



US00D929363S

(12) **United States Design Patent** (10) **Patent No.:** **US D929,363 S**  
**He** (45) **Date of Patent:** **\*\* Aug. 31, 2021**

(54) **SPEAKER**

(71) Applicant: **SHENZHEN QIANHAI PATUOXUN NETWORK AND TECHNOLOGY CO., LTD**, Shenzhen (CN)

(72) Inventor: **Yue He**, Shenzhen (CN)

(73) Assignee: **SHENZHEN QIANHAI PATUOXUN NETWORK AND TECHNOLOGY CO., LTD**, Shenzhen (CN)

(\*\*) Term: **15 Years**

(21) Appl. No.: **29/750,110**

(22) Filed: **Sep. 11, 2020**

(51) **LOC (13) Cl.** ..... **14-01**

(52) **U.S. Cl.**  
USPC ..... **D14/204**

(58) **Field of Classification Search**  
USPC ..... D14/170-172, 188, 203.1, 203.3, 204, D14/348  
CPC . H04R 1/02; H04R 1/023; H04R 5/02; H04R 7/00; H04R 7/02; H04R 9/06; H04R 2400/00  
See application file for complete search history.

(56) **References Cited**

**U.S. PATENT DOCUMENTS**

D725,463 S \* 3/2015 Kuo ..... D9/414  
D760,645 S \* 7/2016 Chen ..... D13/103

D771,592 S \* 11/2016 Cloarec ..... D14/212  
D773,389 S \* 12/2016 Miller ..... D13/103  
D777,146 S \* 1/2017 Cheng ..... D14/221  
D780,113 S \* 2/2017 Xianxi ..... D13/103  
D800,095 S 10/2017 Yao  
D836,605 S \* 12/2018 Kim ..... D14/215  
D886,080 S 6/2020 Yang

\* cited by examiner

*Primary Examiner* — Janice Patyk

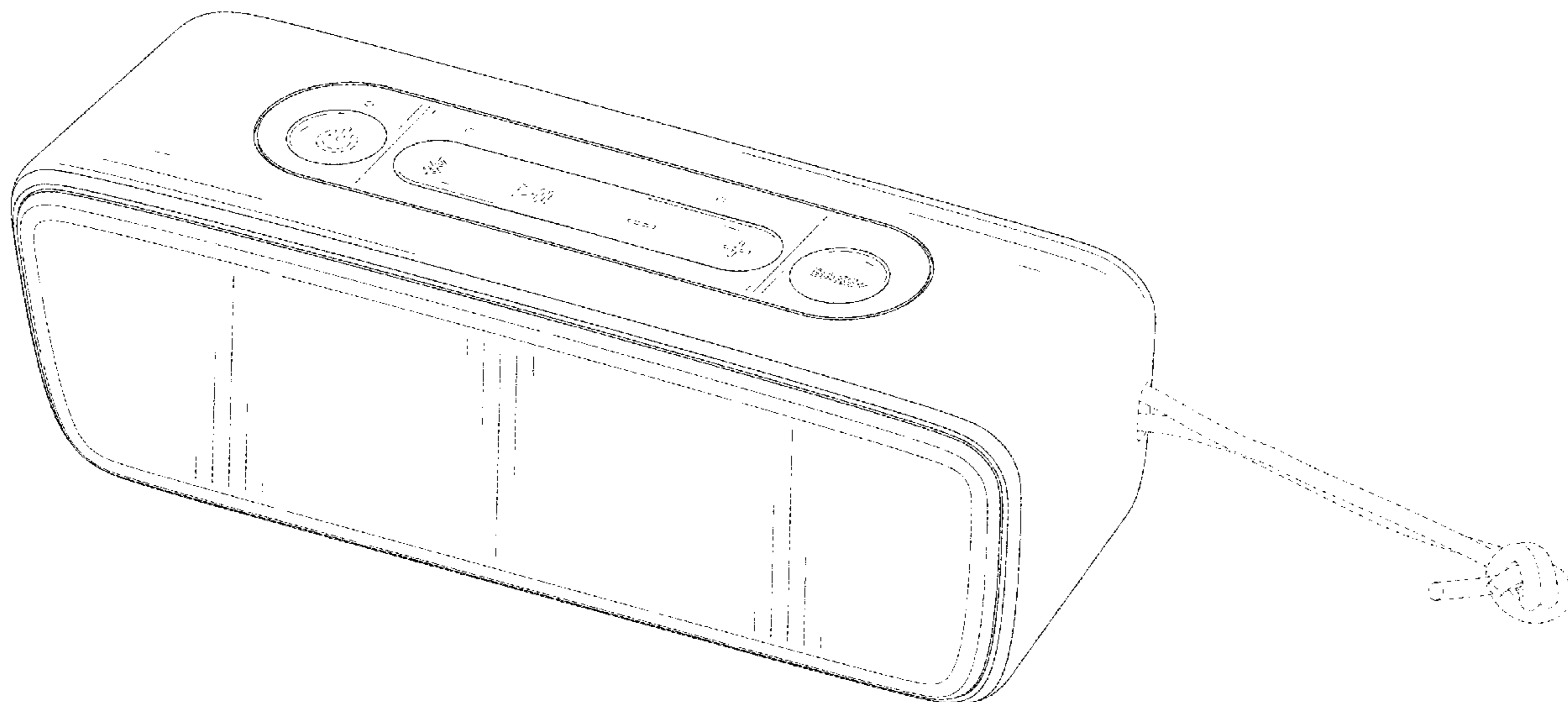
(57) **CLAIM**

The ornamental design for a speaker, as shown and described.

**DESCRIPTION**

FIG. 1 is a perspective view of a speaker showing my new design;  
FIG. 2 is another perspective view thereof;  
FIG. 3 is a front elevational view thereof;  
FIG. 4 is a rear elevational view thereof;  
FIG. 5 is a left side elevational view thereof;  
FIG. 6 is a right side elevational view thereof;  
FIG. 7 is a top plan view thereof; and,  
FIG. 8 is a bottom plan view thereof.  
The broken lines in the drawings depict portions of the speaker that form no part of the claimed design.

**1 Claim, 8 Drawing Sheets**



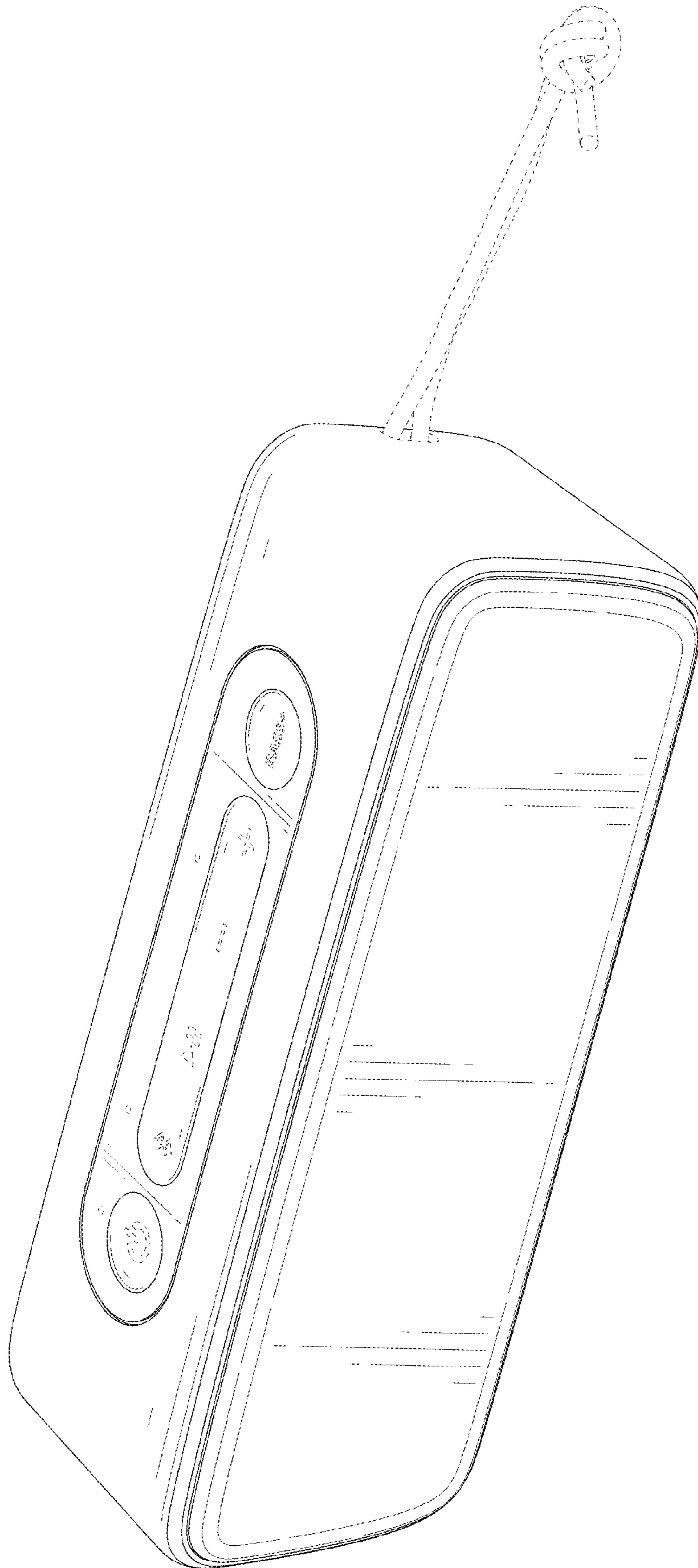


FIG. 1

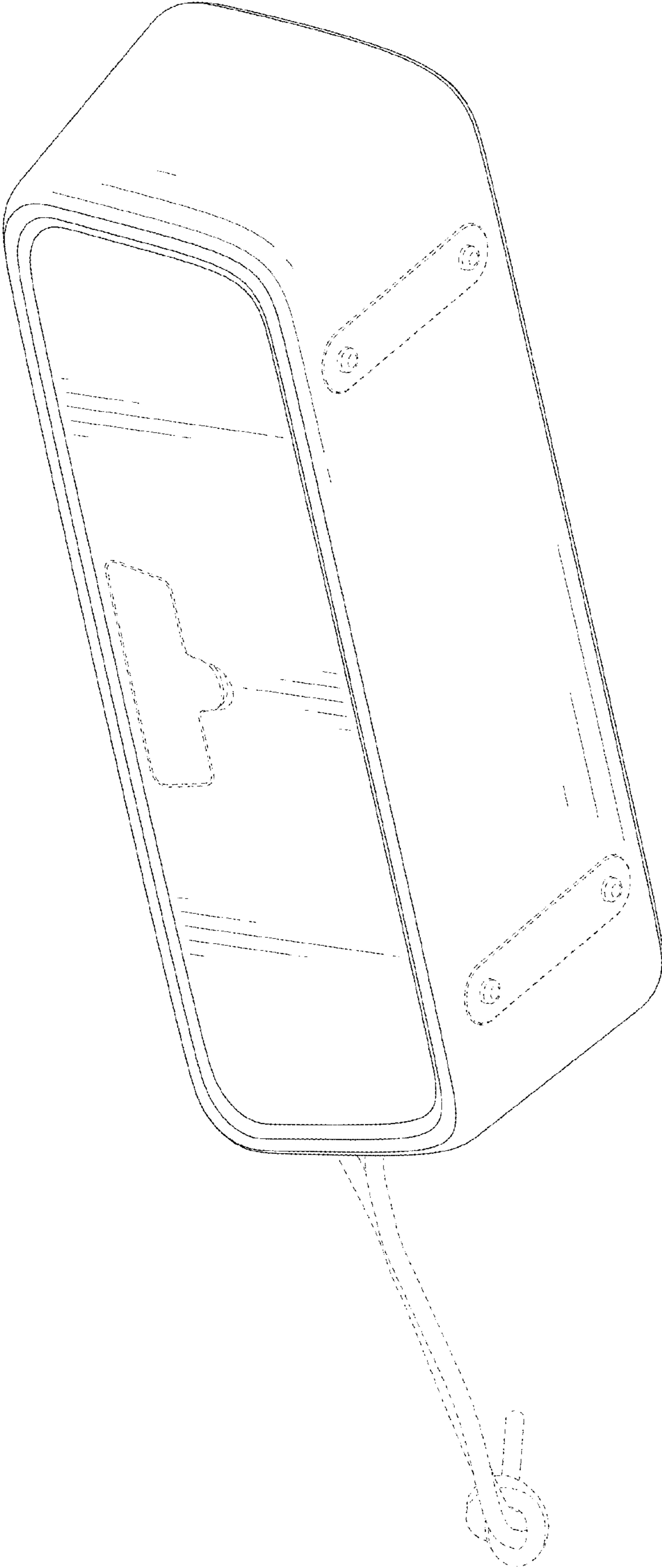


FIG. 2

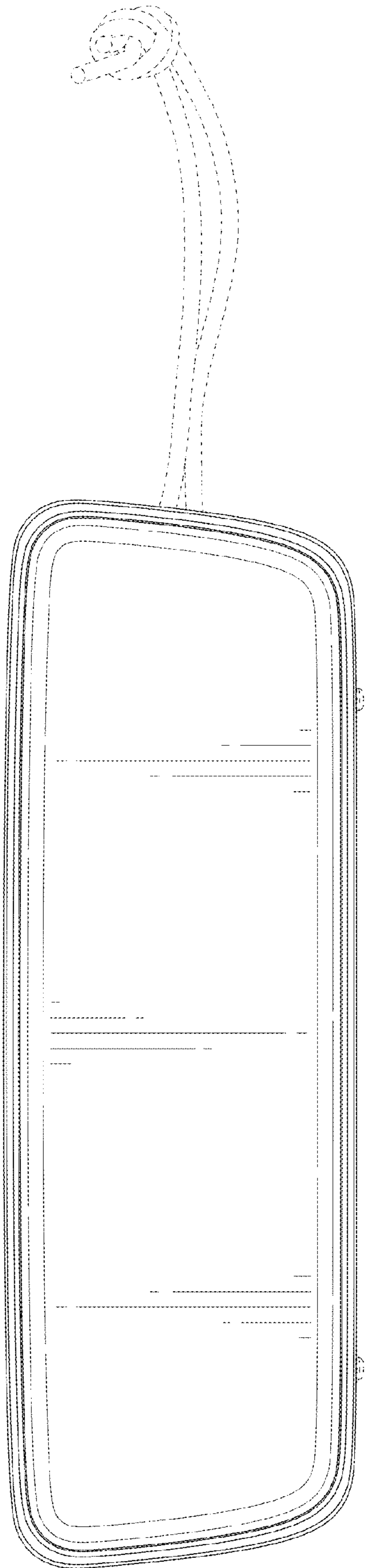


FIG. 3

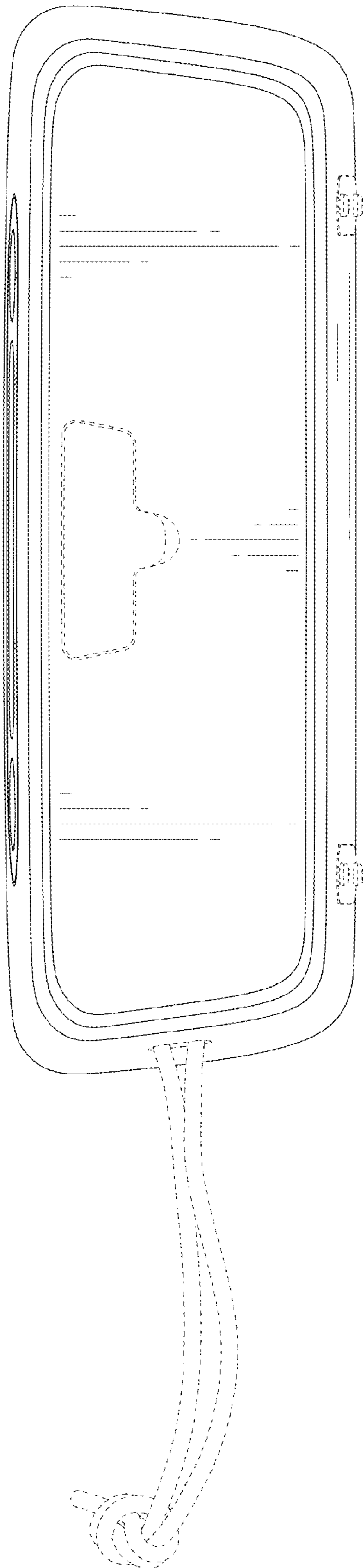


FIG. 4

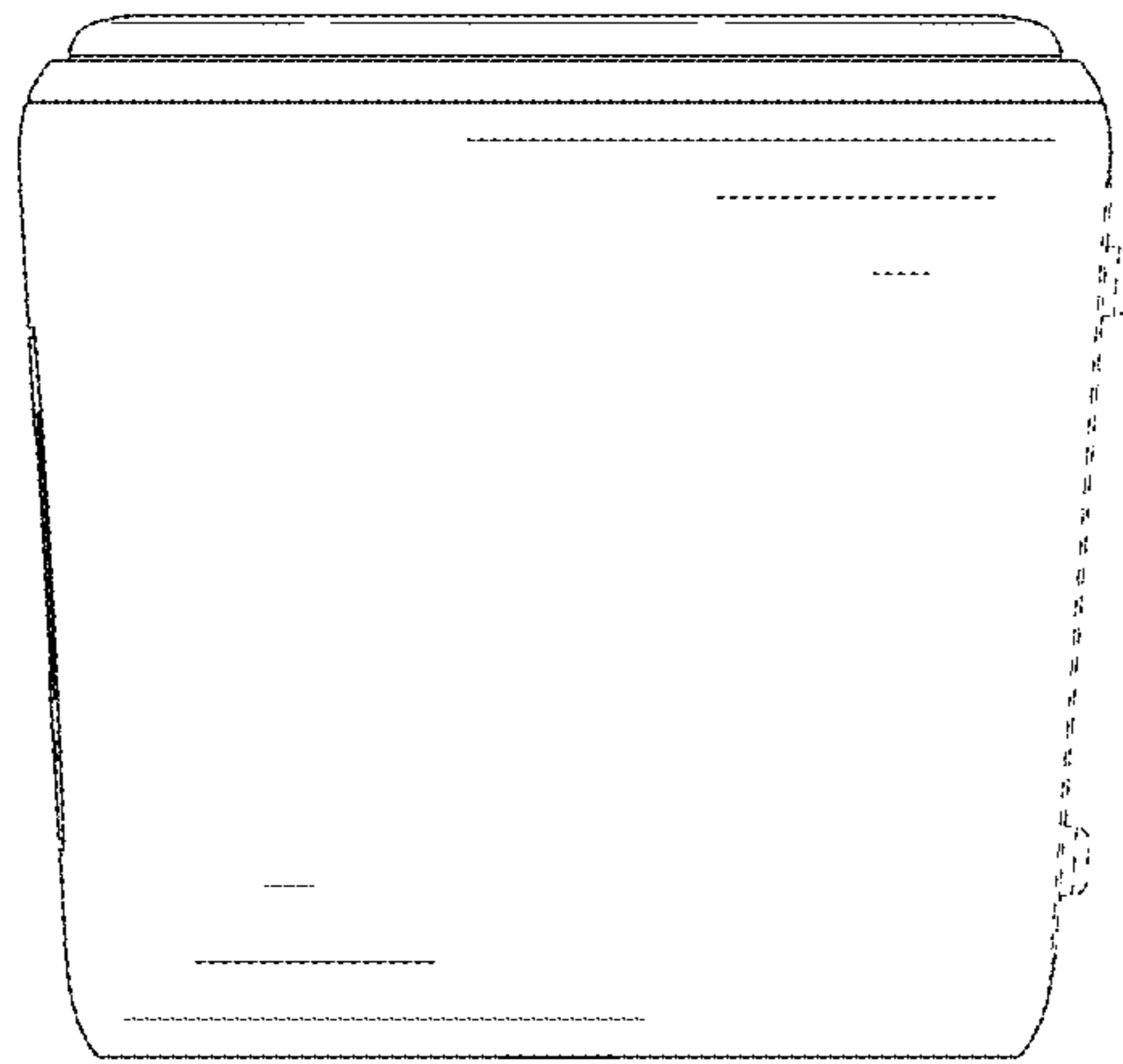


FIG. 5

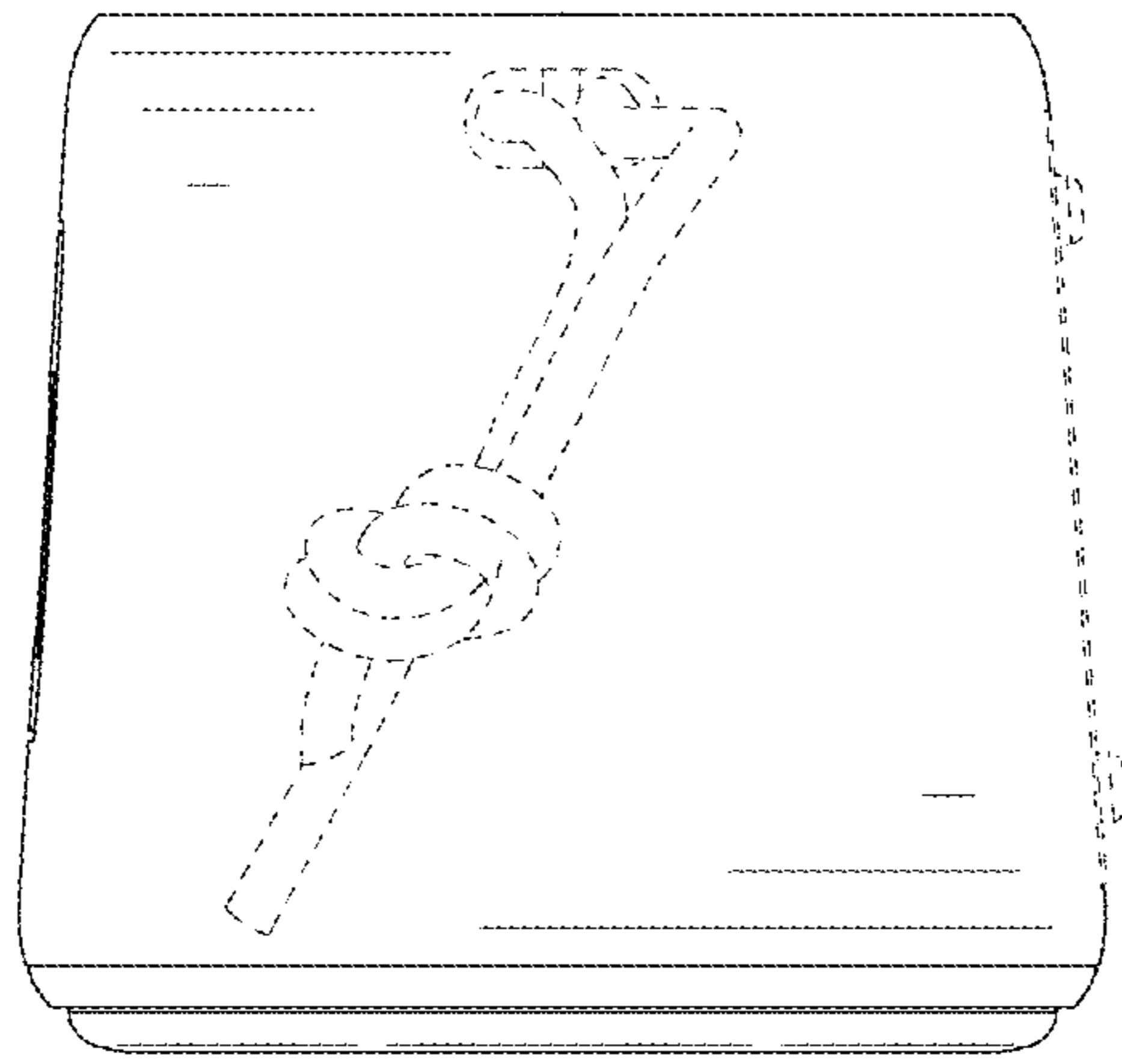


FIG. 6

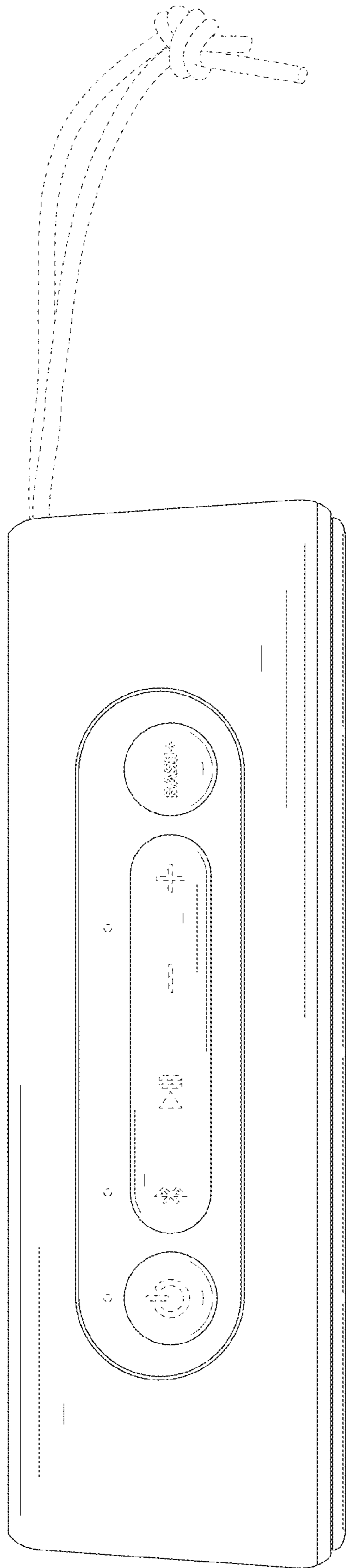


FIG. 7



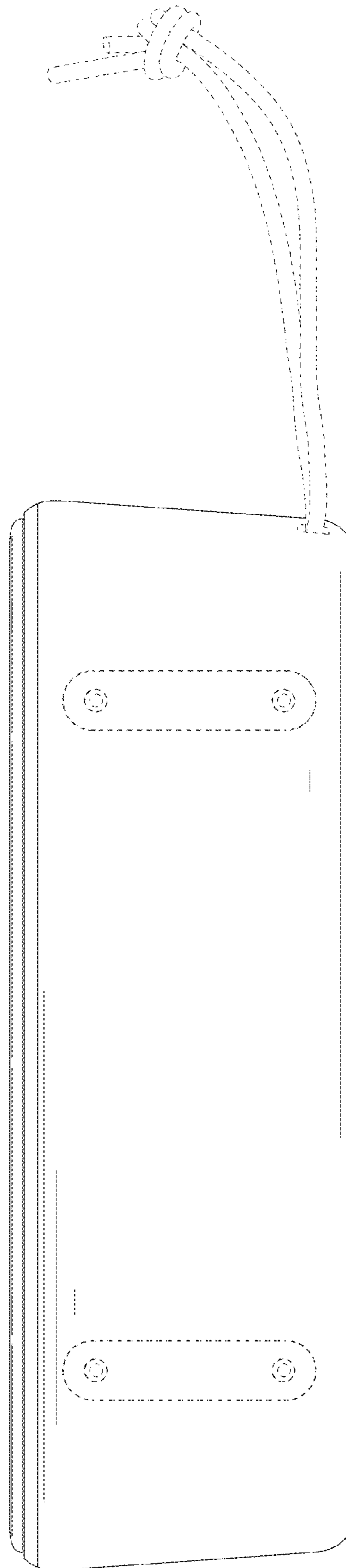


FIG. 8