



US00D929362S

(12) **United States Design Patent** (10) **Patent No.:** **US D929,362 S**
Bringman et al. (45) **Date of Patent:** **** Aug. 31, 2021**

(54) **SPEAKER**
(71) Applicant: **Zound Industries International AB**,
Stockholm (SE)
(72) Inventors: **Ebba Bringman**, Hagersten (SE);
Kenny Wong, Stockholm (SE)
(73) Assignee: **Marshall Amplification PLC**, Milton
Keynes (GB)
(**) Term: **15 Years**

D636,759 S * 4/2011 Chen D14/214
D655,691 S * 3/2012 Stewart, Jr. D14/214
D692,848 S * 11/2013 Poandl D14/172
D715,258 S * 10/2014 Osborn D14/214
D719,933 S * 12/2014 Kane D14/194
D728,515 S * 5/2015 Lee D14/209.1
D740,788 S * 10/2015 Kim D14/214
D754,103 S * 4/2016 Fischer D14/214
D771,017 S * 11/2016 Sasaki D14/214
D793,992 S * 8/2017 Peace D14/214
D832,820 S 11/2018 Norell
837,185 A1 1/2019 Enqvist
894,870 A1 9/2020 Wong

(21) Appl. No.: **29/671,161**
(22) Filed: **Nov. 23, 2018**
(30) **Foreign Application Priority Data**
May 24, 2018 (EM) 005280666-0002
(51) **LOC (13) Cl.** **14-01**
(52) **U.S. Cl.**
USPC **D14/204**
(58) **Field of Classification Search**
USPC D14/188, 192, 203.1–203.8, 204,
D14/210–213, 215, 216, 348; 181/143,
181/144, 148, 153, 157, 198, 199;
369/6–12; 381/300–303, 361–364, 366,
381/386–388
CPC H04R 1/02; H04R 1/021; H04R 1/025;
H04R 1/026; H04R 5/00; H04R 9/06;
H04R 19/013; H04R 2400/00
See application file for complete search history.

(56) **References Cited**
U.S. PATENT DOCUMENTS
D284,580 S * 7/1986 Scholz D17/20
D379,183 S * 5/1997 Lin D14/214
D439,237 S * 3/2001 Felix D14/214
D542,775 S * 5/2007 Yuyama D14/214
D568,293 S * 5/2008 Sawhney D14/214
D597,064 S * 7/2009 Machida D14/167

OTHER PUBLICATIONS

U.S. Appl. No. 29/745,156, filed Aug. 4, 2020, Kenny Hugooh
Wong.
U.S. Appl. No. 29/671,160, filed Nov. 23, 2018, Ebba Bringman.
U.S. Appl. No. 29/697,097, filed Jul. 3, 2019, Martin Edlund.

* cited by examiner

Primary Examiner — Janice Patyk
(74) *Attorney, Agent, or Firm* — Alonzo & Associates;
Arlyn Alonzo

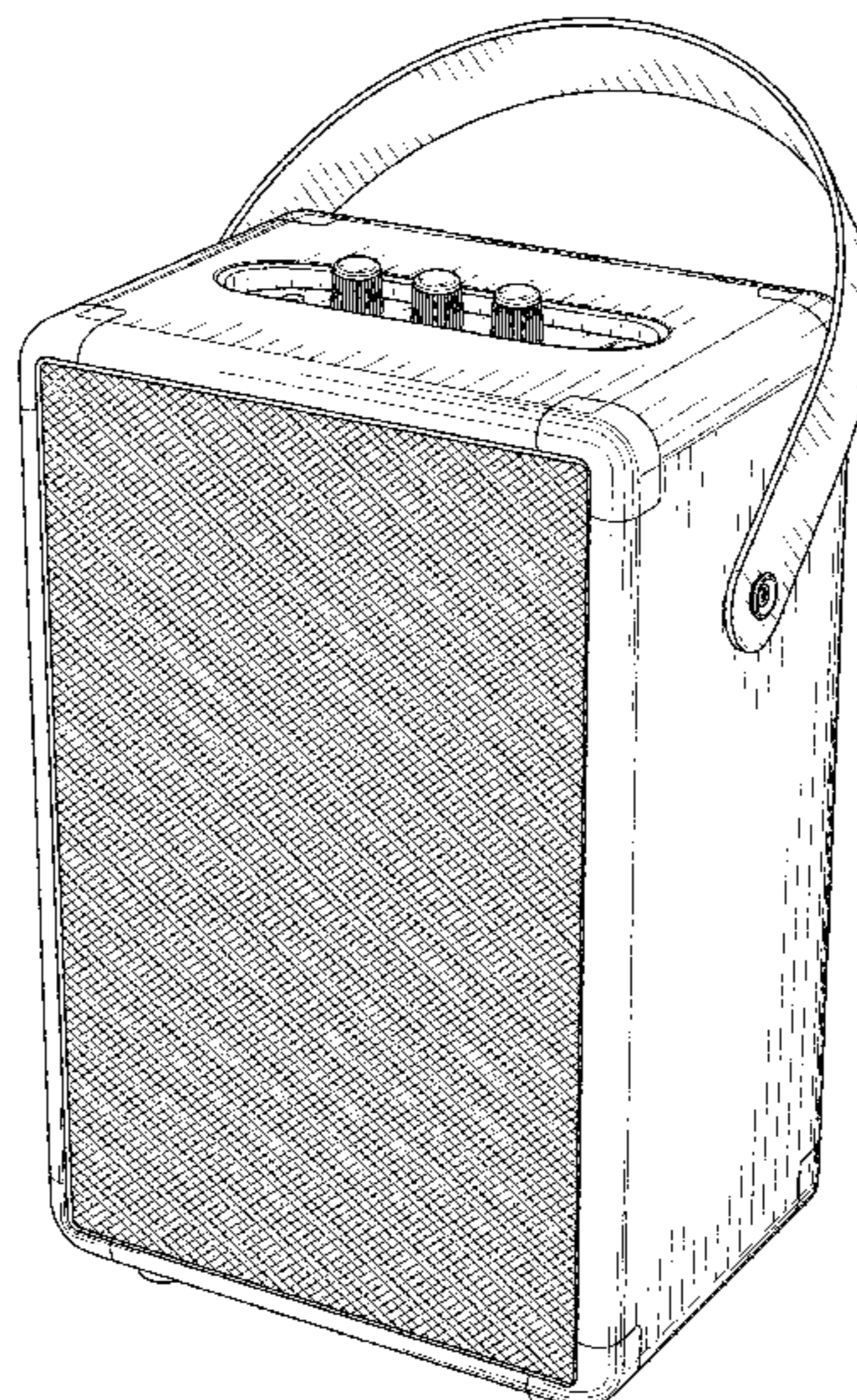
(57) **CLAIM**

The ornamental design for a speaker, as shown and
described.

DESCRIPTION

FIG. 1 is a perspective view of a speaker, showing our new
design.
FIG. 2 is a front view thereof.
FIG. 3 is a rear view thereof.
FIG. 4 is a right side view thereof.
FIG. 5 is a left side view thereof.
FIG. 6 is a top view thereof; and,
FIG. 7 is a bottom view thereof.
The broken lines in the figures illustrate the portions of the
design that form no part of the claimed design.

1 Claim, 6 Drawing Sheets



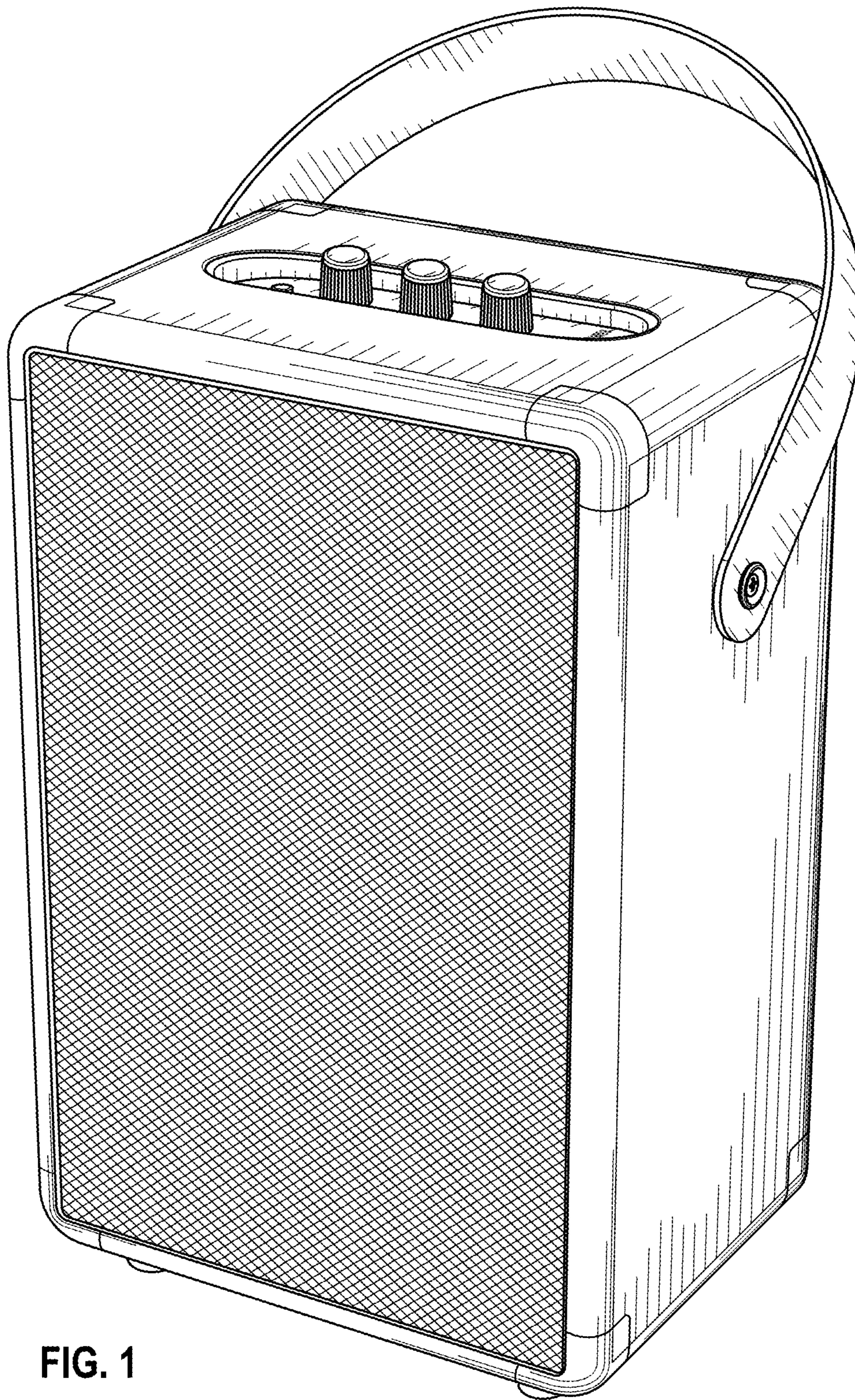


FIG. 1

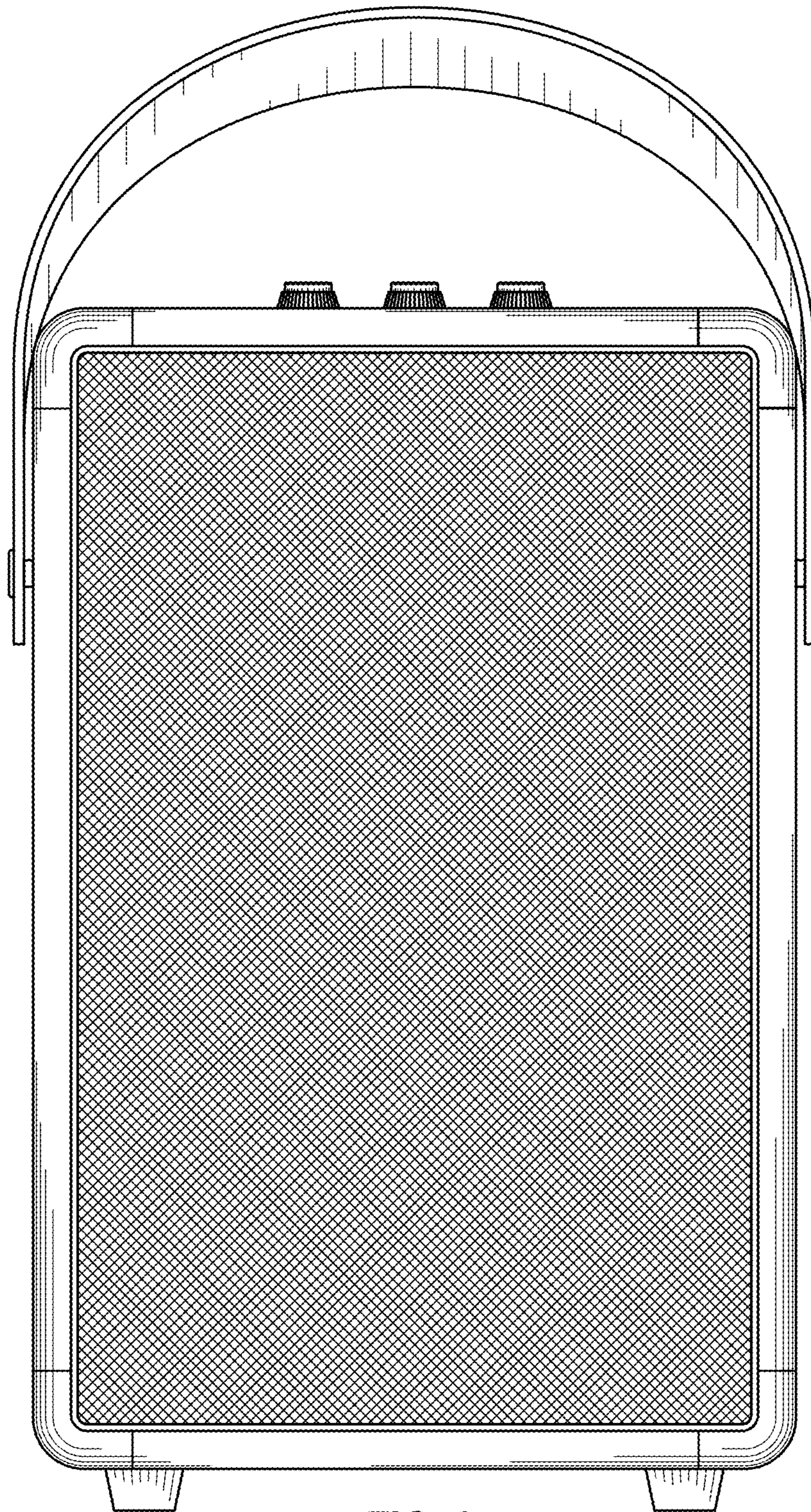


FIG. 2

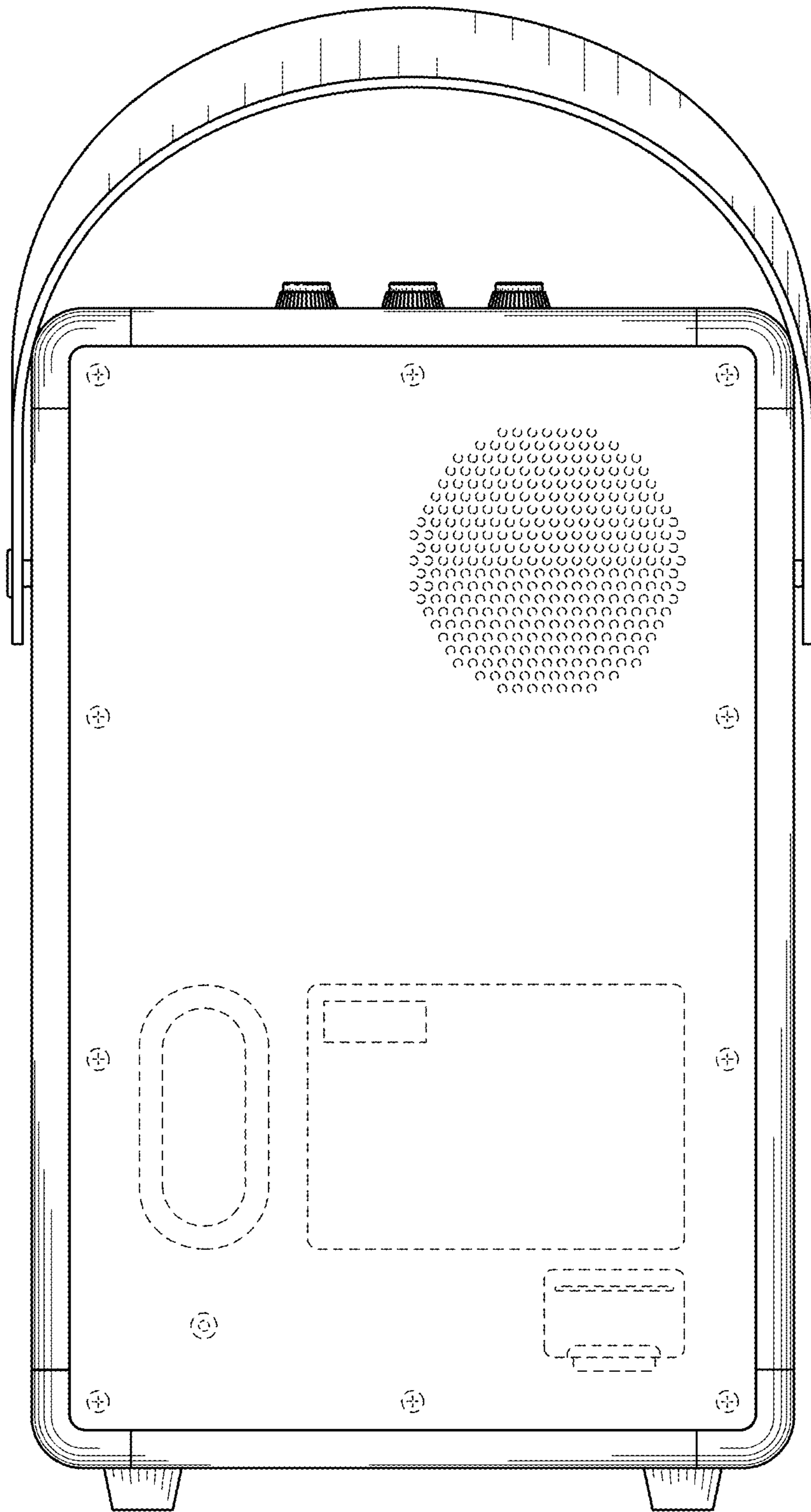


FIG. 3

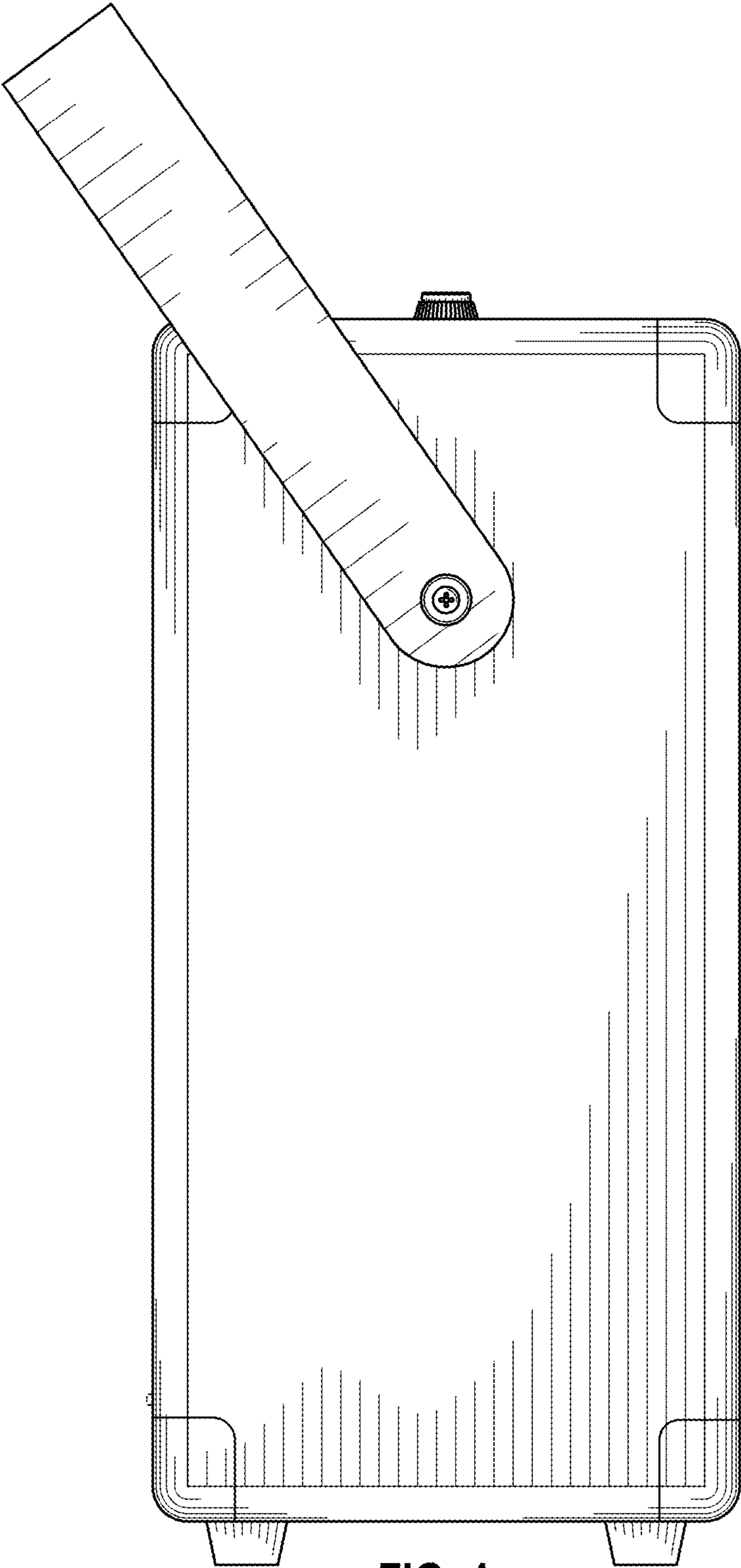


FIG. 4

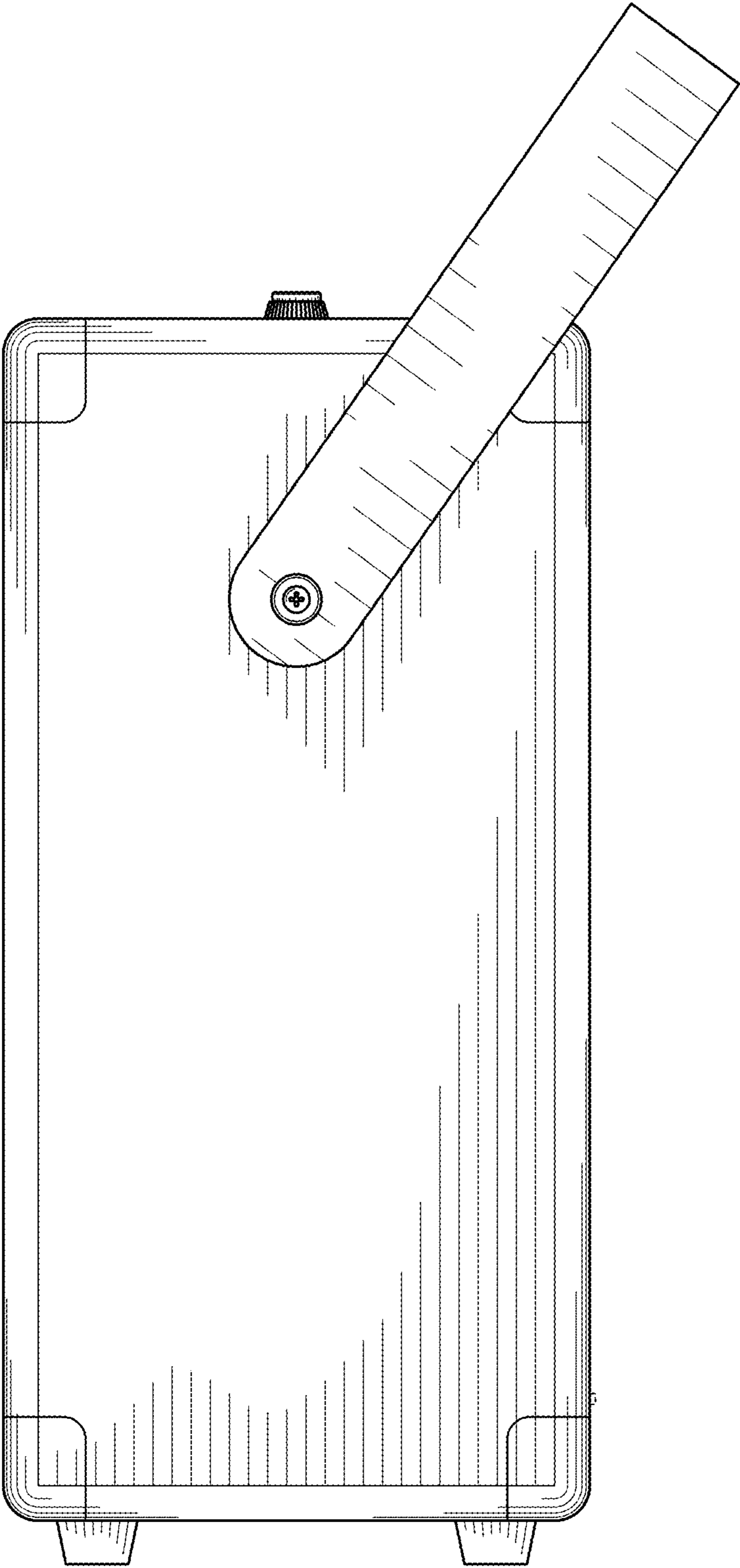


FIG. 5

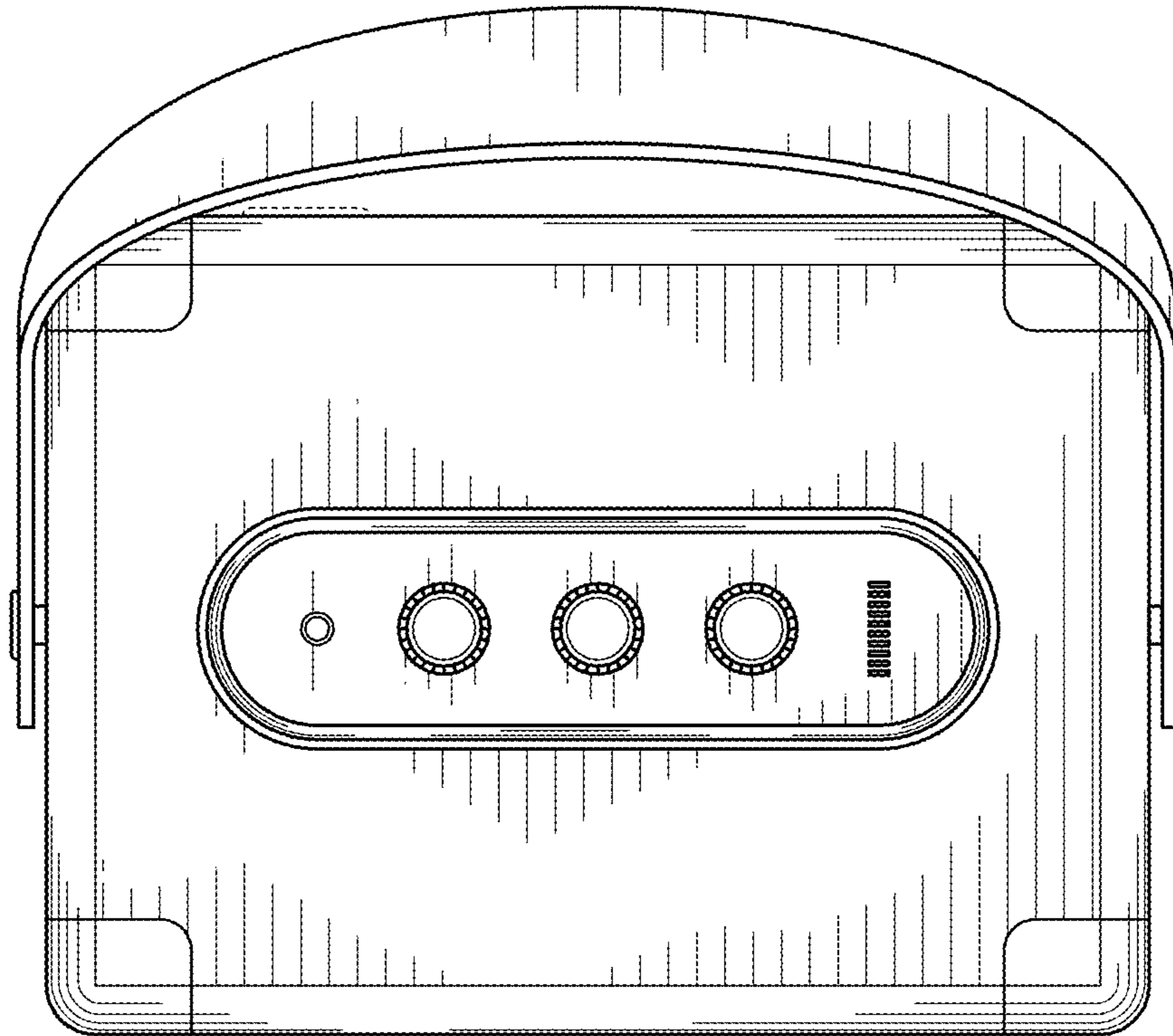


FIG. 6

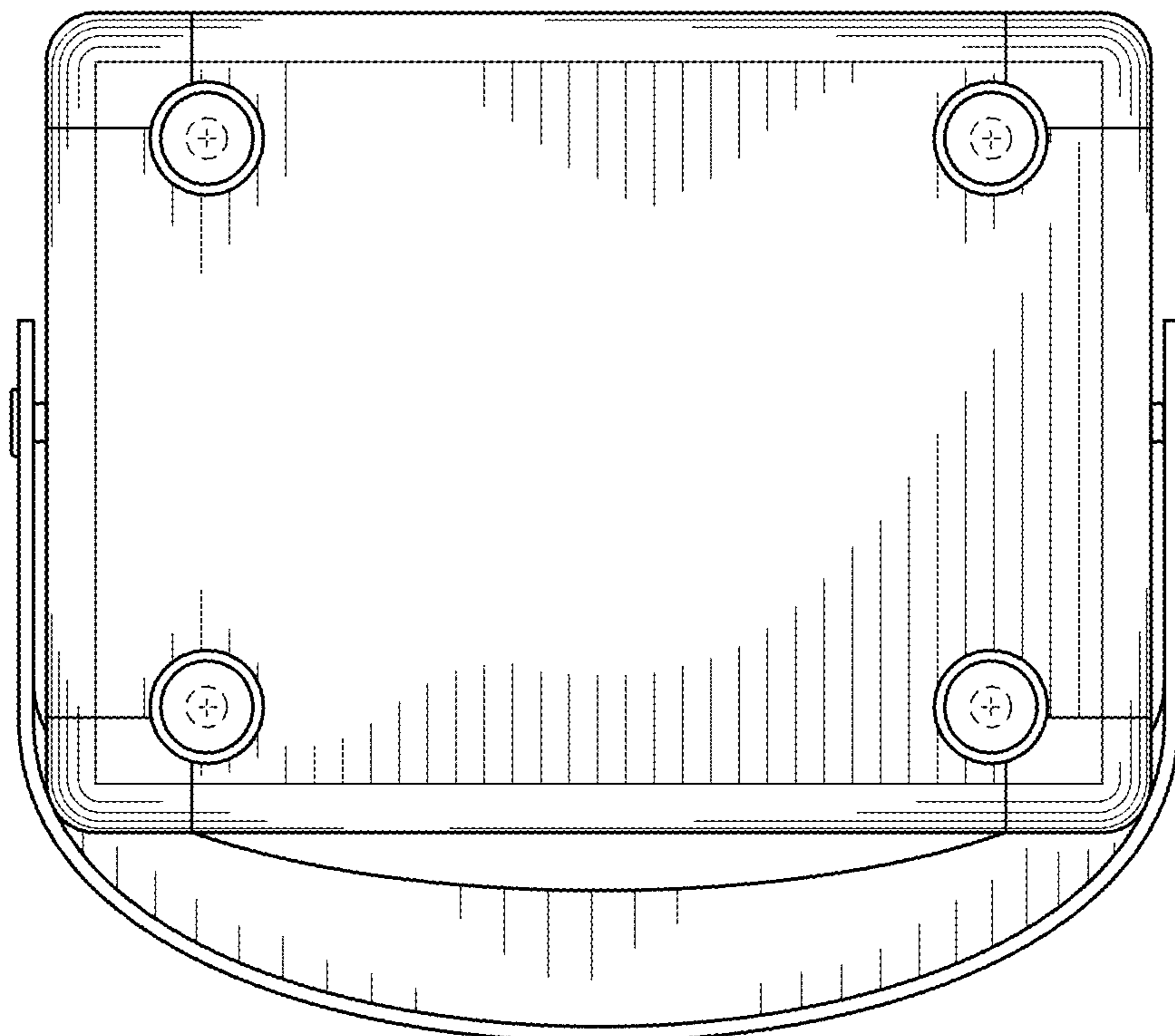


FIG. 7