



US00D929361S

(12) **United States Design Patent**
Bringman et al.

(10) **Patent No.:** **US D929,361 S**

(45) **Date of Patent:** **** Aug. 31, 2021**

(54) **SPEAKER**

(71) Applicant: **Zound Industries International AB**,
Stockholm (SE)

(72) Inventors: **Ebba Bringman**, Hagersten (SE);
Kenny Wong, Stockholm (SE)

(73) Assignee: **Marshall Amplification PLC**,
Bletchley (GB)

(**) Term: **15 Years**

(21) Appl. No.: **29/671,160**

(22) Filed: **Nov. 23, 2018**

(30) **Foreign Application Priority Data**

May 24, 2018 (EM) 005280666

(51) **LOC (13) Cl.** **14-01**

(52) **U.S. Cl.**
USPC **D14/204**

(58) **Field of Classification Search**
USPC D14/188, 192, 203.1–203.8, 204,
D14/210–213, 215, 216, 348; 181/143,
181/144, 148, 153, 157, 198, 199;
369/6–12; 381/300–303, 361–364, 366,
381/386–388

CPC H04R 1/02; H04R 1/021; H04R 1/025;
H04R 1/026; H04R 5/00; H04R 9/06;
H04R 19/013; H04R 2400/00

See application file for complete search history.

(56) **References Cited**

U.S. PATENT DOCUMENTS

D284,580 S * 7/1986 Scholz D17/20
D379,183 S * 5/1997 Lin D14/214
D439,237 S * 3/2001 Felix D14/214
D542,775 S * 5/2007 Yuyama D14/214
D568,293 S * 5/2008 Sawhney D14/214

D597,064 S * 7/2009 Machida D14/167
D636,759 S * 4/2011 Chen D14/214
D655,691 S * 3/2012 Stewart, Jr. D14/214
D692,848 S * 11/2013 Poandl D14/172
D715,258 S * 10/2014 Osborn D14/214
D719,933 S * 12/2014 Kane D14/194
D728,515 S * 5/2015 Lee D14/209.1
D740,788 S * 10/2015 Kim D14/214
D754,103 S * 4/2016 Fischer D14/214
D771,017 S * 11/2016 Sasaki D14/214
D793,992 S * 8/2017 Peace D14/214
D832,820 S 11/2018 Norell

(Continued)

OTHER PUBLICATIONS

U.S. Appl. No. 29/745,156, filed Aug. 4, 2020, Kenny Hugooh Wong.

(Continued)

Primary Examiner — Janice Patyk
(74) *Attorney, Agent, or Firm* — Alonzo & Associates;
Arlyn Alonzo

(57) **CLAIM**

The ornamental design for a speaker, as shown and described.

DESCRIPTION

FIG. 1 is a perspective view of a speaker, showing our new design.

FIG. 2 is a front view thereof.

FIG. 3 is a rear view thereof.

FIG. 4 is a right side view thereof.

FIG. 5 is a left side view thereof.

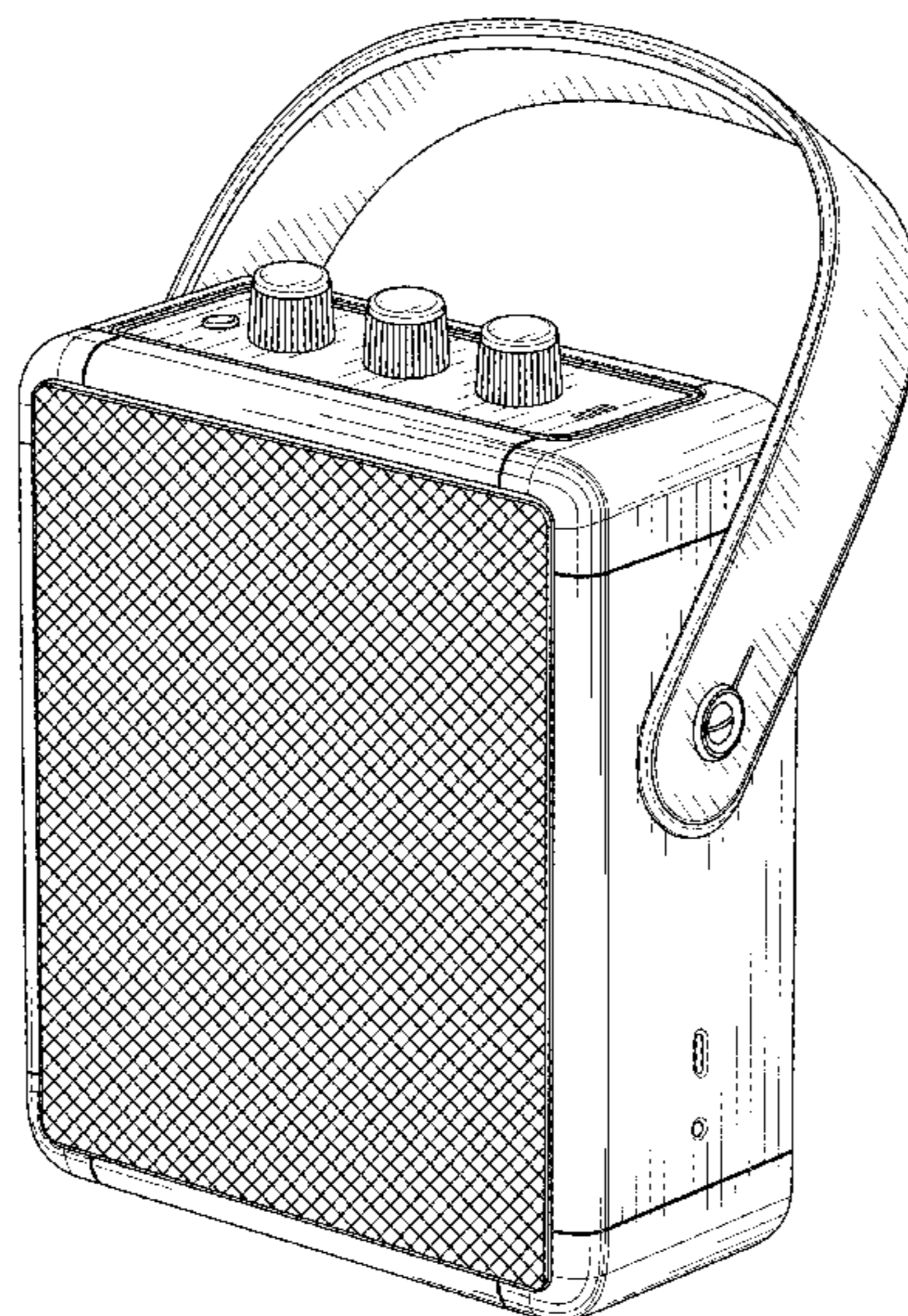
FIG. 6 is a top view thereof; and,

FIG. 7 is a bottom view thereof.

The broken lines in the figures illustrate the portions of the design that form no part of the claimed design.

The broken lines on the handle of FIGS. 1-7 are included to show unclaimed stitching on the article.

1 Claim, 6 Drawing Sheets



(56)

References Cited

U.S. PATENT DOCUMENTS

837,185 A1 1/2019 Enqvist
894,870 A1 9/2020 Wong

OTHER PUBLICATIONS

U.S. Appl. No. 29/671,161, filed Nov. 23, 2018, Ebba Bringman.
U.S. Appl. No. 29/697,097, filed Jul. 3, 2019, Martin Edlund.

* cited by examiner

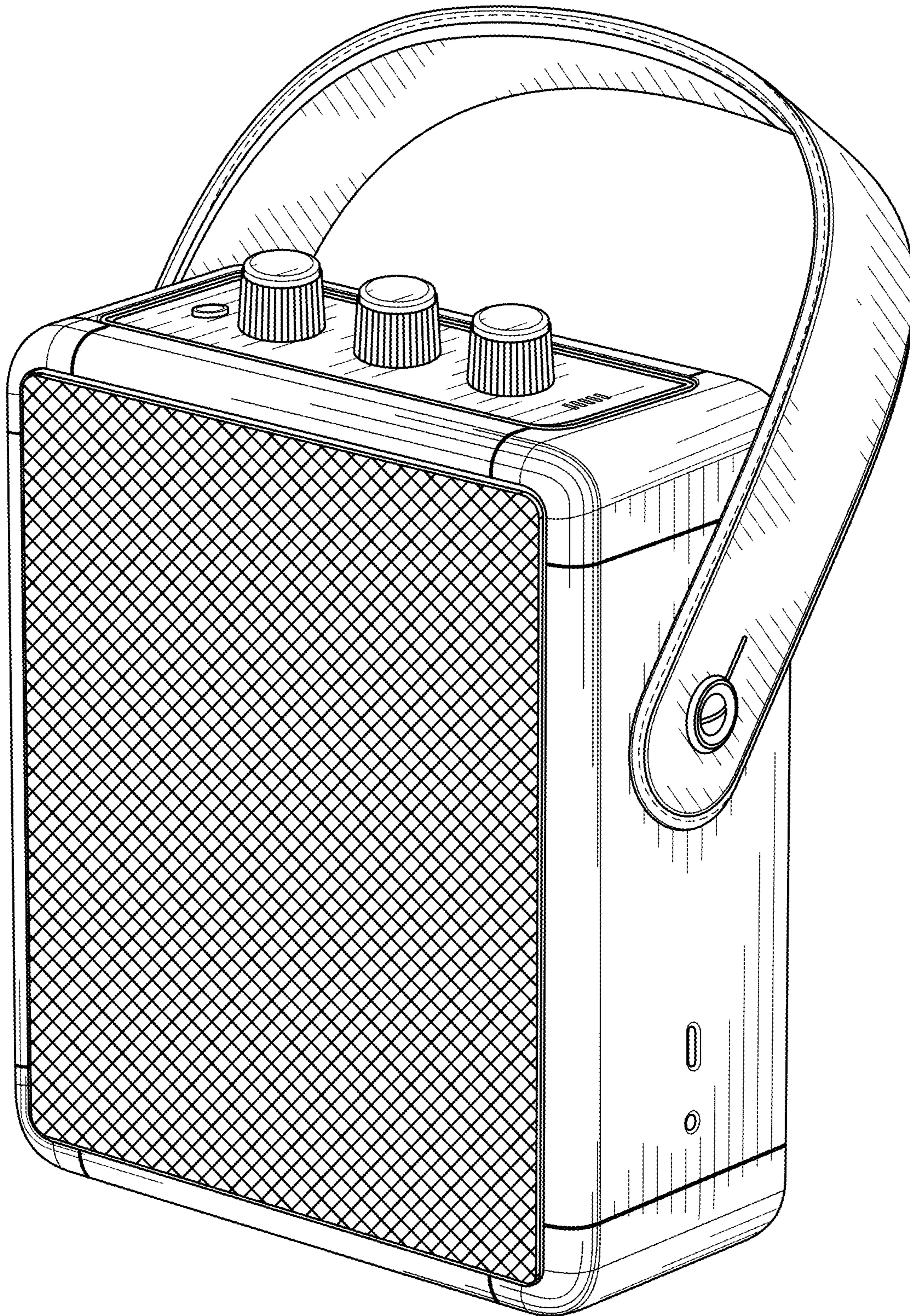


FIG. 1

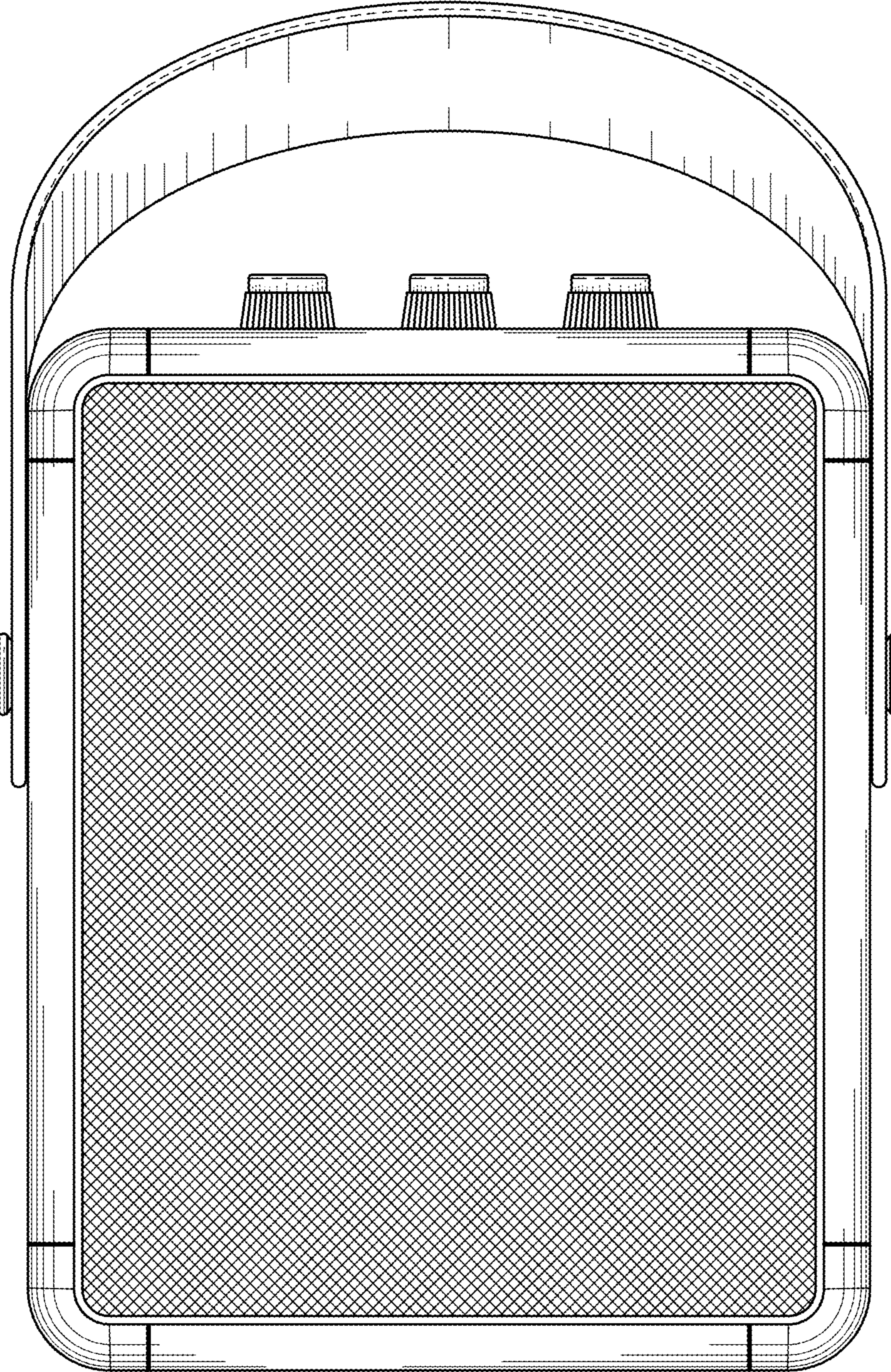


FIG. 2

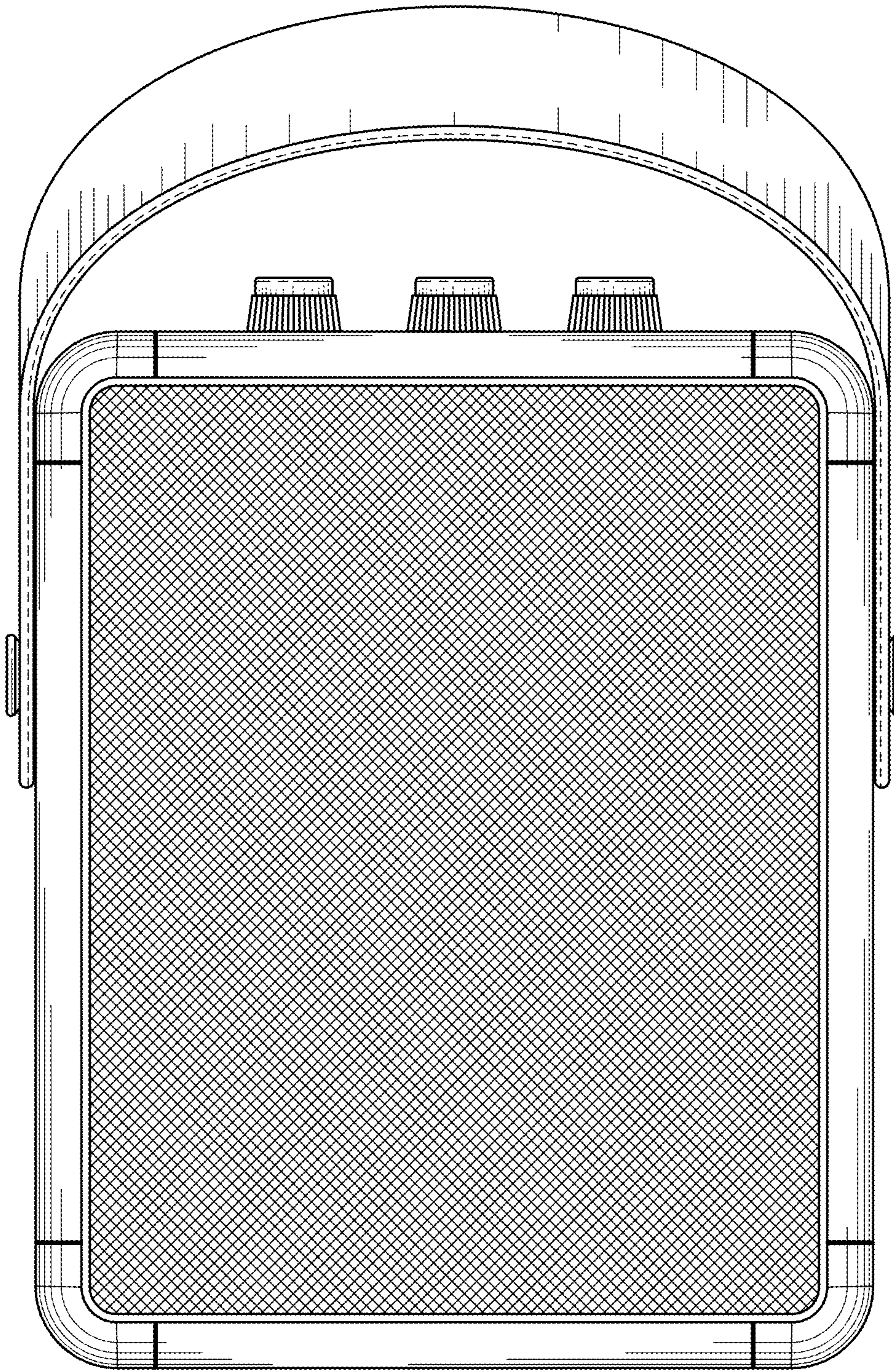


FIG. 3

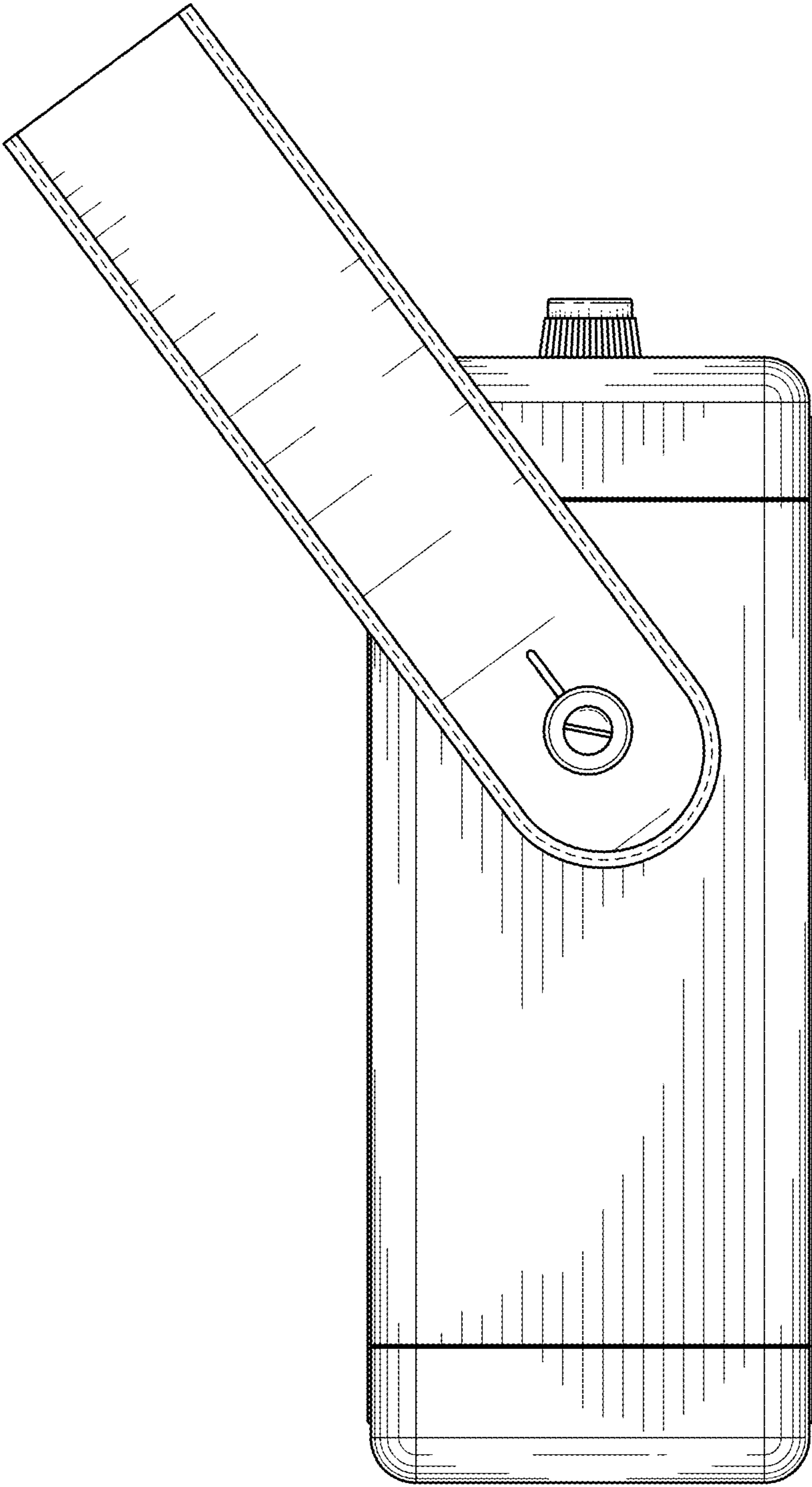


FIG. 4

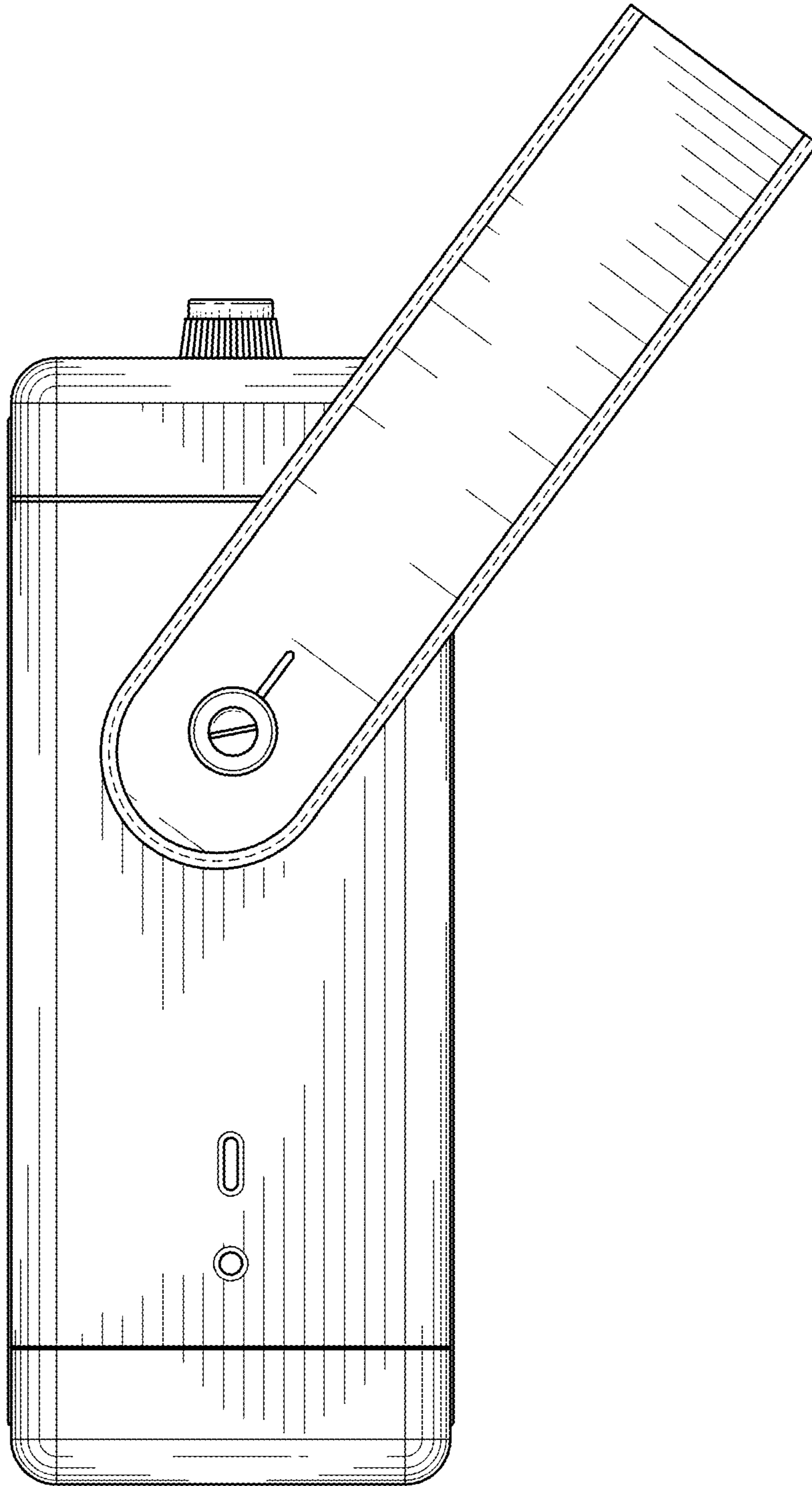


FIG. 5

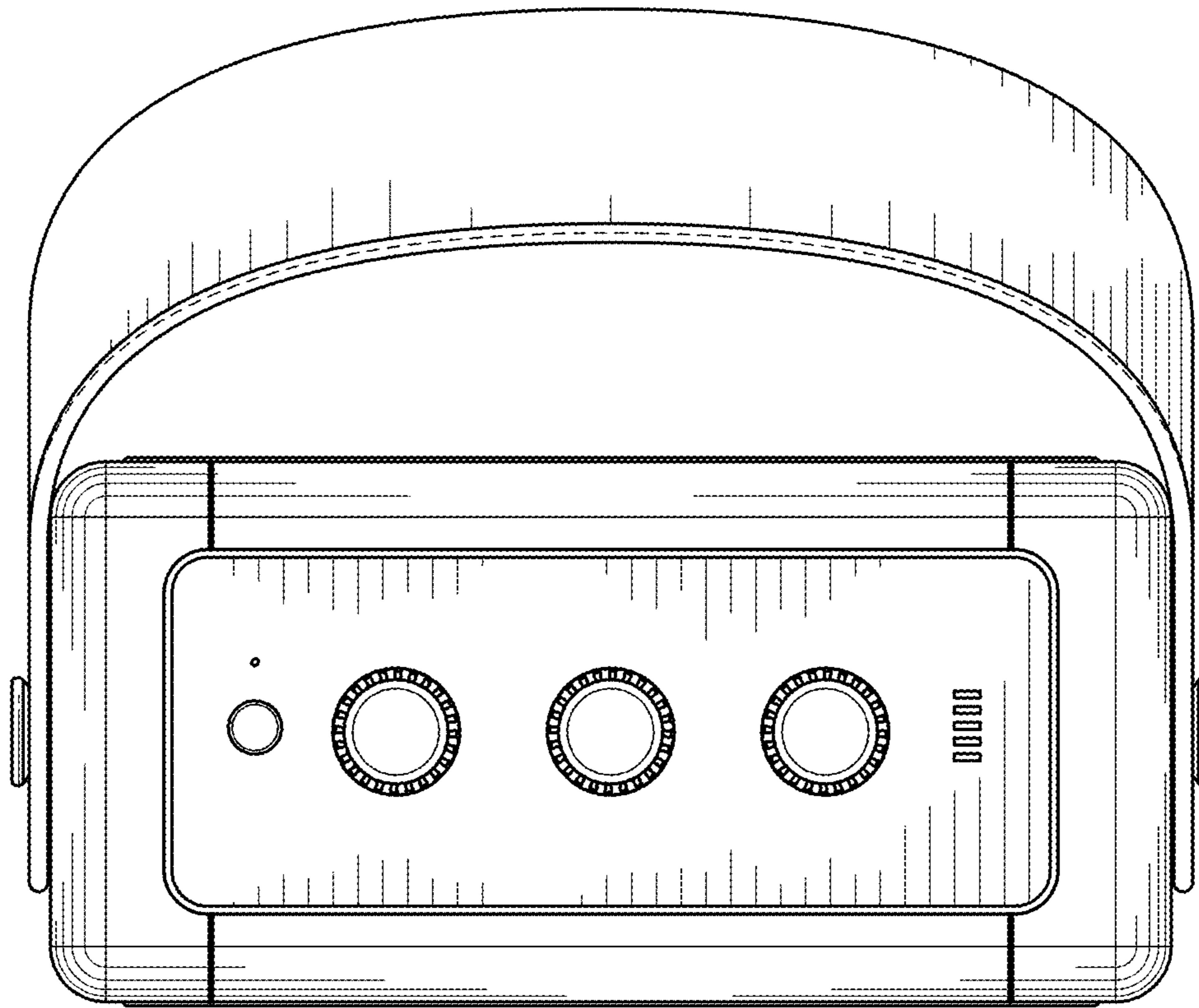


FIG. 6

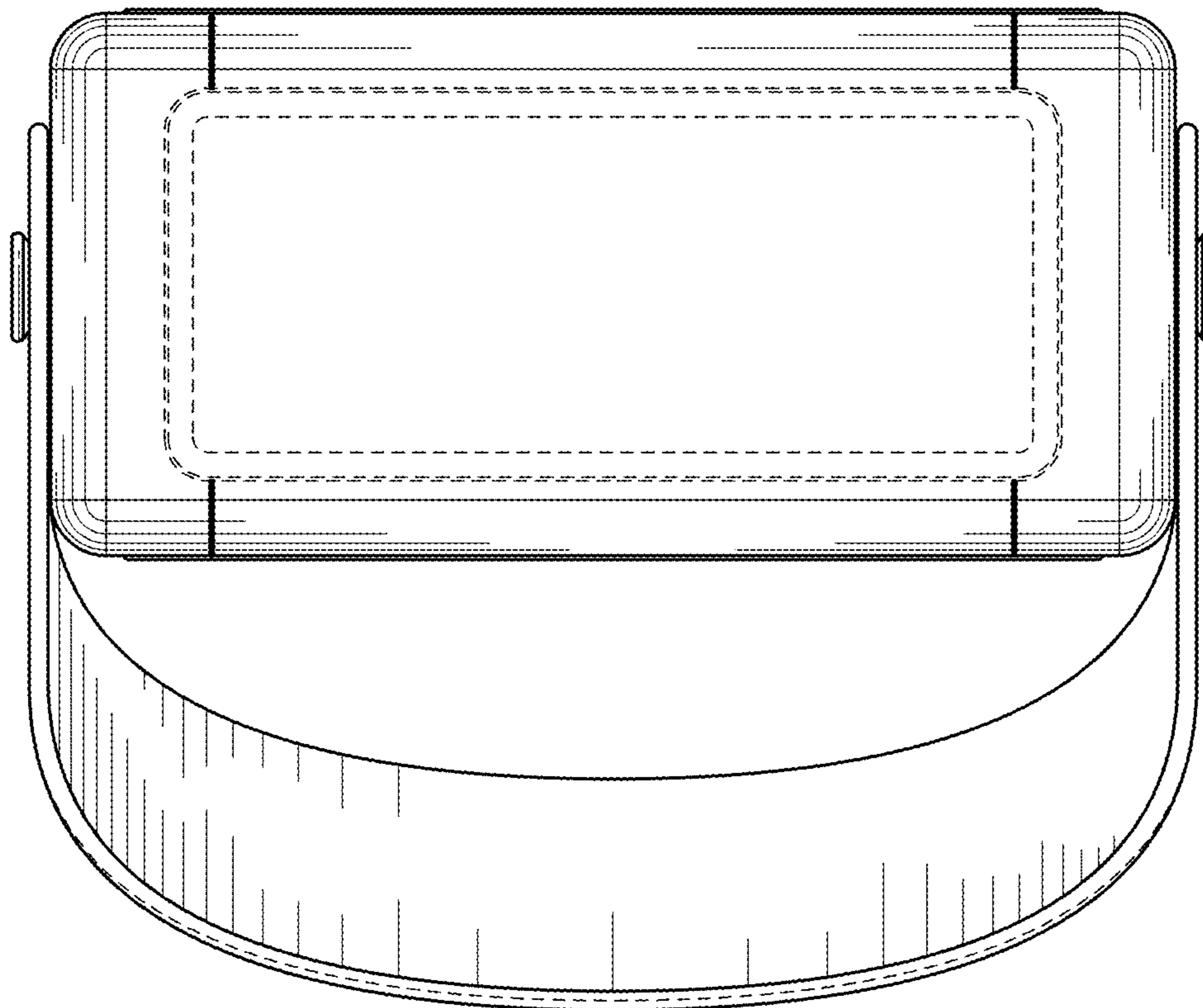


FIG. 7