



US00D929360S

(12) **United States Design Patent** (10) **Patent No.:** **US D929,360 S**  
**Fouché** (45) **Date of Patent:** **\*\* Aug. 31, 2021**

(54) **SOUND AMPLIFIER**  
(71) Applicant: **L-ACOUSTICS**, Marcoussis (FR)  
(72) Inventor: **Régis Fouché**, Marcoussis (FR)  
(\*\*) Term: **15 Years**  
(21) Appl. No.: **35/509,245**  
(22) Filed: **Apr. 16, 2020**

D788,066 S \* 5/2017 Williamson ..... D14/188  
D802,560 S \* 11/2017 Kitazawa ..... D14/214  
D826,892 S \* 8/2018 Kim ..... D14/204  
D839,239 S \* 1/2019 Kim ..... D14/214  
D853,356 S \* 7/2019 Werle ..... D14/216  
D854,516 S \* 7/2019 Usuru ..... D14/214  
D857,646 S \* 8/2019 Eckstein ..... D14/188  
D869,439 S \* 12/2019 Kim ..... D14/214  
D886,777 S \* 6/2020 Bunning ..... D14/204  
D886,799 S \* 6/2020 Yang ..... D14/214

(80) **Hague Agreement Data**  
Int. Filing Date: **Apr. 16, 2020**  
Int. Reg. No.: **DM/207528**  
Int. Reg. Date: **Apr. 16, 2020**  
Int. Reg. Pub. Date: **May 1, 2020**  
(51) **LOC (13) Cl.** ..... **14-03**  
(52) **U.S. Cl.**  
USPC ..... **D14/188**  
(58) **Field of Classification Search**  
USPC ..... D14/172, 188, 194, 203.1, 204, 209.1,  
D14/211, 212, 214, 215, 221  
CPC ..... H04R 2420/07; H04R 5/02; H04R 1/403;  
H04R 2201/028  
See application file for complete search history.

**OTHER PUBLICATIONS**

Meridian to showcase amps and zone controller at ISE, publication date Jan. 31, 2017, [online][site visited Mar. 19, 2021] URL: <https://www.hiddenwires.co.uk/products/Article/meridian-to-showcase-amps-and-zone-controller-at-ise> (Year: 2017).\*  
L-Acoustics unveils Milan-certified LA2XI Install Amplified Controller, publication date Feb. 11, 2020, [online][site visited Mar. 16, 2021] URL: <https://en.soundlightup.com/archives-3/home-news/l-acoustics-unveils-milan-certified-la2xi-install-amplified-controller.html> (Year: 2020).\*

\* cited by examiner

*Primary Examiner* — L. A. Grabenstetter

(57) **CLAIM**

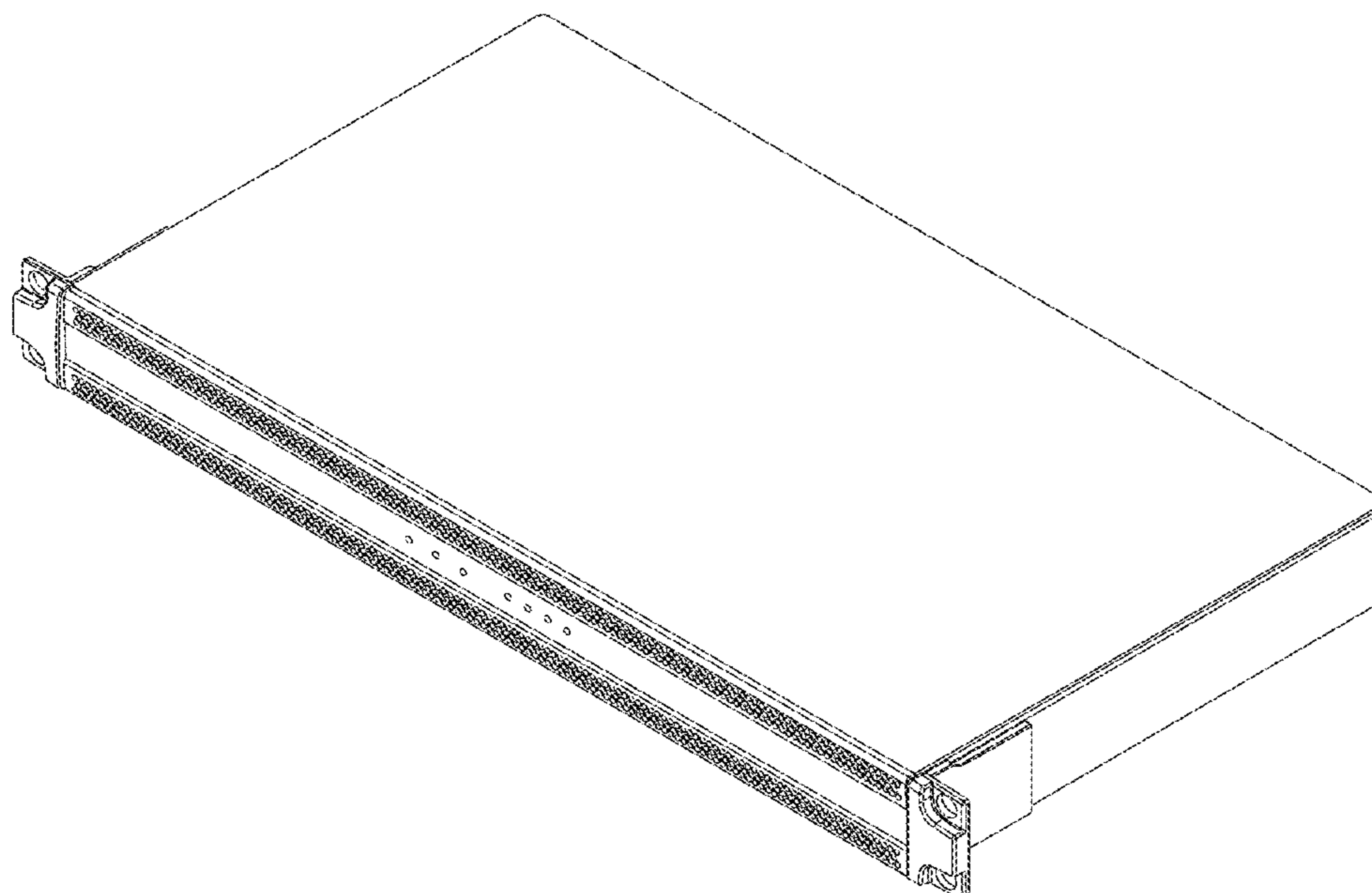
The ornamental design for a sound amplifier, as shown and described.

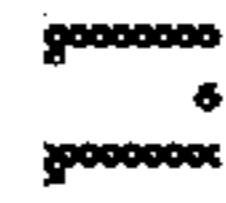
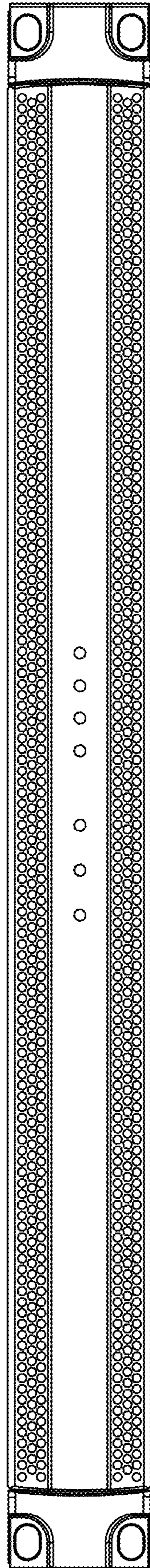
(56) **References Cited**  
U.S. PATENT DOCUMENTS  
D261,883 S \* 11/1981 Russell ..... D14/214  
D567,211 S \* 4/2008 Horinouchi ..... D14/188  
D578,997 S \* 10/2008 Takuma ..... D14/172  
D579,914 S \* 11/2008 Okamura ..... D14/168  
D710,821 S \* 8/2014 Marklund ..... D14/188  
D724,558 S \* 3/2015 Bast ..... D14/188  
D746,338 S \* 12/2015 Kim ..... D14/502  
D761,231 S \* 7/2016 Kim ..... D14/214  
D768,109 S \* 10/2016 Ohno ..... D14/204

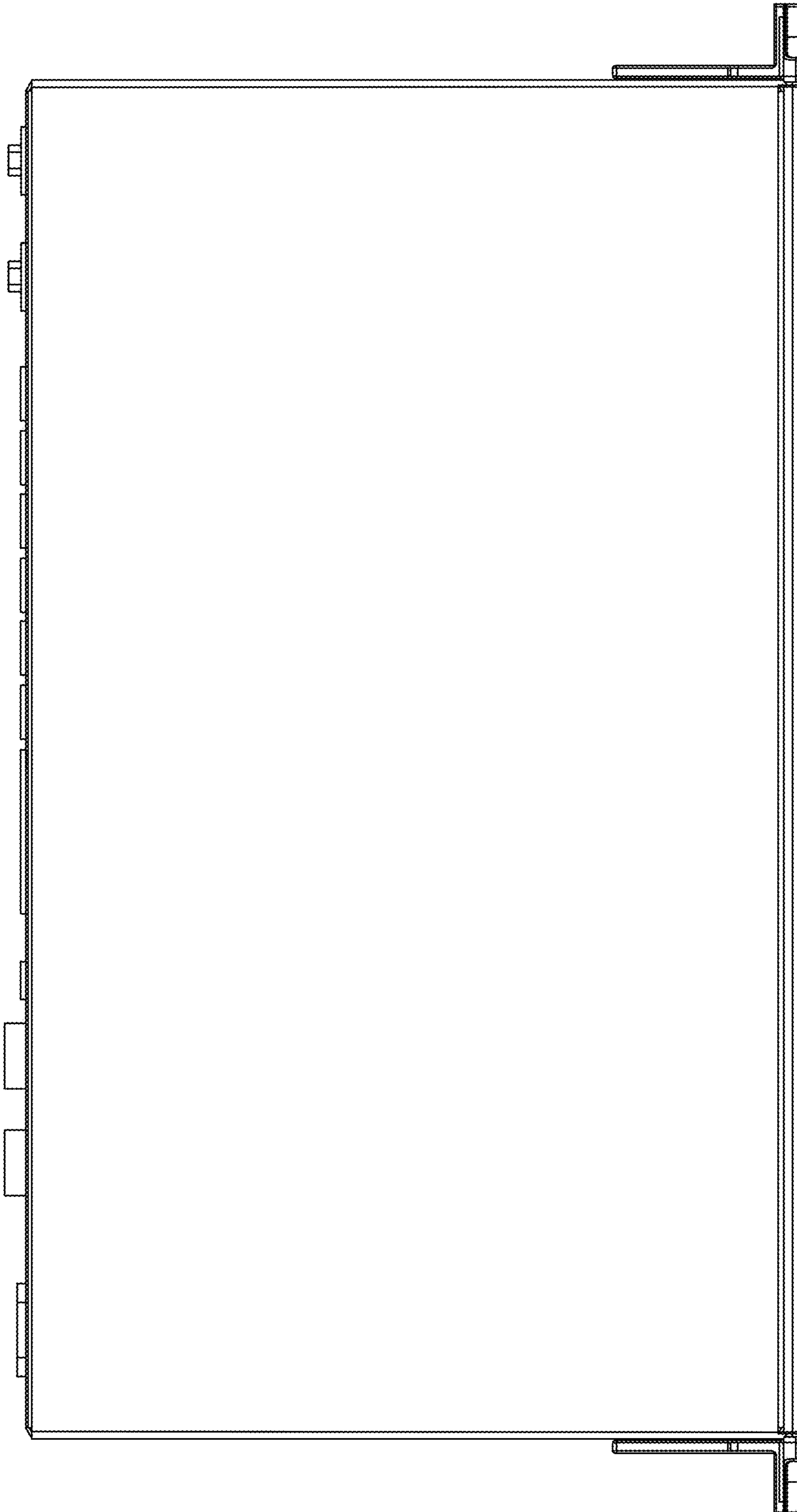
**DESCRIPTION**

1. Sound amplifier  
**1.1** : is a front view of a sound amplifier;  
**1.2** : is a top view thereof;  
**1.3** is a bottom view thereof;  
**1.4** is a left view thereof;  
**1.5** is a right view thereof; and  
**1.6** is a perspective view thereof.

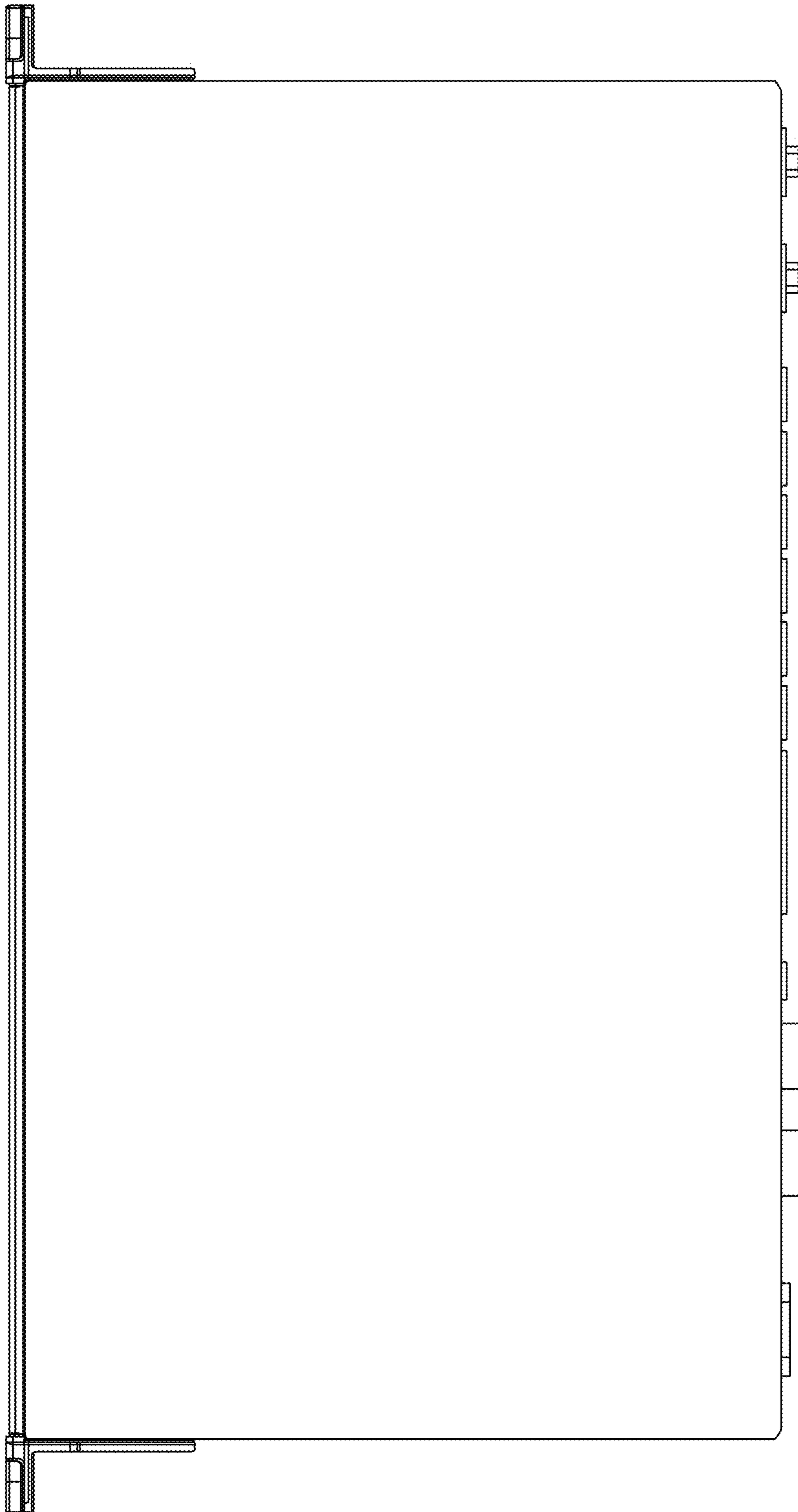
**1 Claim, 6 Drawing Sheets**







1.2



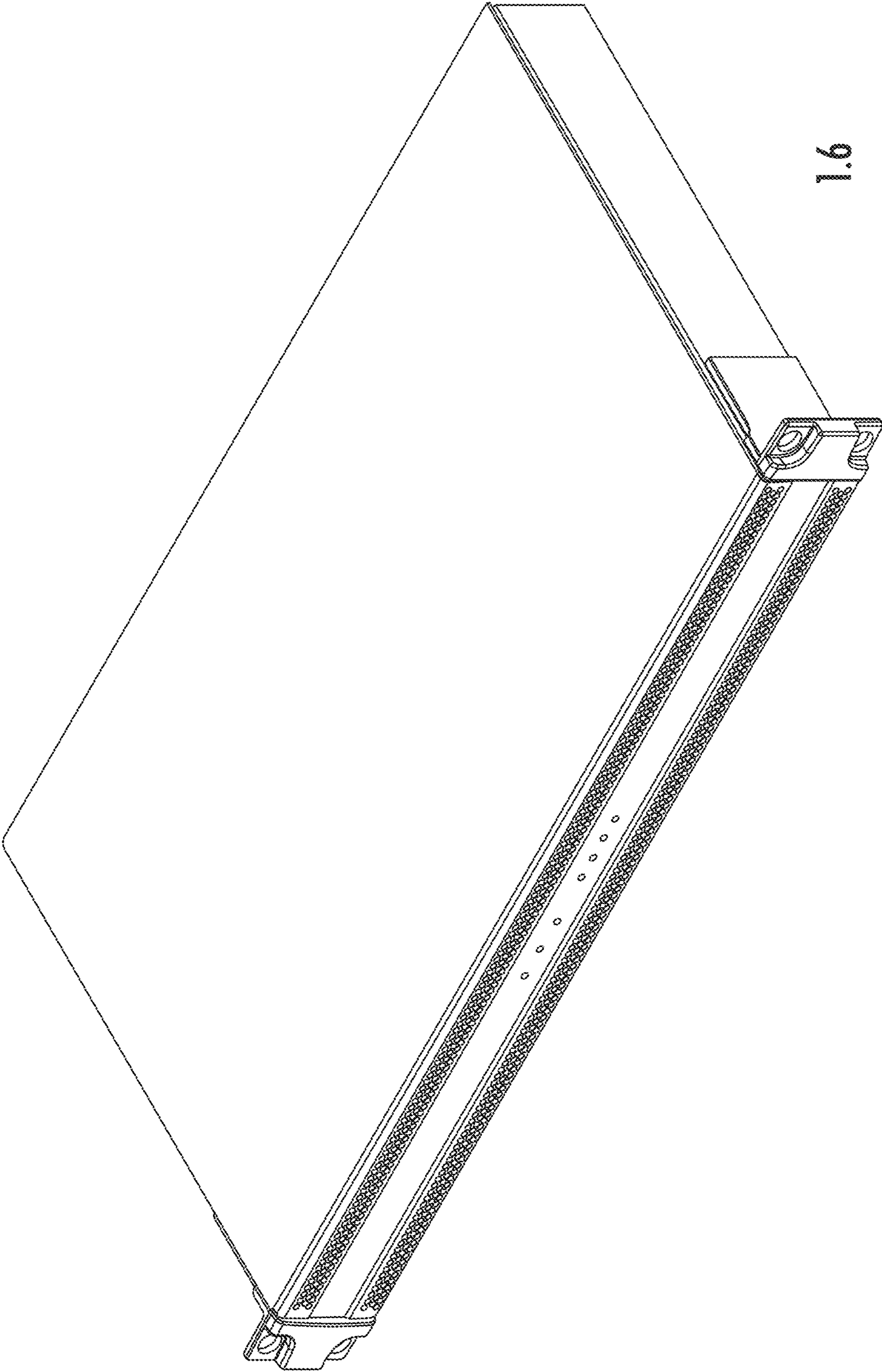
1.3



1.4



1.5



16