



US00D929358S

(12) **United States Design Patent**  
**Peled et al.**

(10) **Patent No.:** **US D929,358 S**

(45) **Date of Patent:** **\*\* Aug. 31, 2021**

(54) **COMMUNICATIONS EQUIPMENT**

(71) Applicant: **AMI GLOBAL**, Las Vegas, NV (US)

(72) Inventors: **Ori Peled**, Las Vegas, NV (US); **Malte Eriksen**, Aalborg (DK)

(73) Assignee: **AMI GLOBAL**, Las Vegas, NV (US)

(\*\*) Term: **15 Years**

(21) Appl. No.: **29/700,265**

(22) Filed: **Aug. 1, 2019**

(30) **Foreign Application Priority Data**

Feb. 1, 2019 (EM) ..... 006144515-0001

(51) **LOC (13) Cl.** ..... **14-03**

(52) **U.S. Cl.**

USPC ..... **D14/155**; D10/53; D10/96; D14/358

(58) **Field of Classification Search**

USPC ..... D14/140, 140.1, 140.6, 240, 242, 125,  
D14/129, 130, 142, 155, 167, 168, 172,  
D14/188, 195, 299, 496, 197, 198, 230,  
D14/348, 351, 356, 357, 358; D10/104.1,  
D10/106.1, 106.6, 116.1, 61, 64, 75,  
D10/106.9, 106.95, 49, 50, 52-58, 96, 46  
CPC ... H04W 88/00; H04W 88/005; H04W 88/02;  
H04W 88/08; H04W 88/085; H04W  
88/10; H04W 88/12; H04W 88/14; H04W  
88/16; H04W 88/18; H04W 4/00; H04W  
4/80; H01C 1/02; H01C 1/2291; H01C  
1/246; H04B 1/38

See application file for complete search history.

(56) **References Cited**

**U.S. PATENT DOCUMENTS**

D277,835 S \* 3/1985 Nonnast ..... D10/81  
D324,514 S \* 3/1992 Ishida ..... D14/358  
D378,900 S \* 4/1997 de Sieyes ..... D10/52

D385,535 S \* 10/1997 Summit ..... D14/242  
D414,128 S \* 9/1999 Toyota ..... D10/104.1  
D417,667 S \* 12/1999 Loubert ..... D14/155  
D436,585 S \* 1/2001 Nuk ..... D14/155  
D440,504 S \* 4/2001 Warner ..... D10/65  
D440,890 S \* 4/2001 Warner ..... D10/65  
D457,084 S \* 5/2002 Pope ..... D10/96  
D483,024 S \* 12/2003 Sanchez ..... D14/155  
D533,534 S \* 12/2006 Brown ..... D14/155  
D535,279 S \* 1/2007 Krieger ..... D14/155  
D580,800 S \* 11/2008 Hauk ..... D10/53  
D586,670 S \* 2/2009 Playford ..... D10/53  
D587,708 S \* 3/2009 Yoshida ..... D14/358  
D589,044 S \* 3/2009 Yoshida ..... D14/358  
D594,456 S \* 6/2009 Huang ..... D14/358  
D595,161 S \* 6/2009 Fisher ..... D10/50

(Continued)

**FOREIGN PATENT DOCUMENTS**

EP 3691224 A1 \* 8/2020 ..... H04L 67/2842

*Primary Examiner* — Marie D. Fast Horse

(74) *Attorney, Agent, or Firm* — Lathrop GPM LLP

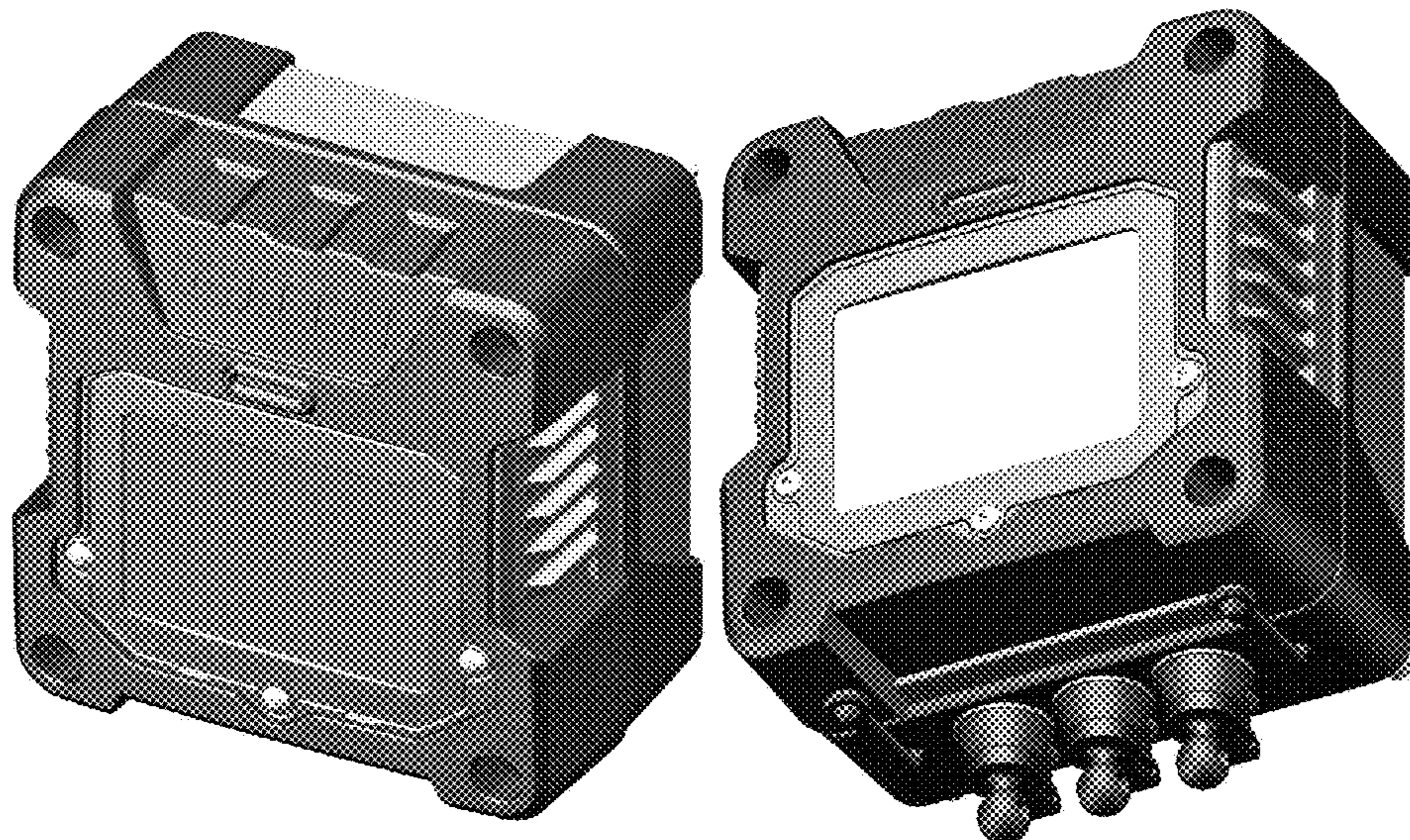
(57) **CLAIM**

We claim the ornamental design for a communications equipment, as shown and described.

**DESCRIPTION**

FIG. 1 is a front perspective view of a communications equipment in accordance with the design; FIG. 2 is a front perspective view of the design thereof; FIG. 3 is a front perspective view of the design thereof; FIG. 4 is a front view of the design thereof; FIG. 5 is a rear view of the design thereof; FIG. 6 is a right side view of the design thereof; FIG. 7 is a left side view of the design thereof; FIG. 8 is a top view of the design thereof; and, FIG. 9 is an underside view of the design thereof. The figures depict contrasting colors including black-white corresponding to the dark-light shown.

**1 Claim, 9 Drawing Sheets**



(56)

References Cited

U.S. PATENT DOCUMENTS

D610,026 S \* 2/2010 Buber ..... D10/53  
 D627,346 S \* 11/2010 Miyazoe ..... D14/358  
 D665,281 S \* 8/2012 Buber ..... D10/53  
 D686,925 S \* 7/2013 Gerold ..... D10/53  
 D696,222 S \* 12/2013 Jia ..... D14/155  
 D701,832 S \* 4/2014 Drew ..... D13/133  
 D712,765 S \* 9/2014 Kulkarni ..... D10/96  
 D716,674 S \* 11/2014 Herzl ..... D10/53  
 D725,505 S \* 3/2015 Arensmeier ..... D10/49  
 D732,530 S \* 6/2015 Hermansson ..... D14/358  
 D741,833 S \* 10/2015 Reimer ..... D14/155  
 D743,815 S \* 11/2015 Janu ..... D10/52  
 D749,578 S \* 2/2016 Takano ..... D14/358  
 D752,464 S \* 3/2016 Harmon ..... D10/96  
 D764,460 S \* 8/2016 Veja ..... D14/358  
 D778,906 S \* 2/2017 Grubel ..... D14/358  
 D788,776 S \* 6/2017 Marzette, Jr. .... D14/358  
 D789,361 S \* 6/2017 Ali ..... D14/358  
 D790,367 S \* 6/2017 Krafft ..... D10/52  
 D791,767 S \* 7/2017 Ali ..... D14/358  
 D798,296 S \* 9/2017 Ali ..... D14/358  
 D805,924 S \* 12/2017 Wimberly ..... D10/53  
 D808,356 S \* 1/2018 Miller ..... D14/155

D809,944 S \* 2/2018 Kawahara ..... D10/53  
 D810,078 S \* 2/2018 Kikuchi ..... D14/358  
 D823,304 S \* 7/2018 Drew ..... D14/357  
 D826,154 S \* 8/2018 Ceravalo ..... D13/110  
 D826,738 S \* 8/2018 Liao ..... D10/53  
 D830,206 S \* 10/2018 Joyal ..... D10/70  
 D851,506 S \* 6/2019 Kawahara ..... D10/53  
 D855,026 S \* 7/2019 Miller ..... D13/158  
 D860,192 S \* 9/2019 Rennie ..... D14/301  
 D864,145 S \* 10/2019 Zhang ..... D14/155  
 D873,269 S \* 1/2020 Hu ..... D14/358  
 D876,249 S \* 2/2020 Bee ..... D10/53  
 D876,254 S \* 2/2020 Joyal ..... D10/70  
 D883,828 S \* 5/2020 Ward ..... D10/104.1  
 D888,712 S \* 6/2020 Tabata ..... D14/358  
 D888,713 S \* 6/2020 Tabata ..... D14/358  
 D889,461 S \* 7/2020 Seo ..... D14/358  
 D891,955 S \* 8/2020 Joyal ..... D10/70  
 D891,960 S \* 8/2020 Angus ..... G01L 19/0023  
 D10/96  
 D897,873 S \* 10/2020 Lu ..... D10/78  
 D902,057 S \* 11/2020 Elrod ..... D10/52  
 D910,465 S \* 2/2021 Lindeman ..... D10/96  
 D914,016 S \* 3/2021 Steffen ..... D14/358  
 2006/0054335 A1 \* 3/2006 Rapp ..... H05K 5/0204  
 174/481

\* cited by examiner



FIG. 1



FIG. 2

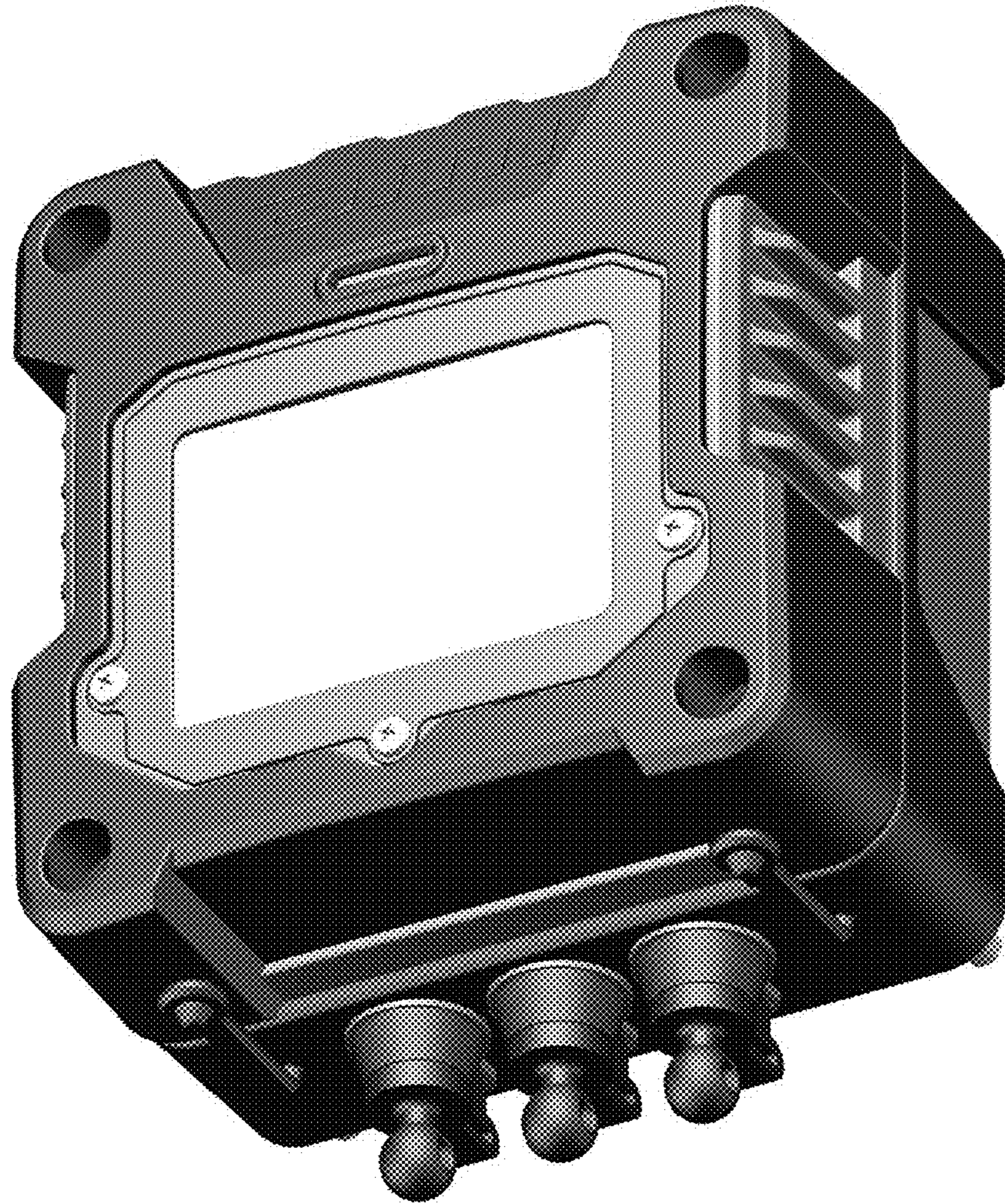


FIG. 3



FIG. 4

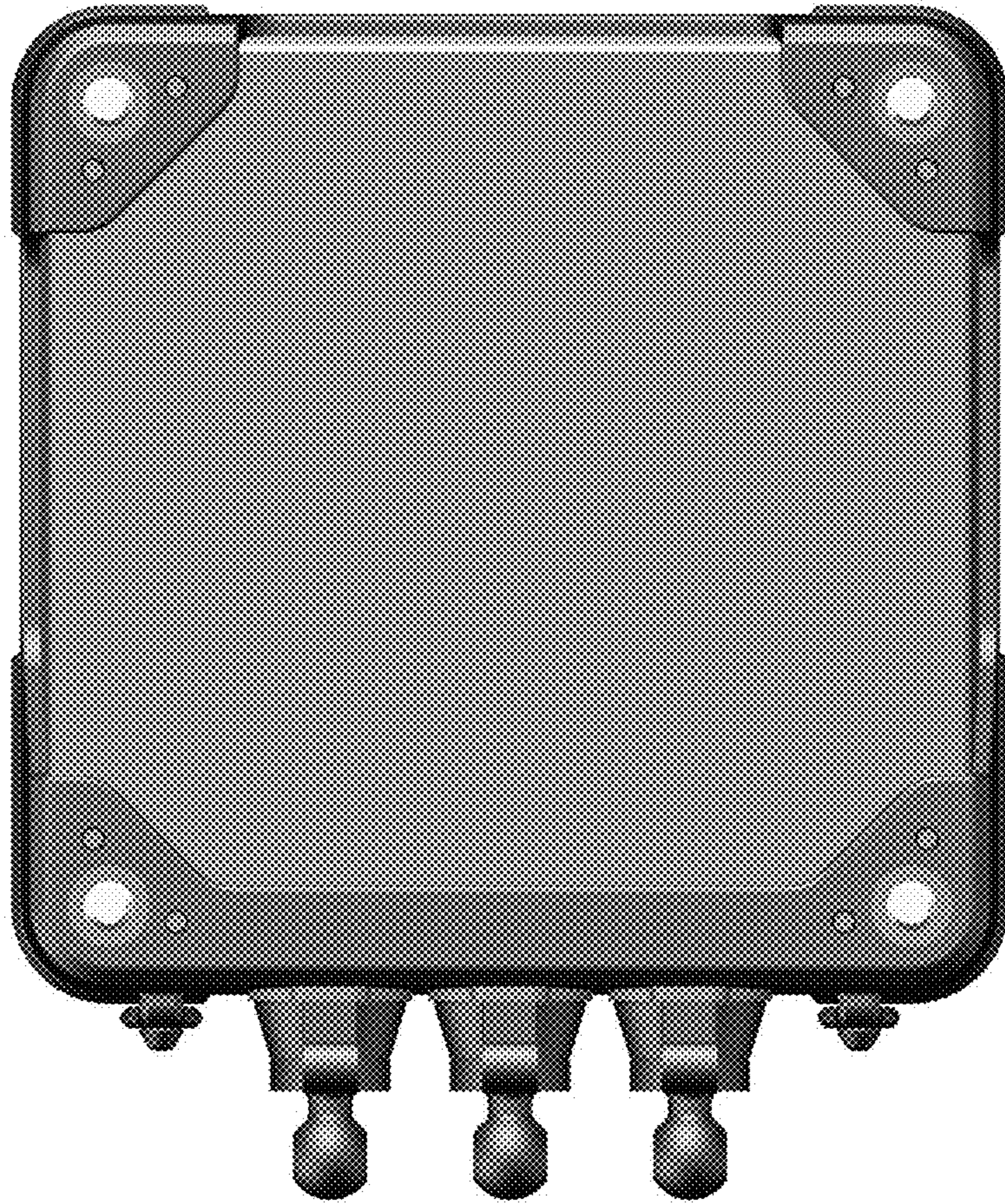


FIG.5

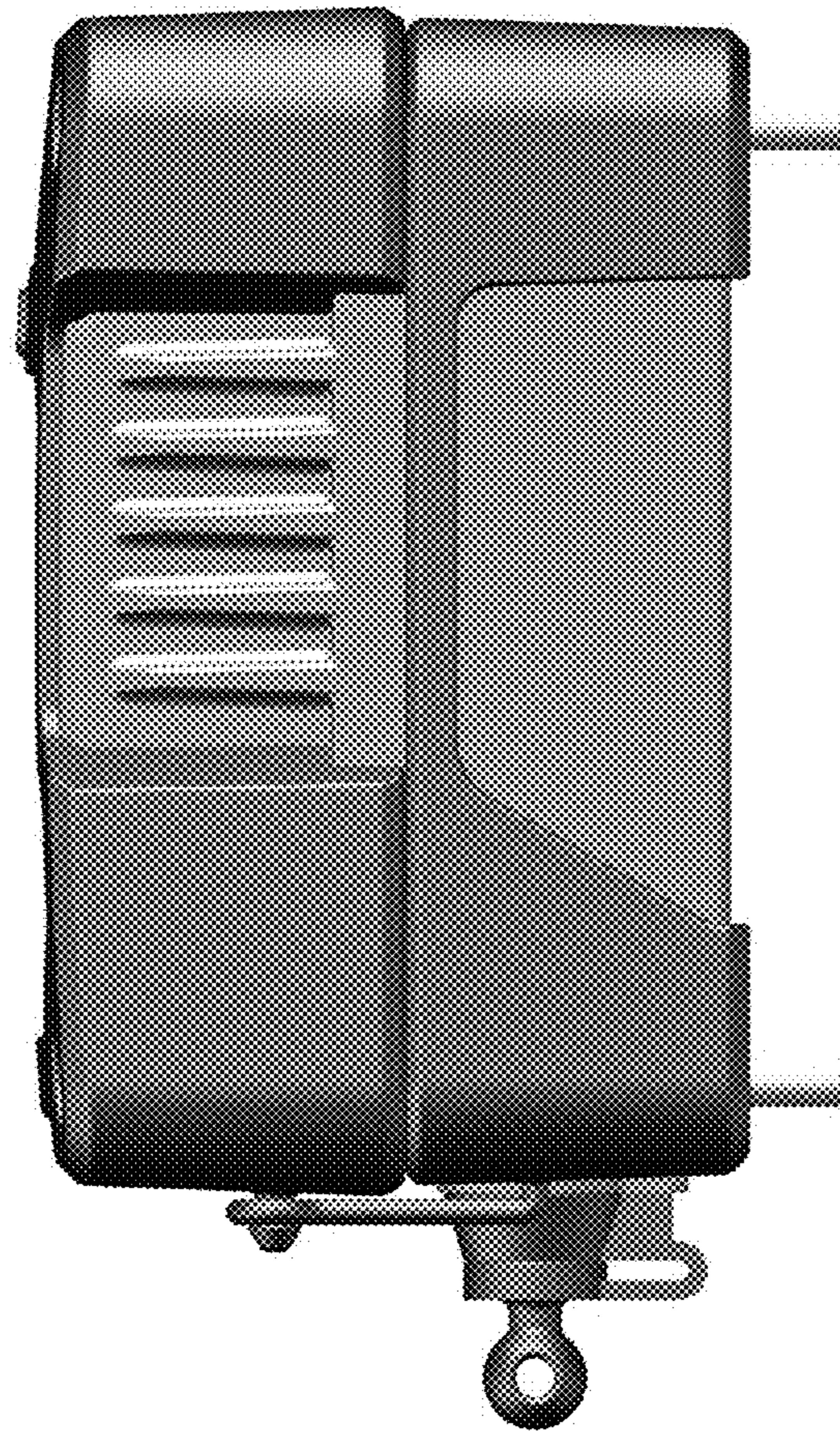


FIG. 6



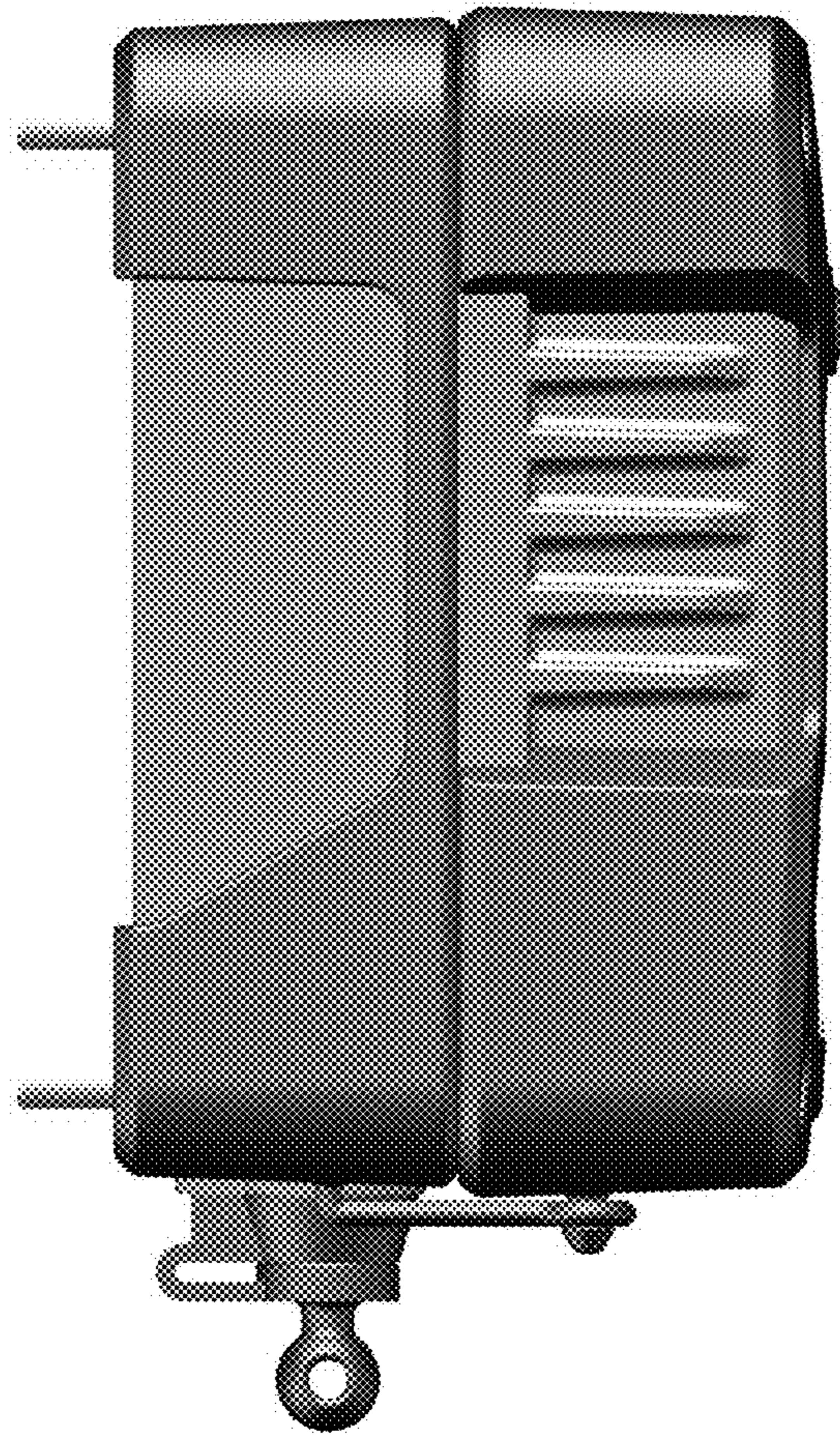


FIG. 7

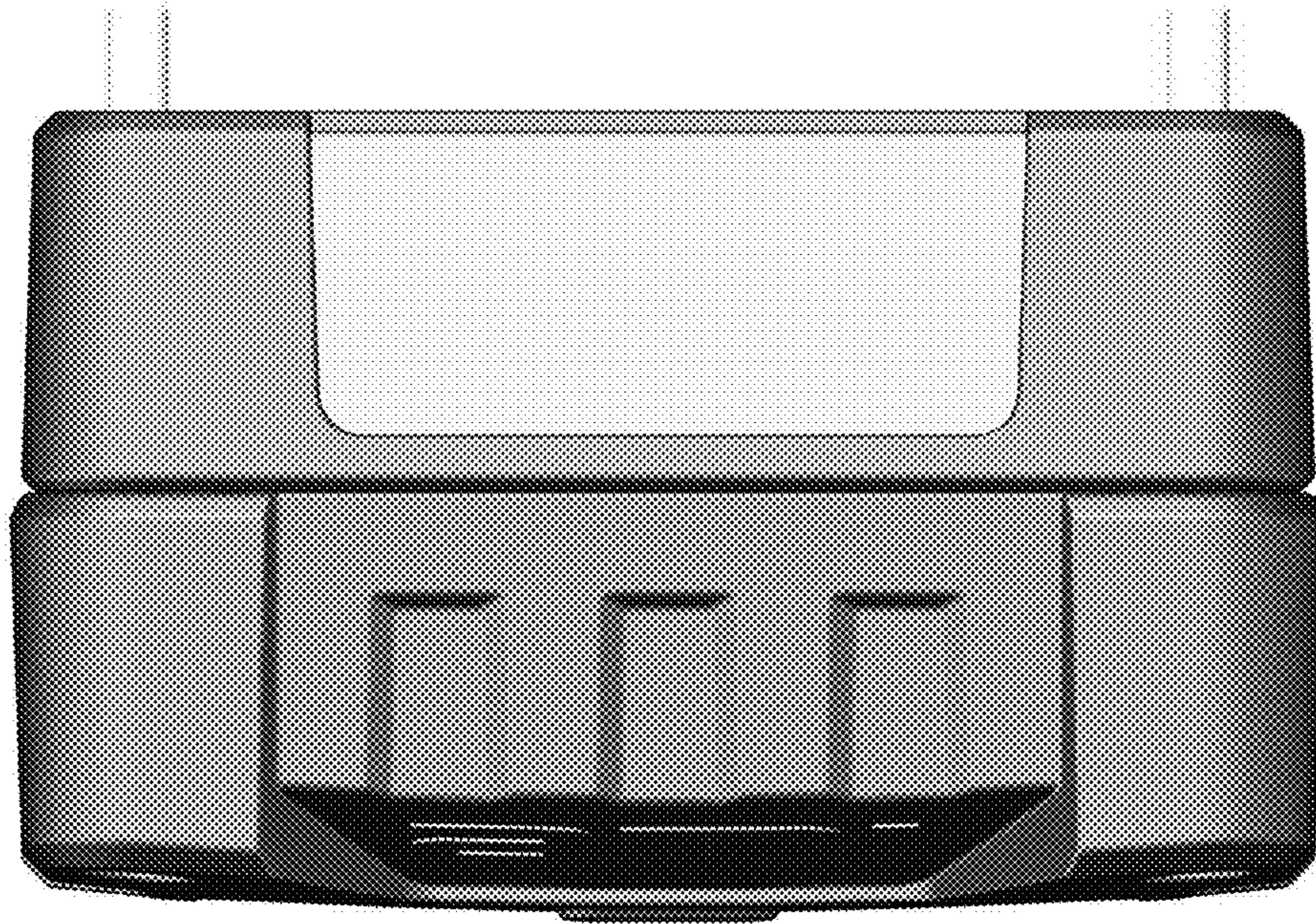


FIG. 8

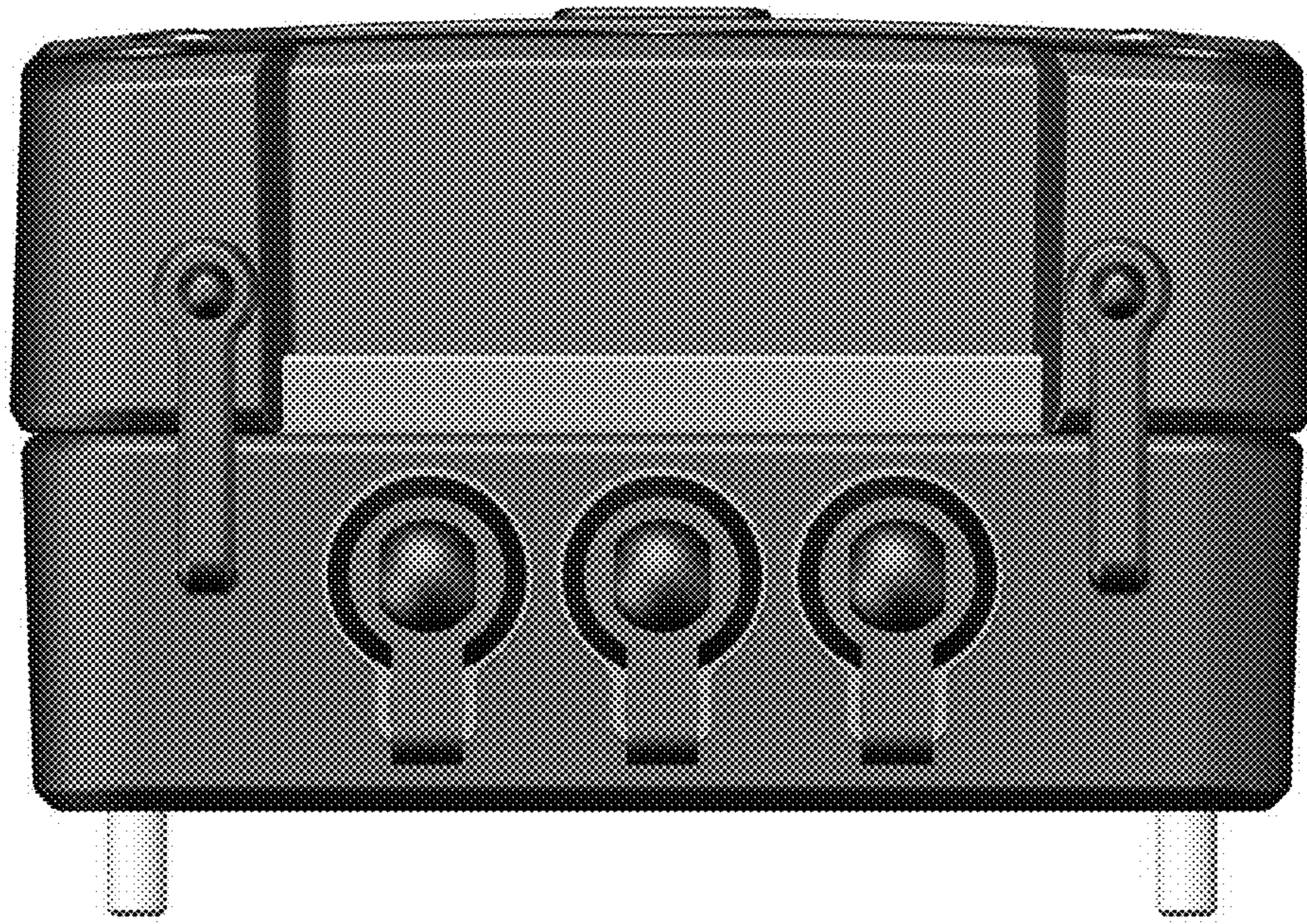


FIG. 9