



US00D929355S

(12) **United States Design Patent** (10) **Patent No.:** **US D929,355 S**
Diao et al. (45) **Date of Patent:** **** Aug. 31, 2021**

(54) **TELEVISION**

(71) Applicant: **Shenzhen Chuangwei-RGB Electronics Co., Ltd**, Shenzhen (CN)

(72) Inventors: **Yonghong Diao**, Shenzhen (CN);
Xiaohui Zhang, Shenzhen (CN);
Xiangcheng Liu, Shenzhen (CN);
Shuxiao Wei, Shenzhen (CN)

(73) Assignee: **Shenzhen Chuangwei-RGB Electronics Co., Ltd**, Shenzhen (CN)

(**) Term: **15 Years**

(21) Appl. No.: **29/721,782**

(22) Filed: **Jan. 23, 2020**

(30) **Foreign Application Priority Data**

Jul. 29, 2019 (CN) 201930406817.2

(51) **LOC (13) Cl.** **14-03**

(52) **U.S. Cl.**
USPC **D14/126**

(58) **Field of Classification Search**
USPC D14/125-134, 136, 239, 305, 307,
D14/314-316, 335, 336, 340, 371-377,
D14/448-451; D20/10, 17, 18, 19, 21,
D20/27, 39, 41, 42, 99; D21/329, 332,
D21/51; D6/308, 309
CPC G02B 6/0068; G06F 1/16; G06F 1/1601;
G06F 1/1637; G06F 1/1643; H04N 5/64;
H04N 5/66; H04N 5/655; H04N 7/00;
H04N 9/3141; H04N 13/0459; H04N
17/04; H04N 17/004; H04N 21/43637;
H05K 5/0204; H05K 5/0004; H05K
5/0017; H05K 5/0217; H05K 5/02

See application file for complete search history.

(56) **References Cited**

U.S. PATENT DOCUMENTS

D461,785 S * 8/2002 Wilmotte D14/126
D472,223 S * 3/2003 Wilmotte D14/126
D587,699 S * 3/2009 Corti D14/307

(Continued)

Primary Examiner — Ramzi Almatrahi

Assistant Examiner — Charles Cunningham

(74) *Attorney, Agent, or Firm* — Banner & Witcoff, Ltd.

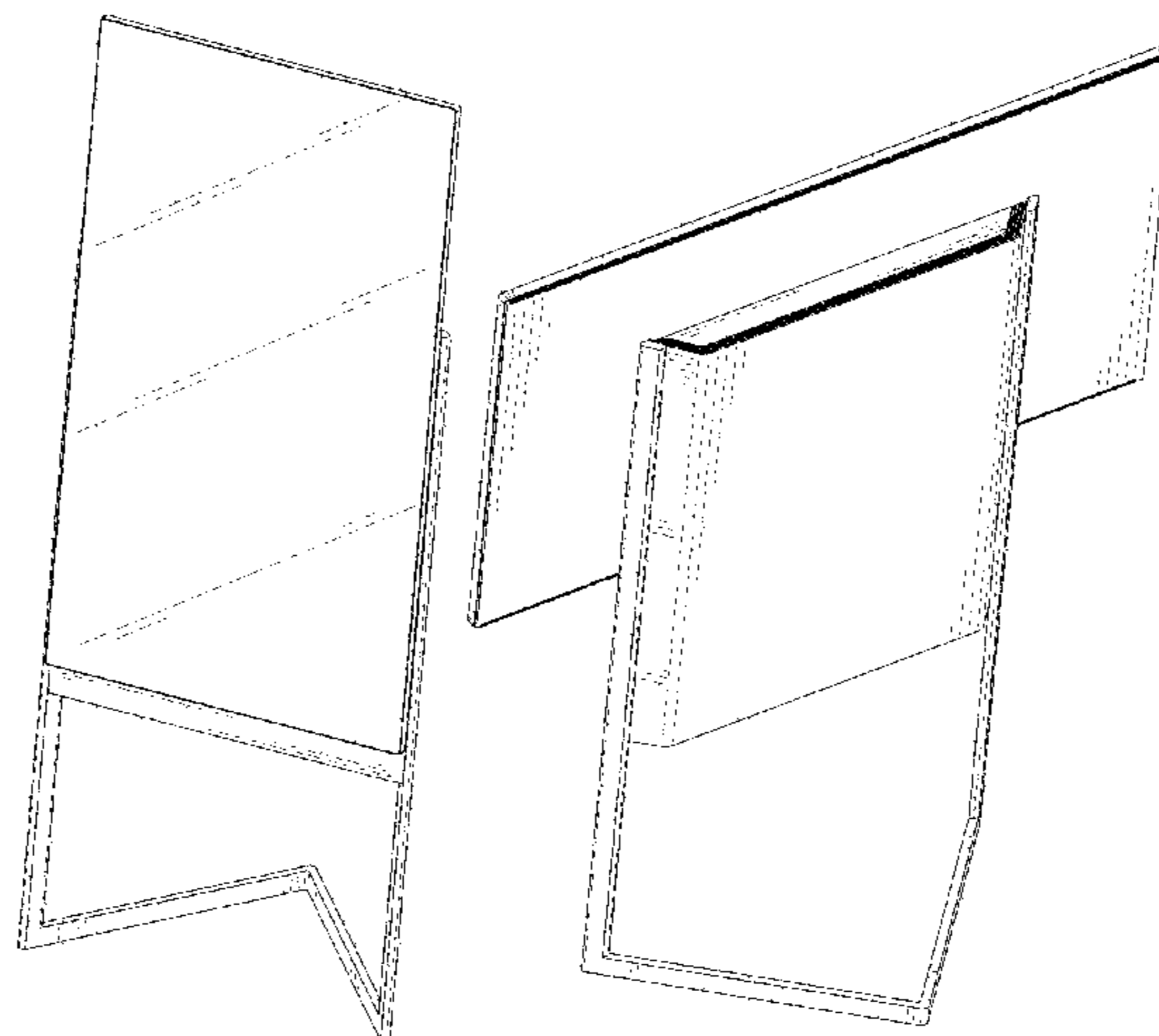
(57) **CLAIM**

The ornamental design for a television, as shown and described.

DESCRIPTION

FIG. 1 is a front elevational view of a television;
FIG. 2 is a rear elevational view thereof;
FIG. 3 is a left side elevational view thereof;
FIG. 4 is a right side elevational view thereof;
FIG. 5 is a top plan view thereof;
FIG. 6 is a bottom plan view thereof;
FIG. 7 is a top, front and right side perspective view thereof;
FIG. 8 is a top, rear and right side perspective view thereof;
FIG. 9 is a top, front and right side perspective view thereof,
shown with the display screen of the television in an
alternate position;
FIG. 10 is a top, rear and right side perspective view thereof;
FIG. 11 is an enlarged view of portion 11 shown in FIG. 2;
FIG. 12 is an enlarged view of portion 12 shown in FIG. 8;
and,
FIG. 13 is an enlarged view of portion 13 shown in FIG. 8.
The broken lines depict portions of the television in which
the design is embodied that form no part of the claimed

(Continued)



design. The dot-dash broken lines encircling the enlargement portions of the design forms no part of the claimed design.

1 Claim, 13 Drawing Sheets

(56) **References Cited**

U.S. PATENT DOCUMENTS

D712,367 S *	9/2014	Park	D14/126
D759,617 S *	6/2016	Soares	D14/126
D789,313 S *	6/2017	Jacobi	D14/126
D852,274 S *	6/2019	Lim	D20/39
D868,014 S *	11/2019	Kim	D14/126
D869,412 S *	12/2019	Spencer	D14/126
D880,593 S *	4/2020	Lee	D20/39
D884,697 S *	5/2020	Park	D14/375
D885,382 S *	5/2020	Kim	D14/371
D890,710 S *	7/2020	Bakshi	D14/126

* cited by examiner

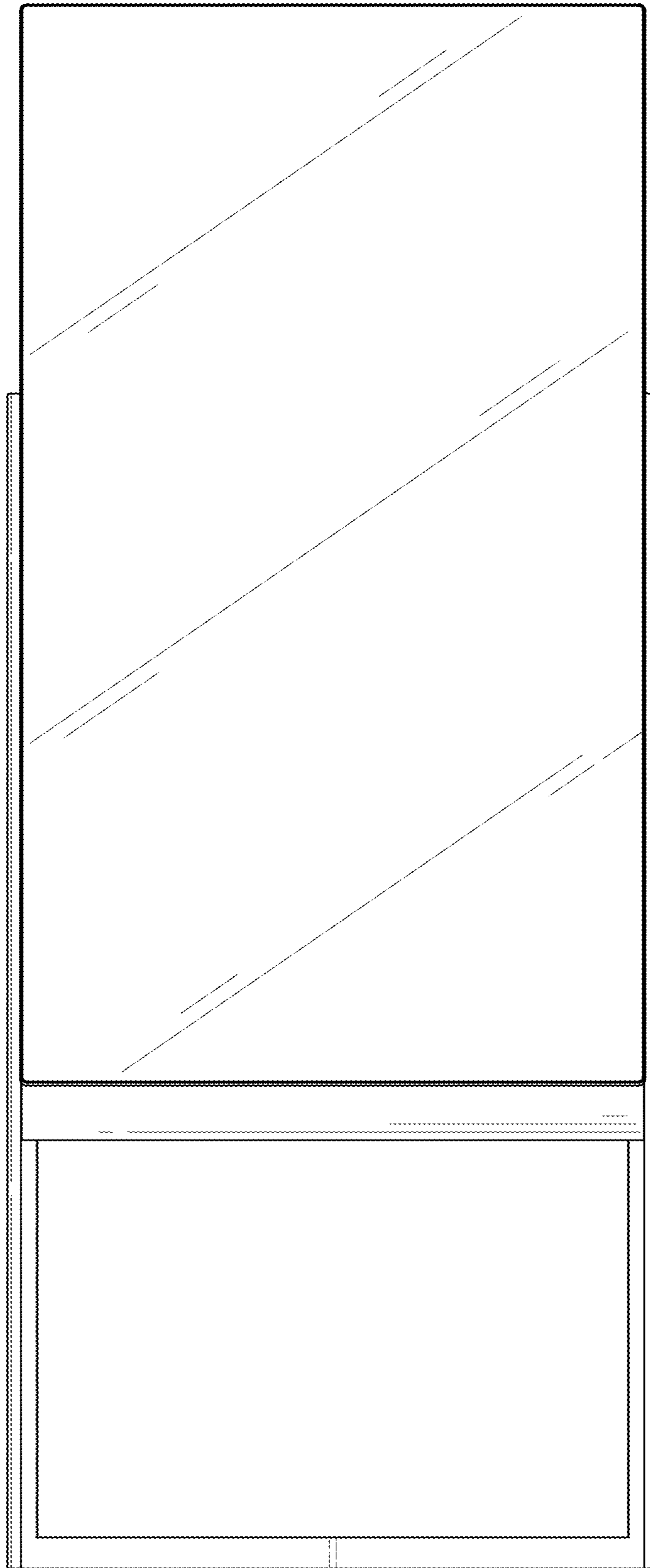


FIG. 1

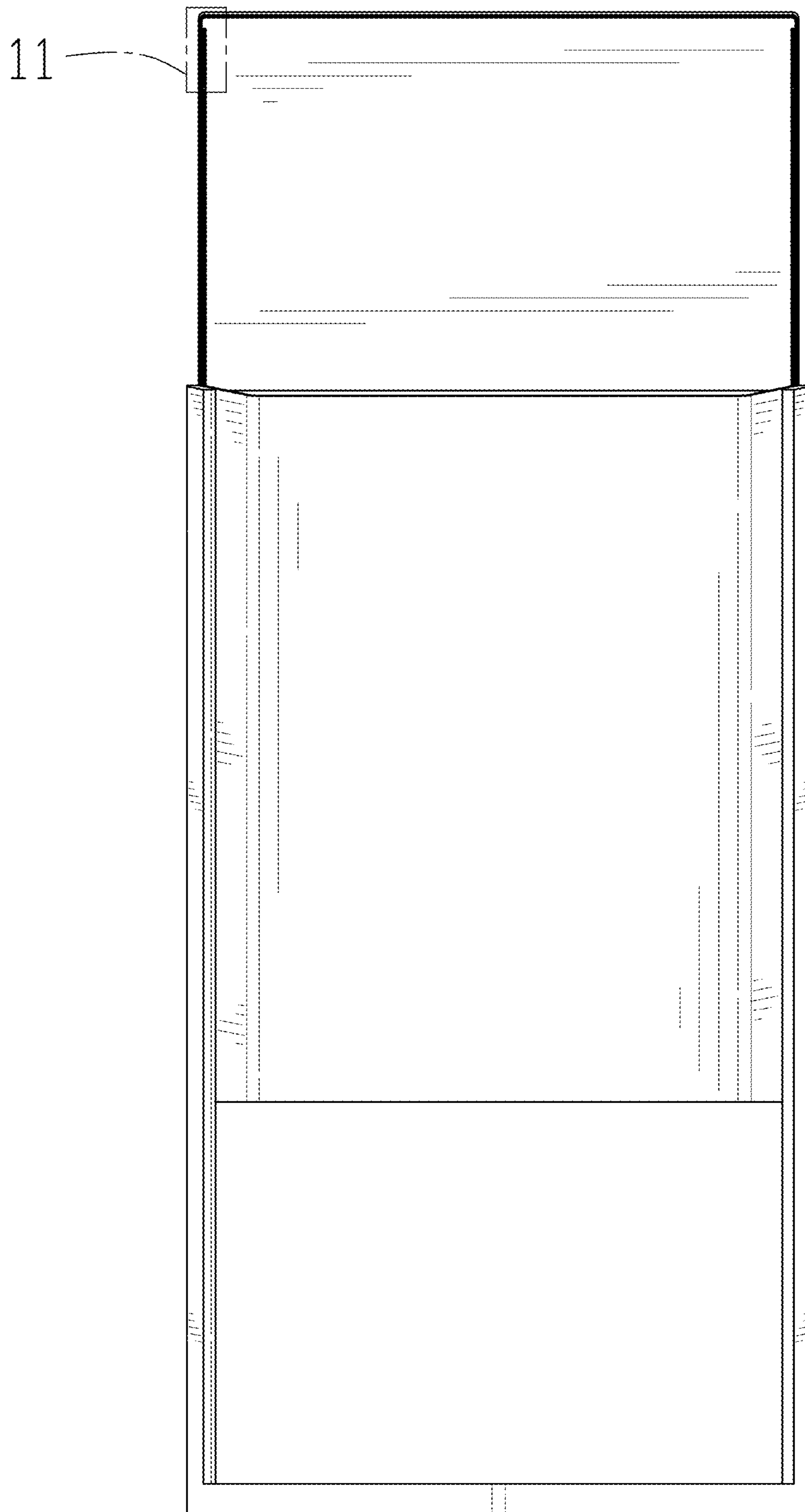


FIG. 2

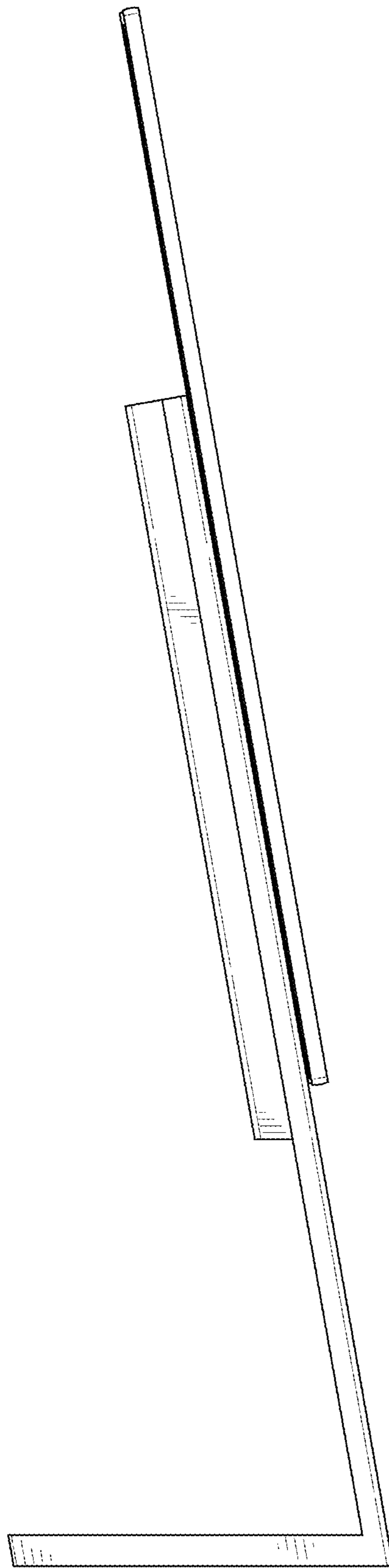


FIG. 3

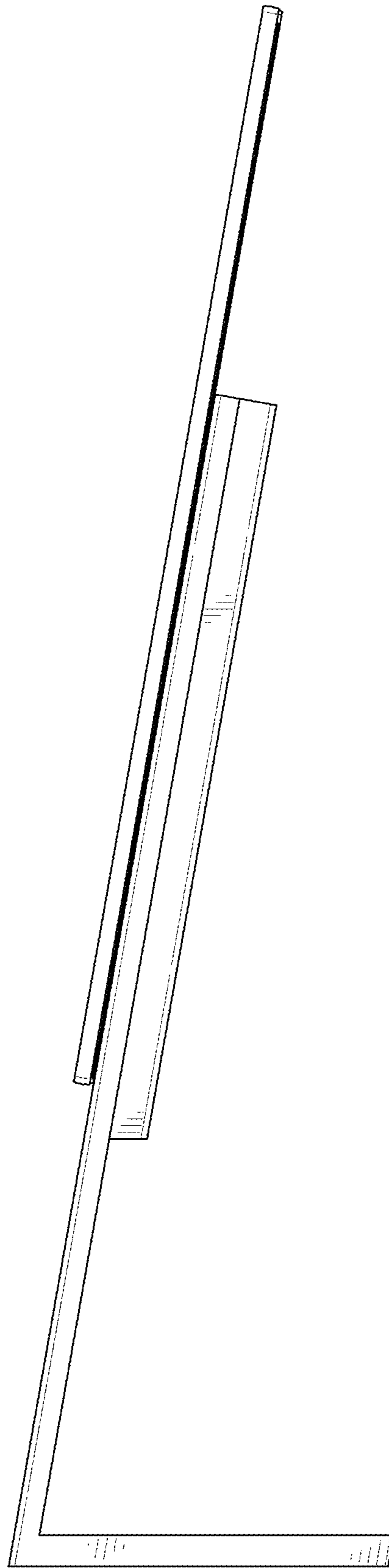


FIG. 4

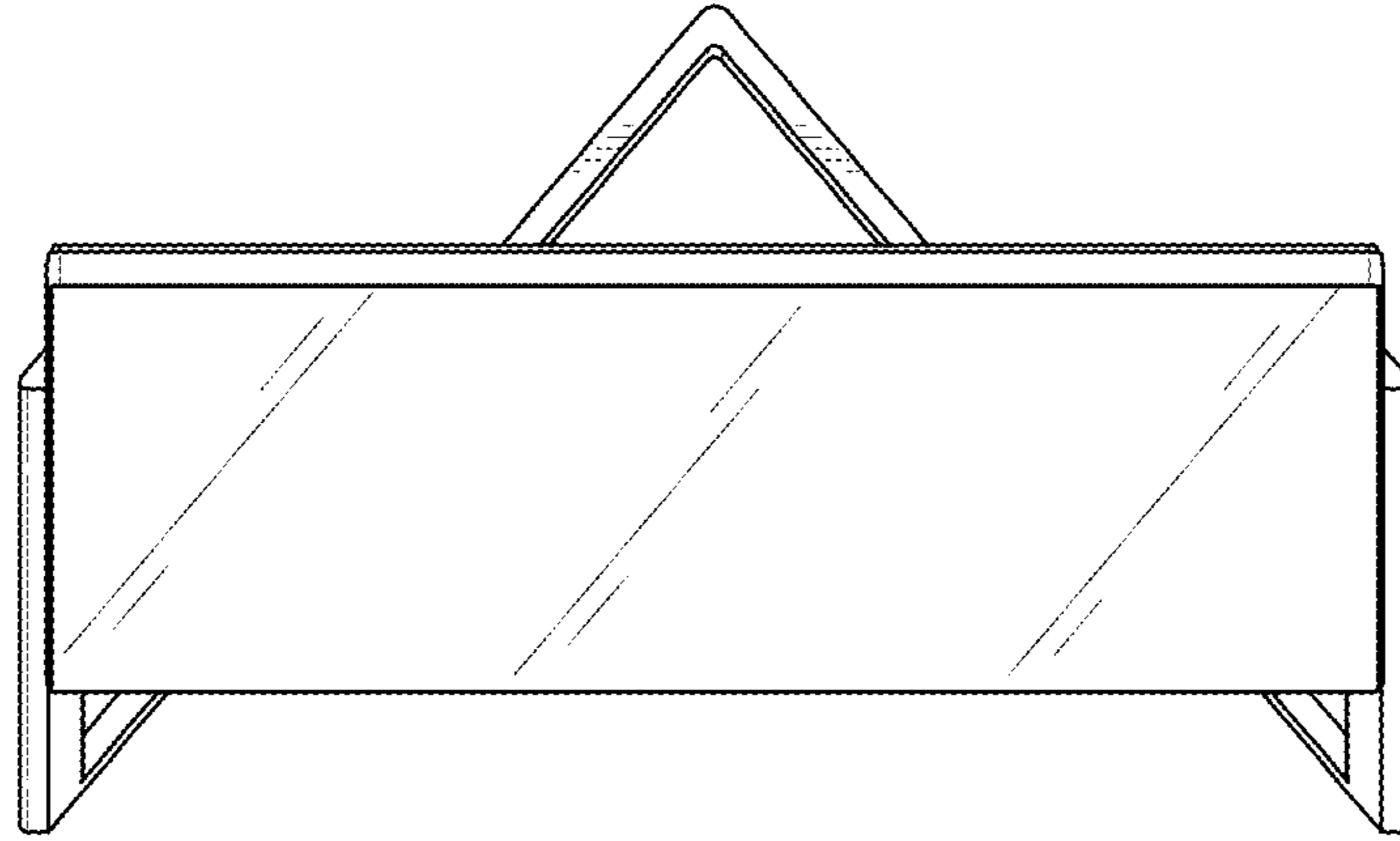


FIG. 5

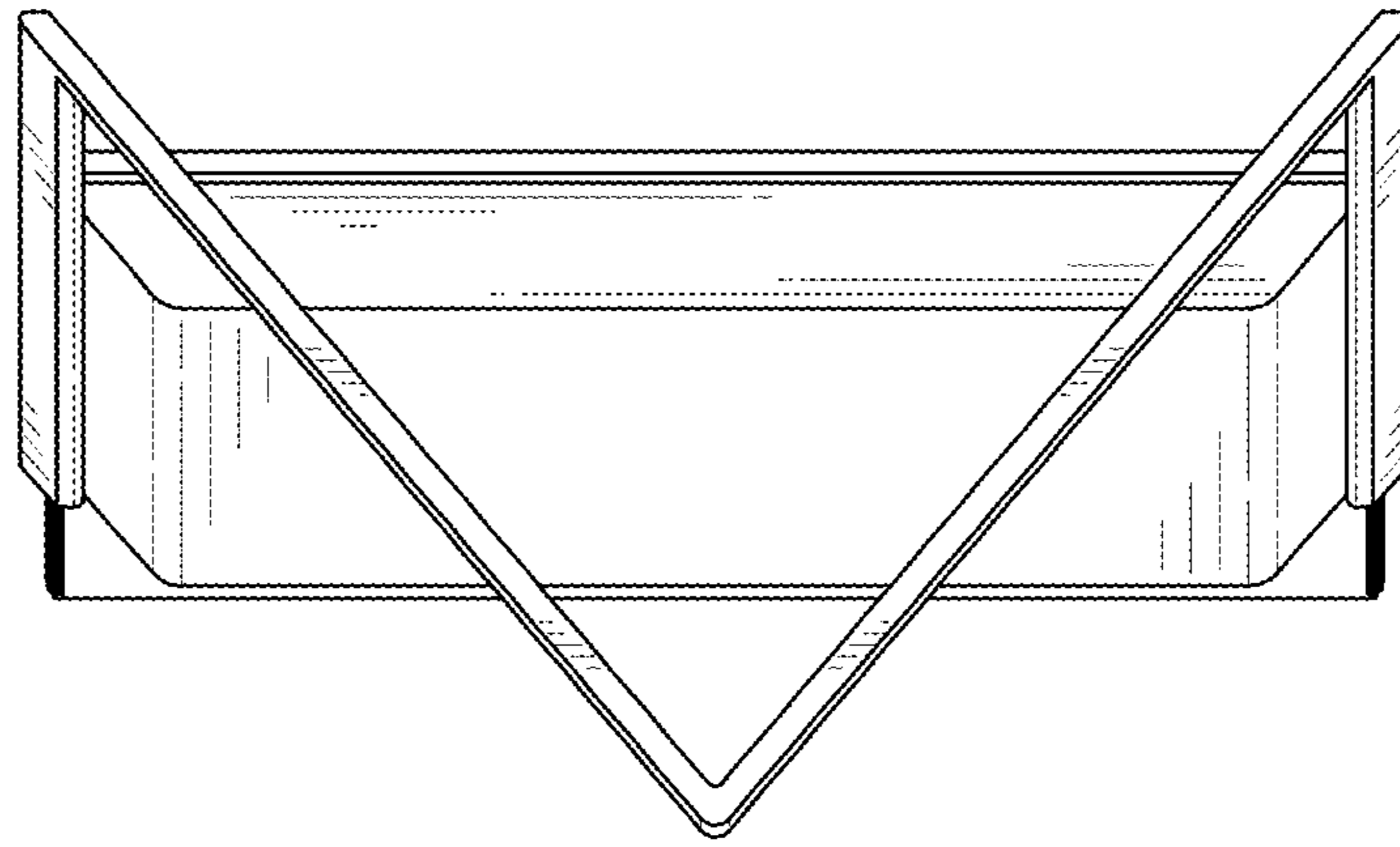


FIG. 6

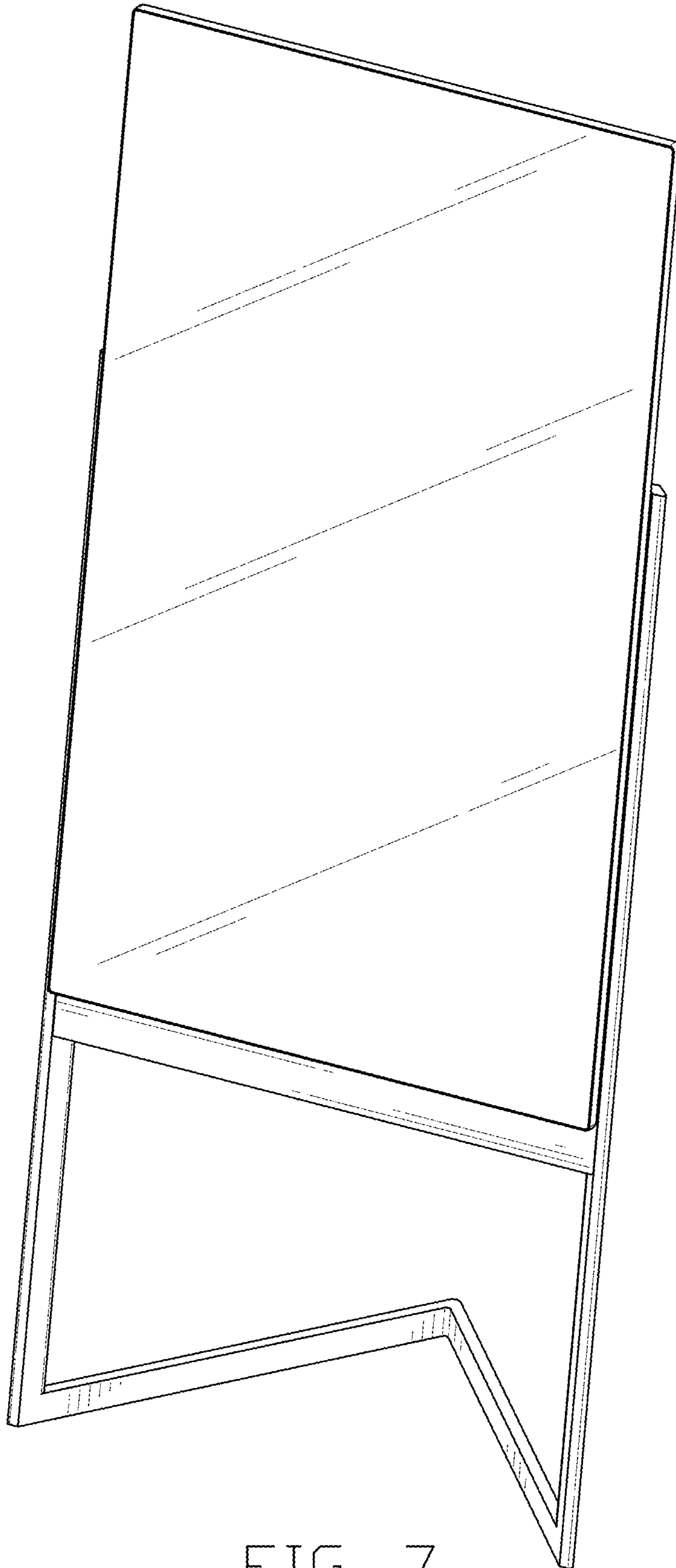


FIG. 7

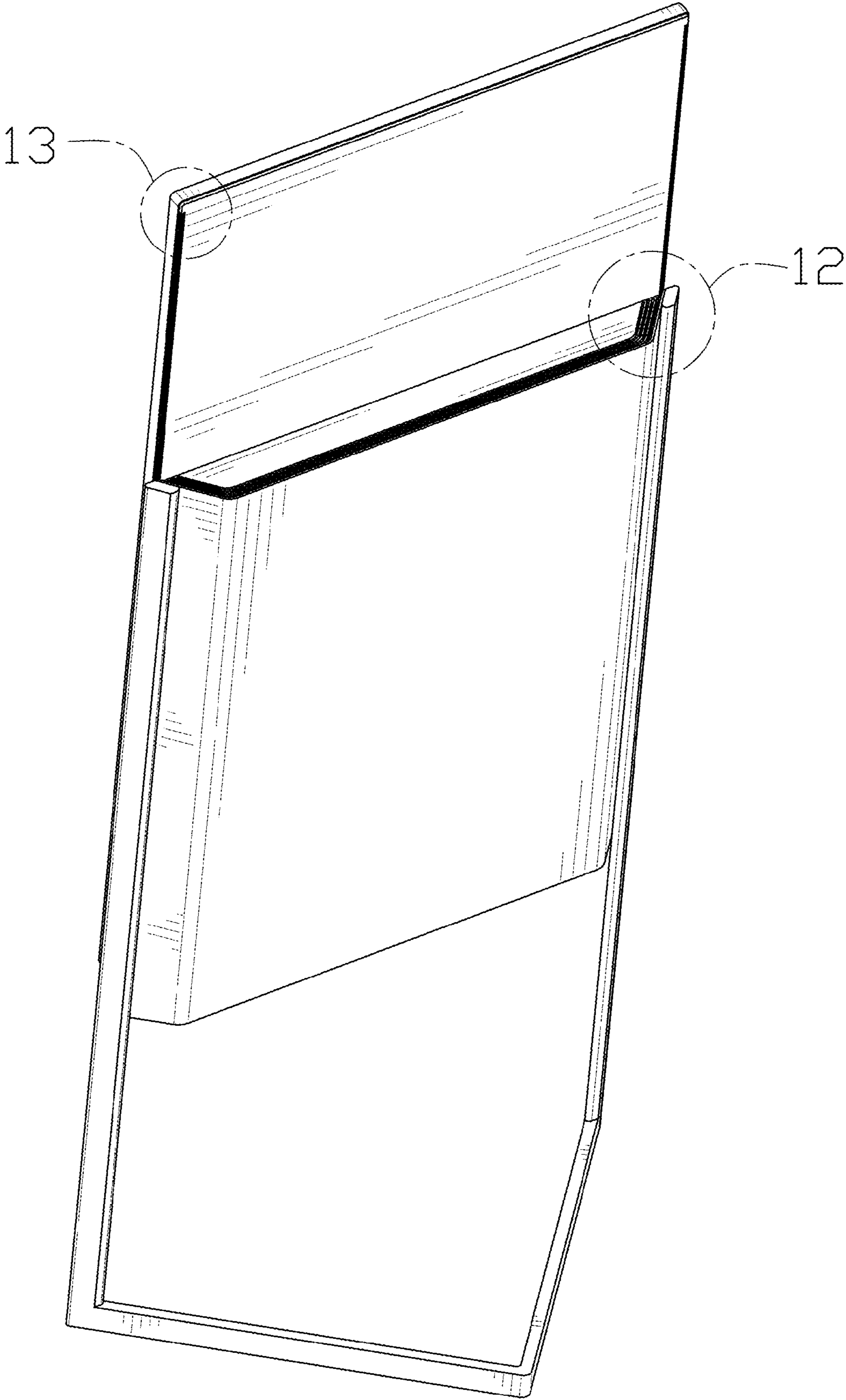


FIG. 8

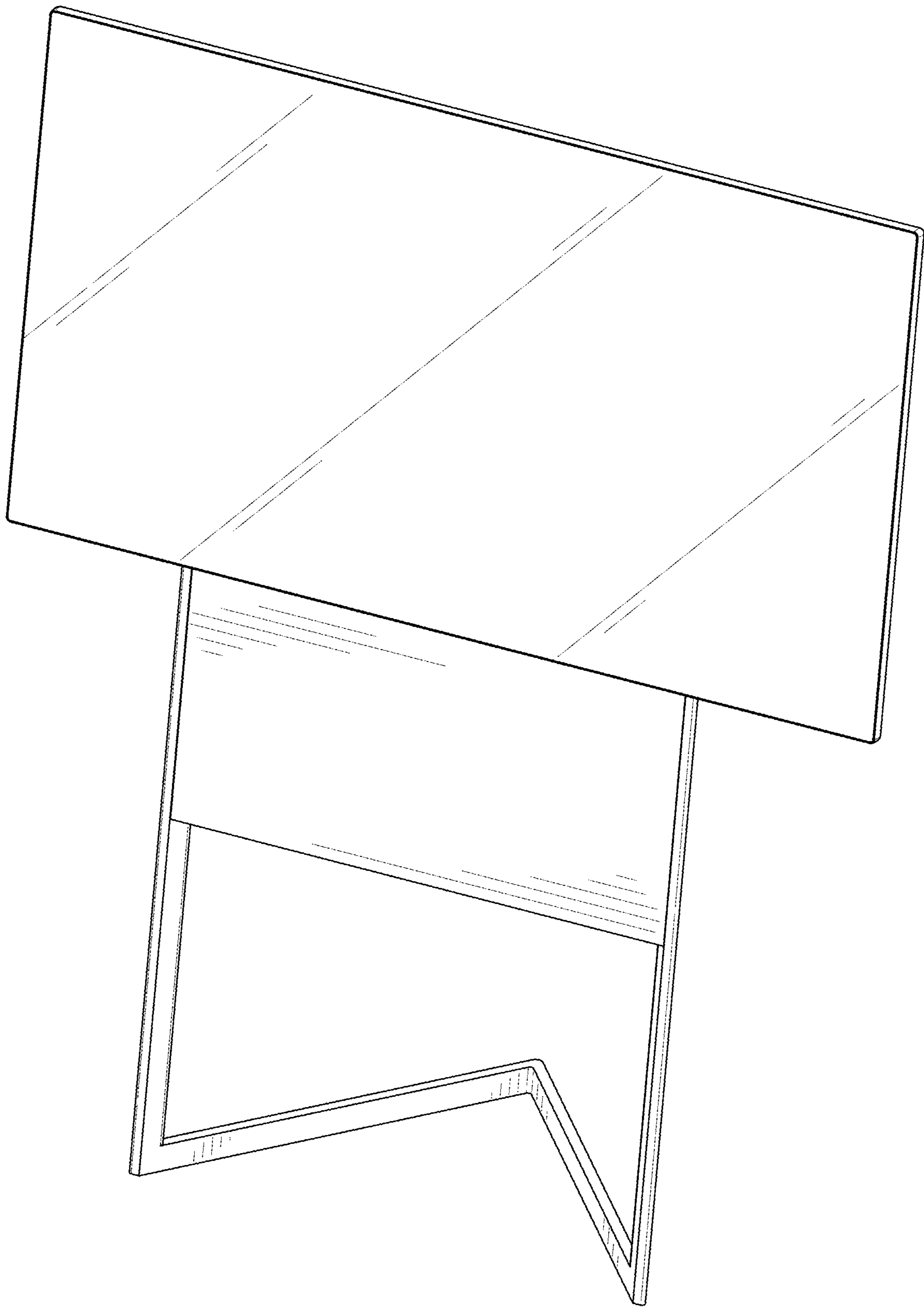


FIG. 9

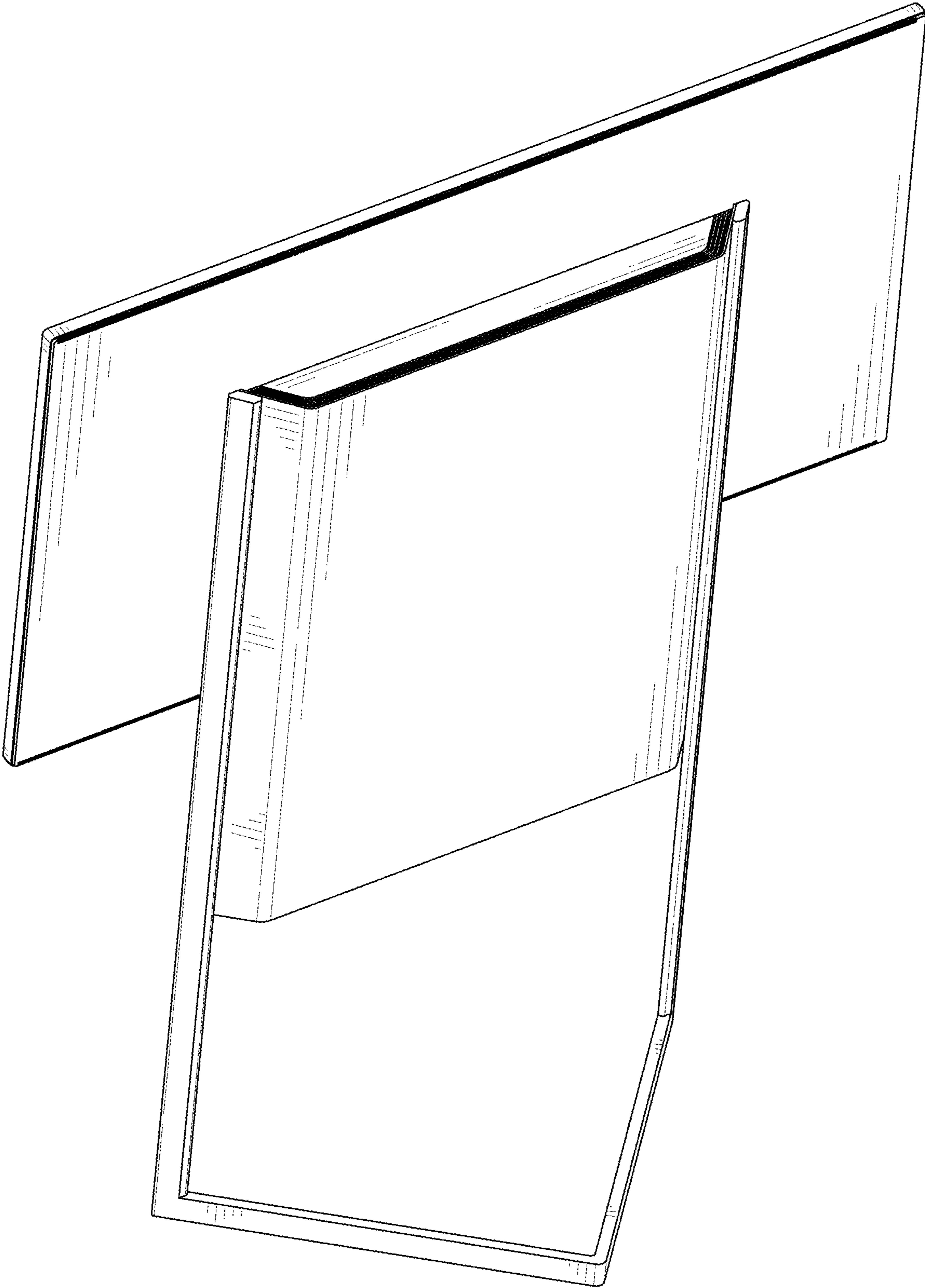


FIG. 10

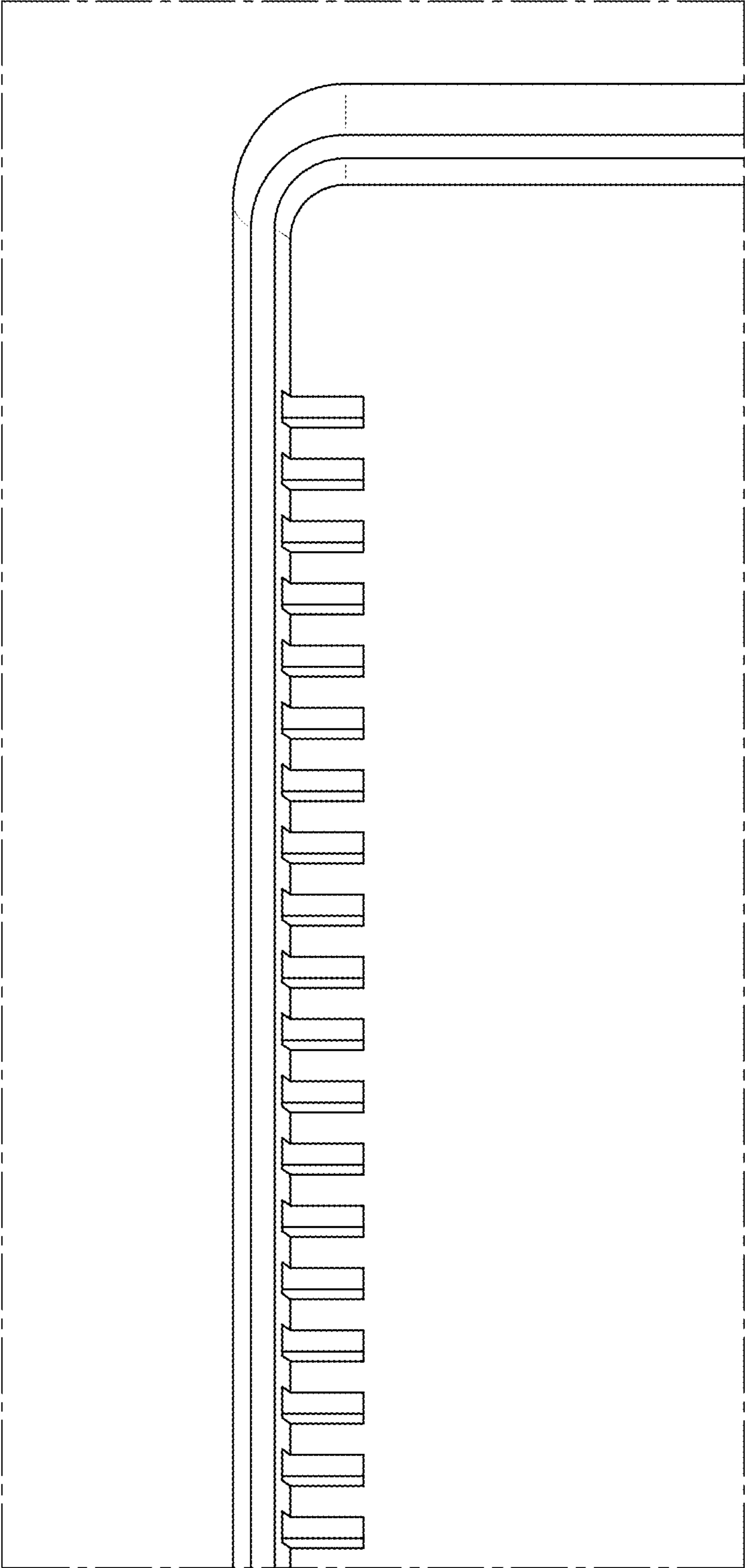


FIG. 11

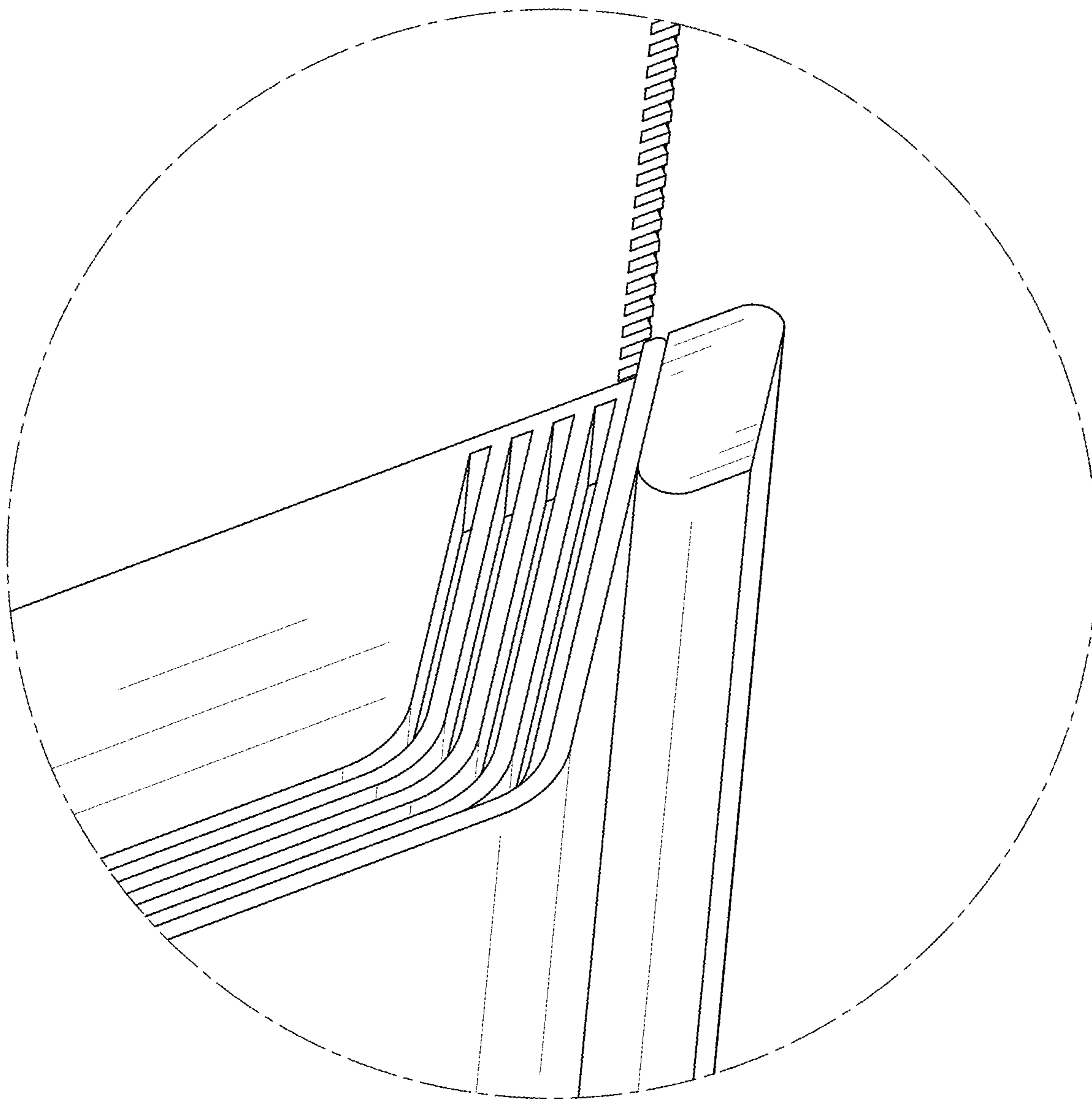


FIG. 12

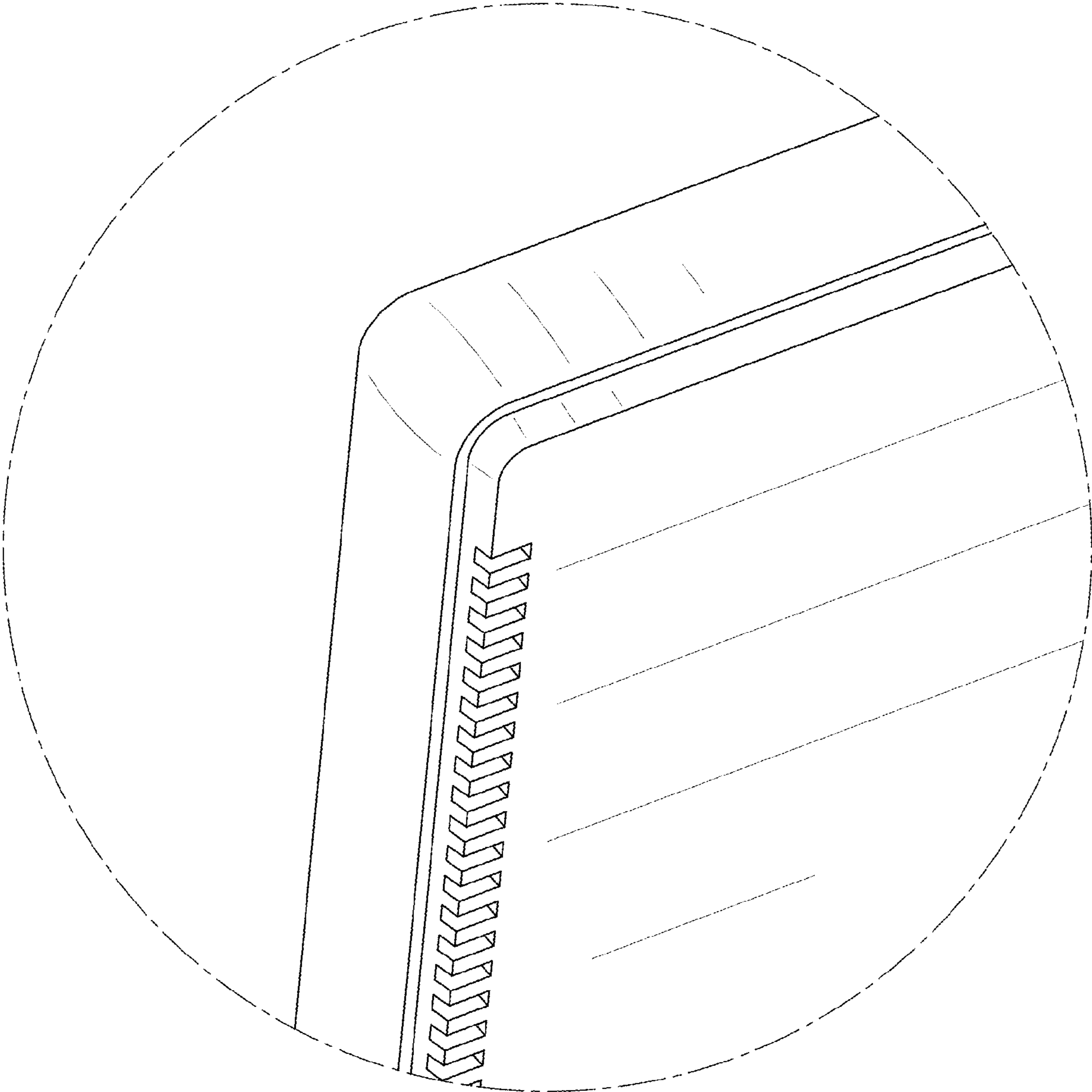


FIG. 13