



US00D929352S

(12) **United States Design Patent** (10) **Patent No.:** **US D929,352 S**  
**Alfredsson et al.** (45) **Date of Patent:** **\*\* \*Aug. 31, 2021**

(54) **ELECTRONIC DEVICE HOUSING**

(71) Applicant: **ABB Power Grids Switzerland AG**,  
Baden (CH)

(72) Inventors: **Fredrik Alfredsson**, Västerås (SE);  
**Mikael Edoff**, Saltsjö-Boo (SE)

(73) Assignee: **ABB Power Grids Switzerland AG**,  
Baden (CH)

(\*) Notice: This patent is subject to a terminal disclaimer.

(\*\*) Term: **15 Years**

(21) Appl. No.: **29/687,636**

(22) Filed: **Apr. 15, 2019**

(30) **Foreign Application Priority Data**

Oct. 15, 2018 (EM) ..... 005798378  
Apr. 5, 2019 (EM) ..... 006370771

(51) **LOC (13) Cl.** ..... **13-03**

(52) **U.S. Cl.**  
USPC ..... **D13/184**; D13/110; D13/123

(58) **Field of Classification Search**  
USPC ..... D13/110, 123, 158, 162, 184, 199;  
D14/301, 439  
CPC ..... G05B 9/02; G05B 19/05; G05B 19/054;  
G05B 19/056; G06F 1/182; G06F 1/183;  
G06F 1/26; H05K 7/1462; H05K 7/1467;  
H05K 7/1474; H05K 7/1432; H02B 1/26;  
H02B 1/30; H02B 1/305

See application file for complete search history.

(56) **References Cited**

**U.S. PATENT DOCUMENTS**

D348,269 S \* 6/1994 Chong ..... D13/184  
D373,362 S \* 9/1996 Kuroiwa ..... D13/184  
D424,529 S \* 5/2000 Raspotnig ..... D13/184

D437,586 S \* 2/2001 Sonntag ..... D13/184  
D493,771 S \* 8/2004 Pagella ..... D13/110  
D506,977 S \* 7/2005 Lee ..... D13/110  
D643,376 S \* 8/2011 Naumann ..... D13/160  
D702,198 S \* 4/2014 Gretz ..... D13/184  
D707,187 S \* 6/2014 Mauchle ..... D13/162  
D719,105 S \* 12/2014 Shin ..... D13/159  
D762,495 S \* 8/2016 Tanaka ..... D10/50

(Continued)

**OTHER PUBLICATIONS**

ABB Launches new microgrid system to boost use of renewables;  
Oct. 10, 2016; 1 pg.; <https://www.windpowerengineering.com/abb-launches-new-microgrid-system-boost-use-renewables/>.\*

(Continued)

*Primary Examiner* — Selina Sikder

(74) *Attorney, Agent, or Firm* — Slater Matsil, LLP

(57) **CLAIM**

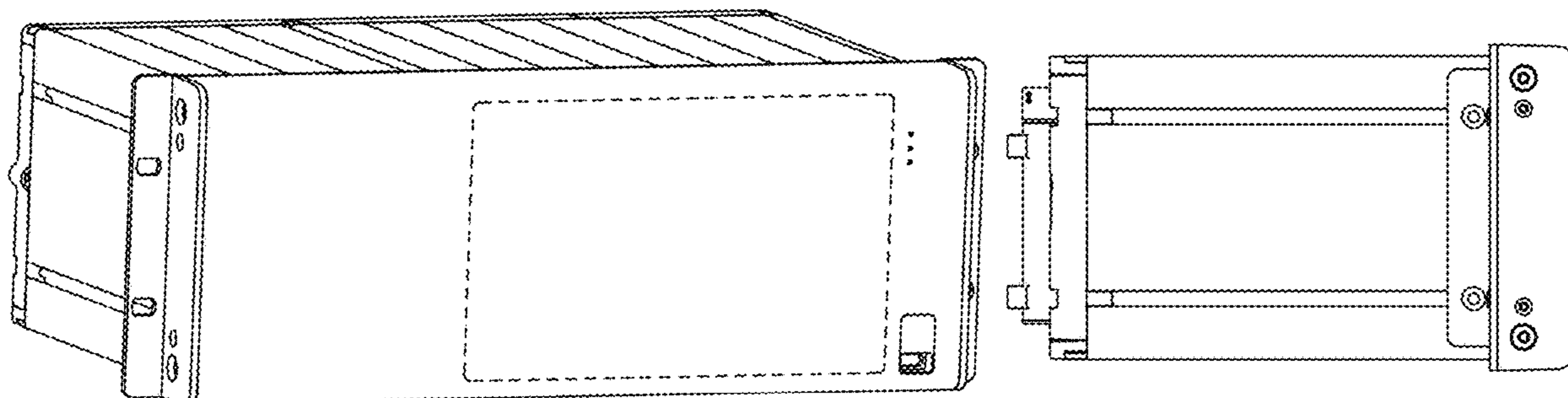
The ornamental design for an electronic device housing, as shown and described.

**DESCRIPTION**

FIG. 1 is a top, front isometric view of an electronic device housing in accordance with a new design;  
FIG. 2 is a left side elevational view of the embodiment shown in FIG. 1;  
FIG. 3 is a right side elevational view of the embodiment shown in FIG. 1;  
FIG. 4 is a front elevational view of the embodiment shown in FIG. 1;  
FIG. 5 is a rear elevational view of the embodiment shown in FIG. 1;  
FIG. 6 is a top plan view of the embodiment shown in FIG. 1; and,  
FIG. 7 is a bottom plan view of the embodiment shown in FIG. 1.

The broken lines define the bounds of the claimed design and form no part thereof.

**1 Claim, 7 Drawing Sheets**



(56)

**References Cited**

U.S. PATENT DOCUMENTS

D772,171	S *	11/2016	Ohmori .....	D13/158
D823,798	S *	7/2018	Gleave .....	D13/110
D860,957	S *	9/2019	Gao .....	D13/184
D867,304	S *	11/2019	Tsurumi .....	D13/159
10,547,161	B1 *	1/2020	Lin .....	H02B 1/305
D877,701	S *	3/2020	Byrne .....	D13/139.4
10,707,768	B2 *	7/2020	Voegeli .....	H05K 7/20009
2004/0008492	A1 *	1/2004	Kato .....	G05B 19/0421
				361/715
2011/0222244	A1 *	9/2011	Takashiro .....	H05K 7/1432
				361/704
2011/0242770	A1 *	10/2011	Yamanaka .....	H05K 7/1432
				361/728
2013/0016481	A1 *	1/2013	Takahashi .....	H05K 7/20418
				361/724
2019/0165687	A1 *	5/2019	Yamazawa .....	B32B 15/082
2020/0059163	A1 *	2/2020	Koshii .....	H02M 7/003

OTHER PUBLICATIONS

Rolls-Royce and ABB partner to develop microgrid solution for business; Apr. 2, 2019; 1 pg. ; <https://www.edie.net/news/8/Rolls-Royce-and-ABB-partner-to-develop-microgrid-solution-for-business/>.\*

International Mining, Rolls-Royce Power Systems microgrid battery containers; Aug. 19, 2020; 4 pgs.\*

\* cited by examiner

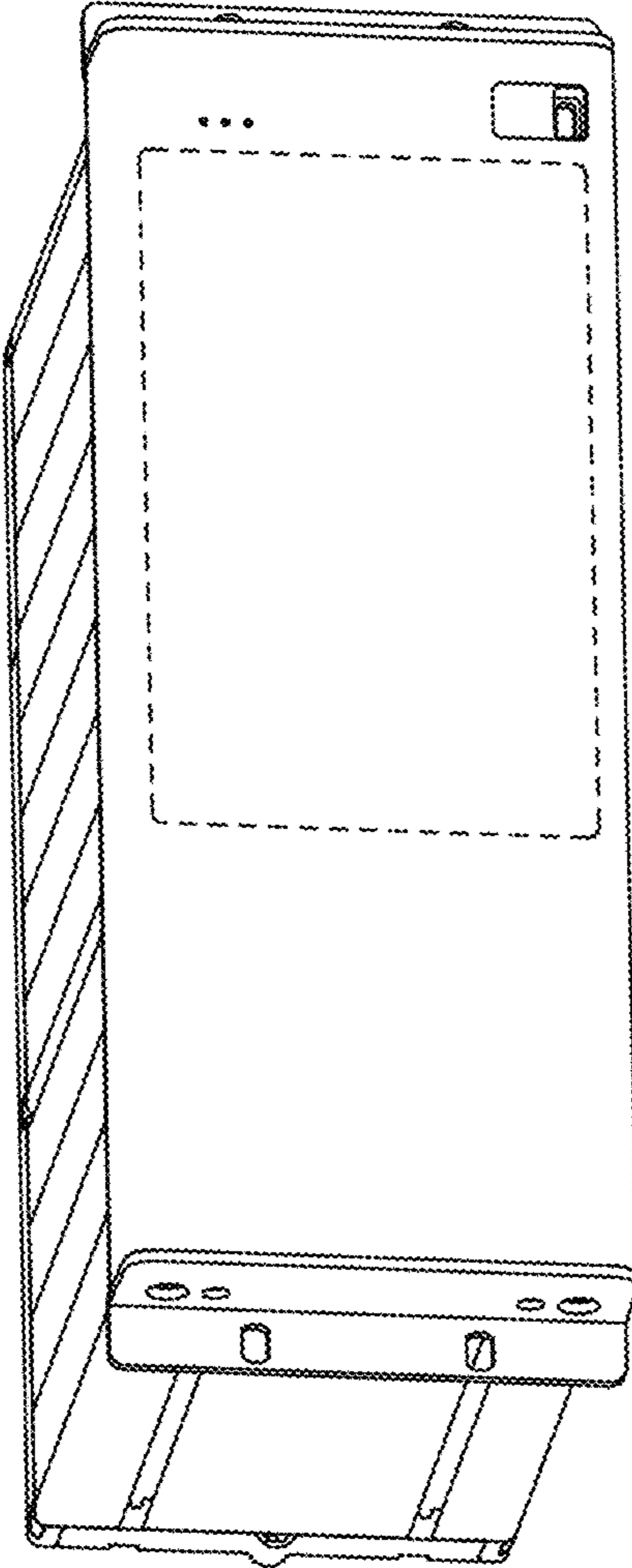


FIG. 1

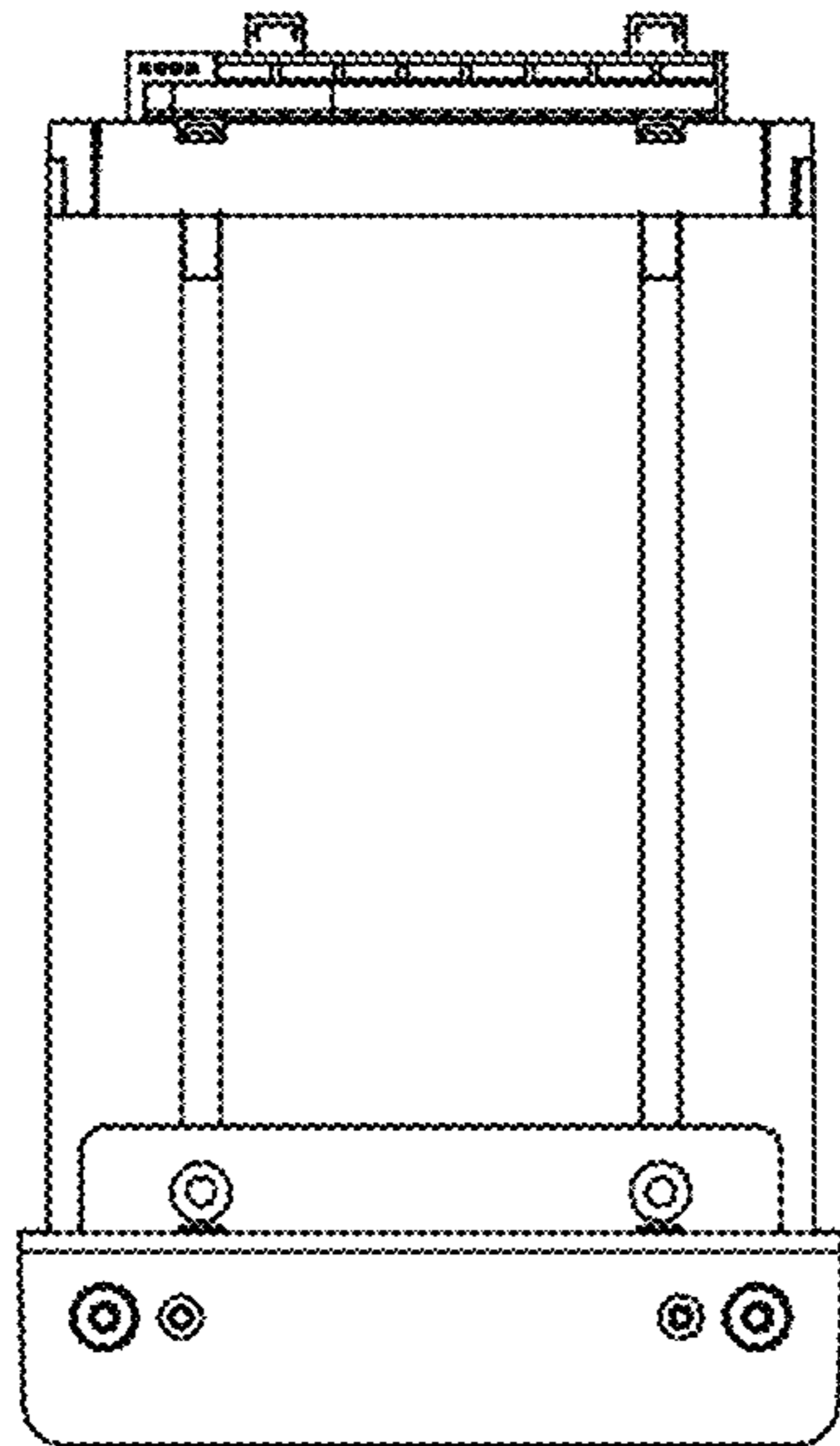


FIG. 2

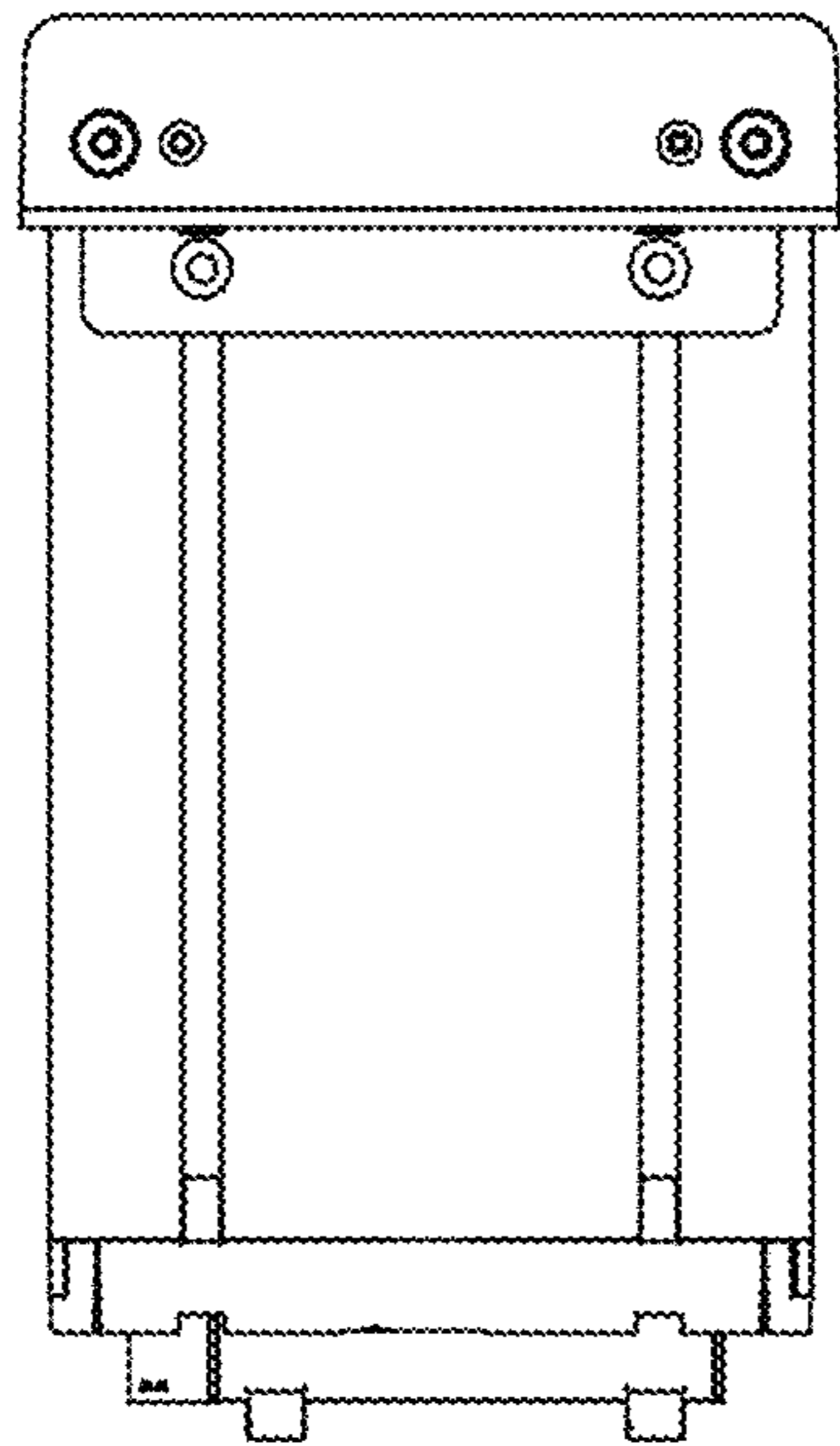


FIG. 3

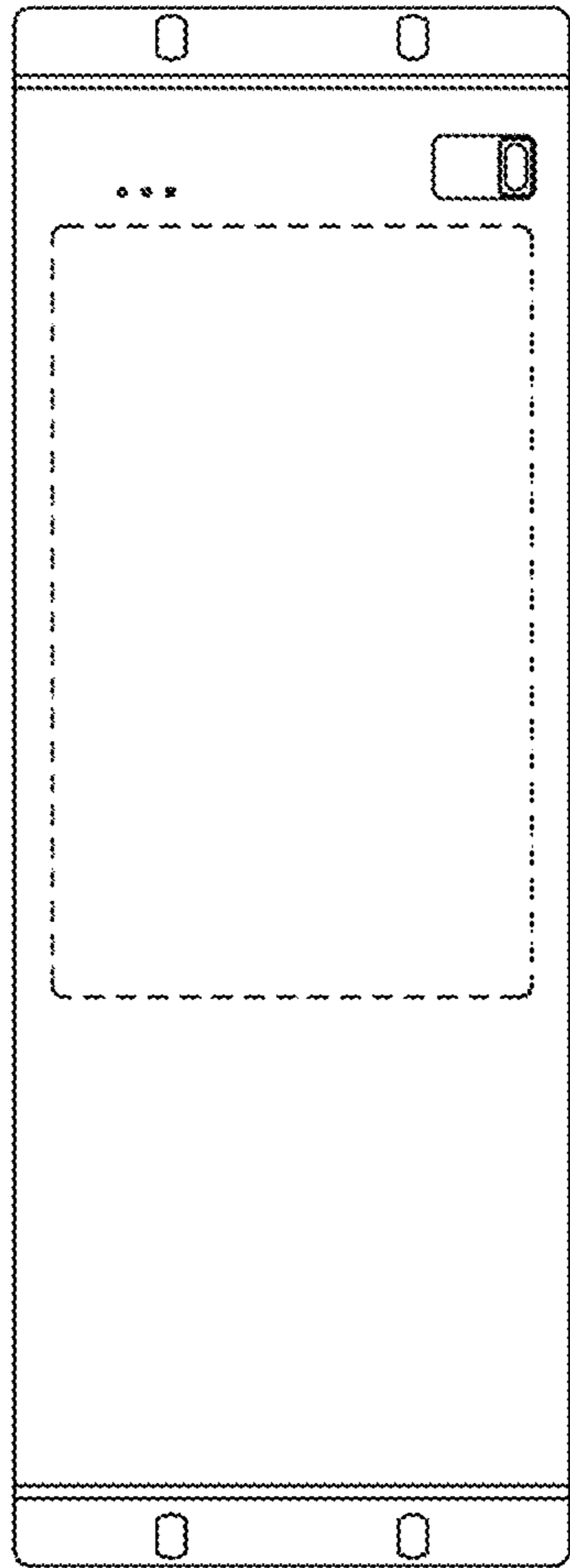


FIG. 4



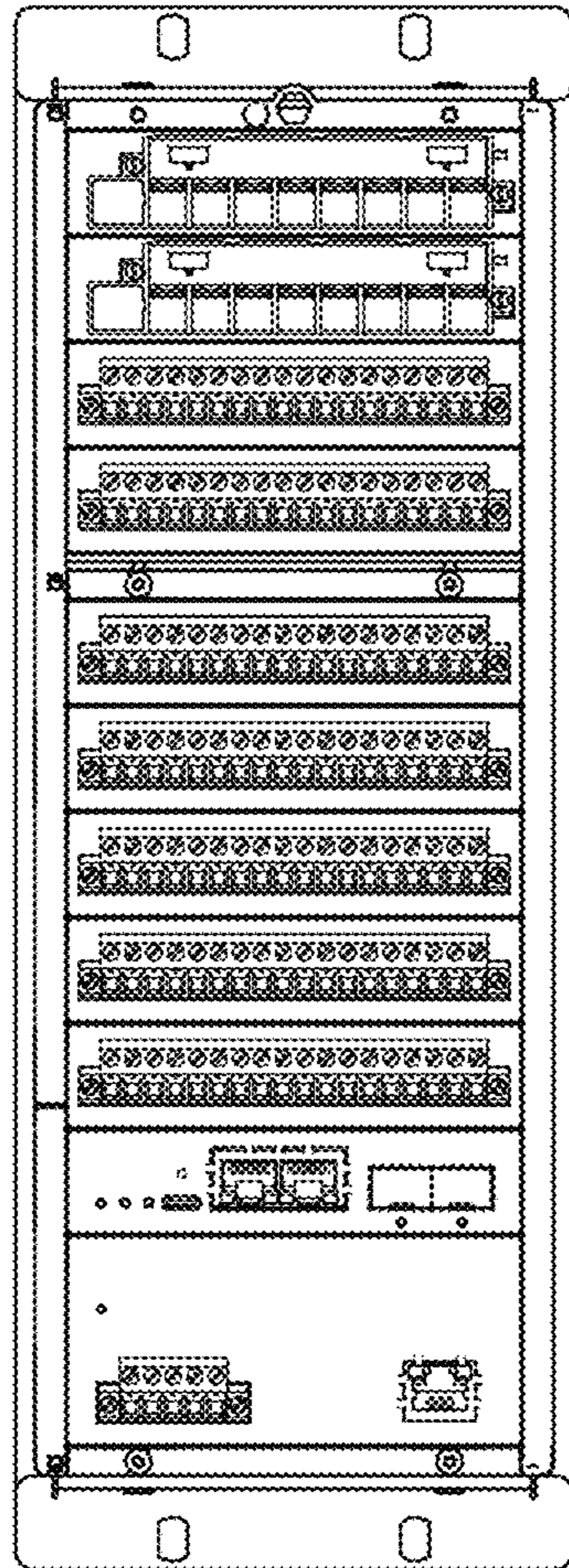


FIG. 5

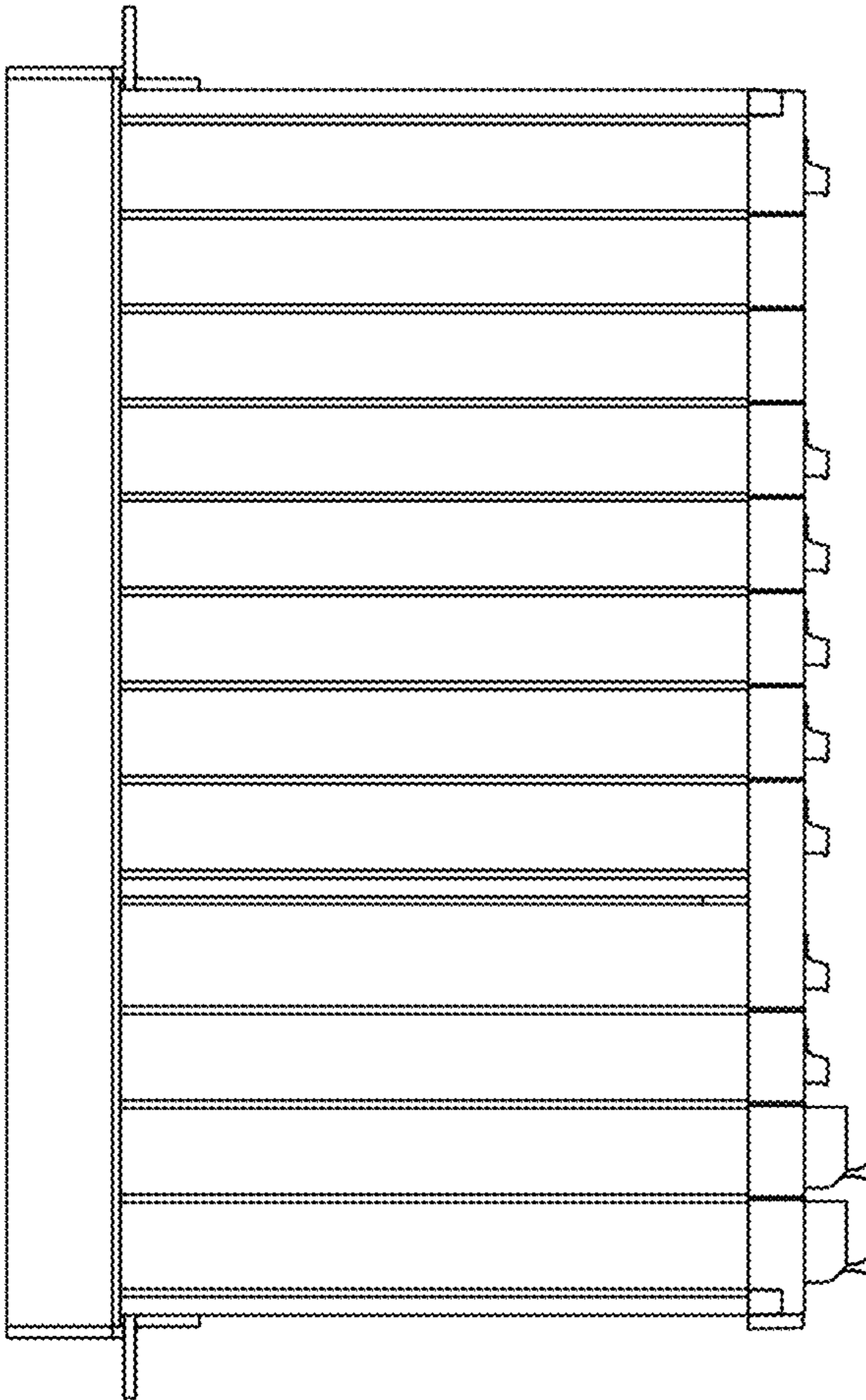


FIG. 6



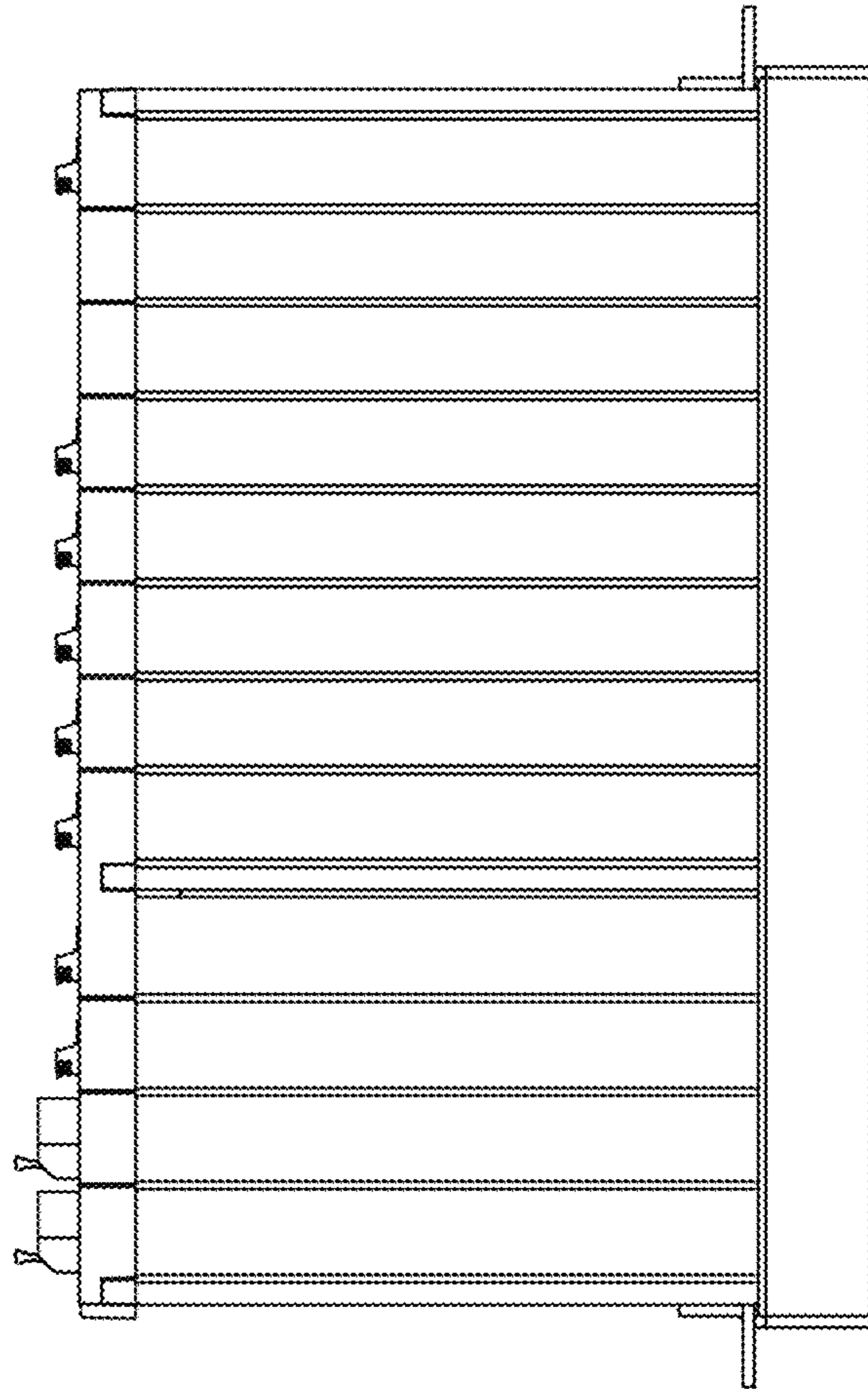


FIG. 7