



US00D929350S

(12) **United States Design Patent** (10) **Patent No.:** **US D929,350 S**  
**Dimberg et al.** (45) **Date of Patent:** **\*\* Aug. 31, 2021**

(54) **TABLETOP REMOTE LOAD CONTROL DEVICE**

(71) Applicant: **Lutron Technology Company LLC**,  
Coopersburg, PA (US)

(72) Inventors: **Chris Lloyd Dimberg**, Easton, PA  
(US); **Elliot G. Jacoby**, Glenside, PA  
(US); **Jason C. Killo**, Emmaus, PA  
(US); **Brad Michael Kreschollek**,  
Bethlehem, PA (US); **Matthew Philip  
McDonald**, Phoenixville, PA (US)

(73) Assignee: **Lutron Technology Company LLC**,  
Coopersburg, PA (US)

(\*\*) Term: **15 Years**

(21) Appl. No.: **29/755,353**

(22) Filed: **Oct. 20, 2020**

**Related U.S. Application Data**

(60) Continuation of application No. 29/713,901, filed on  
Nov. 19, 2019, now Pat. No. Des. 899,383, which is  
a continuation of application No. 29/609,978, filed on  
Jul. 7, 2017, now Pat. No. Des. 867,308, which is a  
continuation of application No. 29/575,110, filed on  
Aug. 22, 2016, now Pat. No. Des. 795,202, which is  
(Continued)

(51) **LOC (13) Cl.** ..... **14-03**

(52) **U.S. Cl.**  
USPC ..... **D13/168**

(58) **Field of Classification Search**  
USPC ..... D13/164, 168; D10/104.12, 106.1;  
D14/218  
CPC .... H03J 1/0025; H03J 9/00; H03J 9/02; H03J  
9/04; H03J 9/06; H01H 2009/187; H01H  
9/02; H01H 9/0214; H01H 9/0242; H01H  
9/18; H05B 39/088; G08C 17/00; G08C  
17/02; G08C 19/28; G08C 23/02; G08C  
23/04

See application file for complete search history.

(56) **References Cited**

U.S. PATENT DOCUMENTS

4,199,883 A 4/1980 Cross  
D259,184 S 4/1981 Francis et al.  
4,496,127 A 1/1985 Nelson  
(Continued)

FOREIGN PATENT DOCUMENTS

CA 123790 S 6/2009

OTHER PUBLICATIONS

U.S. Appl. No. 29/575,107, filed Aug. 22, 2016 (unpublished).  
(Continued)

*Primary Examiner* — Selina Sikder

(74) *Attorney, Agent, or Firm* — Michael S. Czarnecki;  
Glen R. Farbanish; Philip N. Smith

(57) **CLAIM**

We claim the ornamental design for a tabletop remote load control device, as shown and described.

**DESCRIPTION**

FIG. 1 is a perspective view of a tabletop remote load control device.

FIG. 2 is a top view thereof.

FIG. 3 is a left side view thereof.

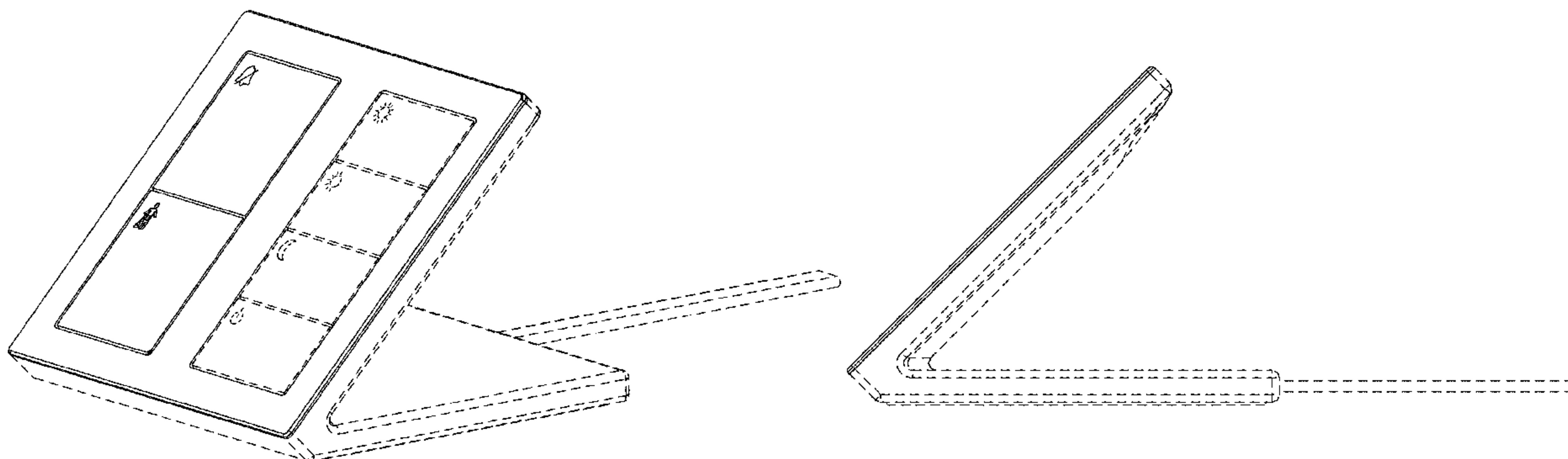
FIG. 4 is a right side view thereof.

FIG. 5 is a front view thereof; and,

FIG. 6 is a rear view thereof.

The bottom view forms no part of the design and is omitted. The broken lines showing portions of the tabletop remote load control device are for the purpose of illustrating environmental structure and form no part of the claimed design.

**1 Claim, 4 Drawing Sheets**



**Related U.S. Application Data**

a division of application No. 29/512,028, filed on Dec. 16, 2014, now Pat. No. Des. 767,508.

(56)

**References Cited**

U.S. PATENT DOCUMENTS

D278,109 S	3/1985	Leeds
D329,609 S	9/1992	Wolff
D348,481 S	7/1994	Grant
D367,647 S	3/1996	Faggard et al.
D370,355 S	6/1996	Kenney
5,876,106 A	3/1999	Kordecki
D416,284 S	11/1999	O'Malley
6,120,262 A	9/2000	McDonough et al.
D440,542 S	4/2001	Hawkins et al.
D450,043 S	11/2001	Mosebrook
D496,335 S	9/2004	Spira
D511,110 S	11/2005	Rodela
D537,046 S	2/2007	Blair et al.
7,312,695 B2	12/2007	Lehmer et al.
D559,559 S	1/2008	Butcher
D576,564 S	9/2008	Hewson et al.
D622,078 S	8/2010	Stukenberg
D626,092 S	10/2010	Clymer et al.
D627,307 S	11/2010	Petrillo et al.
D631,855 S	2/2011	Blair et al.
D633,874 S	3/2011	Feldstein et al.
D636,739 S	4/2011	Petrillo et al.
D641,175 S	7/2011	Tang
D647,066 S	10/2011	Jacoby et al.
D649,123 S	11/2011	Jacoby et al.
D658,594 S	5/2012	Felegy, Jr. et al.
D661,266 S	6/2012	Laube et al.
D666,619 S	9/2012	May
D669,038 S	10/2012	Felegy, Jr. et al.
8,469,204 B1	6/2013	Bradshaw

D691,818 S	10/2013	Shibata et al.	
D694,197 S	11/2013	Felegy, Jr. et al.	
D694,716 S	12/2013	Felegy, Jr. et al.	
D704,151 S	5/2014	Jacoby et al.	
D712,867 S	9/2014	Vats	
D718,724 S	12/2014	Clymer et al.	
D733,076 S	6/2015	Jacoby et al.	
D733,667 S	7/2015	Jacoby et al.	
D734,277 S *	7/2015	Jacoby .....	D13/171
D749,564 S	2/2016	Cho et al.	
D760,214 S	6/2016	Kemper	
D767,508 S	6/2016	Dimberg et al.	
D768,582 S *	10/2016	Jacoby .....	D13/171
D774,485 S	12/2016	Kano et al.	
D794,580 S	8/2017	Dimberg et al.	
D795,202 S	8/2017	Dimberg et al.	
D803,793 S *	11/2017	Jacoby .....	D13/171
D856,940 S *	8/2019	Jacoby .....	D13/164
D867,308 S	11/2019	Dimberg et al.	
D873,781 S	1/2020	You et al.	
D899,383 S *	10/2020	Dimberg .....	D13/168
2002/0135974 A1	9/2002	Bell et al.	
2012/0013450 A1	1/2012	Lee et al.	

OTHER PUBLICATIONS

Lutron Electronics Co., Inc., Stancza Hotel Guestroom Light Control Brochure, Feb. 20, 2008, 12 pages.

Vantage Controls Inc., Vantage Online Binder, 2004, pp. 1, 3-4, 7, 33-34, 113.

Lutron Electronics Co., Inc., Residential Lighting Control Catalog, 2001, front cover, p. 79, rear cover.

Lutron Electronics Co., Inc., Pico Wallstations Installation, Apr. 2013, pp. 1-8, Lutron Electronics Co., Inc., Coopersburg, Pennsylvania.

\* cited by examiner

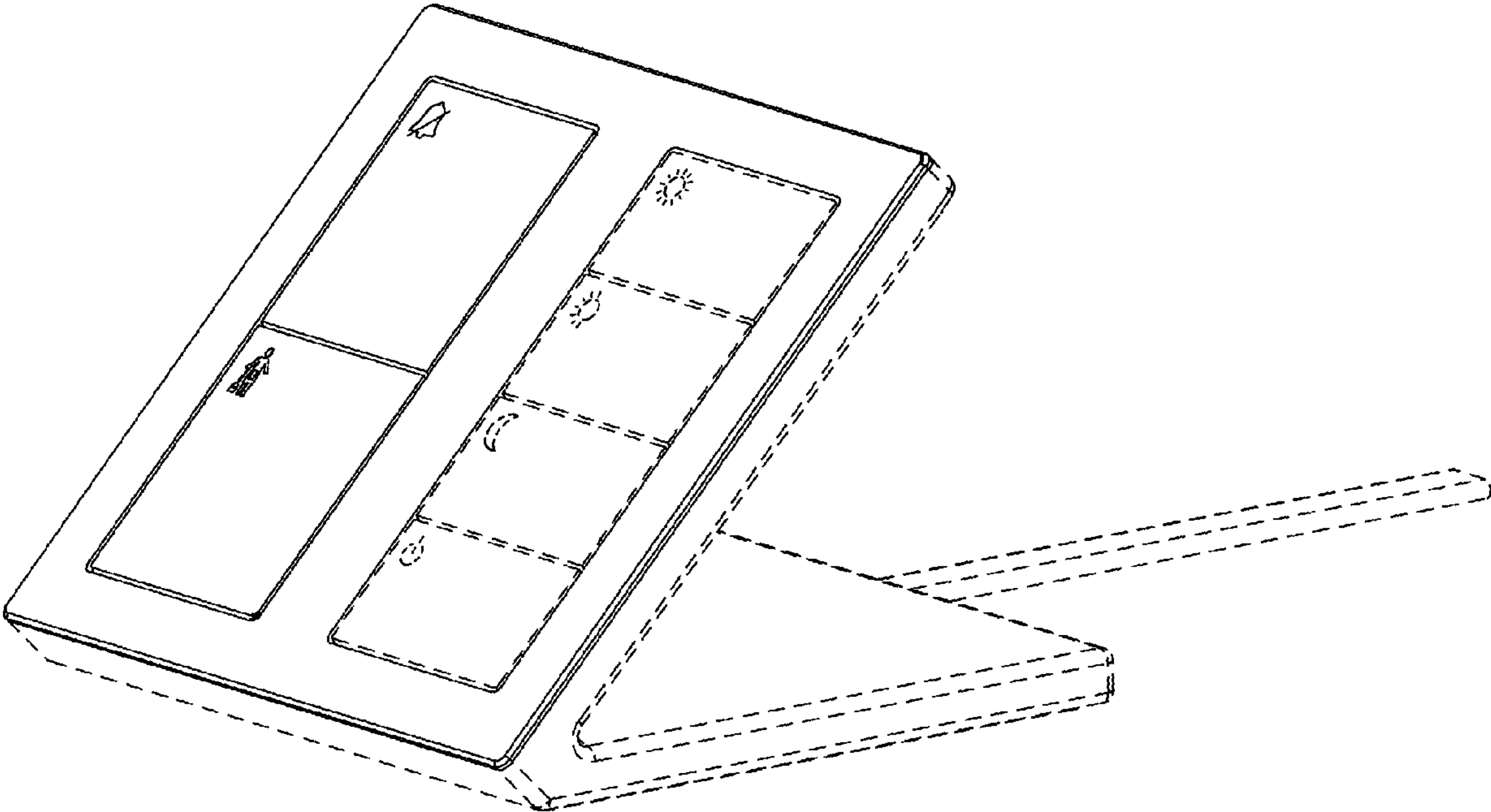


Fig. 1

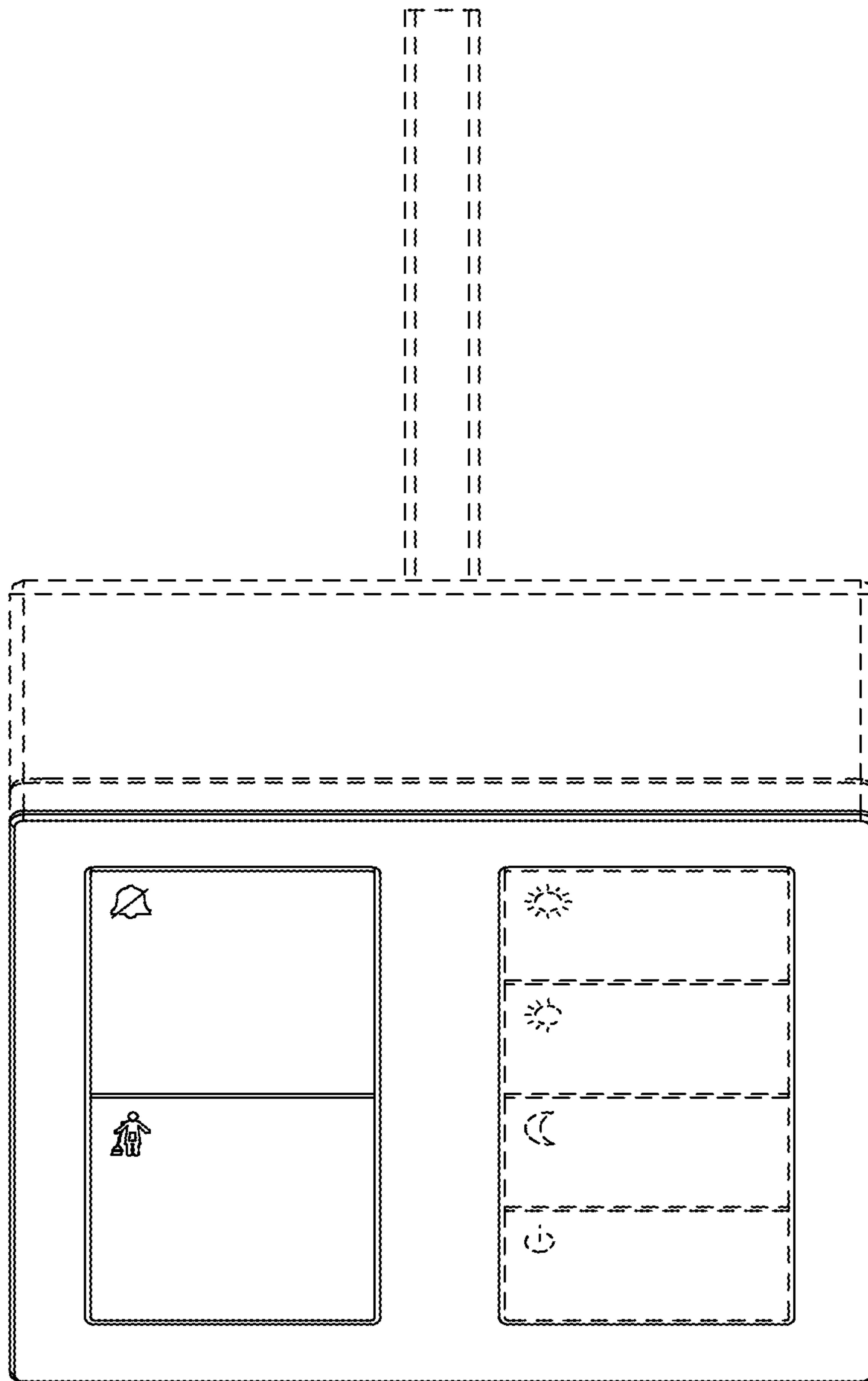


Fig. 2

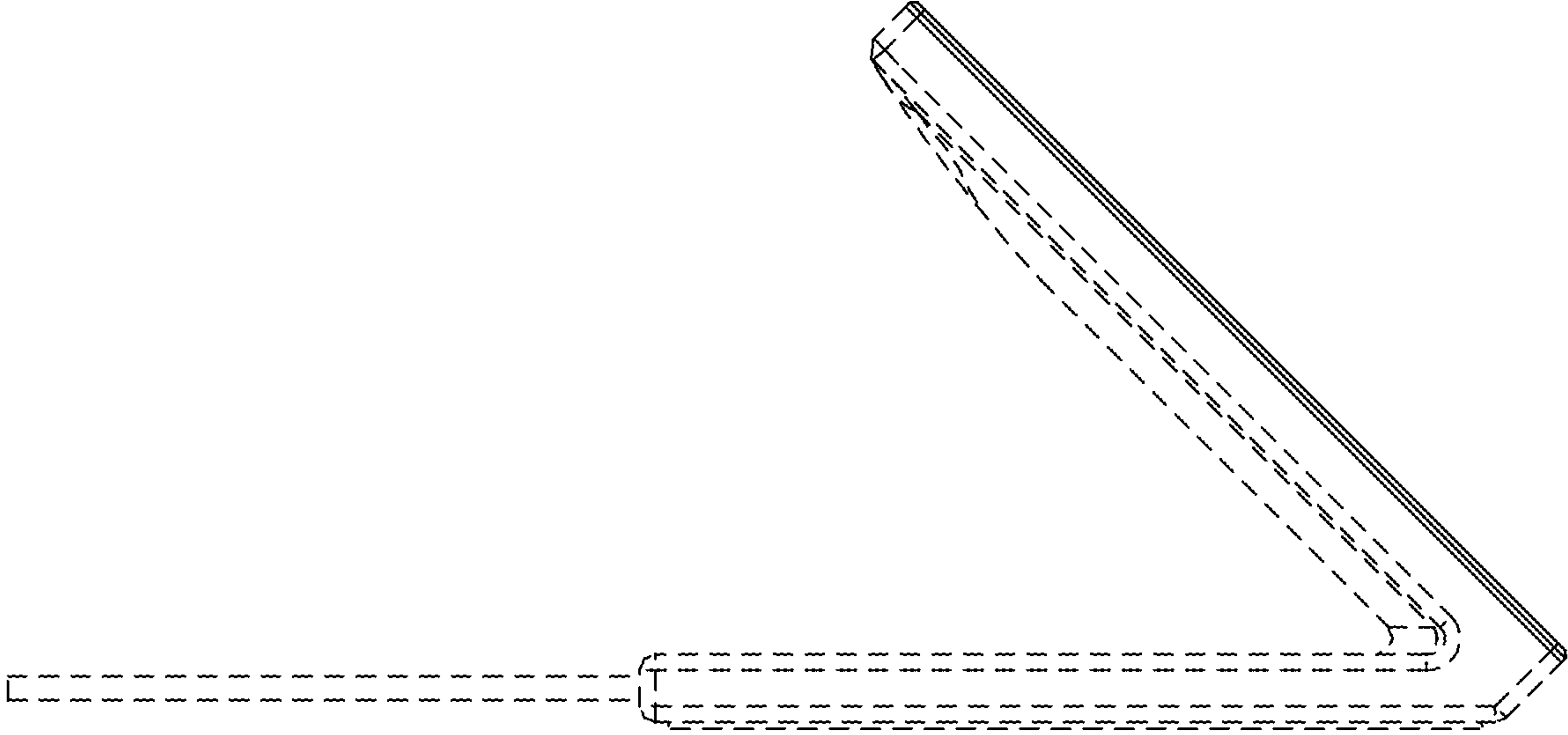


Fig. 3

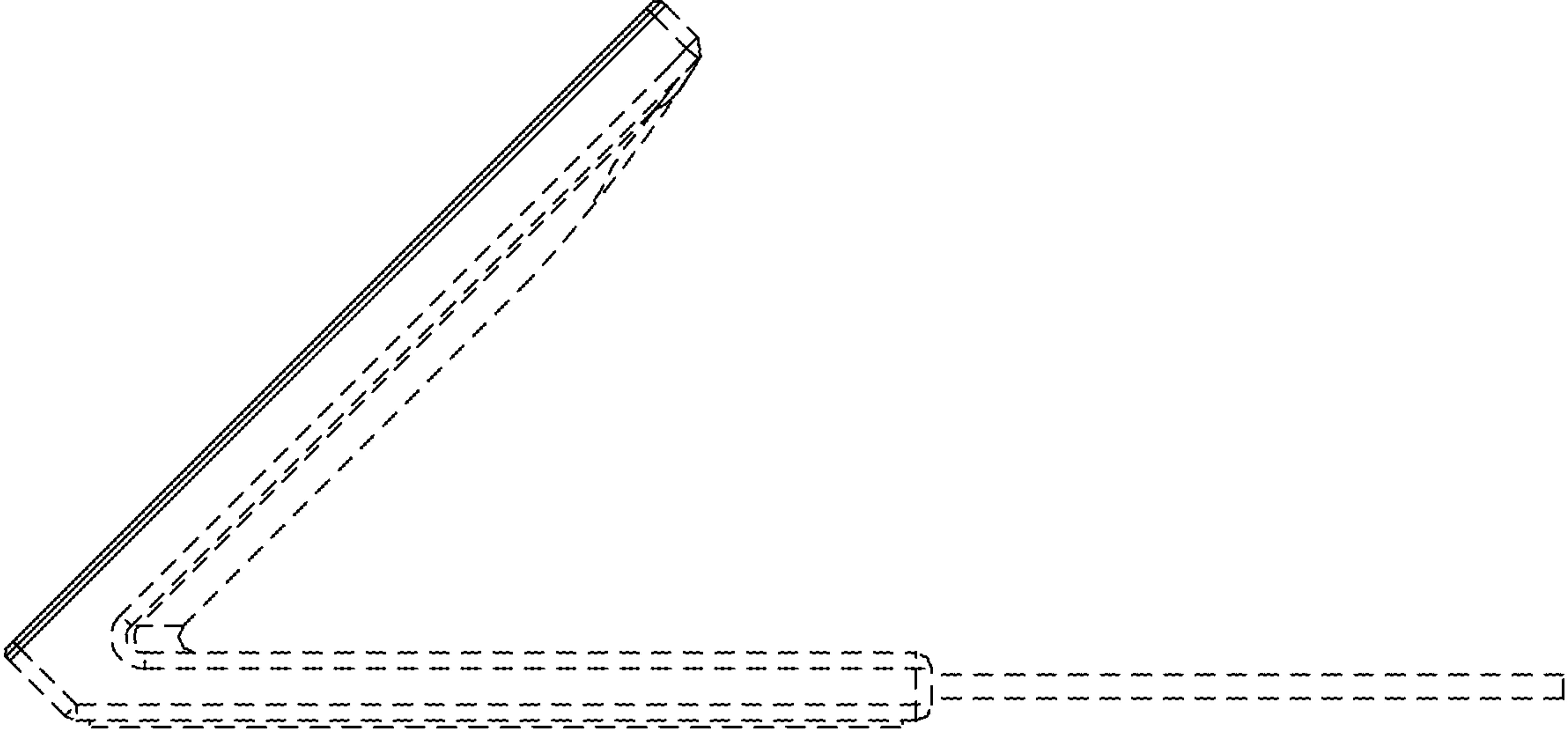


Fig. 4



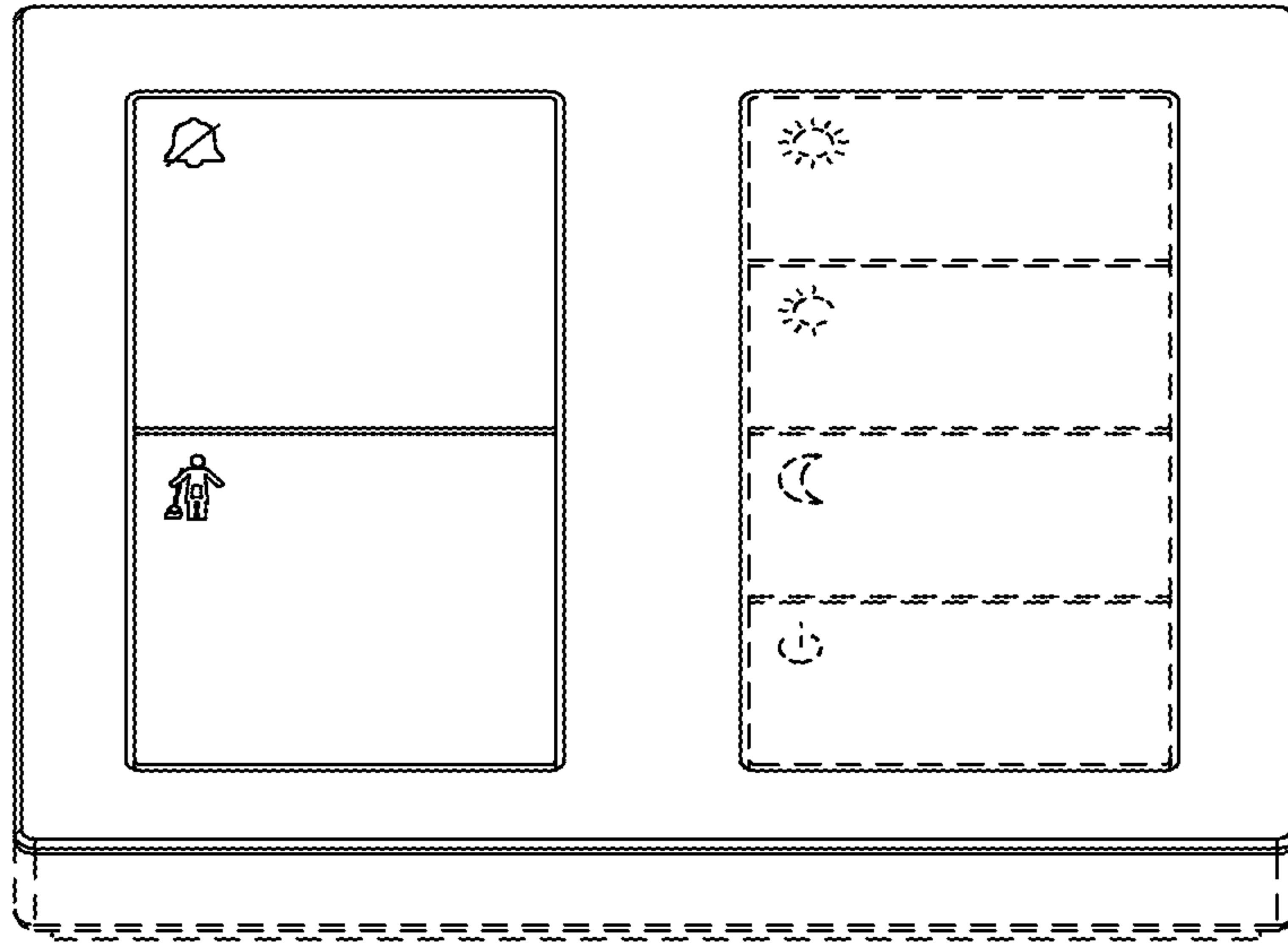


Fig. 5

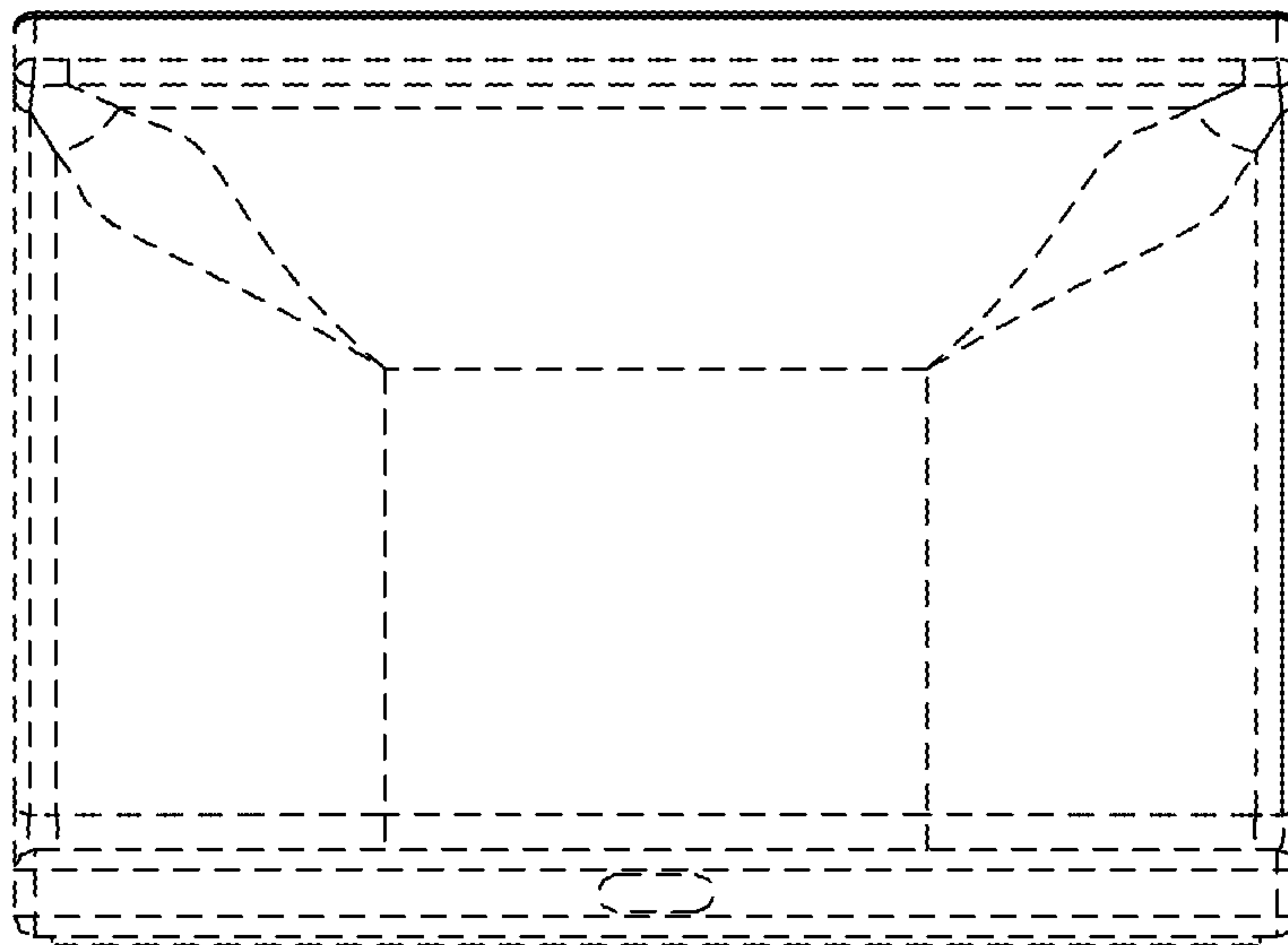


Fig. 6