



US00D929347S

(12) **United States Design Patent**  
**Bradford**

(10) **Patent No.:** **US D929,347 S**

(45) **Date of Patent:** **\*\* Aug. 31, 2021**

- (54) **ELECTRICAL OUTLET COVER**
- (71) Applicant: **Iba Innovations LLC**, West Jordan, UT (US)
- (72) Inventor: **Christopher Bradford**, West Jordan, UT (US)
- (73) Assignee: **IBA INNOVATIONS LLC**, West Jordan, UT (US)
- (\*\*) Term: **15 Years**
- (21) Appl. No.: **29/706,379**
- (22) Filed: **Sep. 19, 2019**
- (51) **LOC (13) Cl.** ..... **13-03**
- (52) **U.S. Cl.**  
USPC ..... **D13/156**
- (58) **Field of Classification Search**  
USPC ..... D13/110, 123, 133, 137.1, 139.1, 139.4, D13/152, 154, 155, 156, 158, 162, 164, D13/173, 177, 184; D8/349-351, 353  
CPC ..... H02G 3/14; H02G 3/081; H01R 13/6395; H01R 13/447; H01R 25/006  
See application file for complete search history.

- 7,070,426 B2 \* 7/2006 DeCell, Jr. .... H01R 13/443 439/135
- 8,093,497 B2 \* 1/2012 White ..... H02G 3/14 174/67
- D823,815 S \* 7/2018 Marsden ..... D13/156
- D849,692 S \* 5/2019 Marsden ..... D13/156

**OTHER PUBLICATIONS**

Amazon.com. Iba Innovations Nestable Plug Covers. Earliest review date: May 2020 (Year: 2020).\*

\* cited by examiner

*Primary Examiner* — Jennifer O King

(74) *Attorney, Agent, or Firm* — Kunzler Bean & Adamson, PC

(57) **CLAIM**

The ornamental design for an electrical outlet cover, as shown and described.

**DESCRIPTION**

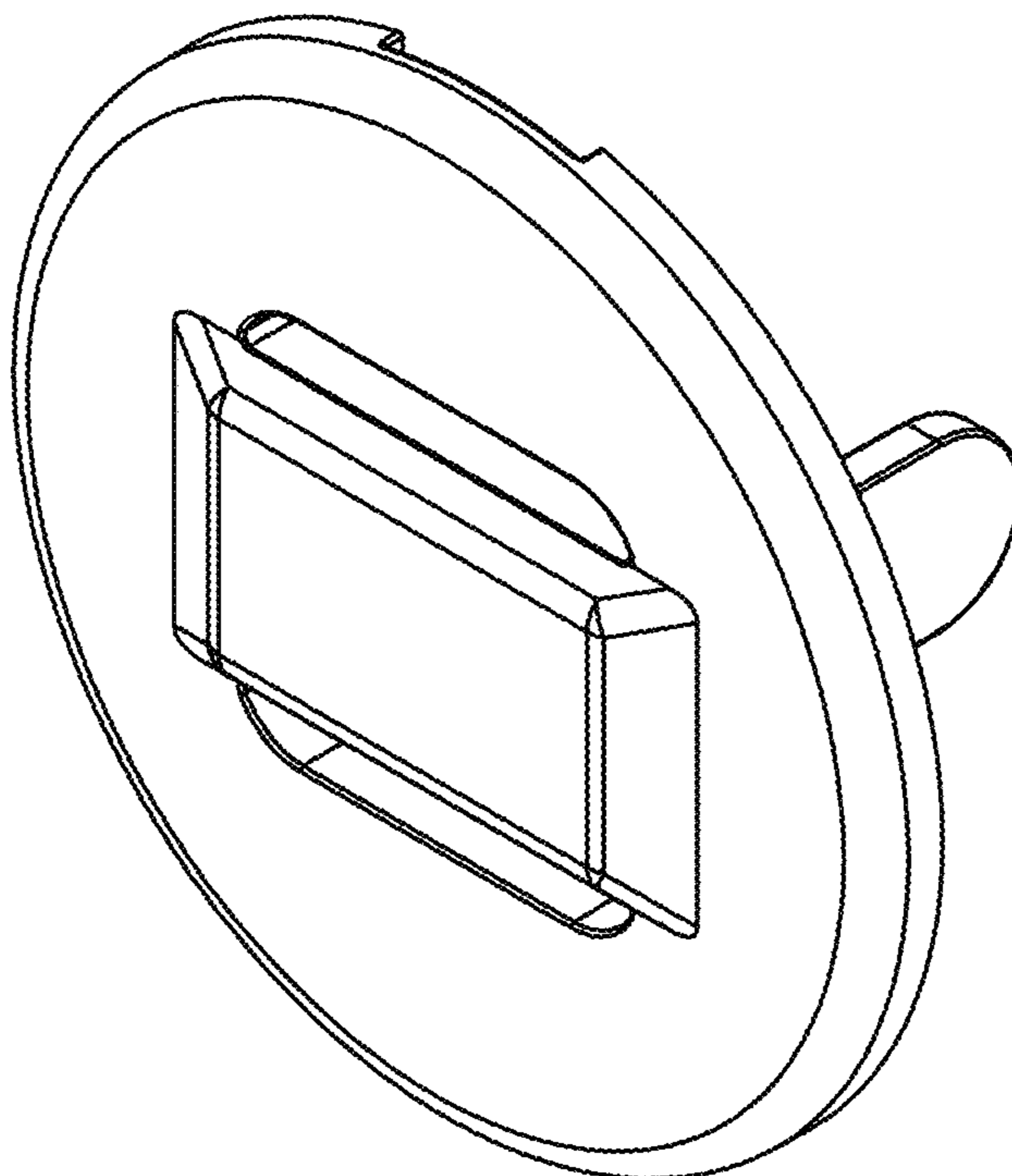
FIG. 1 is a perspective view of an electrical outlet cover; FIG. 2 is a front view of the electrical outlet cover; FIG. 3 is a rear view of the electrical outlet cover; FIG. 4 is a left view of the electrical outlet cover; FIG. 5 is a right view of the electrical outlet cover; FIG. 6 is a top view of the electrical outlet cover; and, FIG. 7 is a bottom view of the electrical outlet cover. The broken lines shown represent portions of the electrical outlet cover that form no part of the claimed design.

**1 Claim, 7 Drawing Sheets**

(56) **References Cited**

**U.S. PATENT DOCUMENTS**

- D28,471 S \* 4/1898 Newton ..... D13/178
- D118,923 S \* 2/1940 Williams ..... D13/133
- D118,924 S \* 2/1940 Williams ..... D13/154
- D222,262 S \* 10/1971 Hartford ..... D13/156
- 5,320,542 A \* 6/1994 Cheng ..... H01R 13/443 174/67
- D359,270 S \* 6/1995 Connelly ..... D13/154



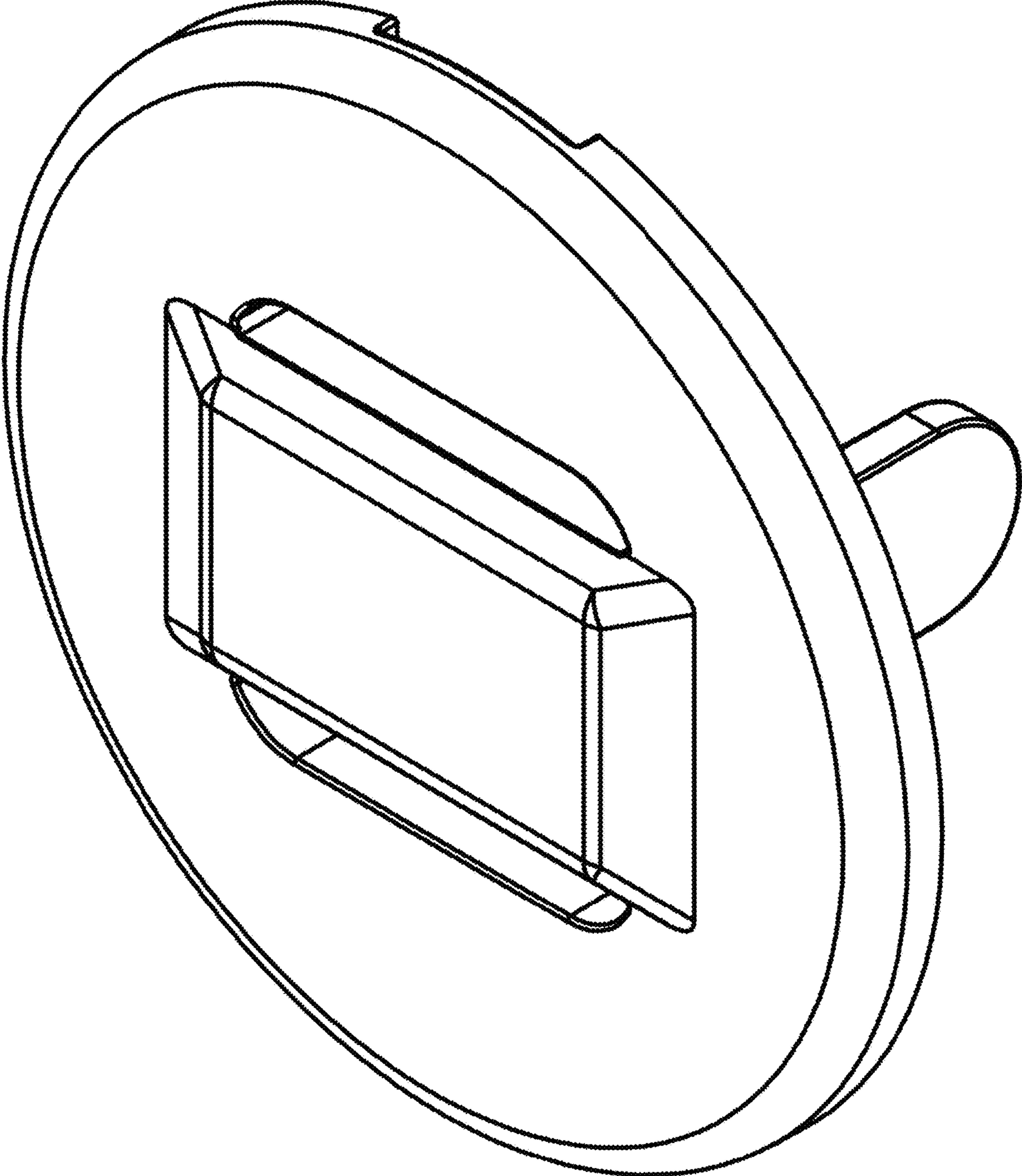


FIG. 1

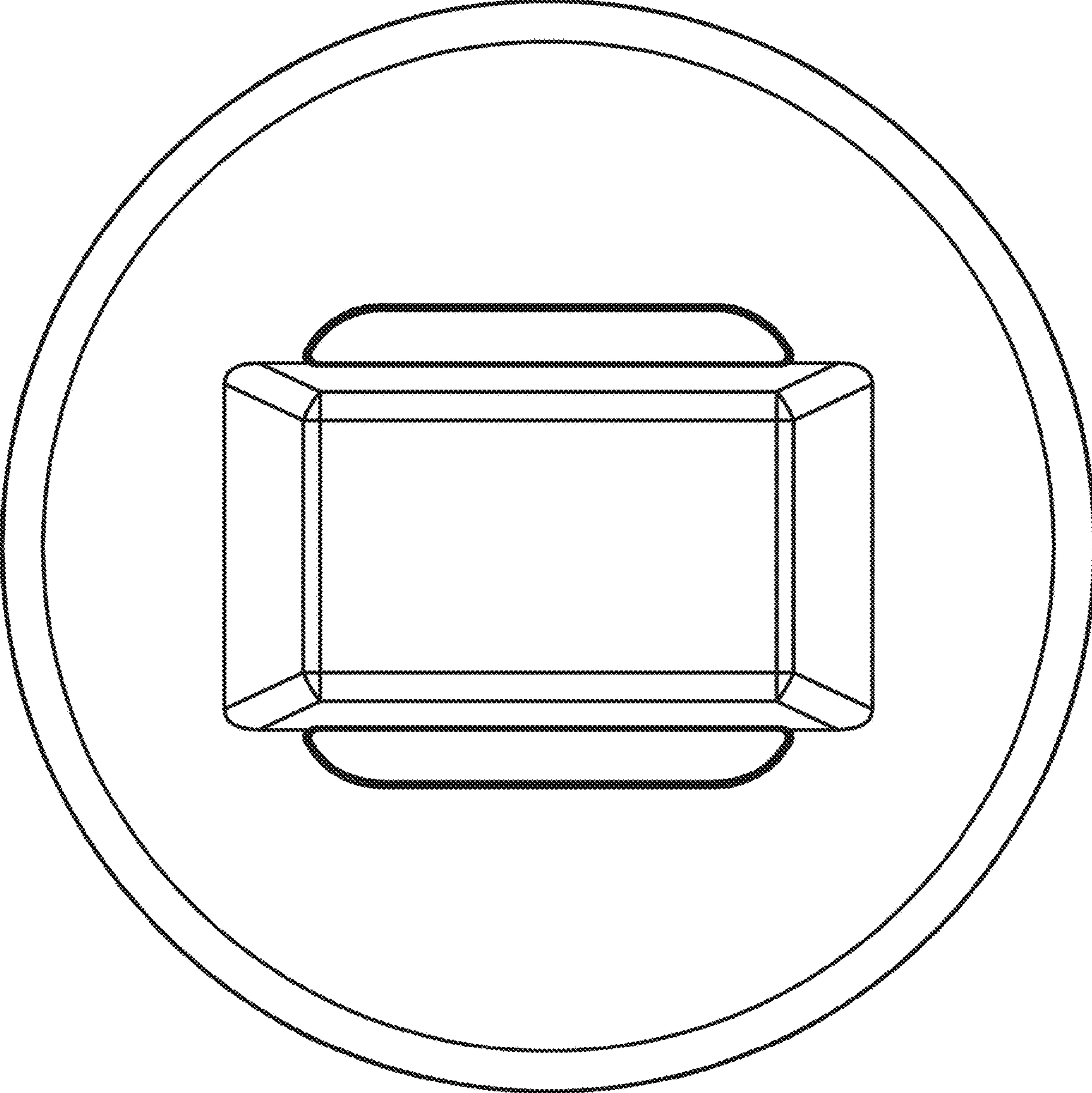


FIG. 2

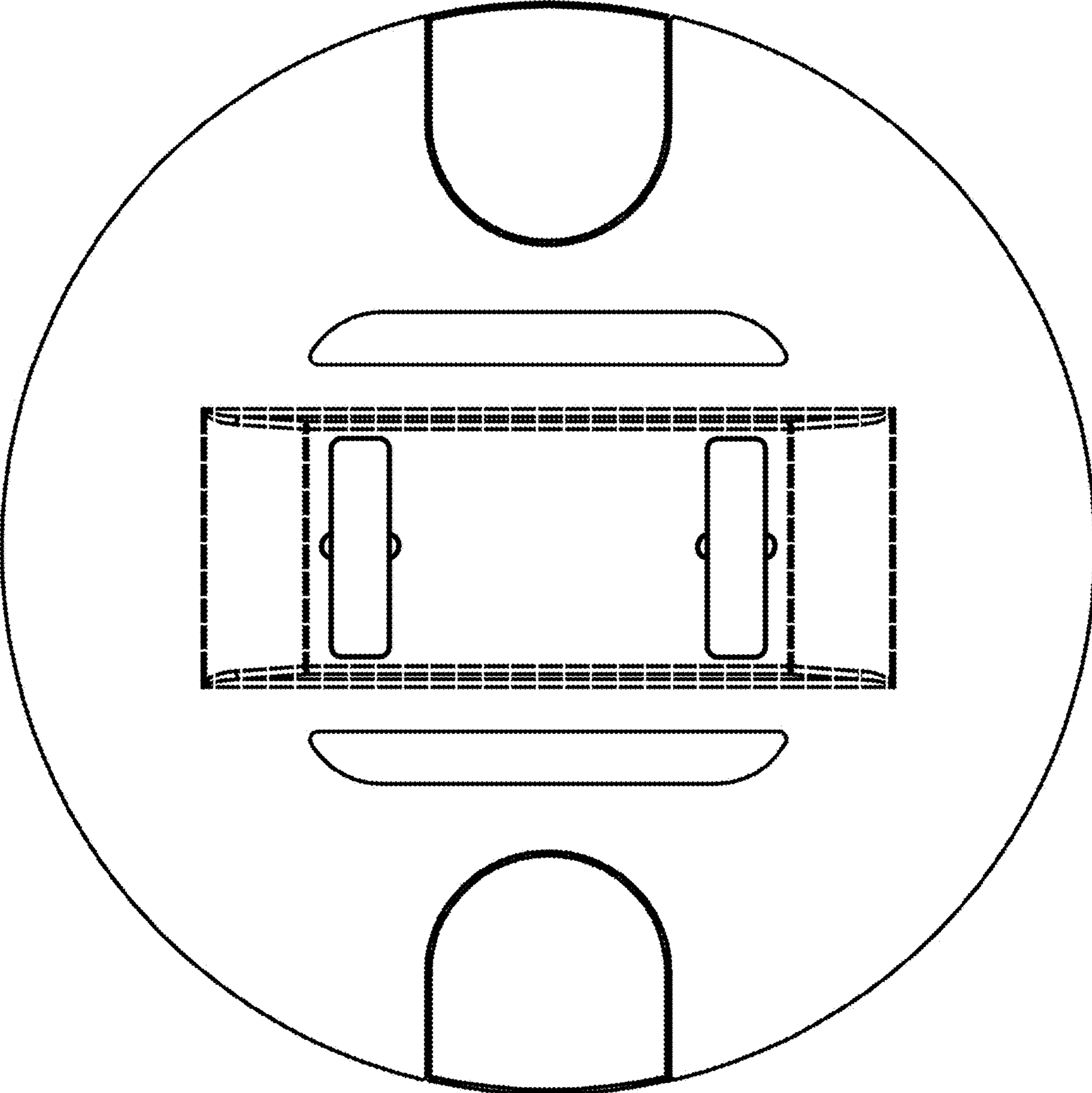


FIG. 3

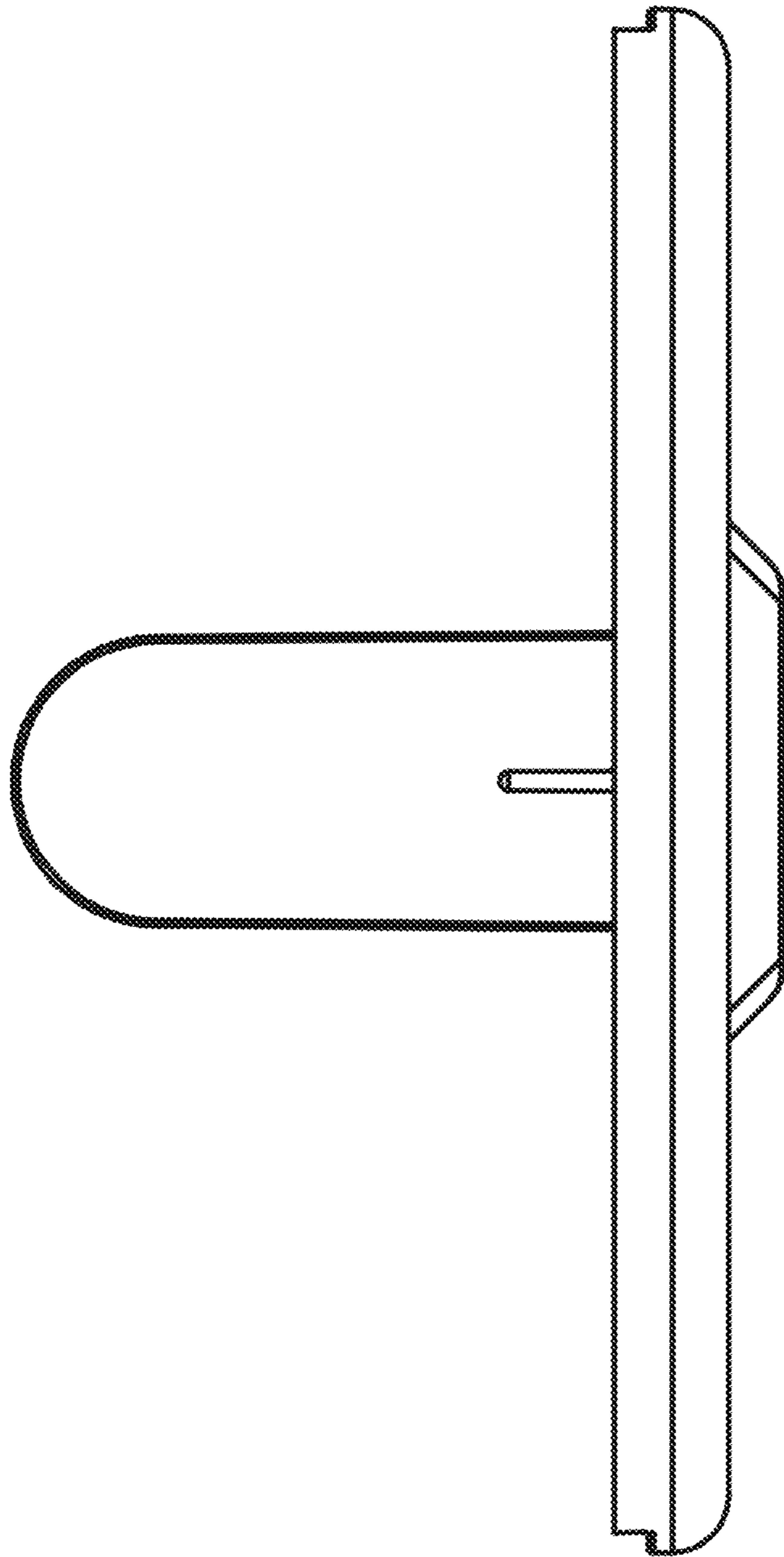


FIG. 4

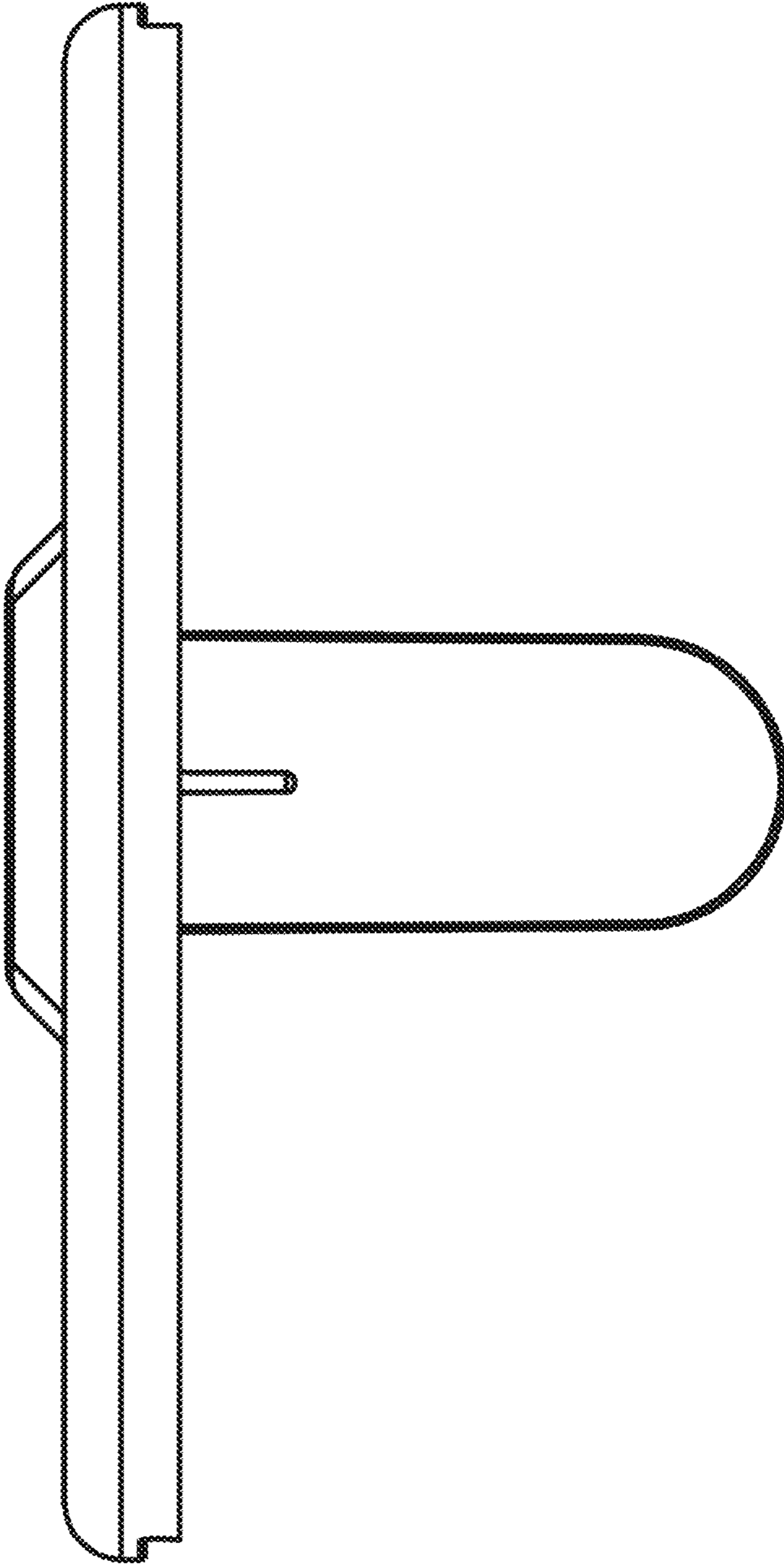


FIG. 5

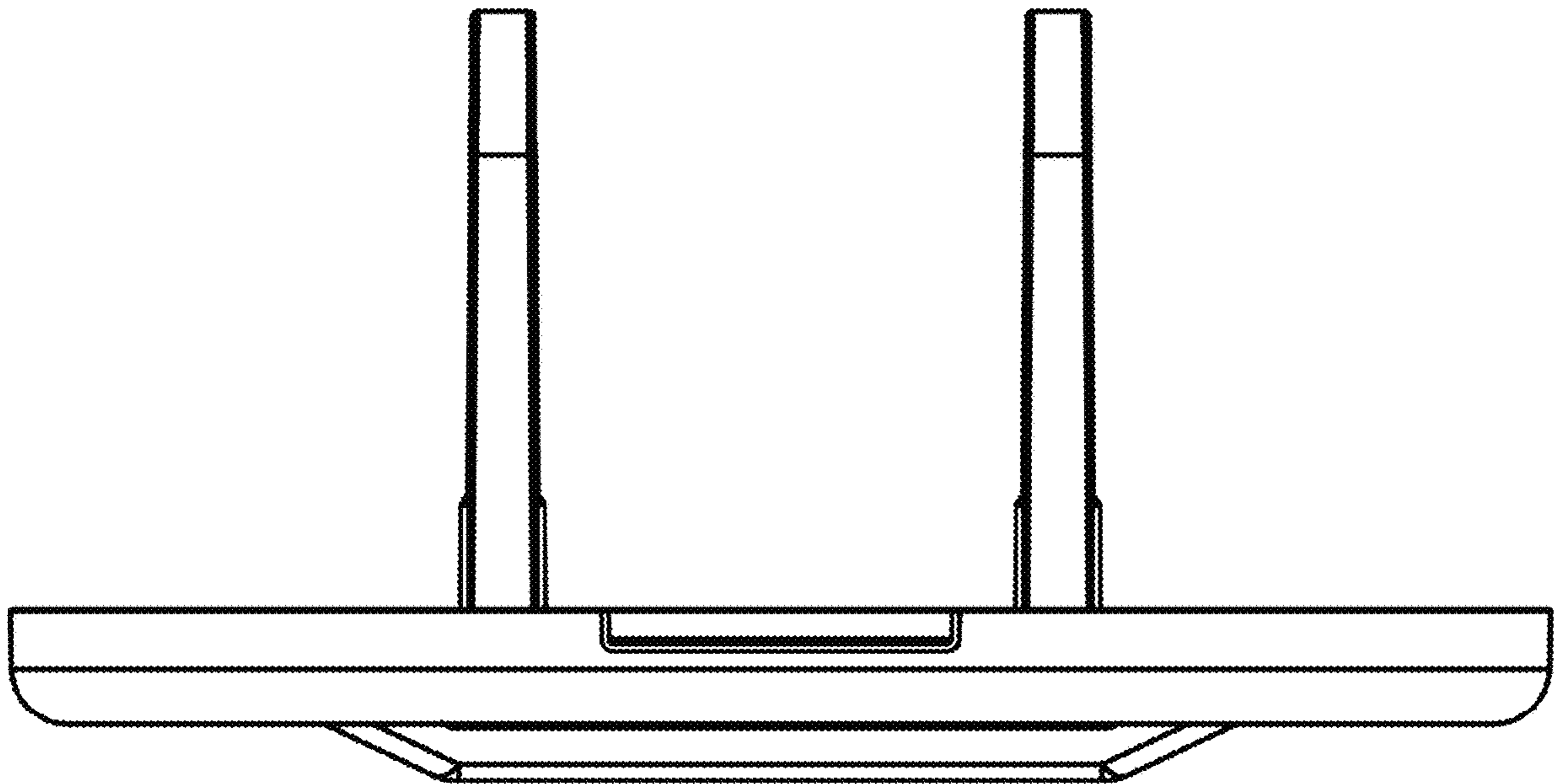


FIG. 6

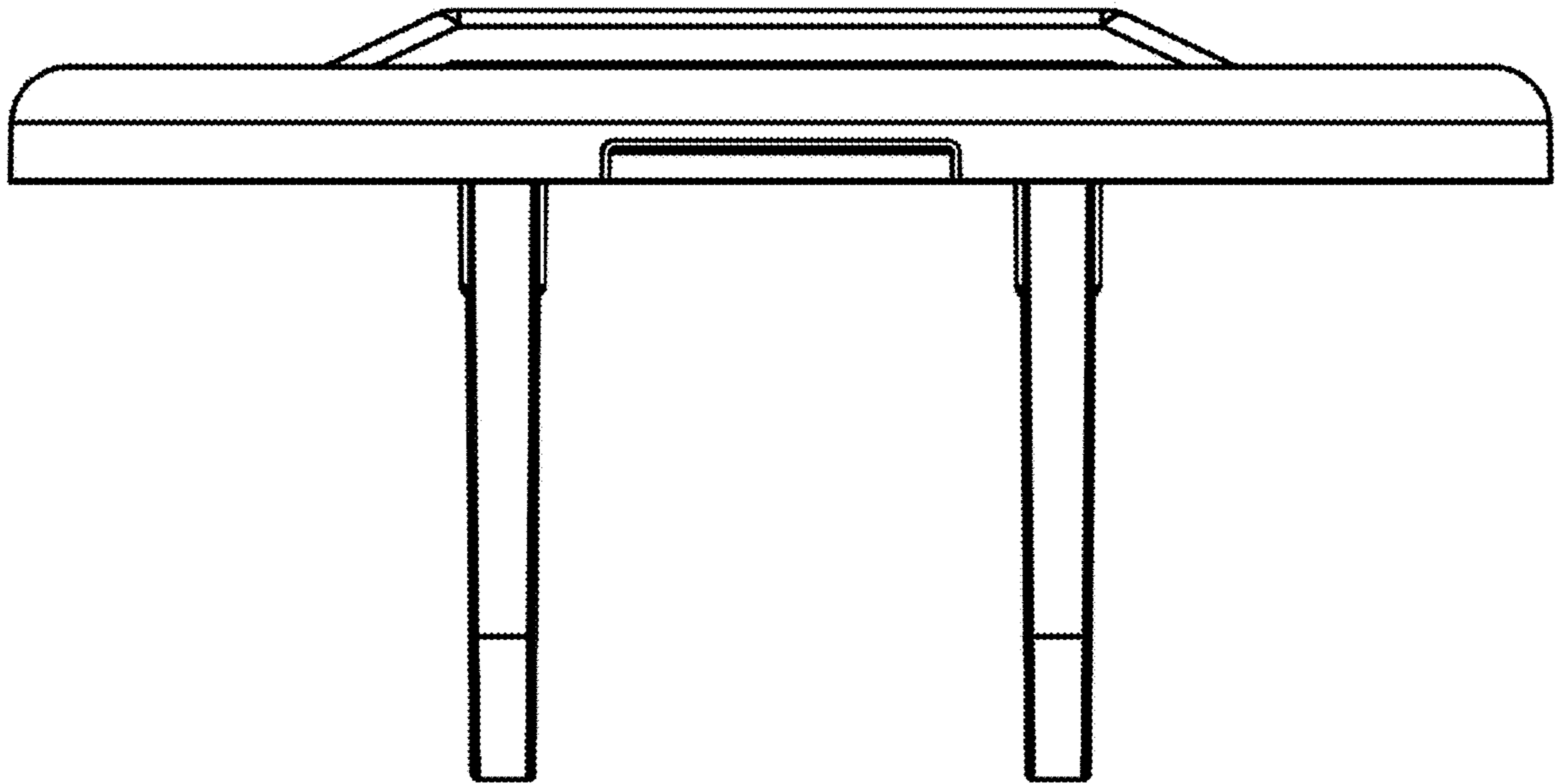


FIG. 7