



US00D929346S

(12) **United States Design Patent** (10) **Patent No.:** **US D929,346 S**  
**Wu** (45) **Date of Patent:** **\*\* Aug. 31, 2021**

(54) **TERMINAL OF TERMINAL BLOCK**

(71) Applicants: **DINKLE ENTERPRISE CO., LTD.**,  
New Taipei (TW); **DINKLE**  
**ELECTRIC MACHINERY (CHINA)**  
**CO., LTD.**, Jiangsu (CN)

(72) Inventor: **Shang-Tsai Wu**, New Taipei (TW)

(73) Assignees: **DINKLE ENTERPRISE CO., LTD.**,  
New Taipei (TW); **DINKLE**  
**ELECTRIC MACHINERY (CHINA)**  
**CO., LTD.**, Jiangsu (CN)

(\*\*) Term: **15 Years**

(21) Appl. No.: **29/735,555**

(22) Filed: **May 21, 2020**

(51) **LOC (13) Cl.** ..... **13-03**

(52) **U.S. Cl.**  
USPC ..... **D13/154**

(58) **Field of Classification Search**  
USPC ..... D13/118, 120, 123, 133, 146, 147, 149,  
D13/154, 159, 184, 199; D8/353, 382,  
D8/394  
CPC .... H01R 13/52; H01R 13/62; H01R 13/2407;  
H01R 13/6271; H01R 13/6272; H01R  
13/6275; H01R 13/6278; H01R 4/38;  
H01R 4/48; H01R 4/836; H01R 4/4845;  
H01R 9/24; H01R 9/2416; H01R 9/2616  
See application file for complete search history.

(56) **References Cited**

**U.S. PATENT DOCUMENTS**

D410,226 S \* 5/1999 Yoshiura ..... D13/133  
D425,488 S \* 5/2000 Byrd ..... D13/154

D478,315 S \* 8/2003 Kondas ..... D13/146  
D516,524 S \* 3/2006 Su ..... D13/154  
D607,836 S \* 1/2010 Yang ..... D13/154  
D634,273 S \* 3/2011 Damon ..... D13/120  
D847,095 S \* 4/2019 Wan ..... D13/147

\* cited by examiner

*Primary Examiner* — Derrick E Holland

(74) *Attorney, Agent, or Firm* — Chun-Ming Shih; HDLS  
IPR Services

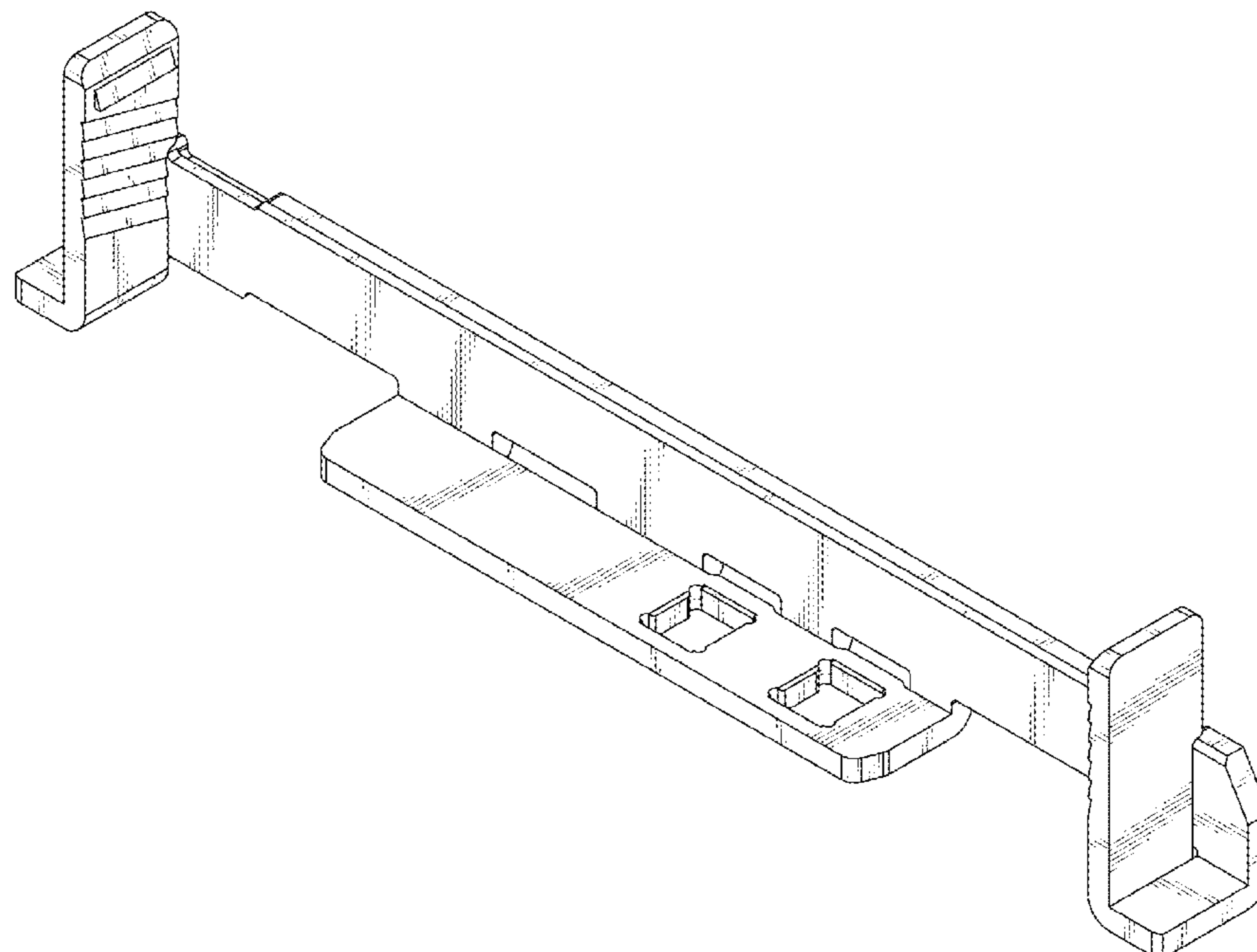
(57) **CLAIM**

The ornamental design for a terminal of terminal block, as  
shown and described.

**DESCRIPTION**

FIG. 1 is a perspective view of a terminal of terminal block  
showing my new design;  
FIG. 2 is a front view thereof;  
FIG. 3 is a rear view thereof;  
FIG. 4 is a left side view thereof;  
FIG. 5 is a right side view thereof;  
FIG. 6 is a top view thereof;  
FIG. 7 is a bottom view thereof;  
FIG. 8 is second perspective view thereof; and,  
FIG. 9 is a perspective view showing the terminal of  
terminal block for reference.  
The broken lines in the drawings illustrate portions of the  
terminal of terminal block that form no part of the claimed  
design.

**1 Claim, 9 Drawing Sheets**



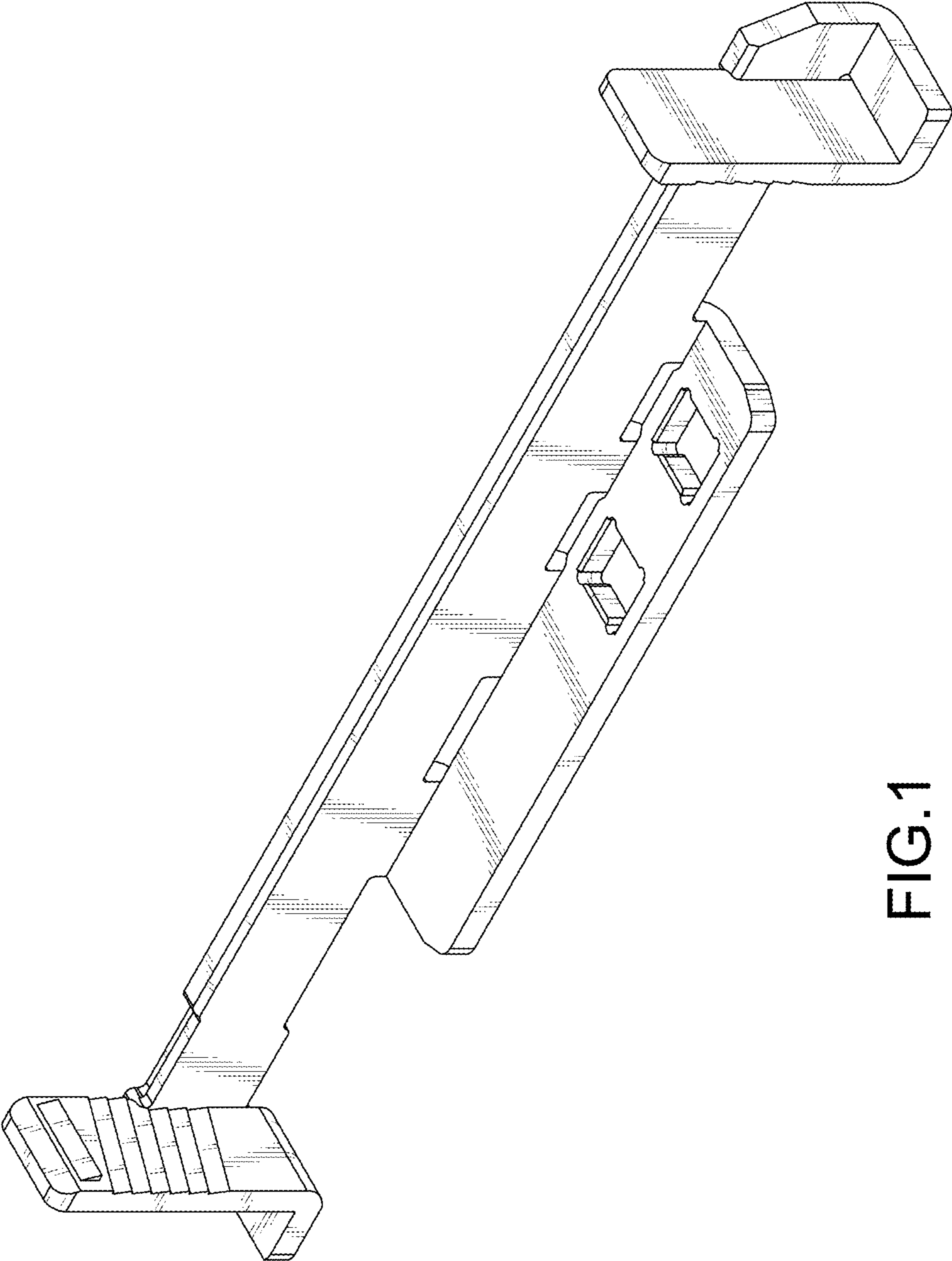


FIG.1

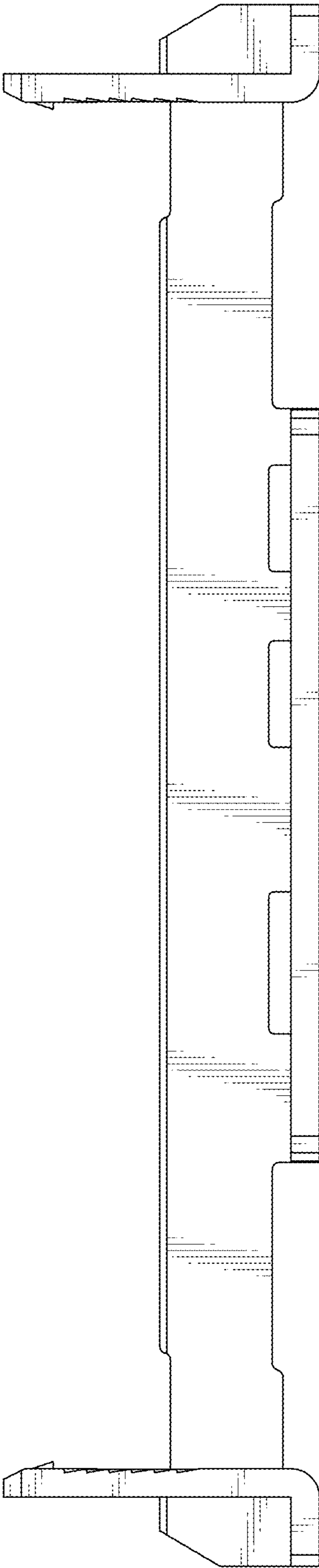


FIG.2

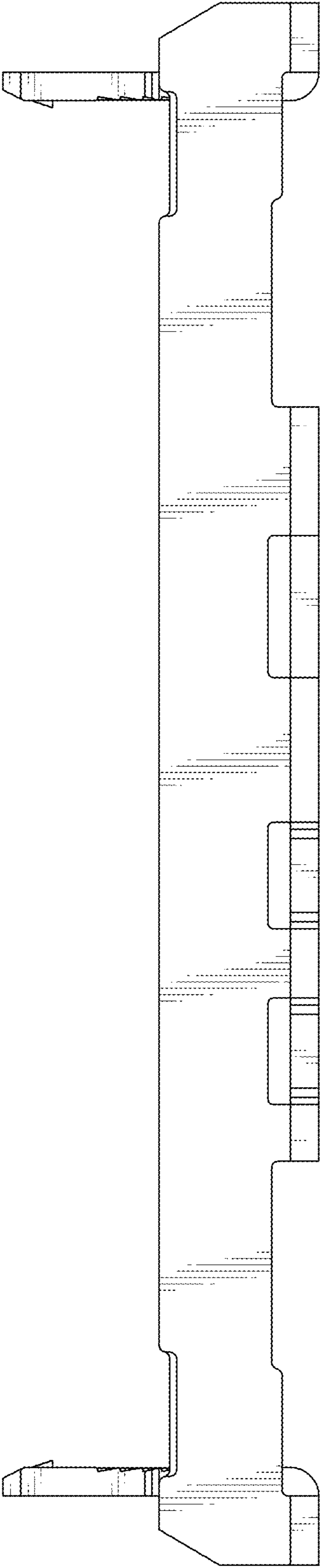


FIG.3

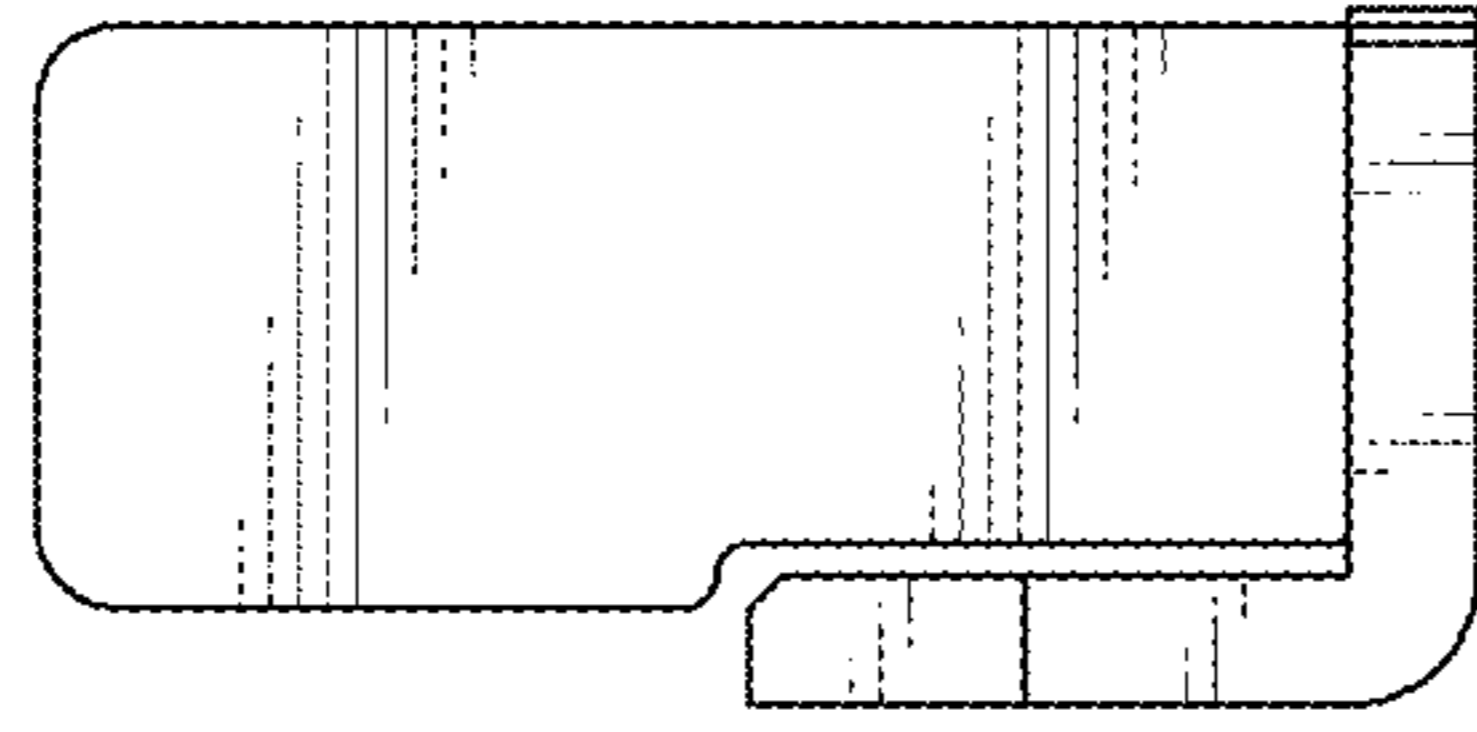


FIG.4

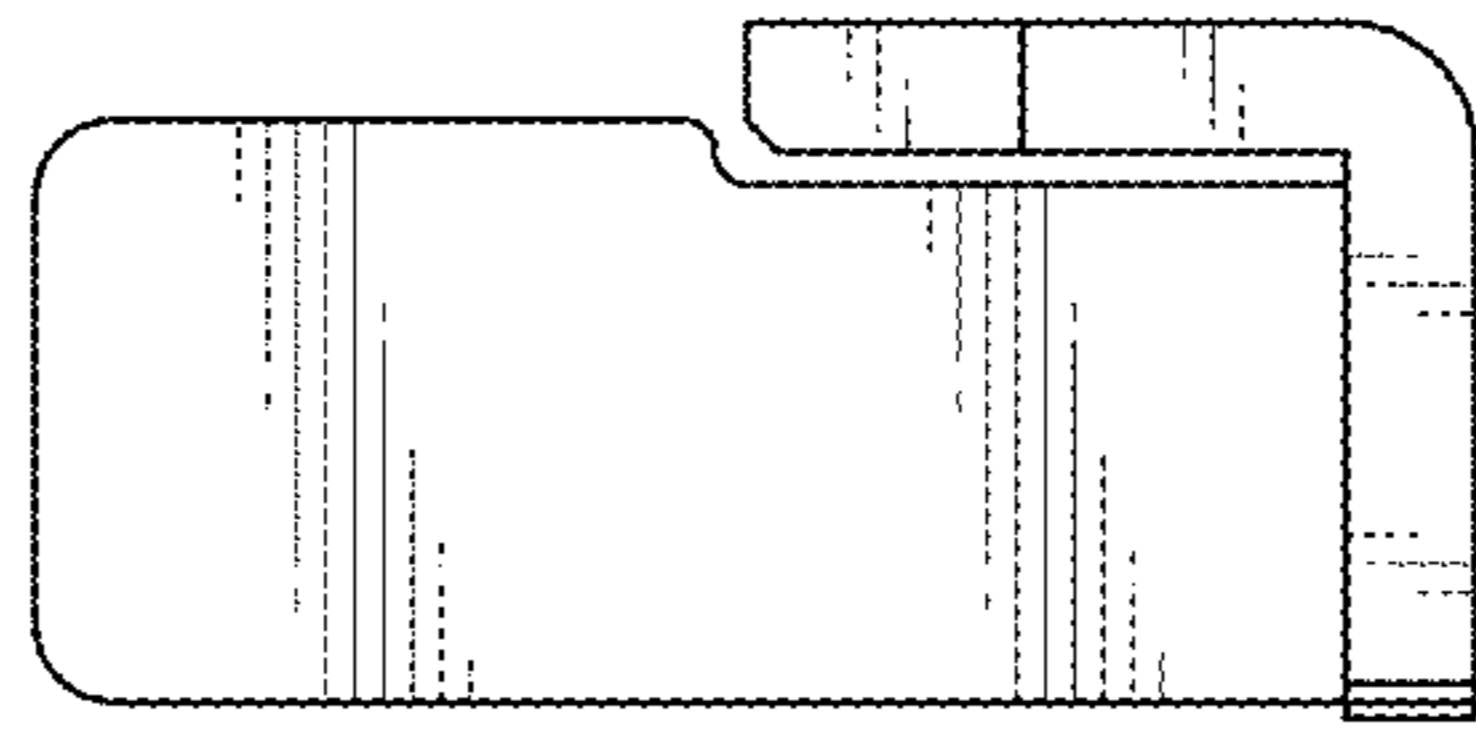


FIG.5

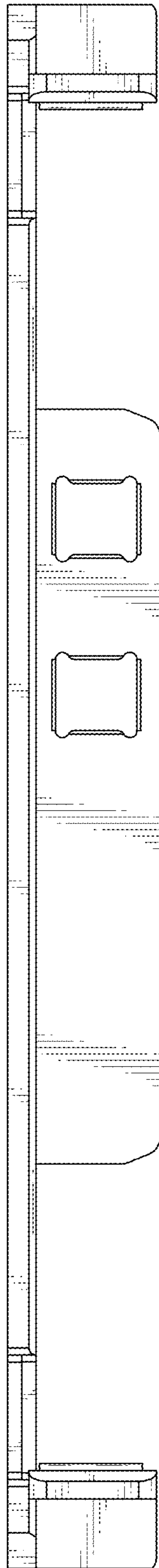


FIG.6

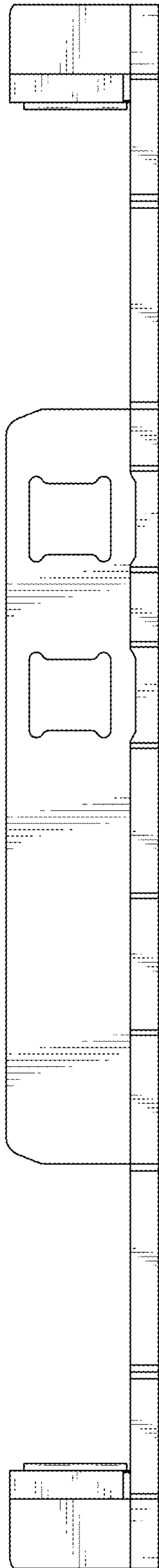


FIG.7



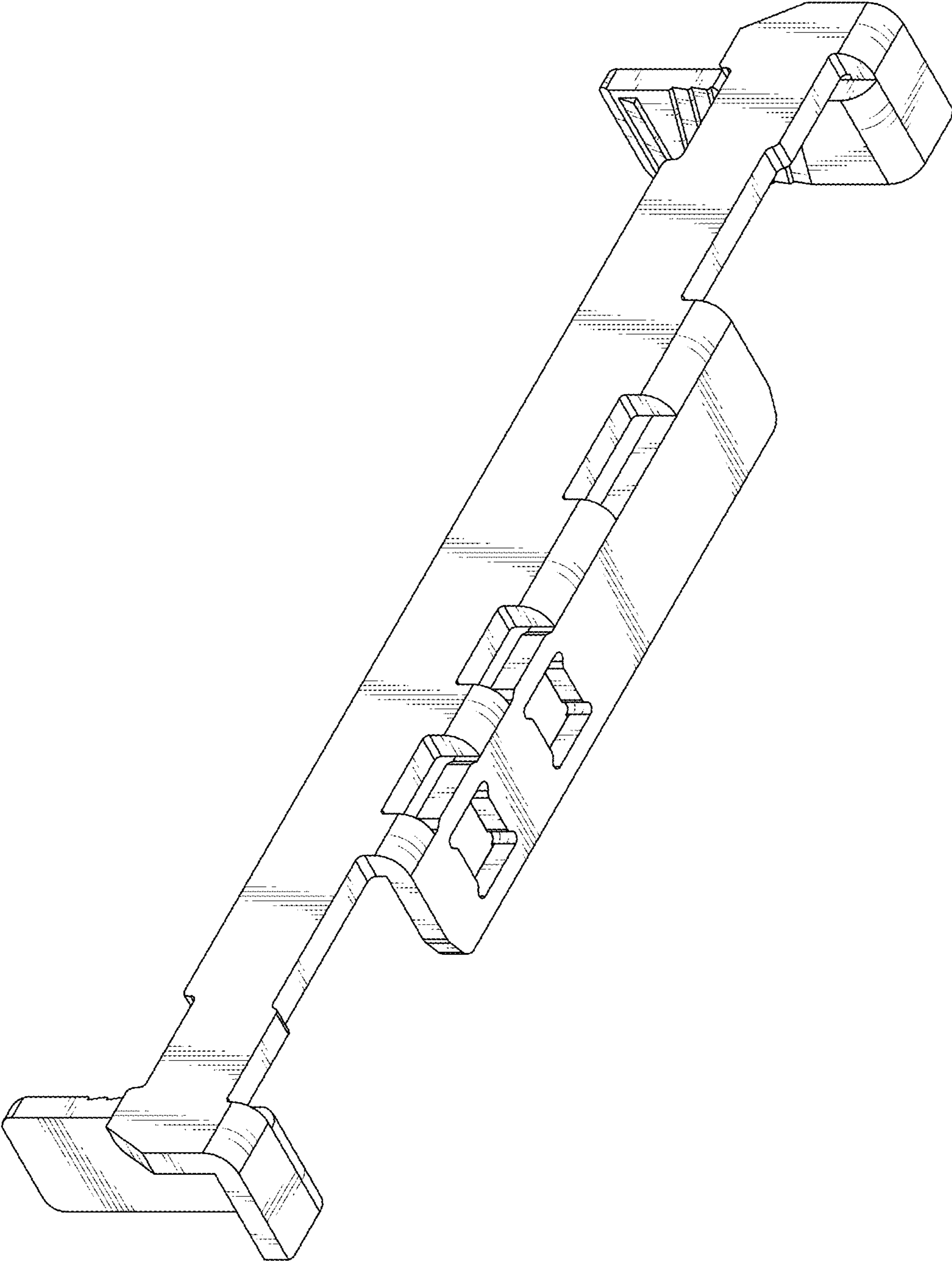


FIG.8

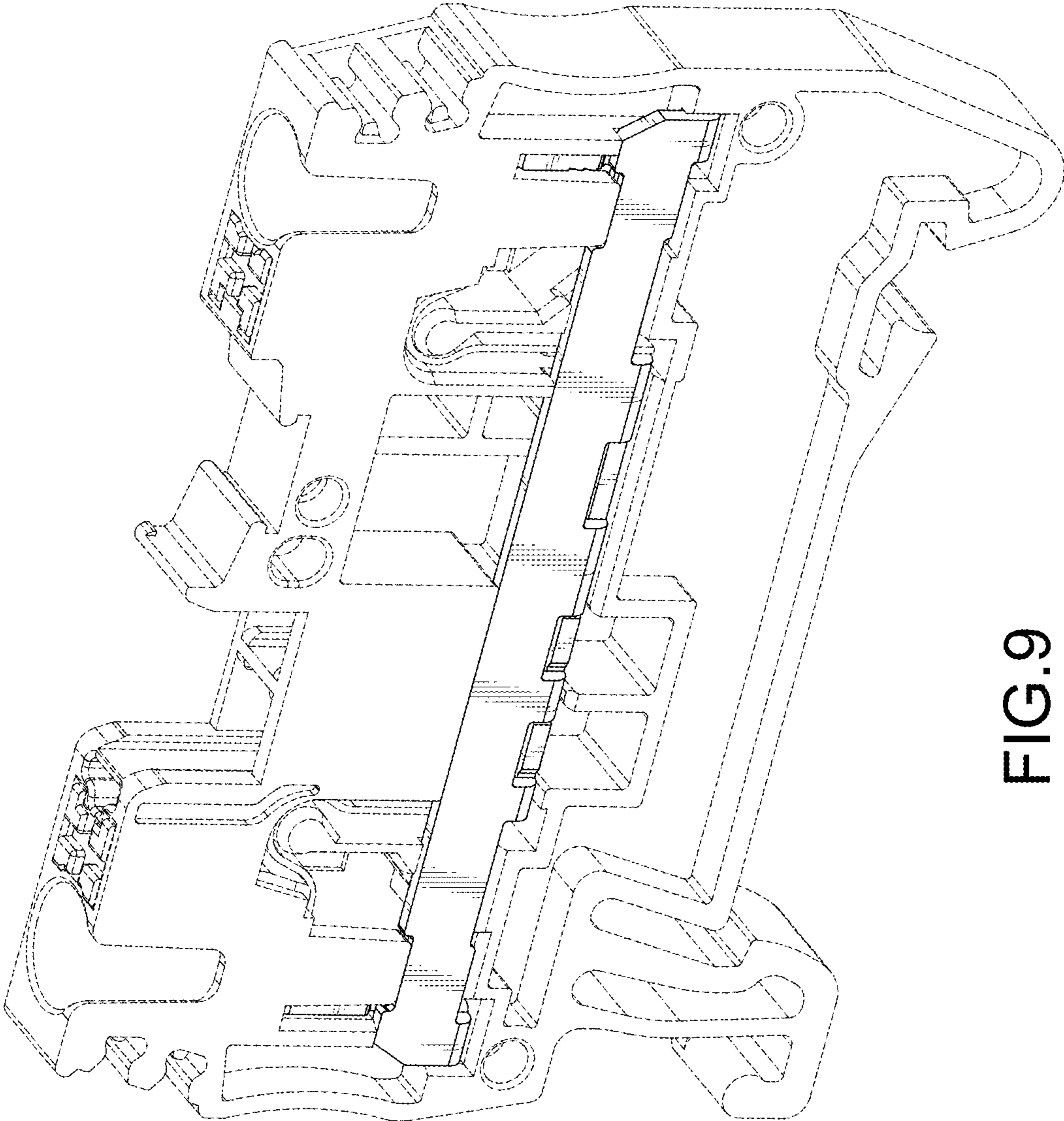


FIG.9