



US00D929345S

(12) **United States Design Patent**
Oosaka

(10) **Patent No.:** **US D929,345 S**

(45) **Date of Patent:** **** Aug. 31, 2021**

(54) **CONNECTOR**

(71) Applicant: **Japan Aviation Electronics Industry, Limited**, Tokyo (JP)

(72) Inventor: **Junji Oosaka**, Tokyo (JP)

(73) Assignee: **JAPAN AVIATION ELECTRONICS INDUSTRY, LIMITED**, Tokyo (JP)

(**) Term: **15 Years**

(21) Appl. No.: **29/731,560**

(22) Filed: **Apr. 16, 2020**

(30) **Foreign Application Priority Data**

Oct. 30, 2019 (JP) 2019-024165

(51) **LOC (13) Cl.** **13-03**

(52) **U.S. Cl.**
USPC **D13/147**

(58) **Field of Classification Search**

USPC D13/101, 110, 118, 133, 134, 146, 147,
D13/154, 184, 199; D14/149, 432, 433
CPC H01R 9/05; H01R 12/04; H01R 12/62;
H01R 12/71; H01R 12/727; H01R
12/728; H01R 12/7076; H01R 12/7082;
H01R 13/05; H01R 13/20; H01R 13/24;
H01R 13/501; H01R 13/514

See application file for complete search history.

(56) **References Cited**

U.S. PATENT DOCUMENTS

D453,734 S * 2/2002 Shimoyama D13/147
6,609,936 B2 * 8/2003 Bricaud H01R 13/635
439/108
D580,868 S * 11/2008 Chen D13/147
D589,454 S * 3/2009 Gao D13/147

D603,801 S * 11/2009 Obikane D13/147
D611,908 S * 3/2010 Takada D13/147
D640,636 S * 6/2011 Ngo D13/154
D751,507 S * 3/2016 Horchler D13/147
2006/0178022 A1 * 8/2006 Liu H01R 13/26
439/74
2006/0276060 A1 * 12/2006 Takano H01R 12/7005
439/74
2012/0289093 A1 * 11/2012 Ogura H01R 12/88
439/629

* cited by examiner

Primary Examiner — Derrick E Holland

(74) *Attorney, Agent, or Firm* — Manabu Kanesaka

(57) **CLAIM**

The ornamental design for a connector, as shown and described.

DESCRIPTION

FIG. 1 is a front elevational view of a connector showing my new design;

FIG. 2 is a rear elevational view thereof;

FIG. 3 is a right side elevational view thereof;

FIG. 4 is a left side elevational view thereof;

FIG. 5 is a top plan view thereof;

FIG. 6 is a bottom plan view thereof;

FIG. 7 is a perspective view showing a front, top and right side thereof;

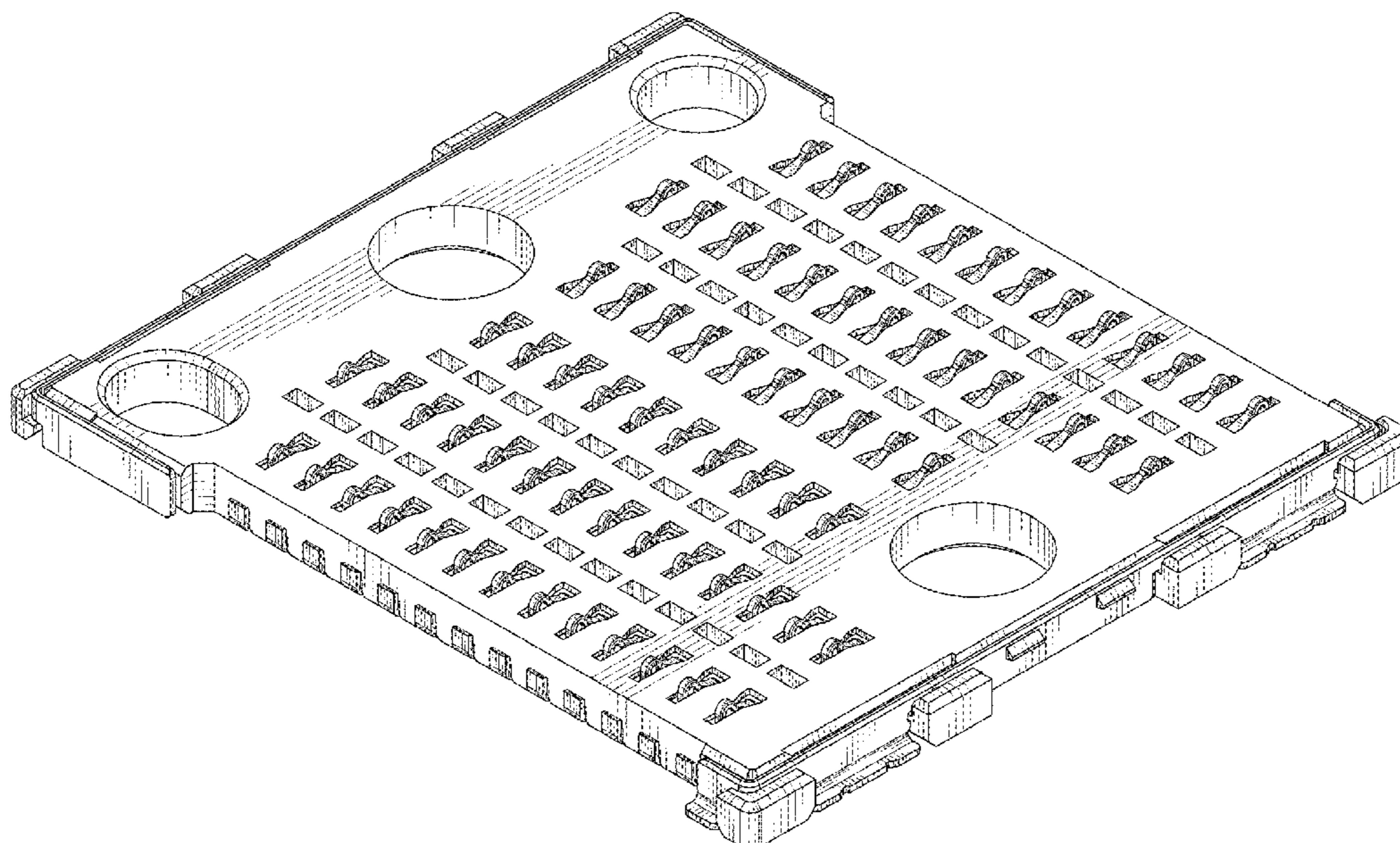
FIG. 8 is a perspective view showing a rear, bottom and left side thereof;

FIG. 9 is a perspective view showing a front, right and bottom side thereof; and,

FIG. 10 is a perspective view showing a rear, left and top side thereof.

The broken lines shown represent the portions of the connector that form no part of the claimed design.

1 Claim, 8 Drawing Sheets



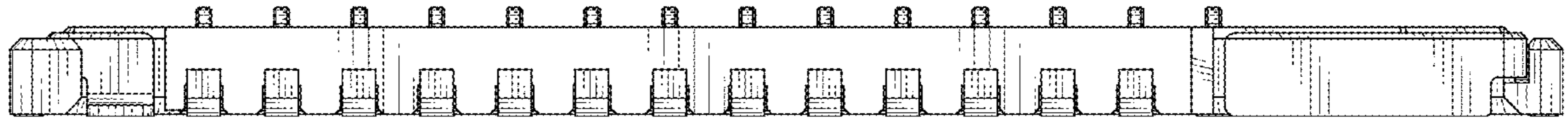


FIG. 1

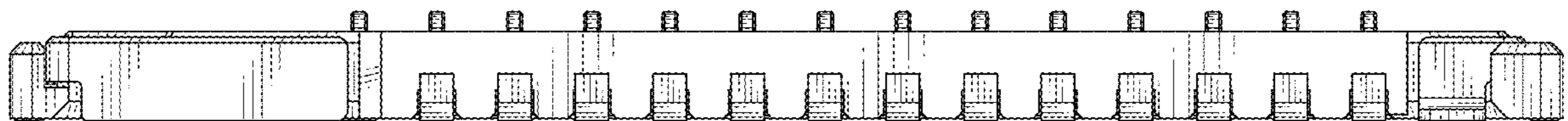


FIG. 2

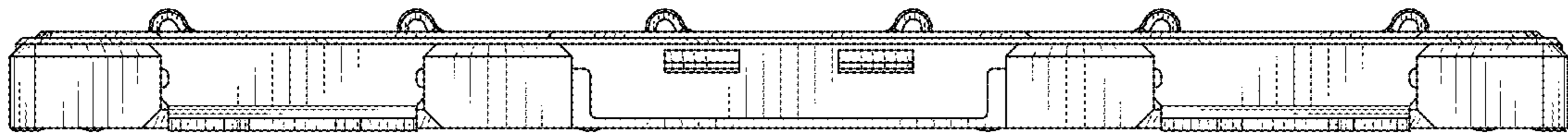


FIG. 3

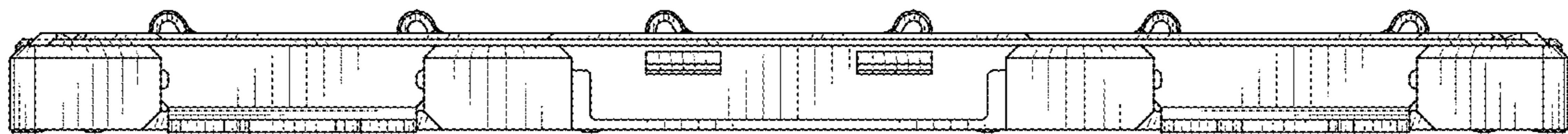


FIG. 4

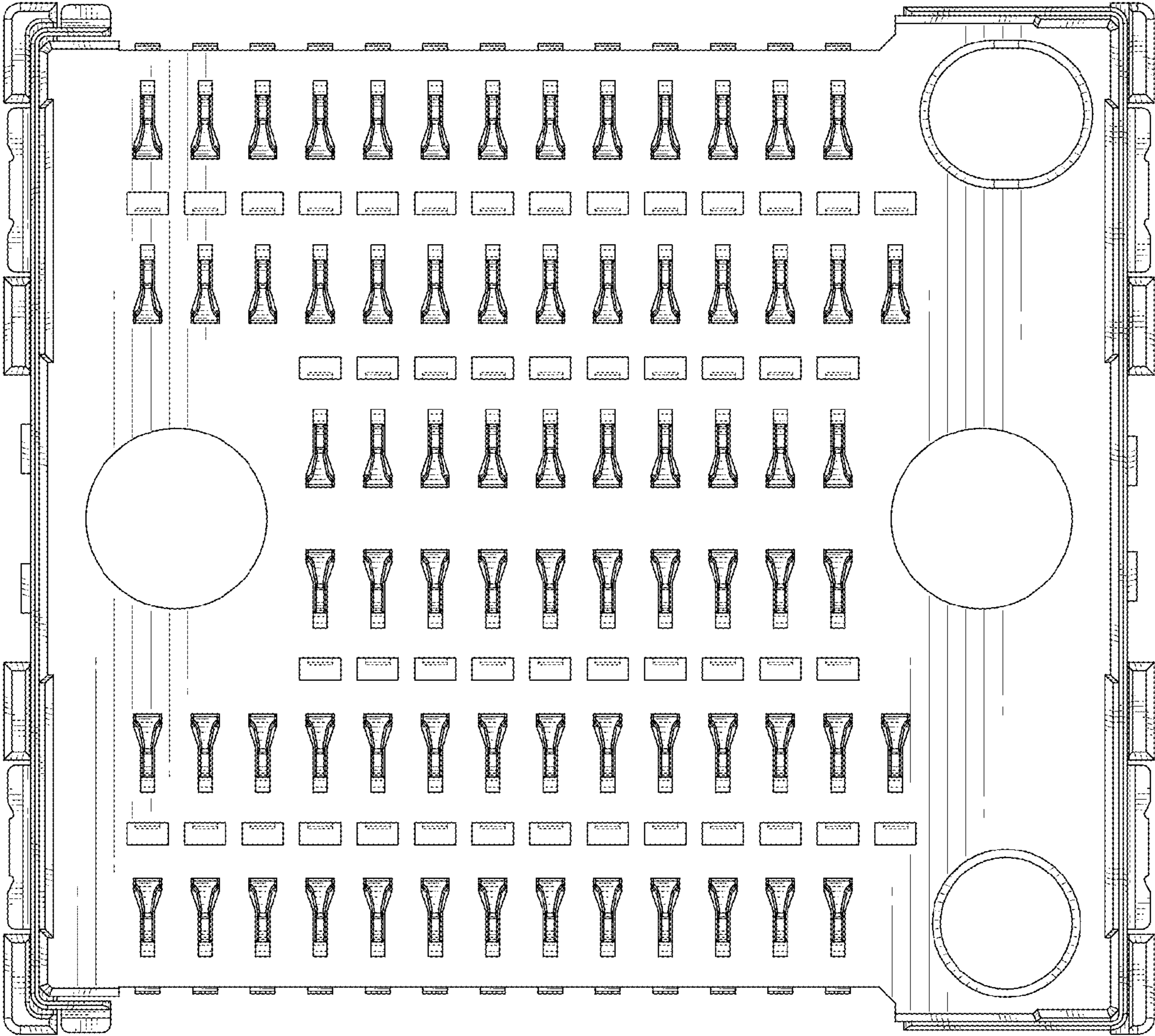


FIG. 5

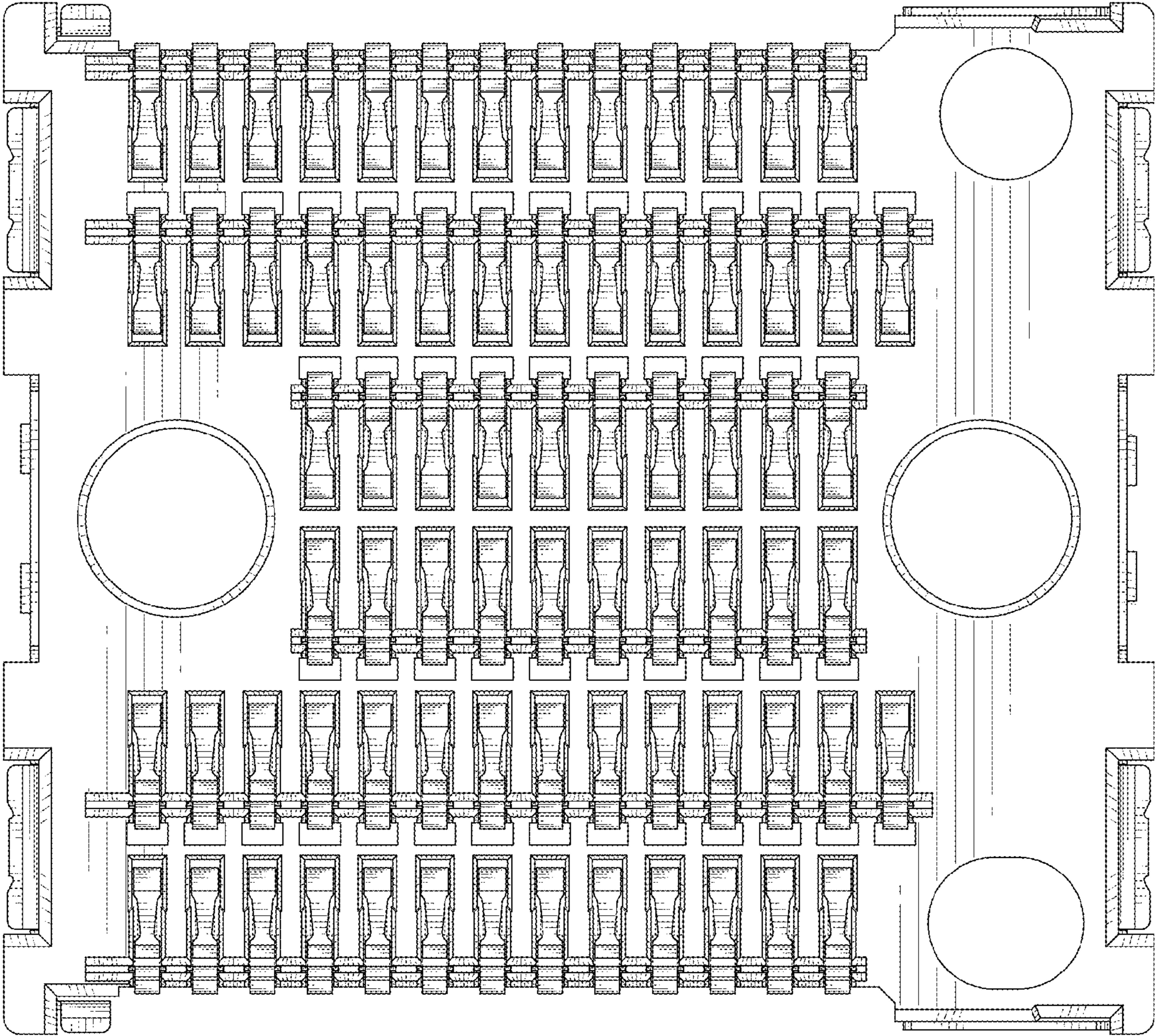


FIG. 6

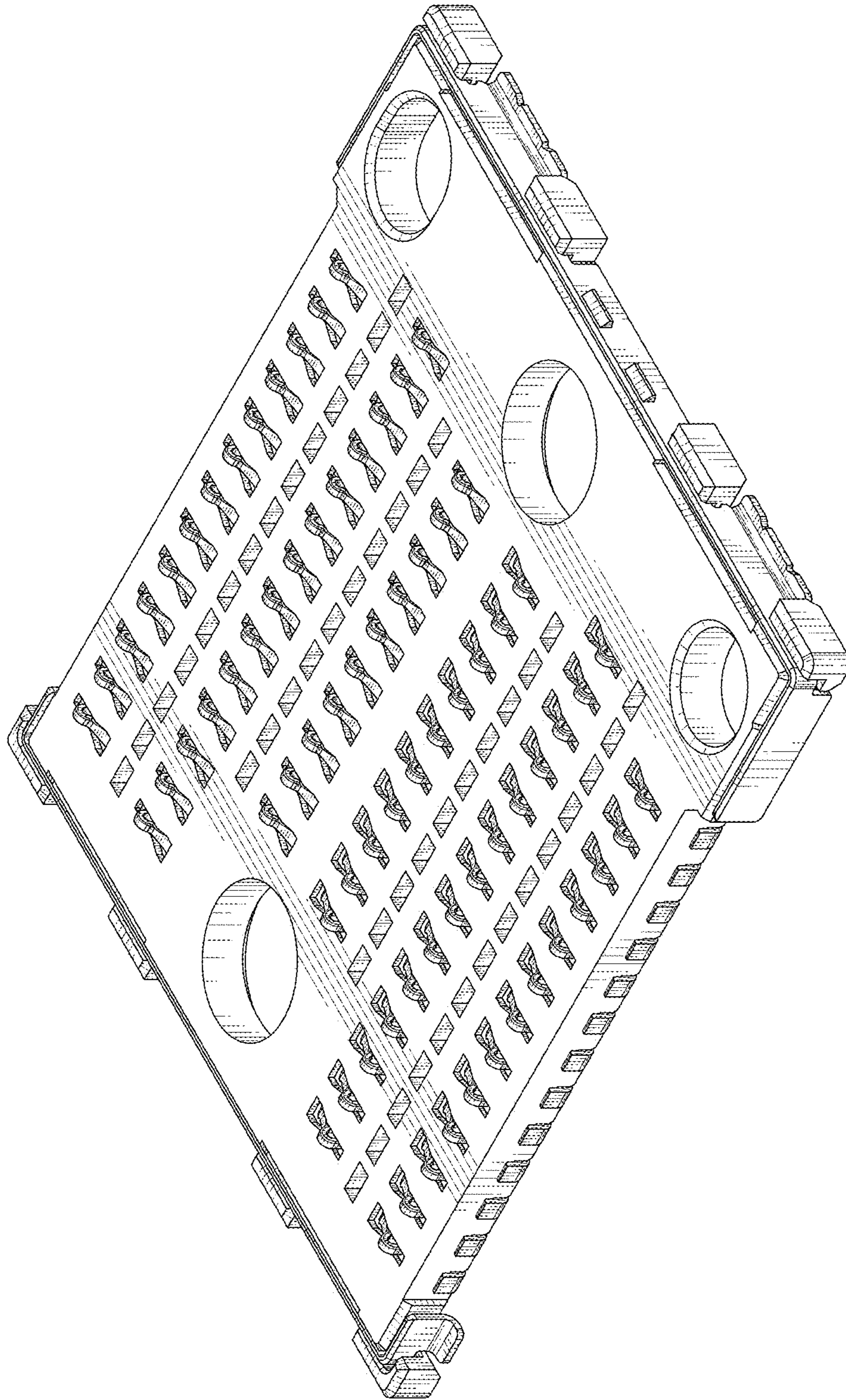


FIG. 7

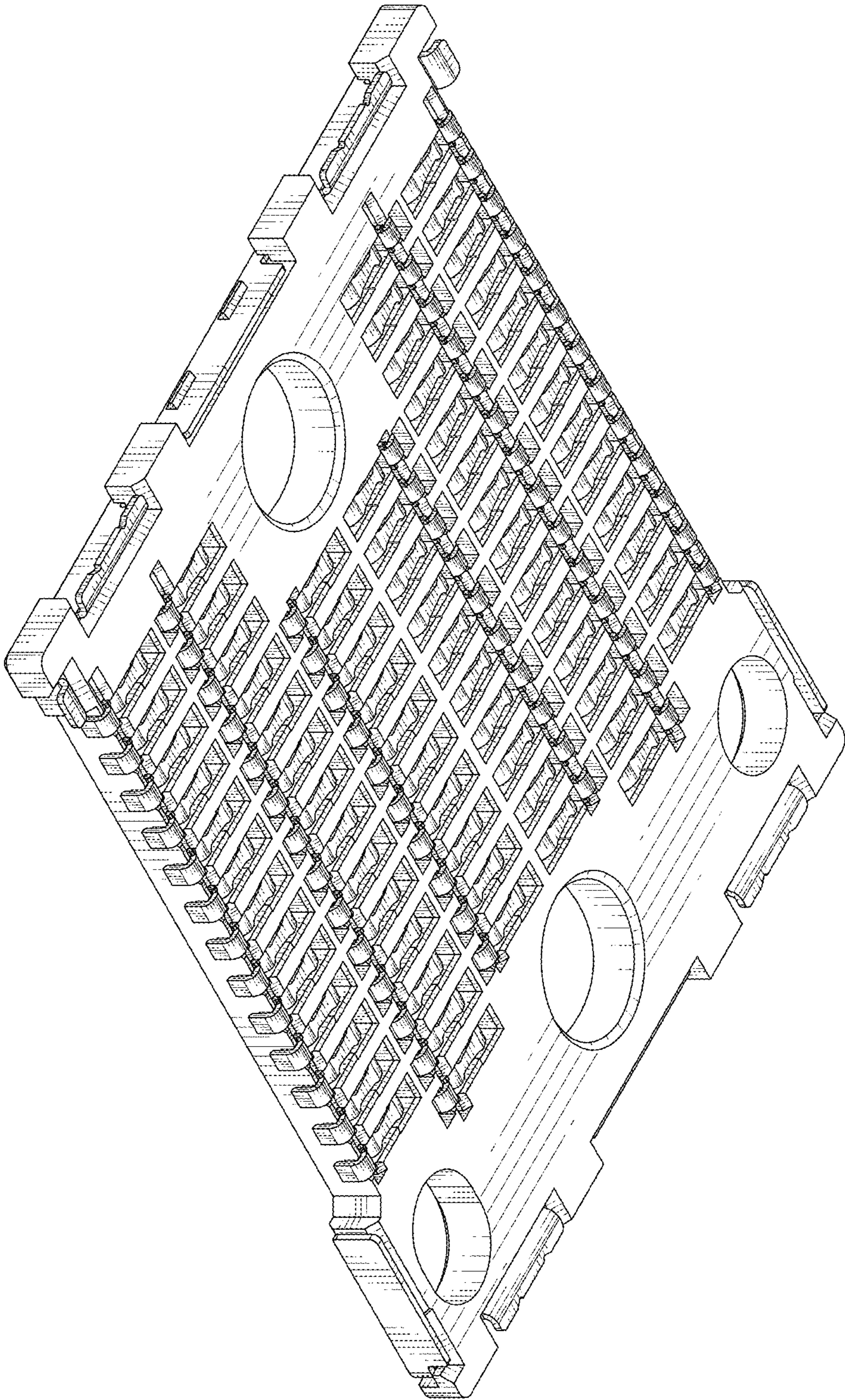


FIG. 8

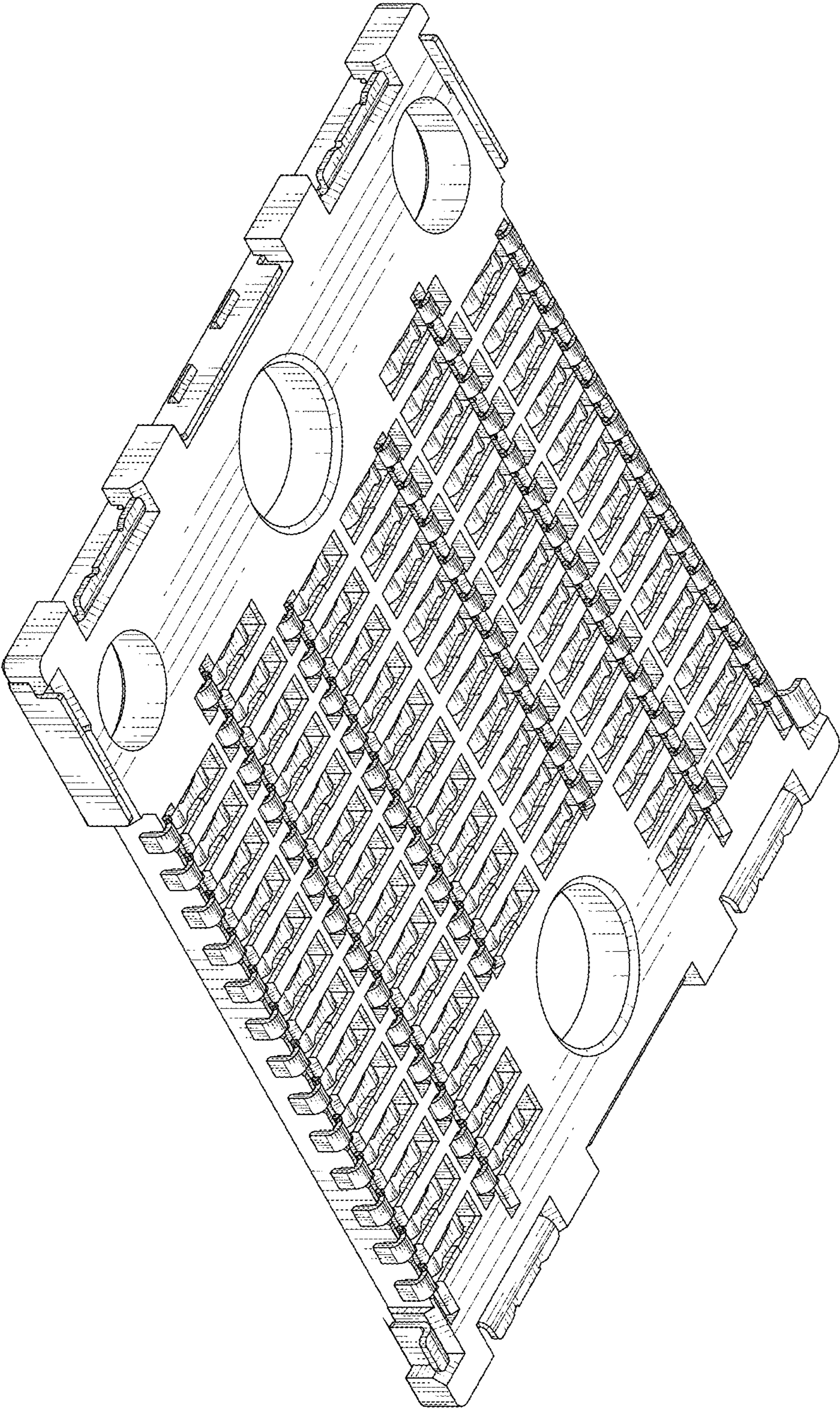


FIG. 9

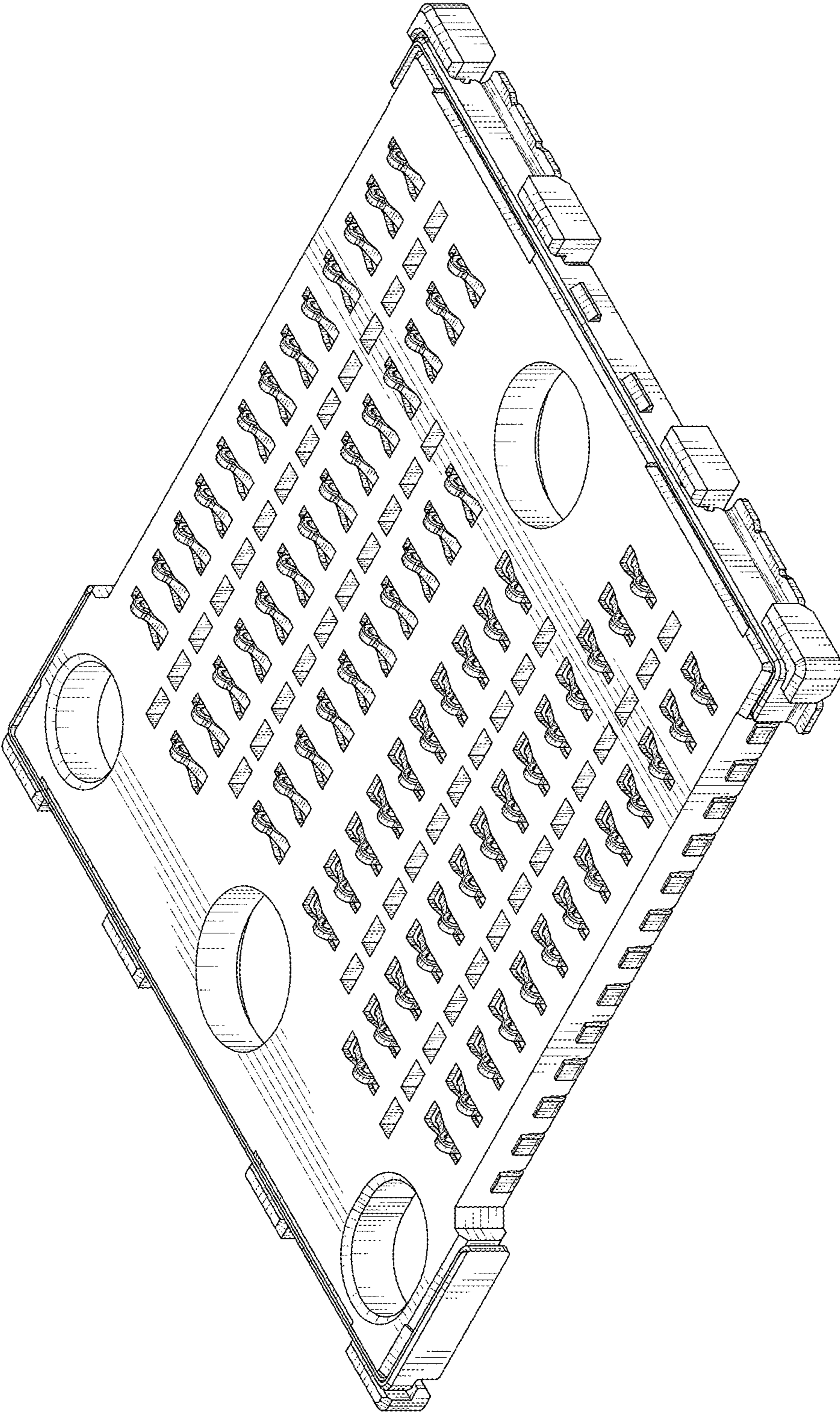


FIG. 10