



US00D929344S

(12) **United States Design Patent**  
**Oosaka**

(10) **Patent No.:** **US D929,344 S**

(45) **Date of Patent:** **\*\* Aug. 31, 2021**

(54) **CONNECTOR**

(71) Applicant: **Japan Aviation Electronics Industry, Limited**, Tokyo (JP)

(72) Inventor: **Junji Oosaka**, Tokyo (JP)

(73) Assignee: **JAPAN AVIATION ELECTRONICS INDUSTRY, LIMITED**, Tokyo (JP)

(\*\*) Term: **15 Years**

(21) Appl. No.: **29/731,554**

(22) Filed: **Apr. 16, 2020**

(30) **Foreign Application Priority Data**

Oct. 30, 2019 (JP) ..... 2019-024166

(51) **LOC (13) Cl.** ..... **13-03**

(52) **U.S. Cl.**  
USPC ..... **D13/147**

(58) **Field of Classification Search**

USPC ..... D13/101, 110, 118, 133, 134, 146, 147, D13/154, 184, 199; D14/149, 432, 433

CPC ..... H01R 9/05; H01R 12/04; H01R 12/62; H01R 12/71; H01R 12/727; H01R 12/728; H01R 12/7076; H01R 12/7082; H01R 13/05; H01R 13/20; H01R 13/24; H01R 13/501; H01R 13/514

See application file for complete search history.

(56) **References Cited**

**U.S. PATENT DOCUMENTS**

- D453,734 S \* 2/2002 Shimoyama ..... D13/147
- 6,609,936 B2 \* 8/2003 Bricaud ..... H01R 13/635  
439/108
- D580,868 S \* 11/2008 Chen ..... D13/147
- D589,454 S \* 3/2009 Gao ..... D13/147

- D603,801 S \* 11/2009 Obikane ..... D13/147
- D611,908 S \* 3/2010 Takada ..... D13/147
- D640,636 S \* 6/2011 Ngo ..... D13/154
- D751,507 S \* 3/2016 Horchler ..... D13/147
- 2006/0178022 A1 \* 8/2006 Liu ..... H01R 13/26  
439/74
- 2006/0276060 A1 \* 12/2006 Takano ..... H01R 12/7005  
439/74
- 2012/0289093 A1 \* 11/2012 Ogura ..... H01R 12/88  
439/629

\* cited by examiner

*Primary Examiner* — Derrick E Holland

(74) *Attorney, Agent, or Firm* — Manabu Kanesaka

(57) **CLAIM**

The ornamental design for a connector, as shown and described.

**DESCRIPTION**

FIG. 1 is a front elevational view of a connector showing my new design;

FIG. 2 is a rear elevational view thereof;

FIG. 3 is a right side elevational view thereof;

FIG. 4 is a left side elevational view thereof;

FIG. 5 is a top plan view thereof;

FIG. 6 is a bottom plan view thereof;

FIG. 7 is a perspective view showing a front, top and right side thereof;

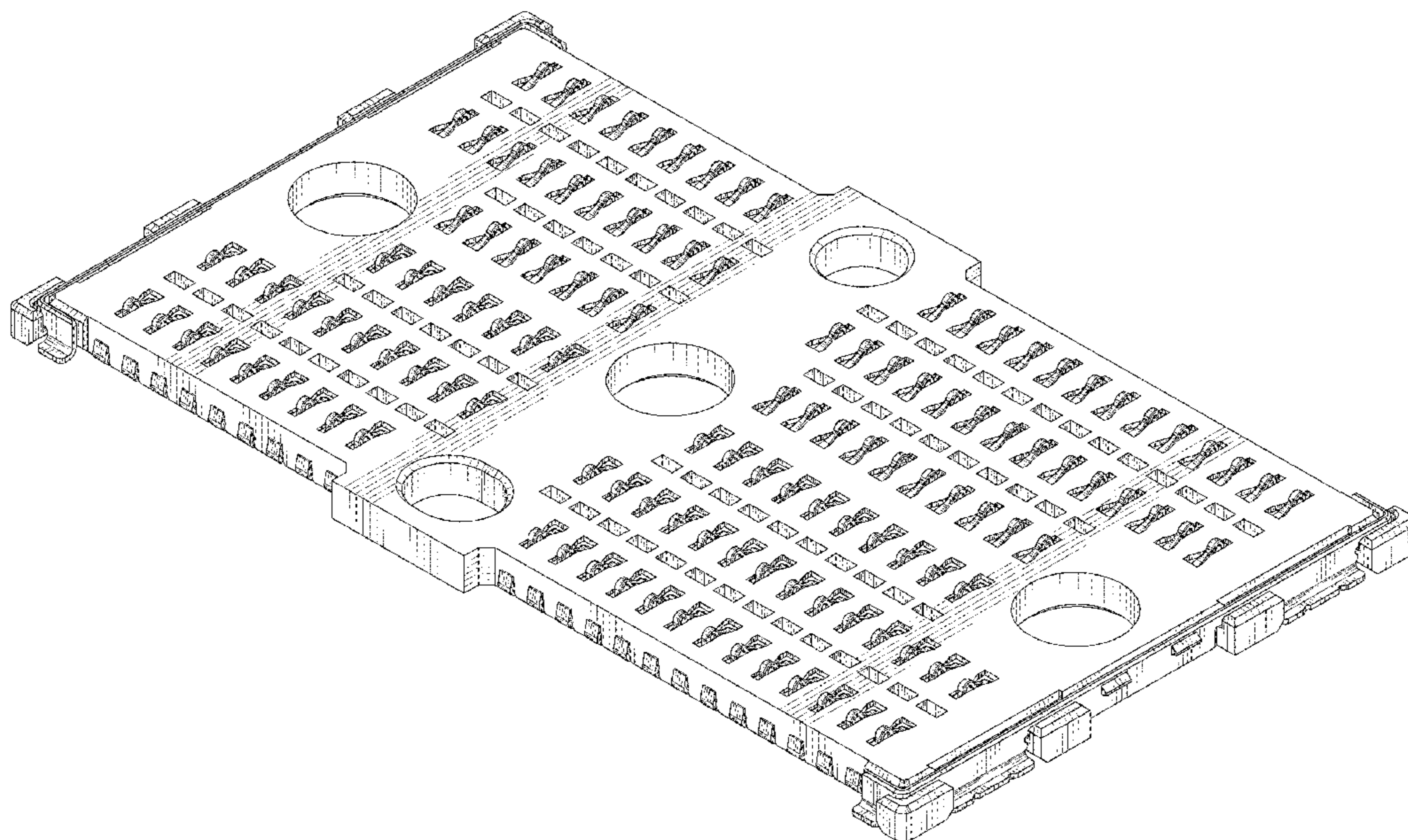
FIG. 8 is a perspective view showing a rear, bottom and left side thereof;

FIG. 9 is a perspective view showing a front, right and bottom side thereof; and,

FIG. 10 is a perspective view showing a rear, left and top side thereof.

The broken lines shown represent the portions of the connector that form no part of the claimed design.

**1 Claim, 8 Drawing Sheets**



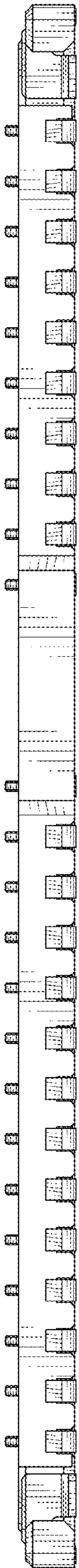


FIG. 1

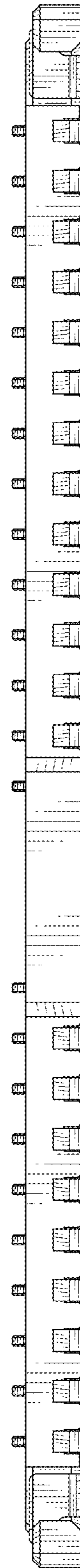


FIG. 2

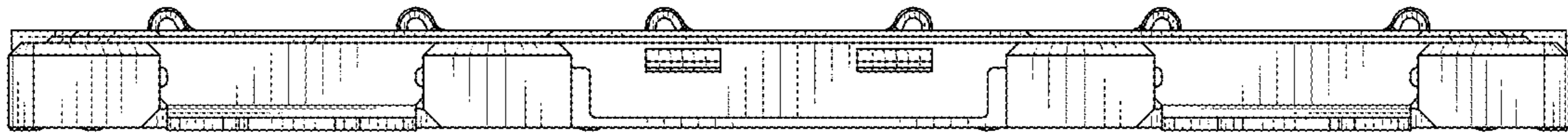


FIG. 3

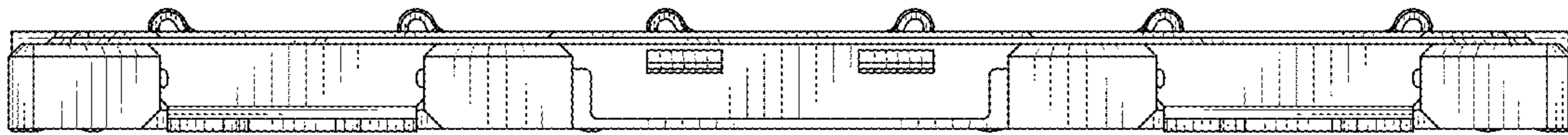


FIG. 4



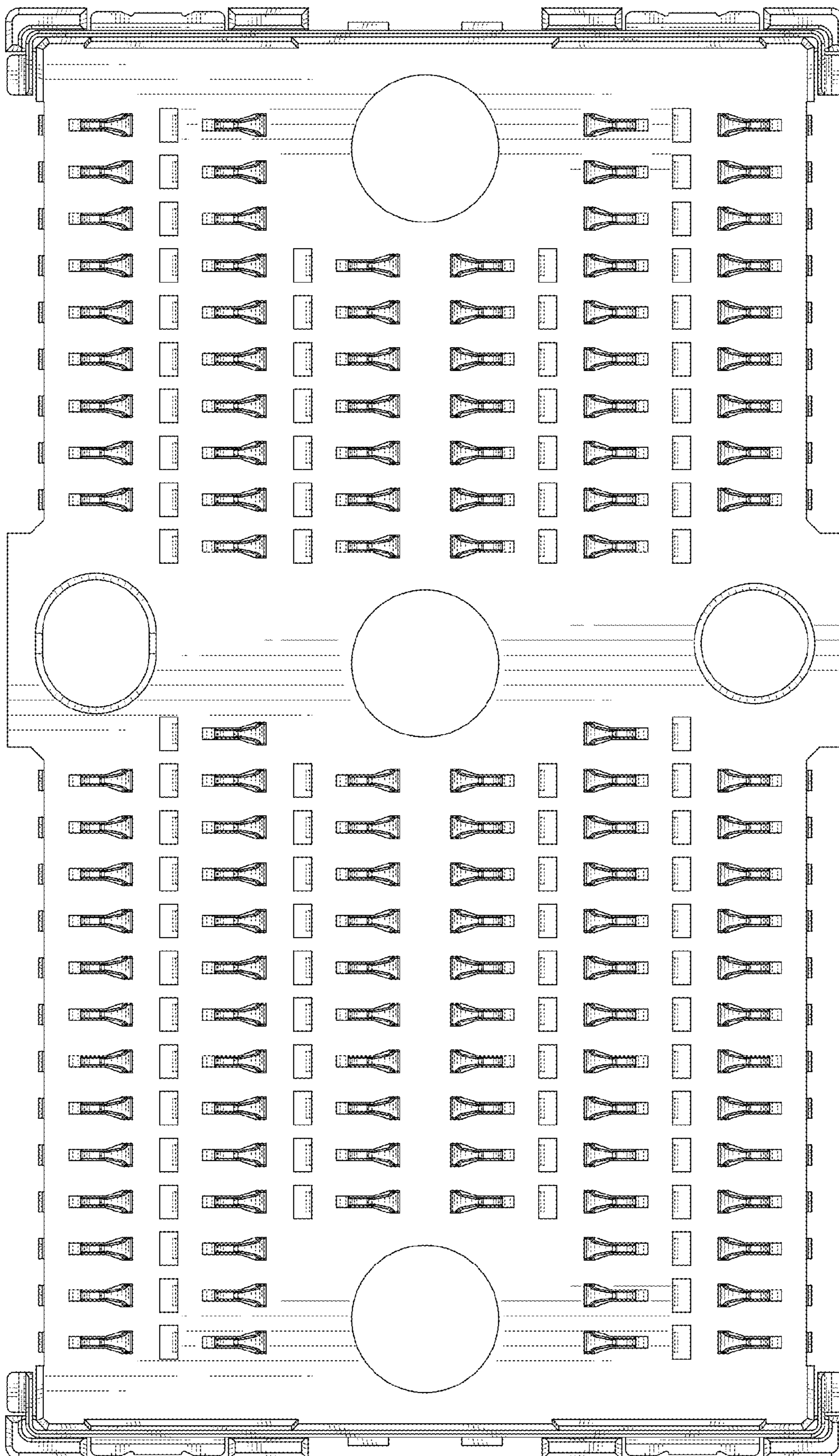


FIG. 5



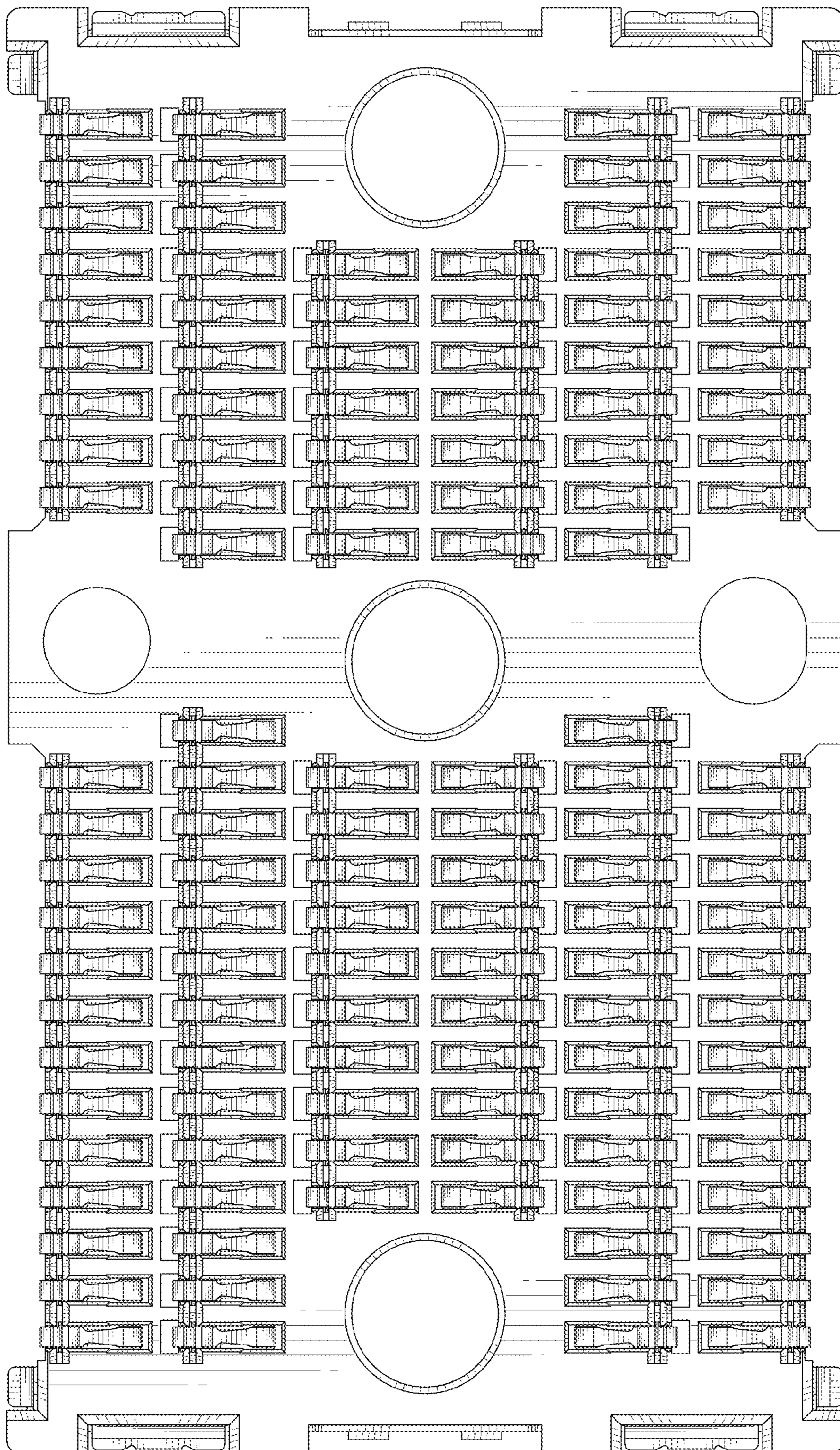


FIG. 6



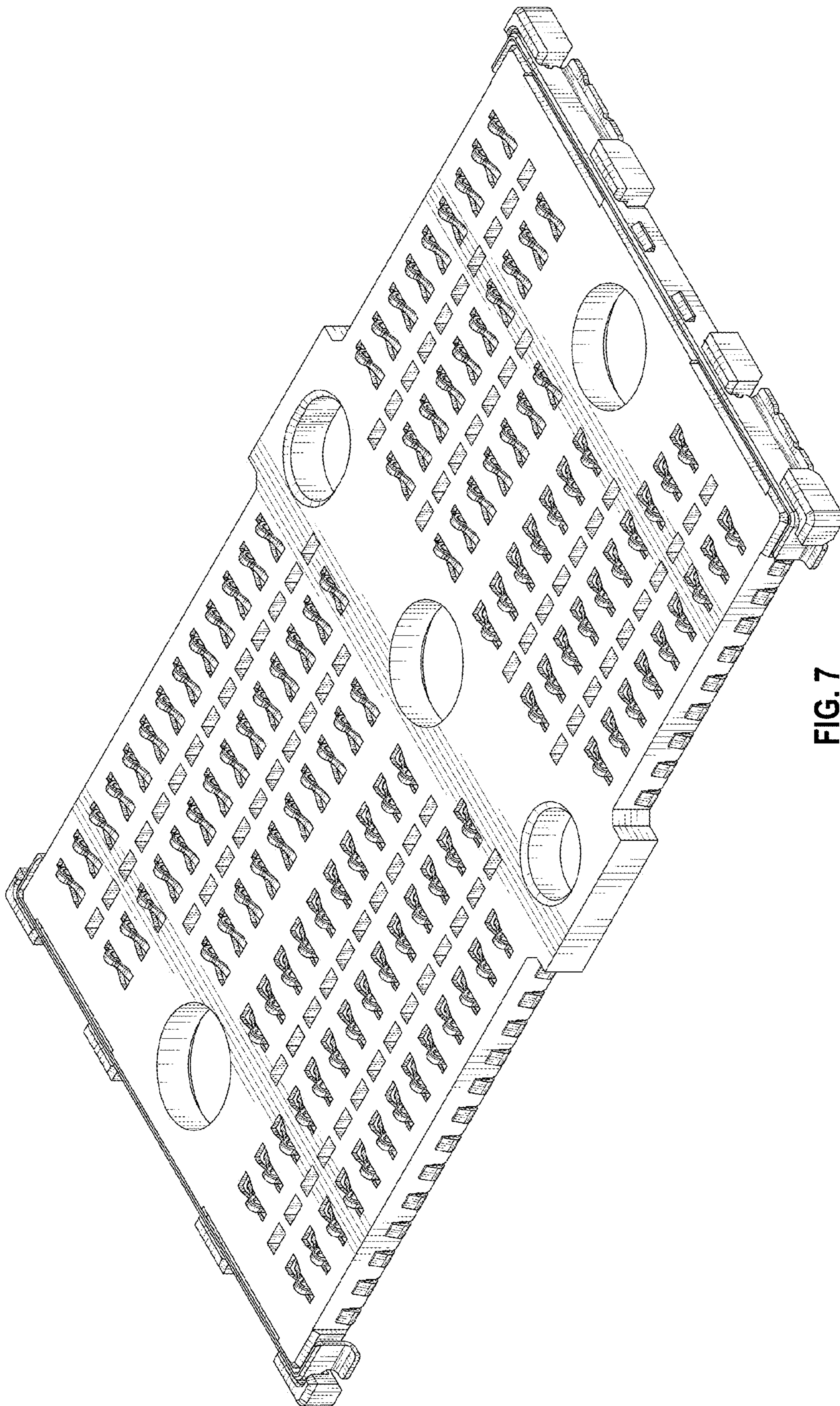


FIG. 7



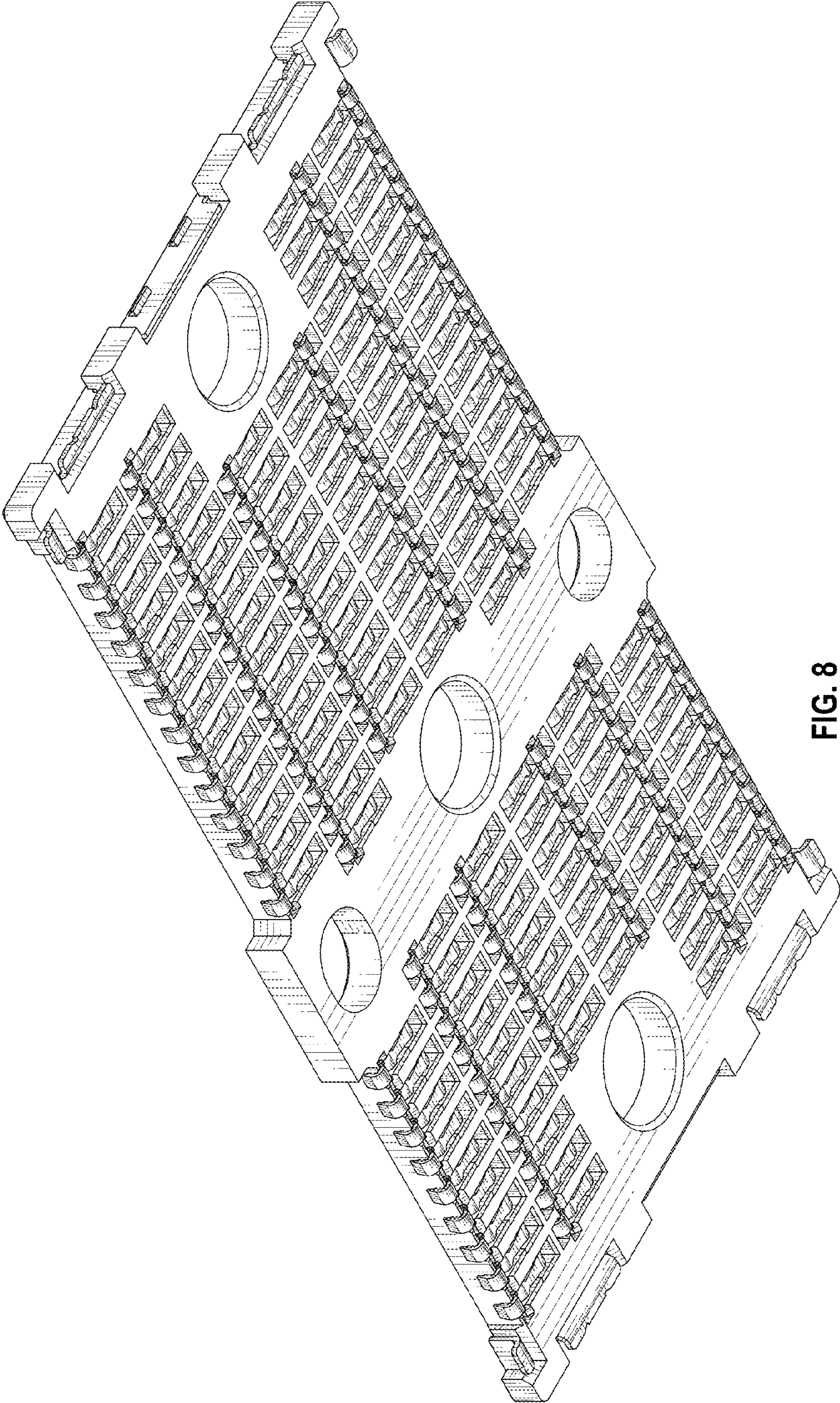


FIG. 8



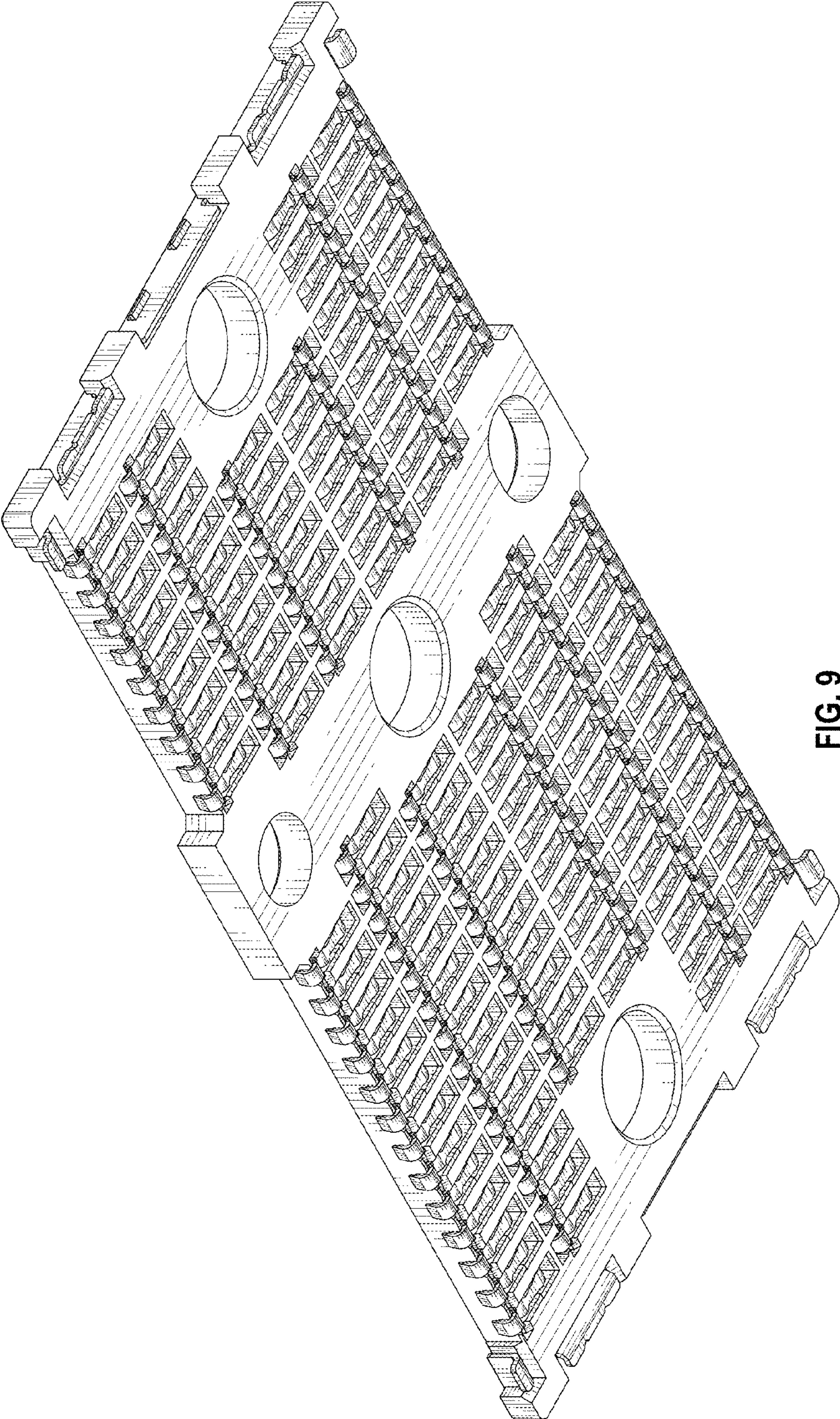


FIG. 9



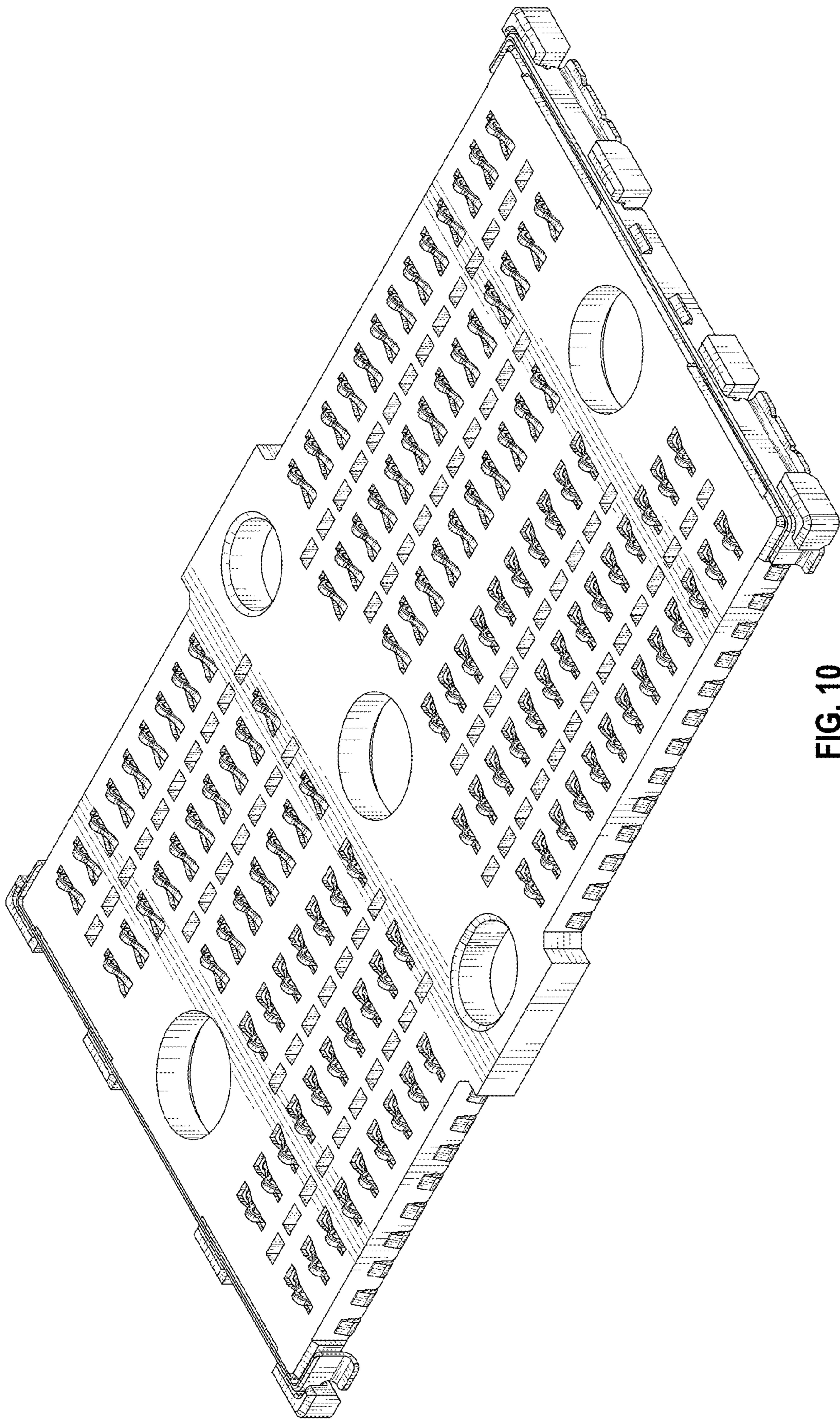


FIG. 10