



US00D929343S

(12) **United States Design Patent**  
**Rao et al.**

(10) **Patent No.:** **US D929,343 S**

(45) **Date of Patent:** **\*\* Aug. 31, 2021**

(54) **TERMINAL BLOCK**

(71) Applicant: **Jiangmen Krealux Electric Appliances Co., Ltd.**, Guangdong (CN)

(72) Inventors: **Xiaopo Rao**, Guangdong (CN); **Boqing Yin**, Guangdong (CN)

(\*\*) Term: **15 Years**

(21) Appl. No.: **29/712,258**

(22) Filed: **Nov. 6, 2019**

(30) **Foreign Application Priority Data**

Jun. 27, 2019 (CN) ..... 201930337150.5

(51) **LOC (13) Cl.** ..... **13-03**

(52) **U.S. Cl.**  
USPC ..... **D13/147**

(58) **Field of Classification Search**  
USPC ..... D13/123, 133, 146, 147, 152, 154, 156,  
D13/158, 160, 162, 162.1, 173, 177, 184,  
(Continued)

(56) **References Cited**

**U.S. PATENT DOCUMENTS**

8,480,424 B2 \* 7/2013 Koellmann ..... H01R 4/4845  
439/358  
D754,070 S \* 4/2016 Wu ..... D13/133  
(Continued)

**OTHER PUBLICATIONS**

Lever Wire Connectors. Date: Apr. 16, 2019. [online], [Site visited Feb. 22, 2021], Available from Internet URL: <https://www.amazon.com/dp/B07QPXYG8H/> (Year: 2019).\*

(Continued)

*Primary Examiner* — Susan Bennett Hattan  
*Assistant Examiner* — Landon Thomas Cassell

(74) *Attorney, Agent, or Firm* — Prakash Nama; Global IP Services, PLLC

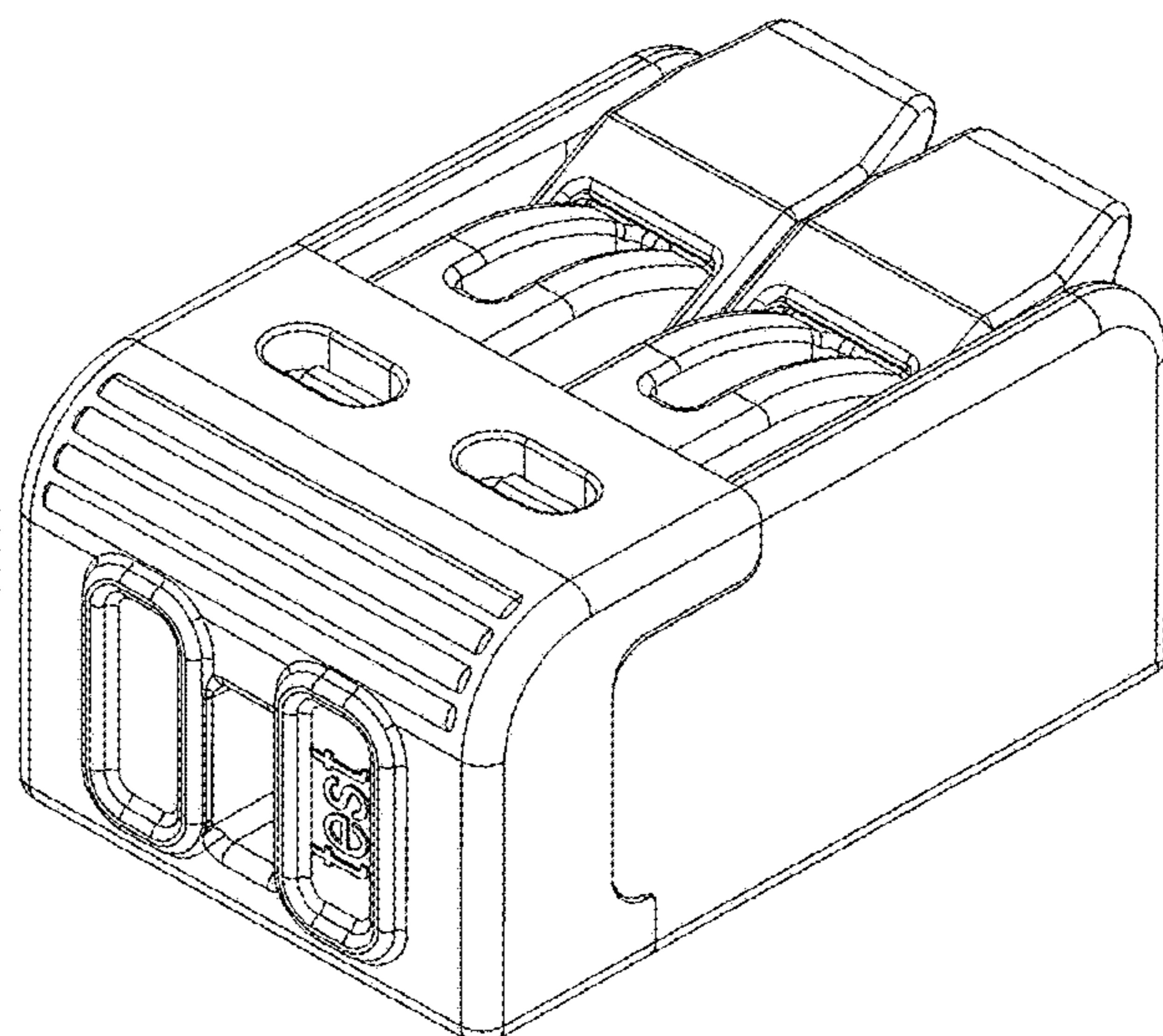
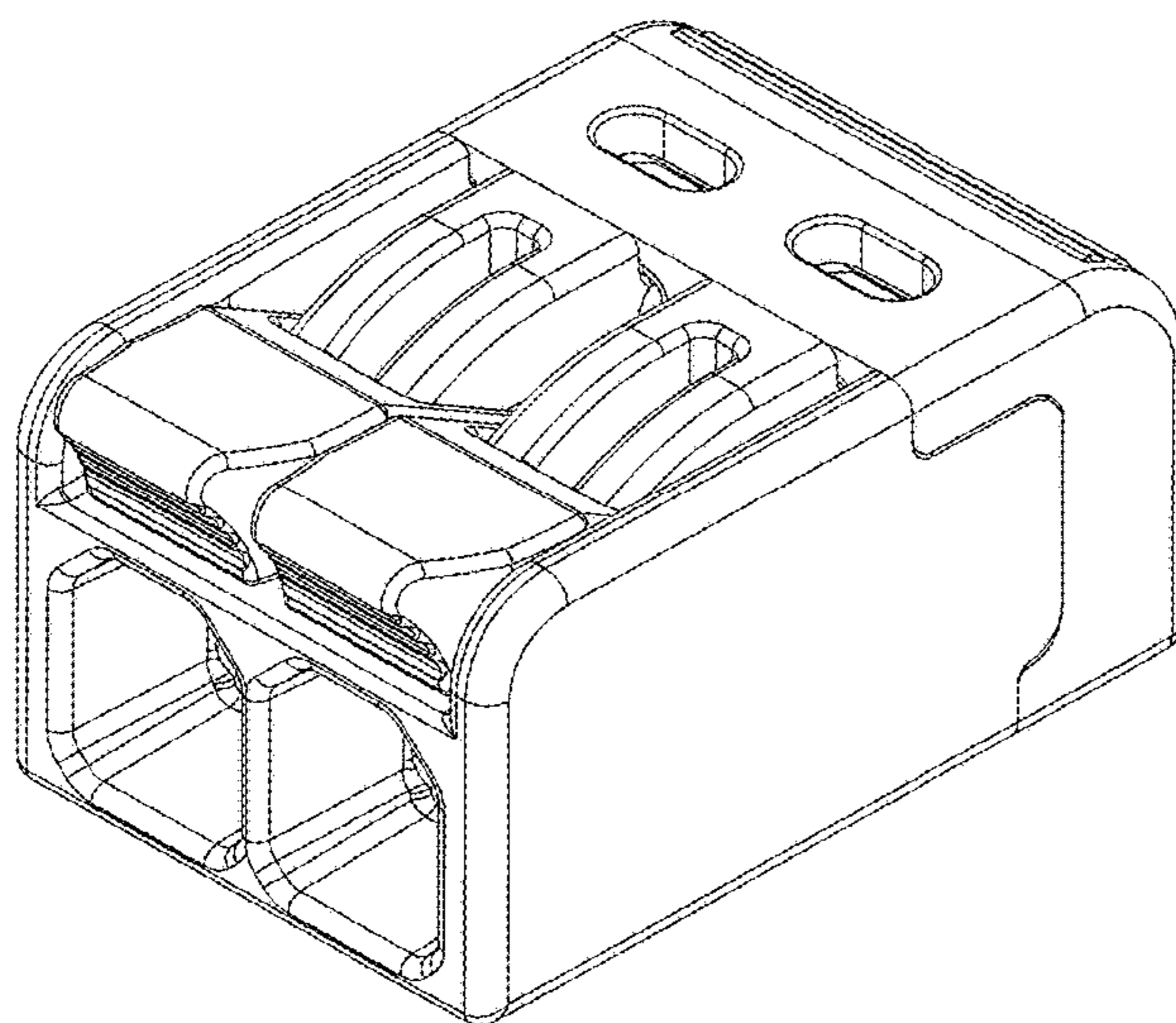
(57) **CLAIM**

The ornamental design for a terminal block, as shown and described.

**DESCRIPTION**

FIG. 1 is an enlarged front elevational view of a terminal block showing the first embodiment of our new design; FIG. 2 is an enlarged rear elevational view thereof; FIG. 3 is a left side view thereof; FIG. 4 is a right side view thereof; FIG. 5 is a top plan view thereof; FIG. 6 is a bottom plan view thereof; FIG. 7 is a perspective view thereof; FIG. 8 is another perspective view thereof; FIG. 9 is a front elevational view of a terminal block showing the second embodiment of our new design; FIG. 10 is a rear elevational view thereof; FIG. 11 is a left side view thereof; FIG. 12 is a right side view thereof; FIG. 13 is a top plan view thereof; FIG. 14 is a bottom plan view thereof; FIG. 15 is a perspective view thereof; FIG. 16 is another perspective view thereof; FIG. 17 is a front elevational view of a terminal block showing the third embodiment of our new design; FIG. 18 is a rear elevational view thereof; FIG. 19 is an enlarged left side view thereof; FIG. 20 is an enlarged right side view thereof; FIG. 21 is a top plan view thereof; FIG. 22 is a bottom plan view thereof; FIG. 23 is a perspective view thereof; and, FIG. 24 is another perspective view thereof. The broken lines in the drawings depict portions of the terminal block that form no part of the claimed design.

**1 Claim, 24 Drawing Sheets**



(58) **Field of Classification Search**

USPC ..... D13/199, 159; D14/242, 356, 433, 434,  
D14/435.1, 438, 388, 435, 496

CPC ..... H01R 9/24; H01R 9/2416; H01R 9/2633;  
H01R 12/515; H01R 4/023; H01R 4/48;  
H01R 4/22; H01R 4/28; H01R 12/58

See application file for complete search history.

2016/0134054 A1\* 5/2016 Wu ..... H01R 9/2416  
439/660  
2016/0352028 A1\* 12/2016 Meyer ..... H01R 4/4836  
2018/0076536 A1\* 3/2018 Hartmann ..... H01R 4/4845  
2018/0248276 A1\* 8/2018 Kettern ..... H01R 4/4836  
2018/0331438 A1\* 11/2018 Moser ..... H01R 4/4836

**OTHER PUBLICATIONS**

(56) **References Cited**

**U.S. PATENT DOCUMENTS**

D756,301 S \* 5/2016 Wu ..... D13/133  
D756,305 S \* 5/2016 Kollmann ..... D13/147  
9,437,940 B1 \* 9/2016 Rao ..... H01R 9/24  
D810,693 S \* 2/2018 Rao ..... D13/147  
10,498,050 B1 \* 12/2019 Liang ..... H01R 4/4836  
D902,867 S \* 11/2020 Meyer ..... D13/146  
10,892,578 B2 \* 1/2021 Witte ..... H01R 4/4836  
2011/0250803 A1\* 10/2011 Bies ..... B60N 2/36  
439/752.5  
2015/0349437 A1\* 12/2015 Kollmann ..... H01R 4/4836  
439/729  
2016/0006176 A1\* 1/2016 Kollmann ..... H01R 13/6275  
439/346

Compact Splicing Connectors. Date: Jan. 2, 2019 [online], [Site visited Feb. 19, 2021], Available from Internet URL: <https://www.amazon.com/dp/B07MHPJ1RC/> (Year: 2019).\*

Quick Connector Terminal Block For Led Lighting. Date: NA. [online], [Site visited Feb. 22, 2021], Available from Internet URL: [https://www.alibaba.com/product-detail/UL-lever-nut-push-wire-connector\\_62507661844.html?bypass=true](https://www.alibaba.com/product-detail/UL-lever-nut-push-wire-connector_62507661844.html?bypass=true) (Year: NA).\*

Wire Connectors. (Design—© Questel) orbit.com. [Online PDF compilation of references] 41 pgs. Print Dates Range Mar. 29, 2017-Dec. 15, 2020 [Retrieved Enter Feb. 23, 2021] <https://www.orbit.com/export/UCZAH96B/pdf4/d301b47f-1d18-4e3d-8461-3cd062ba2cfe-152402.pdf> (Year: 2021).\*

\* cited by examiner

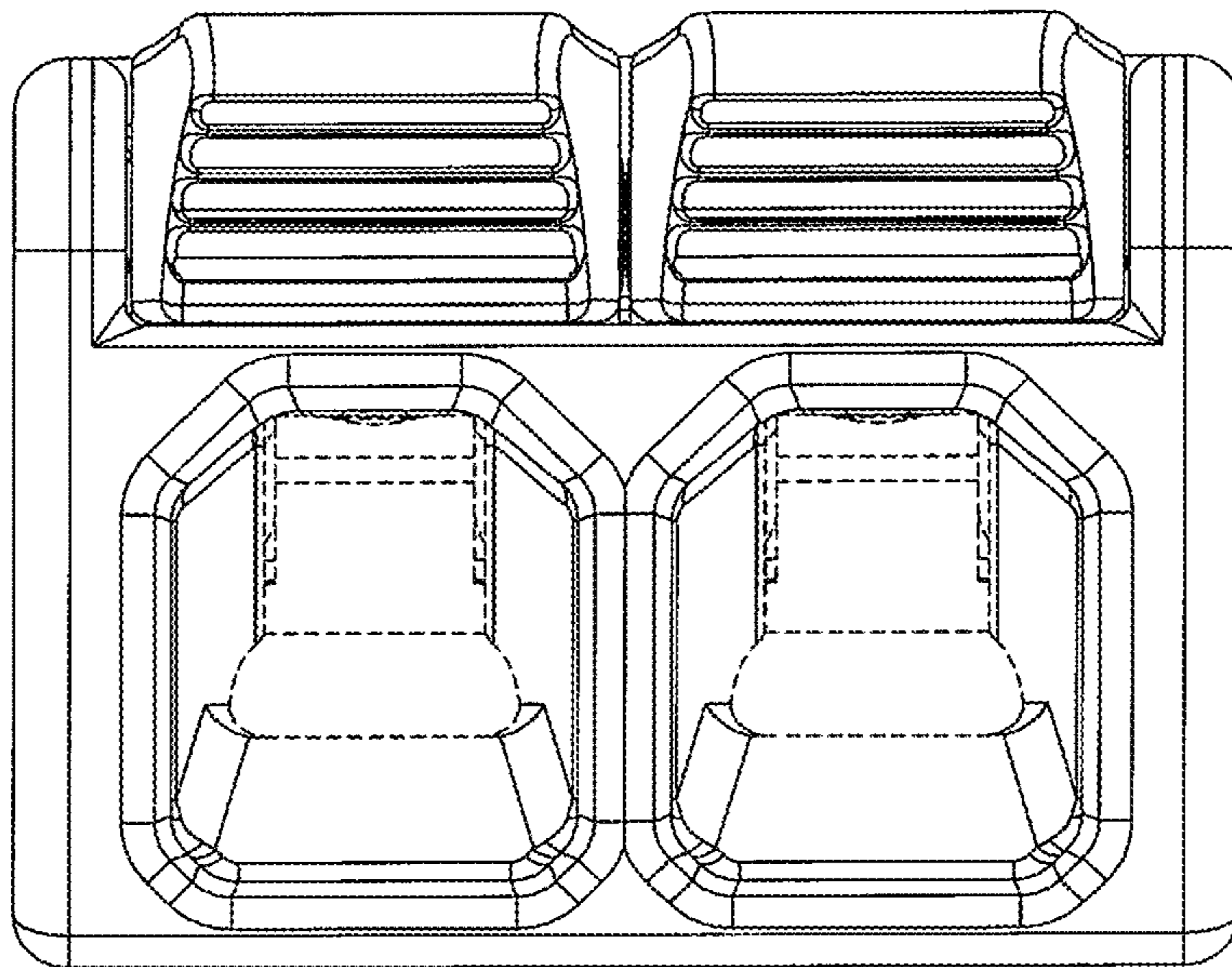


FIG. 1

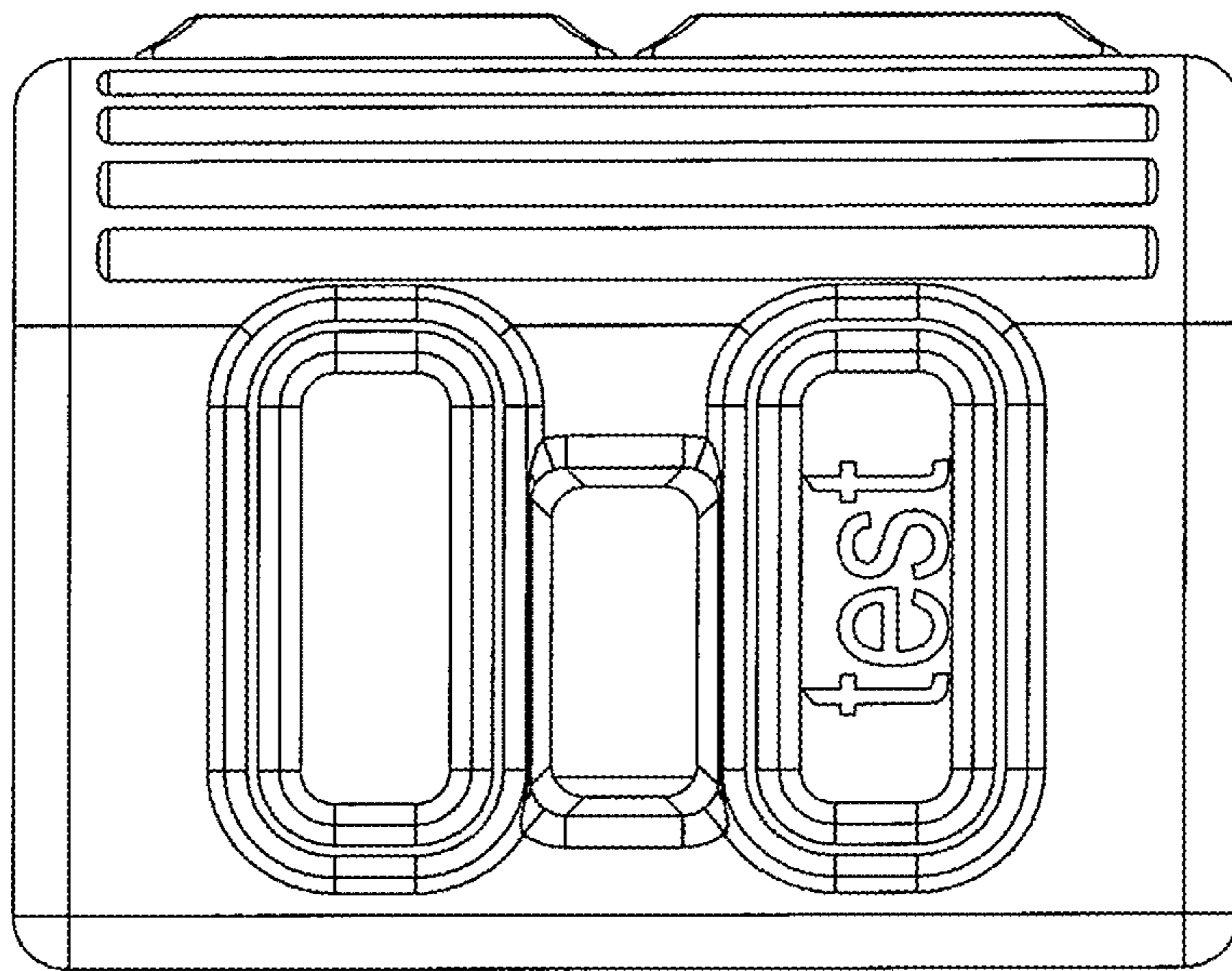


FIG. 2

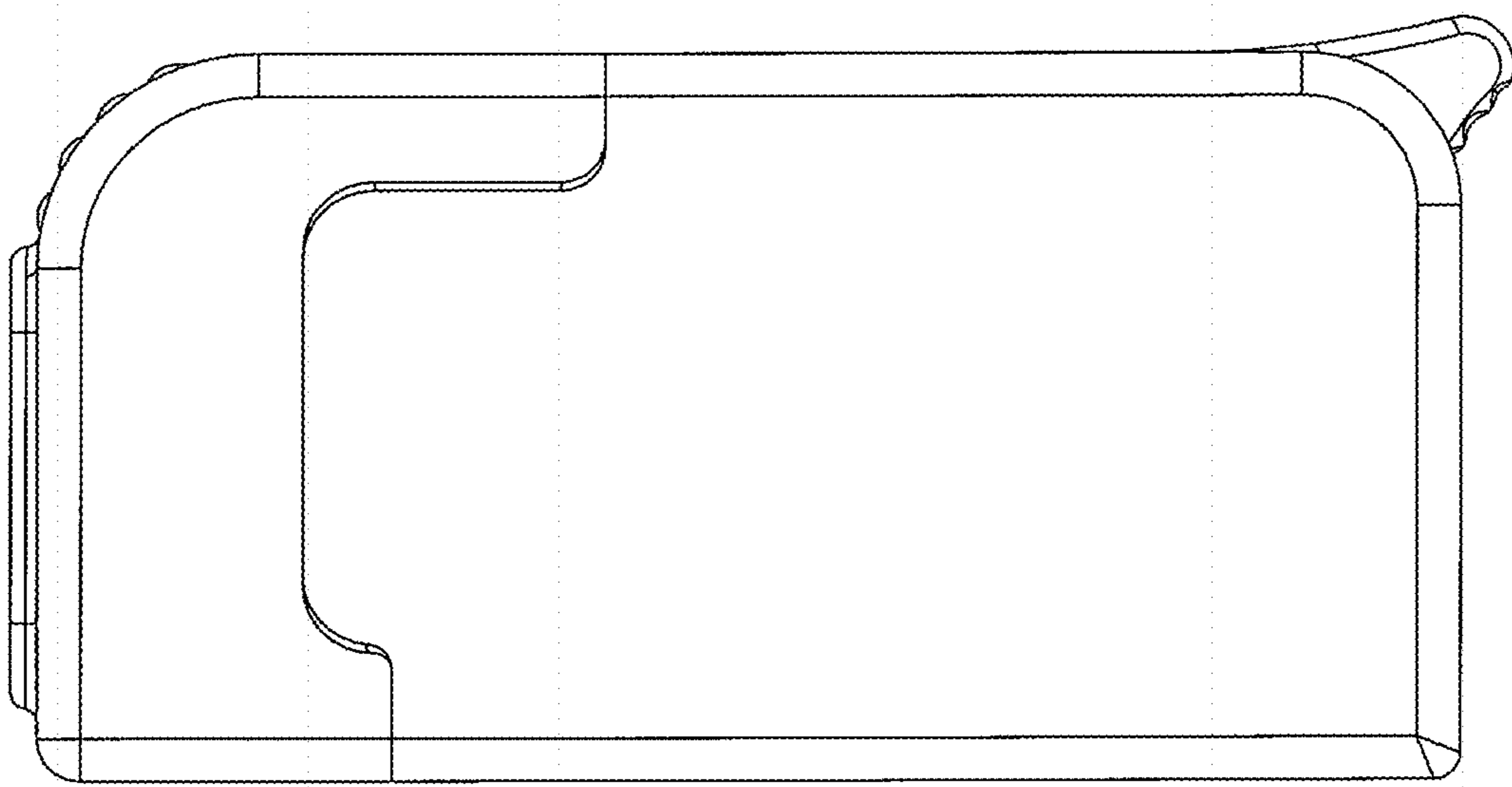


FIG. 3

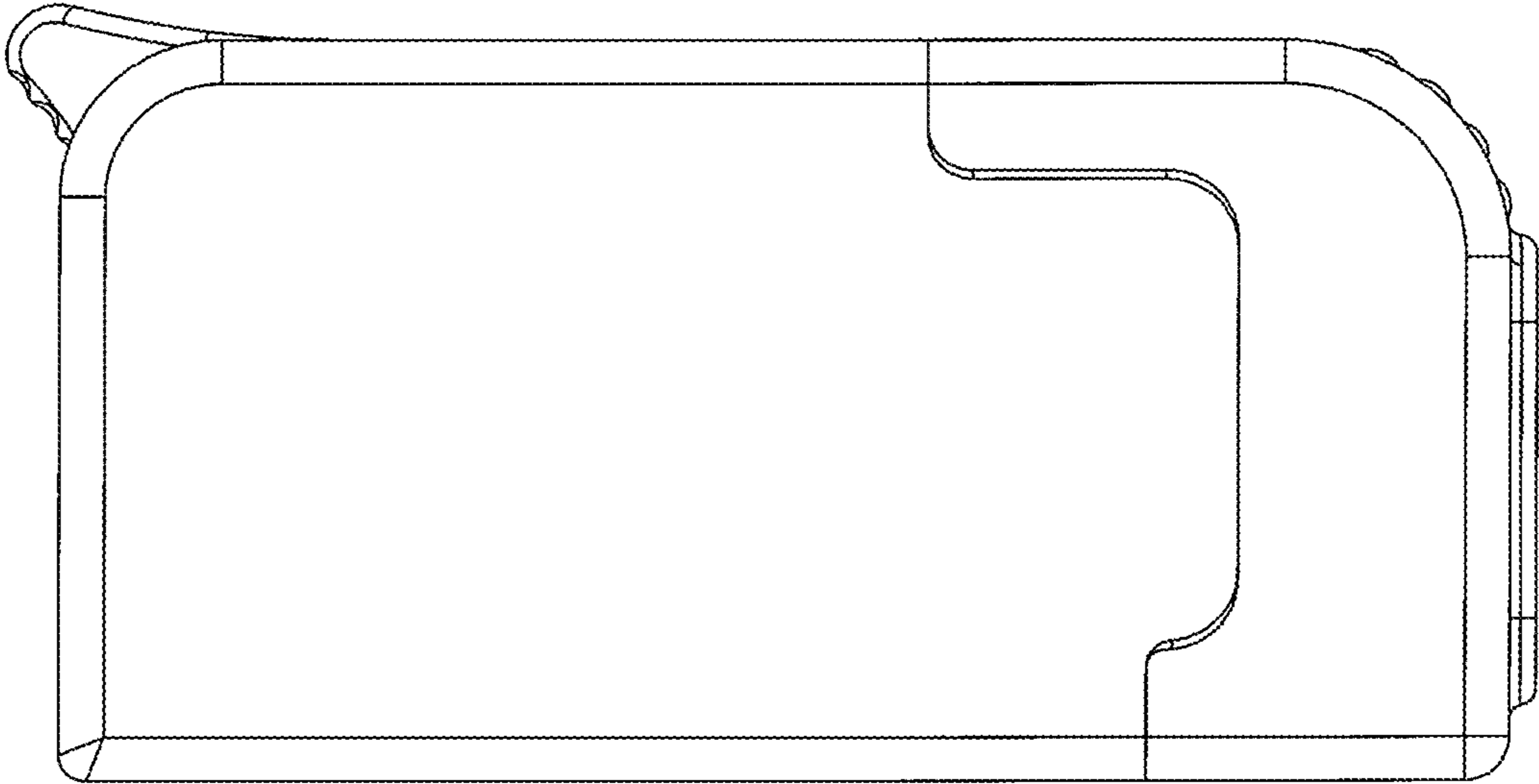


FIG. 4

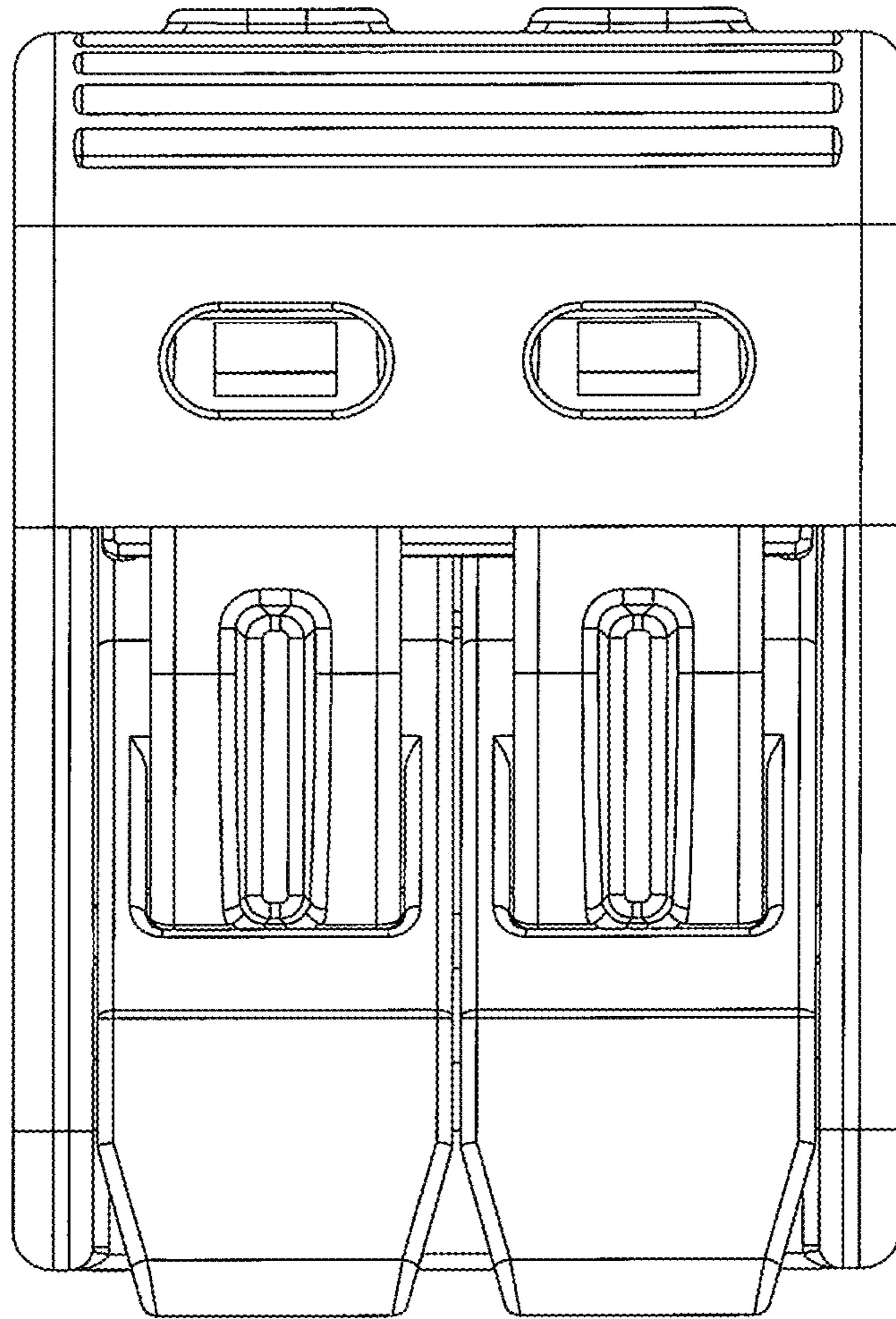


FIG. 5

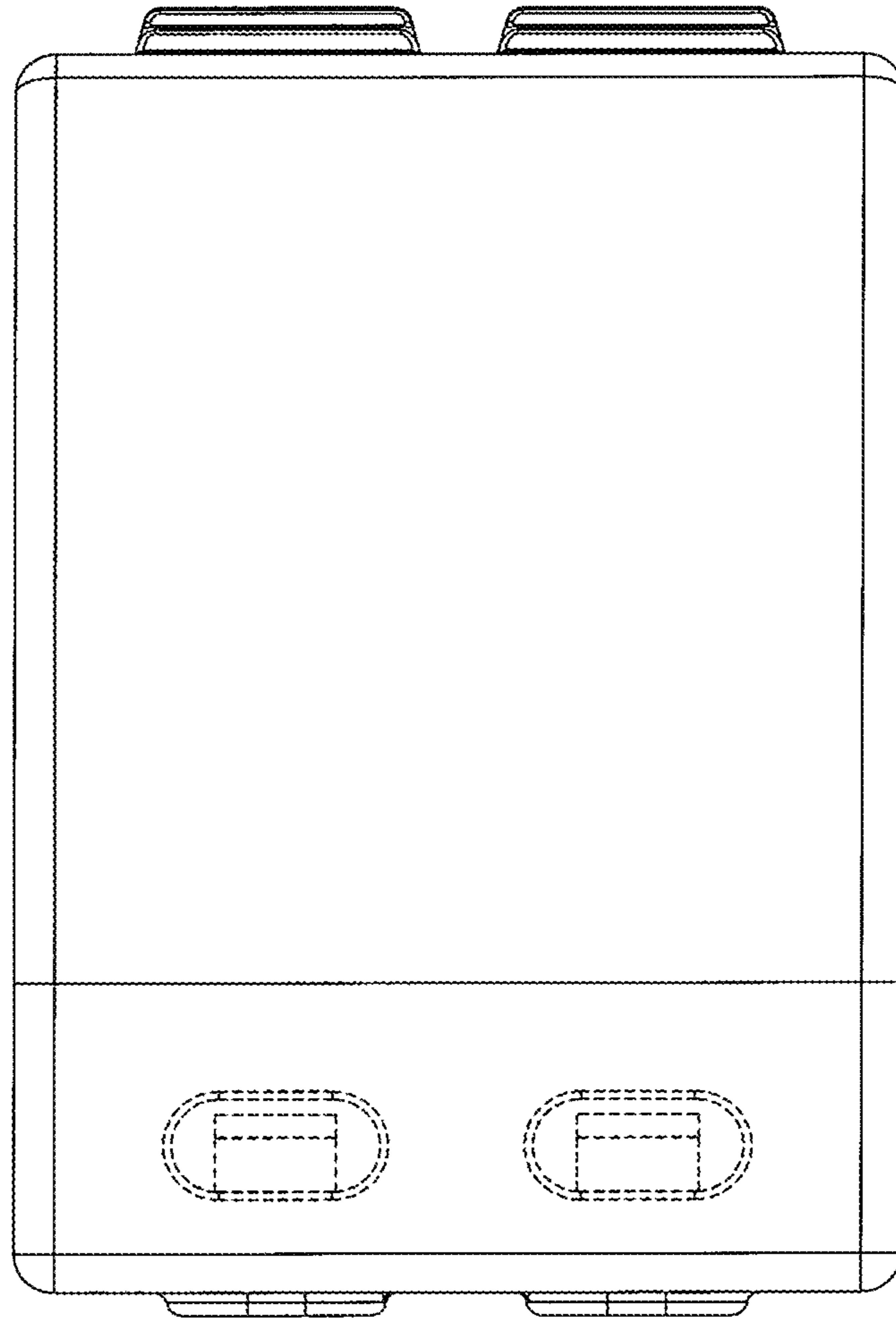


FIG. 6



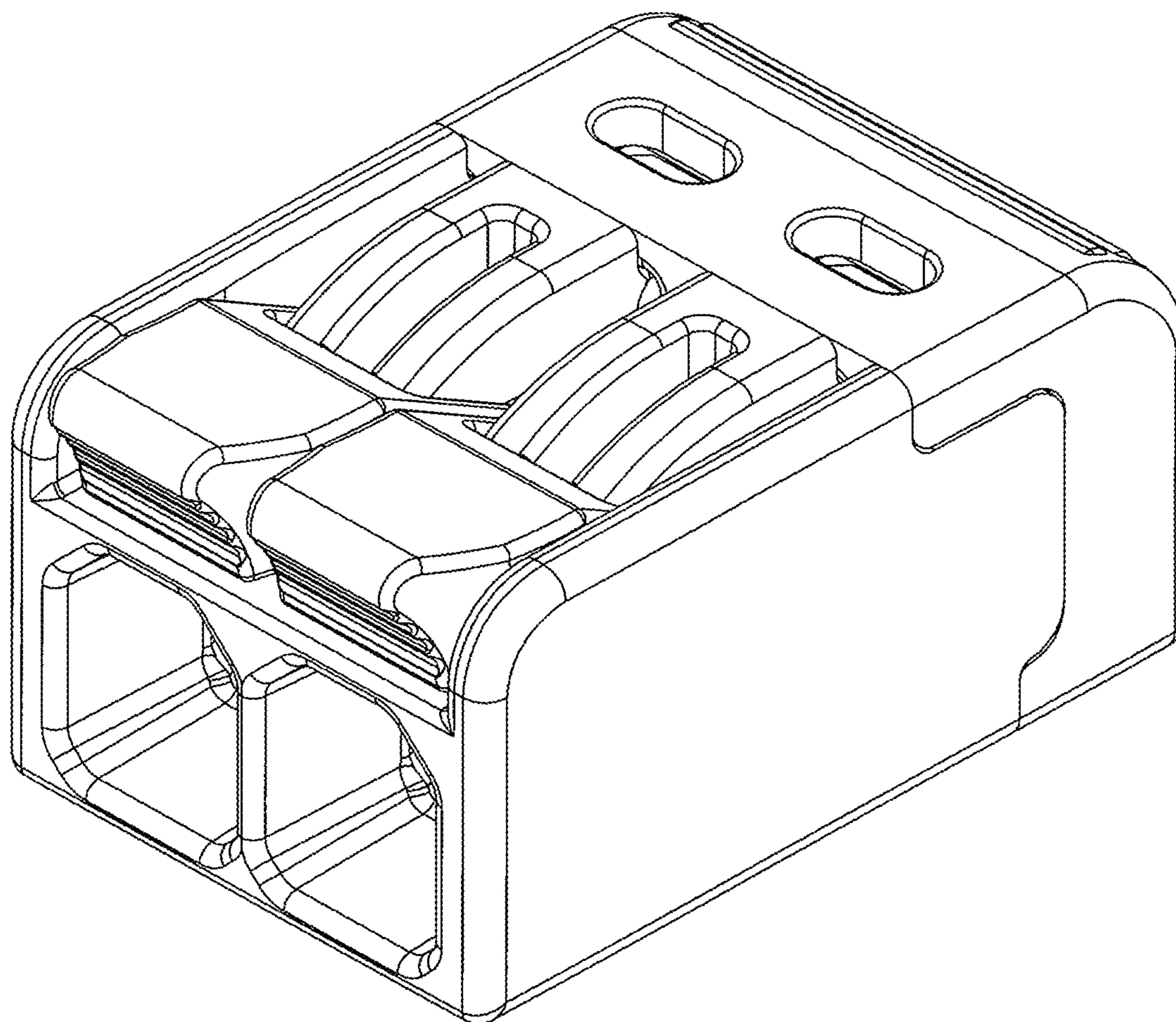


FIG. 7

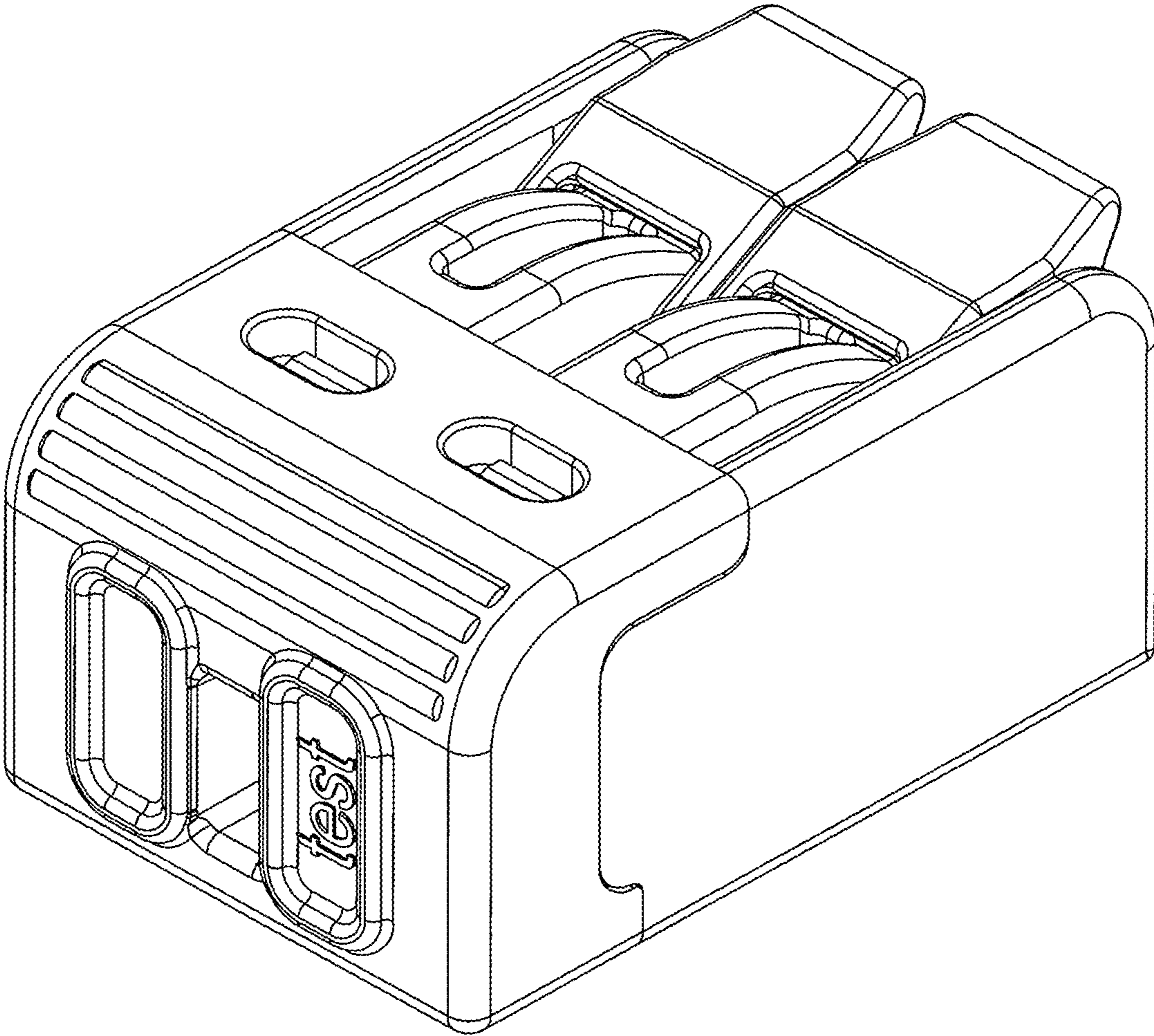


FIG. 8

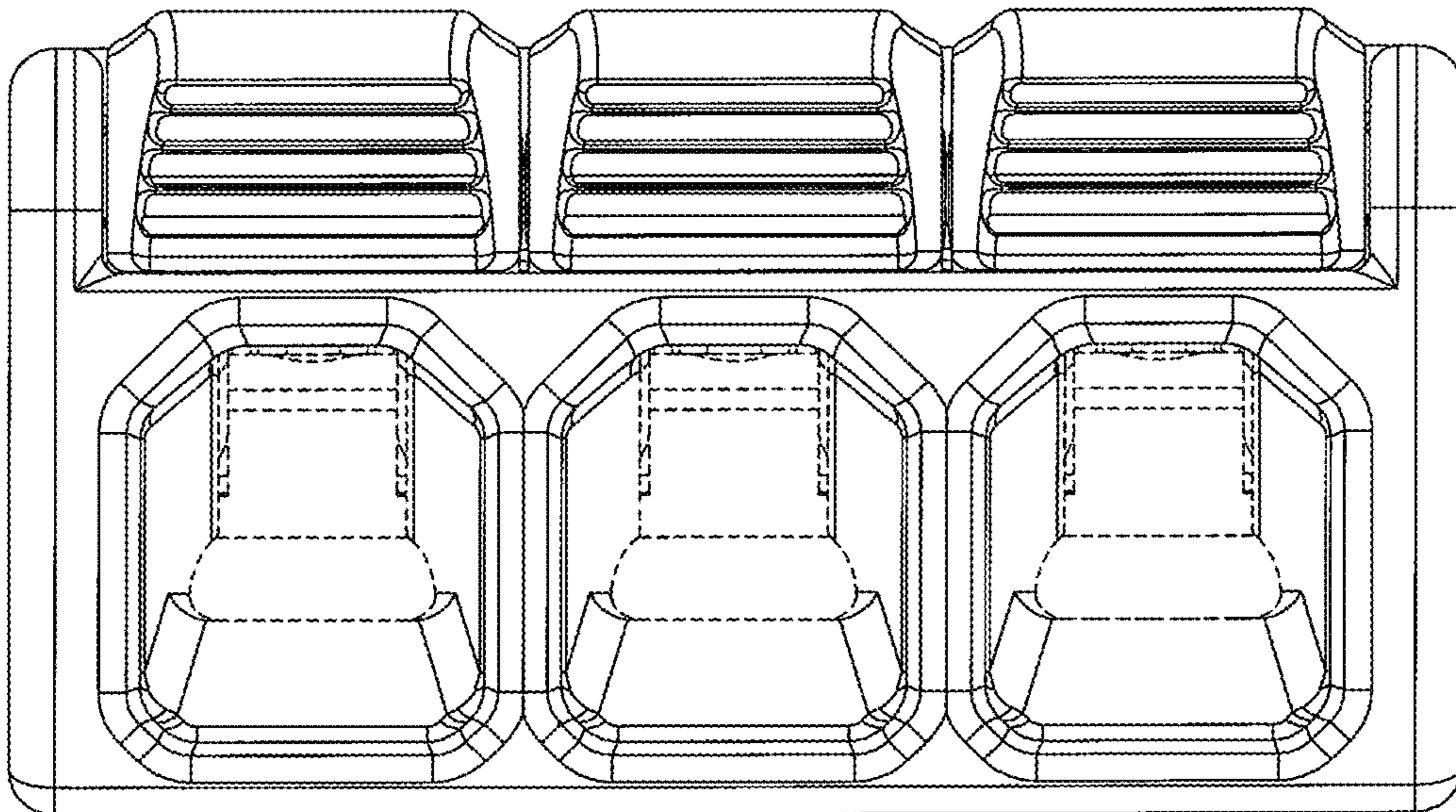


FIG. 9

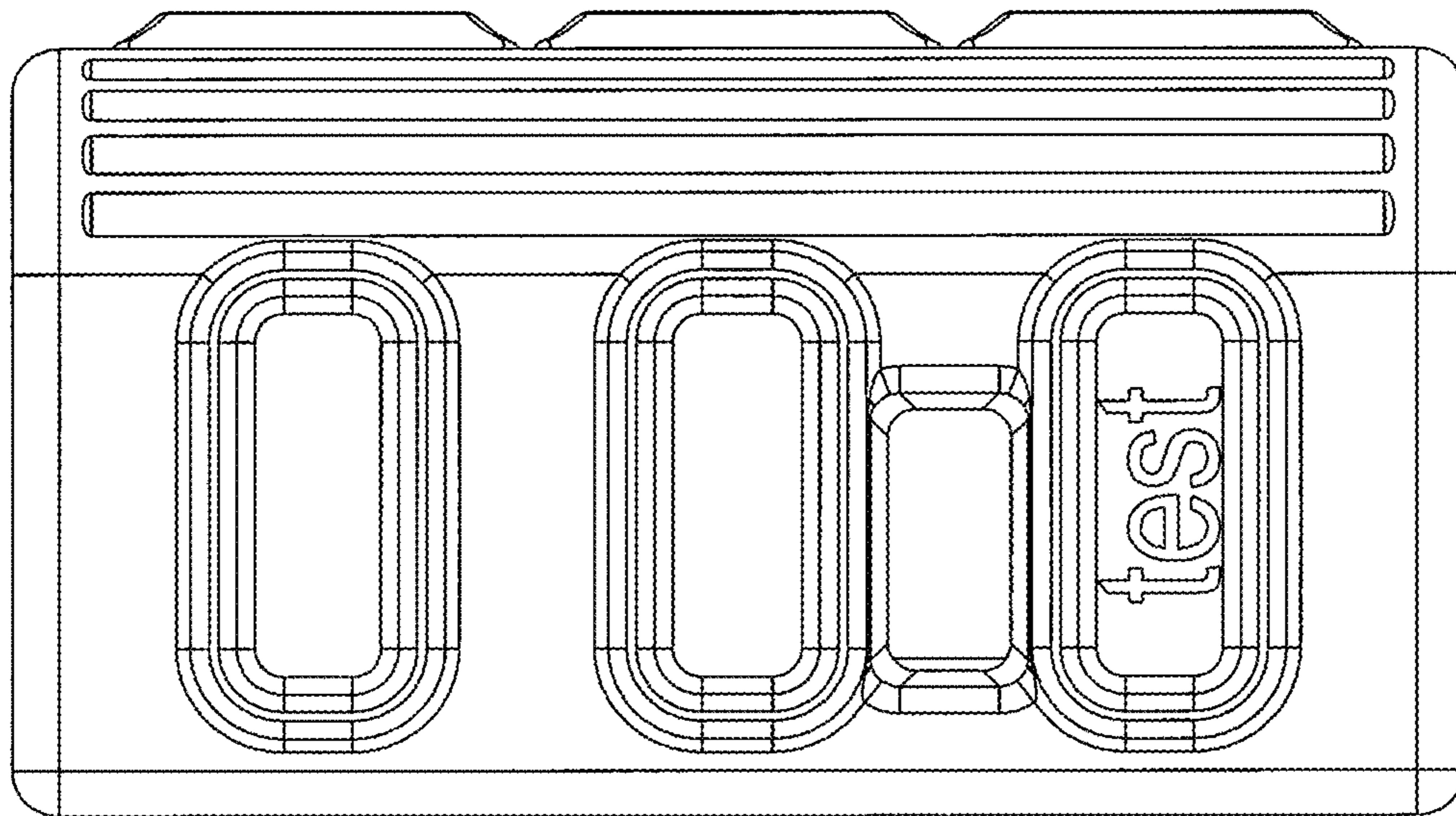


FIG. 10

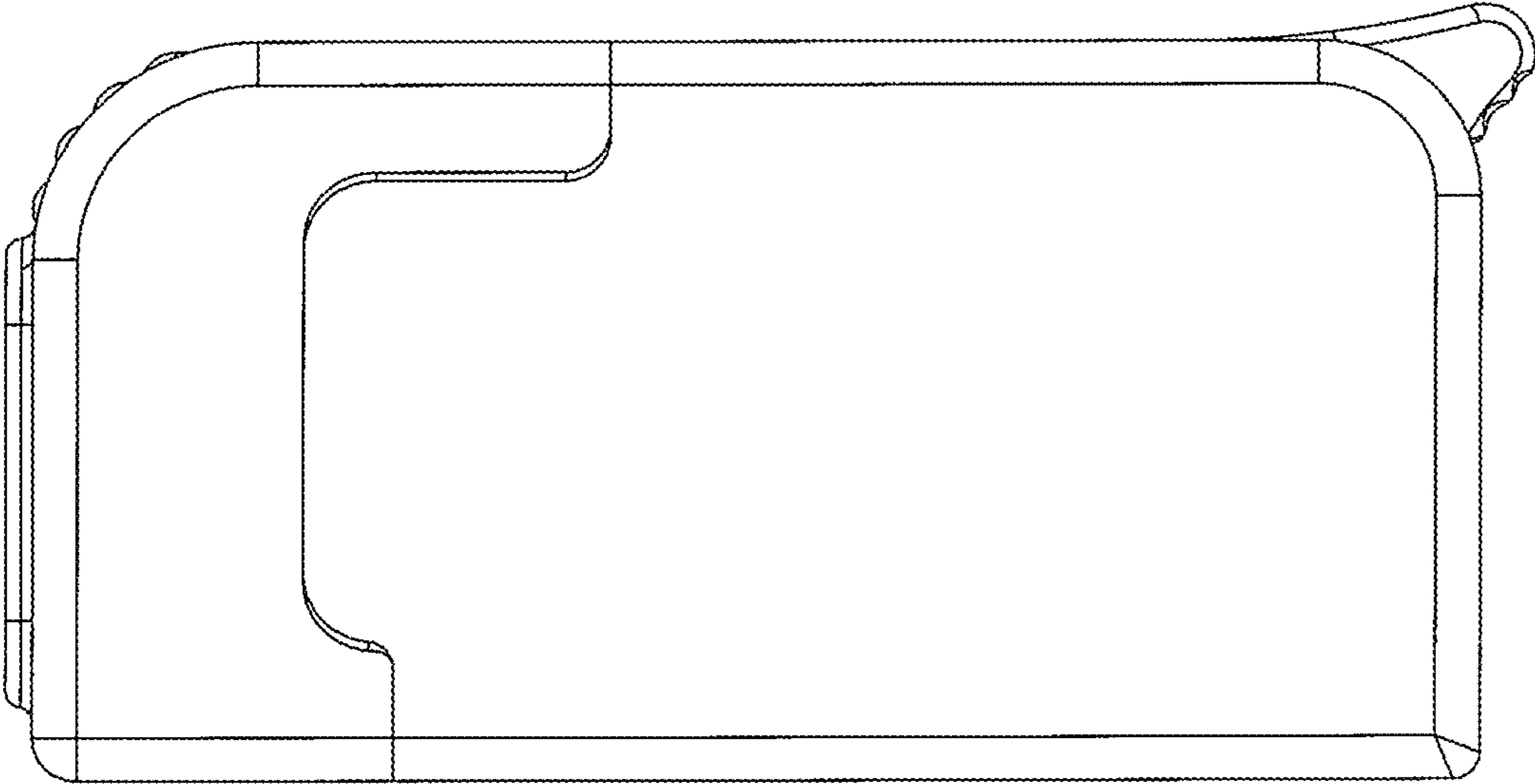


FIG. 11

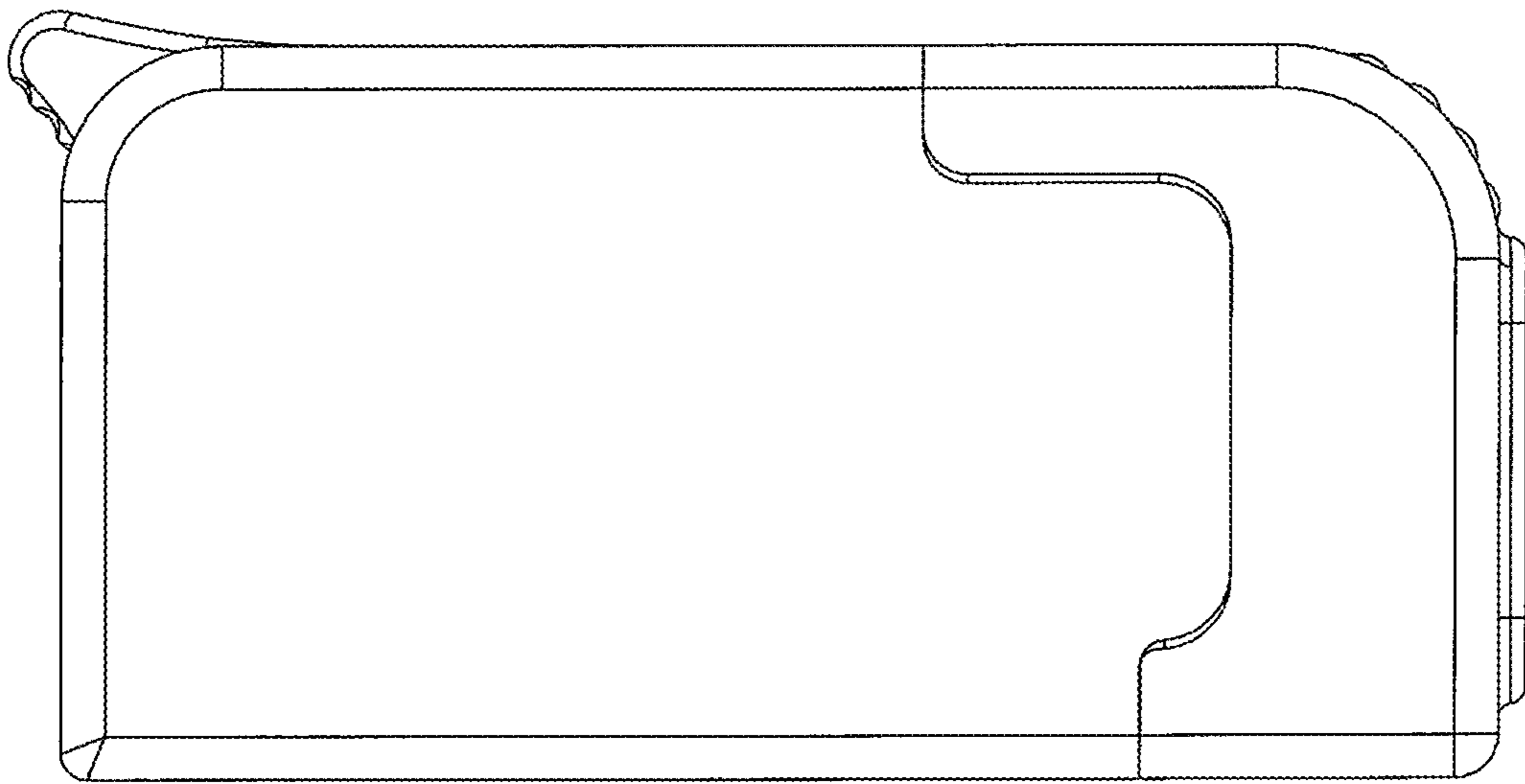


FIG. 12

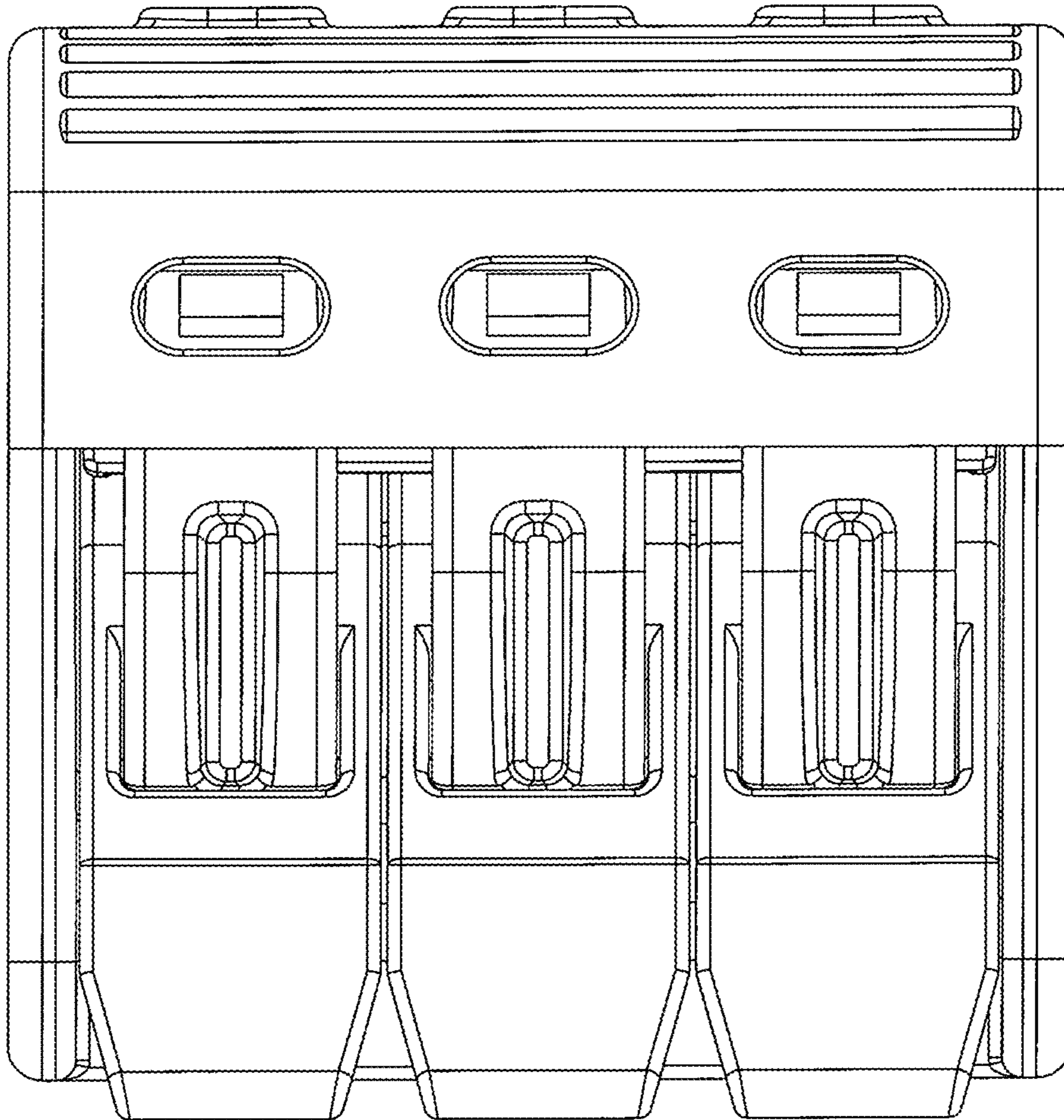


FIG. 13

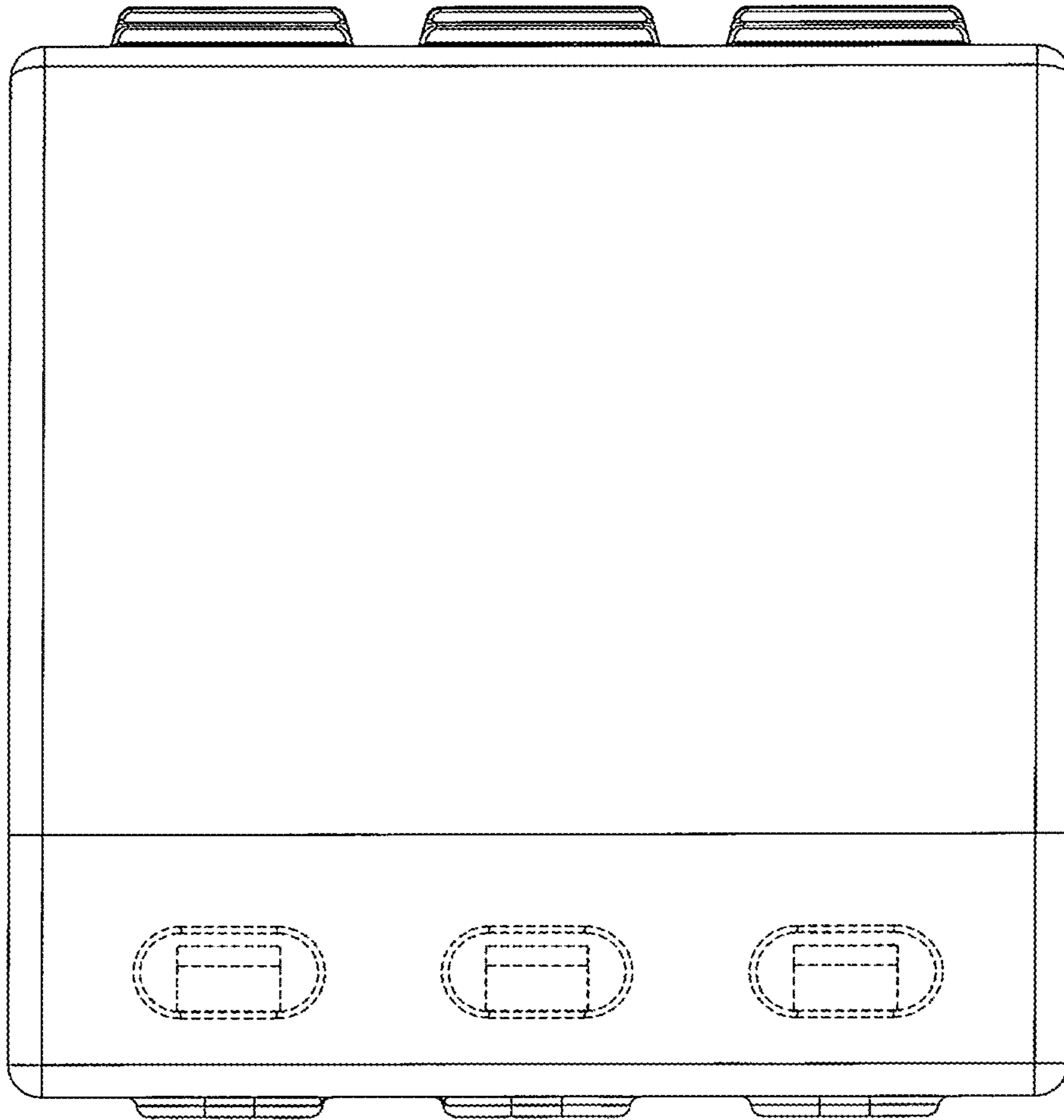


FIG. 14



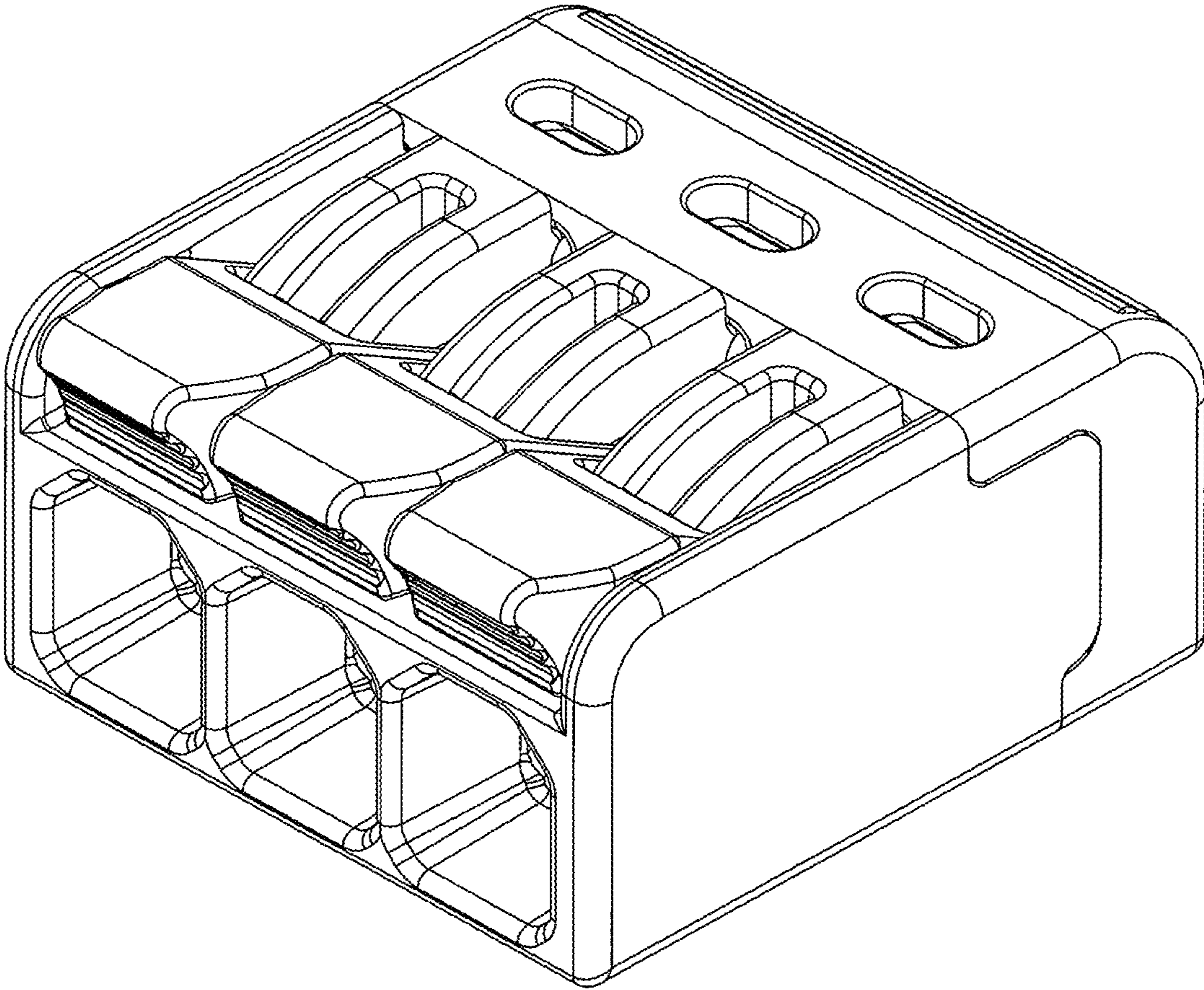


FIG. 15

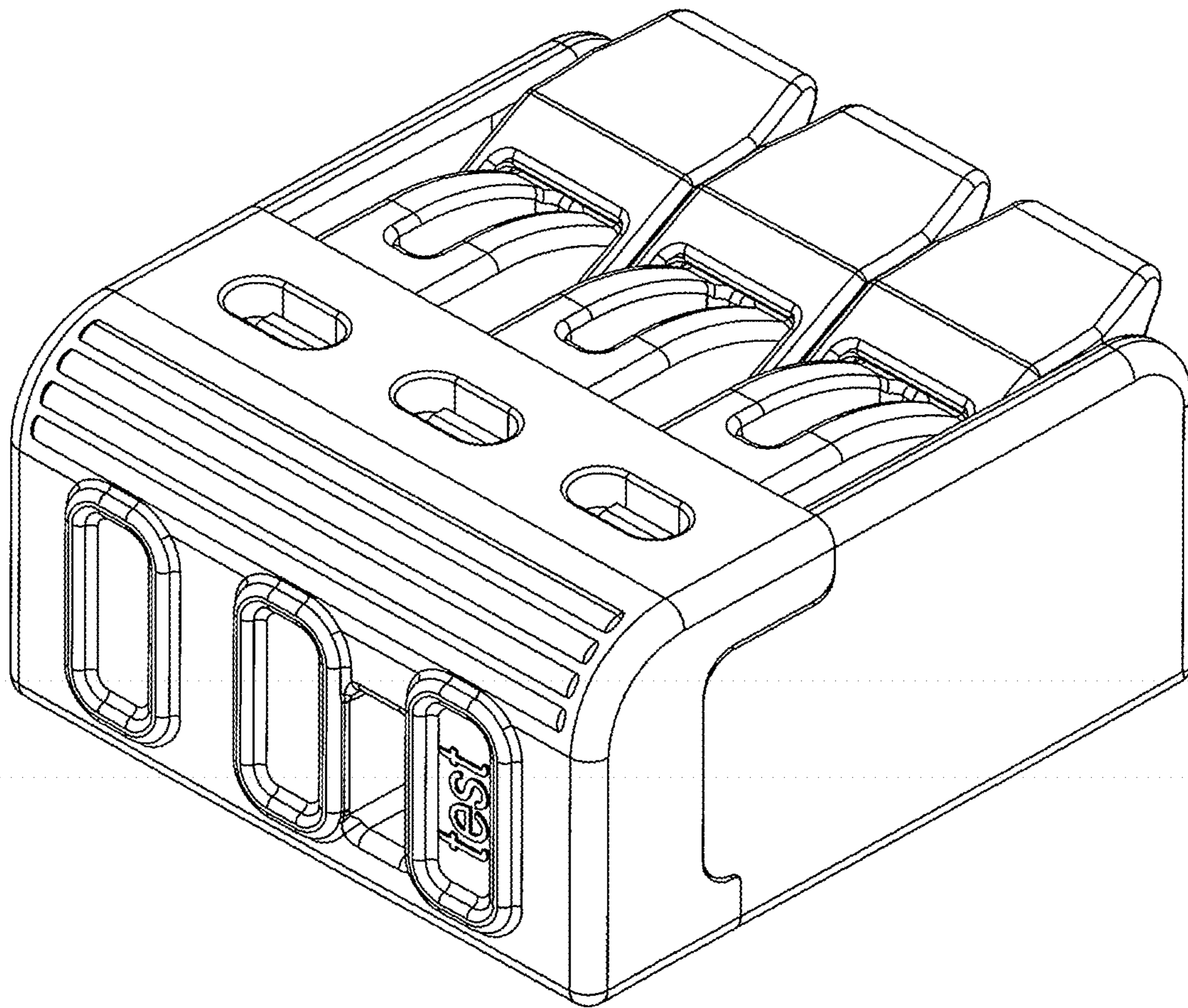


FIG. 16

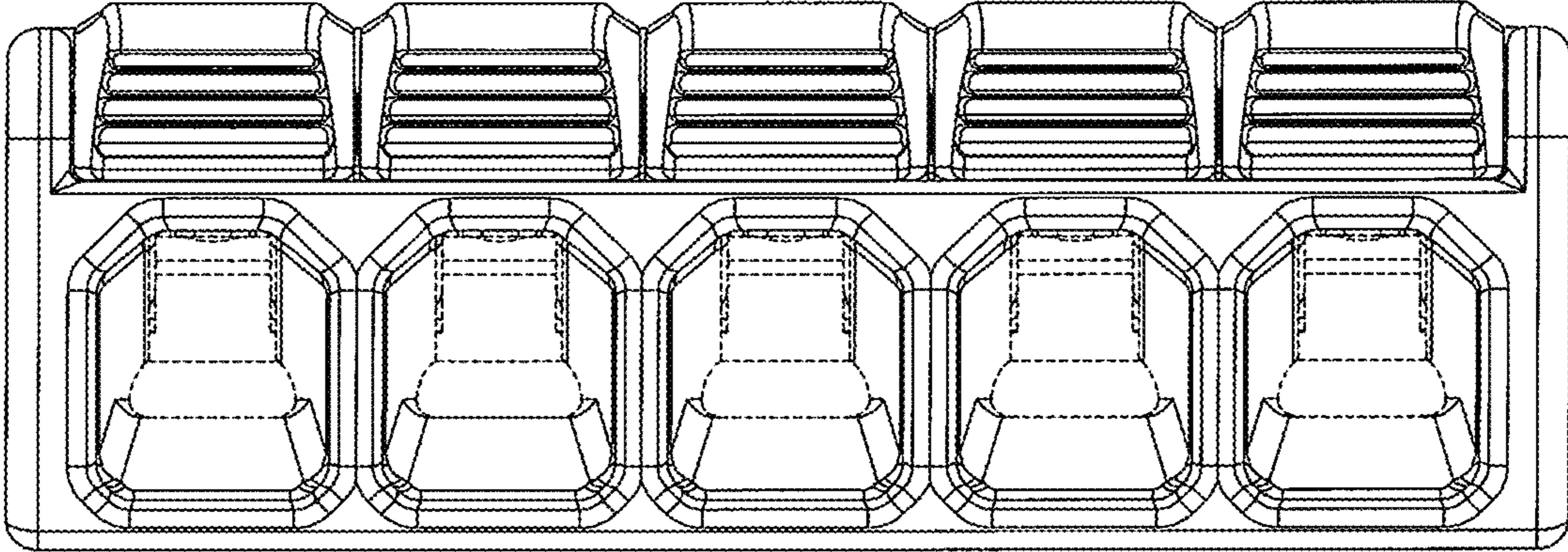


FIG. 17

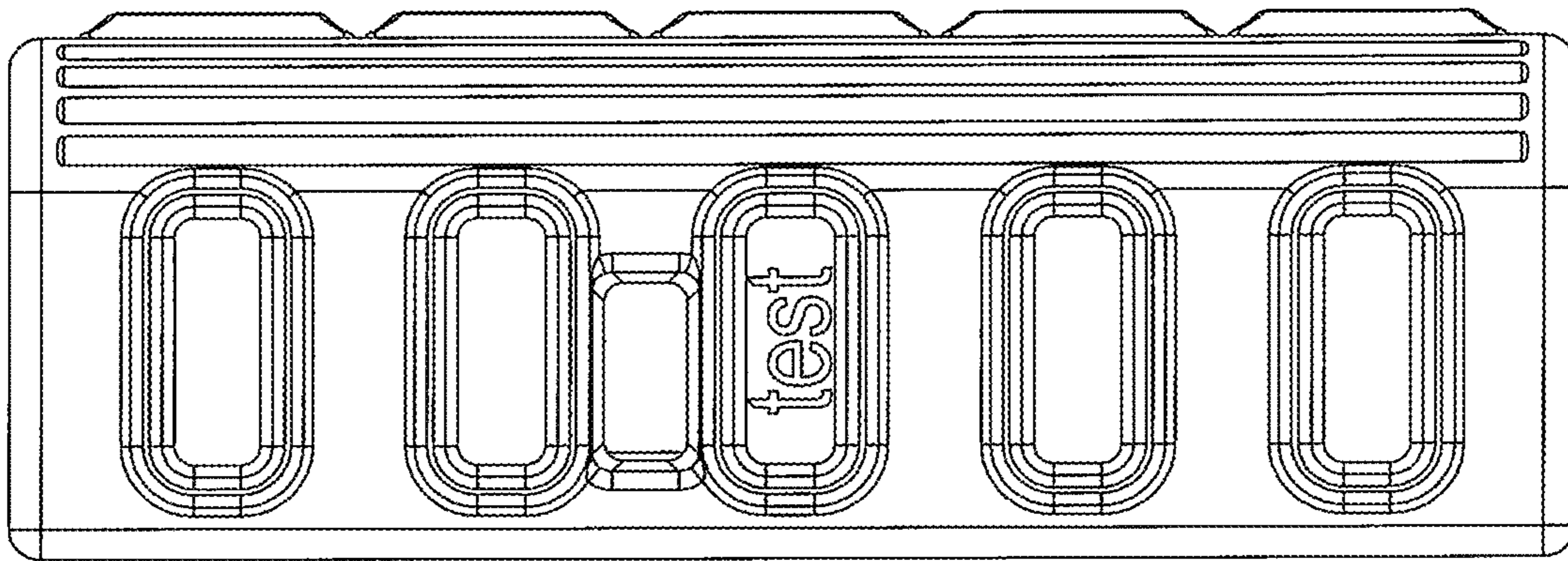


FIG. 18

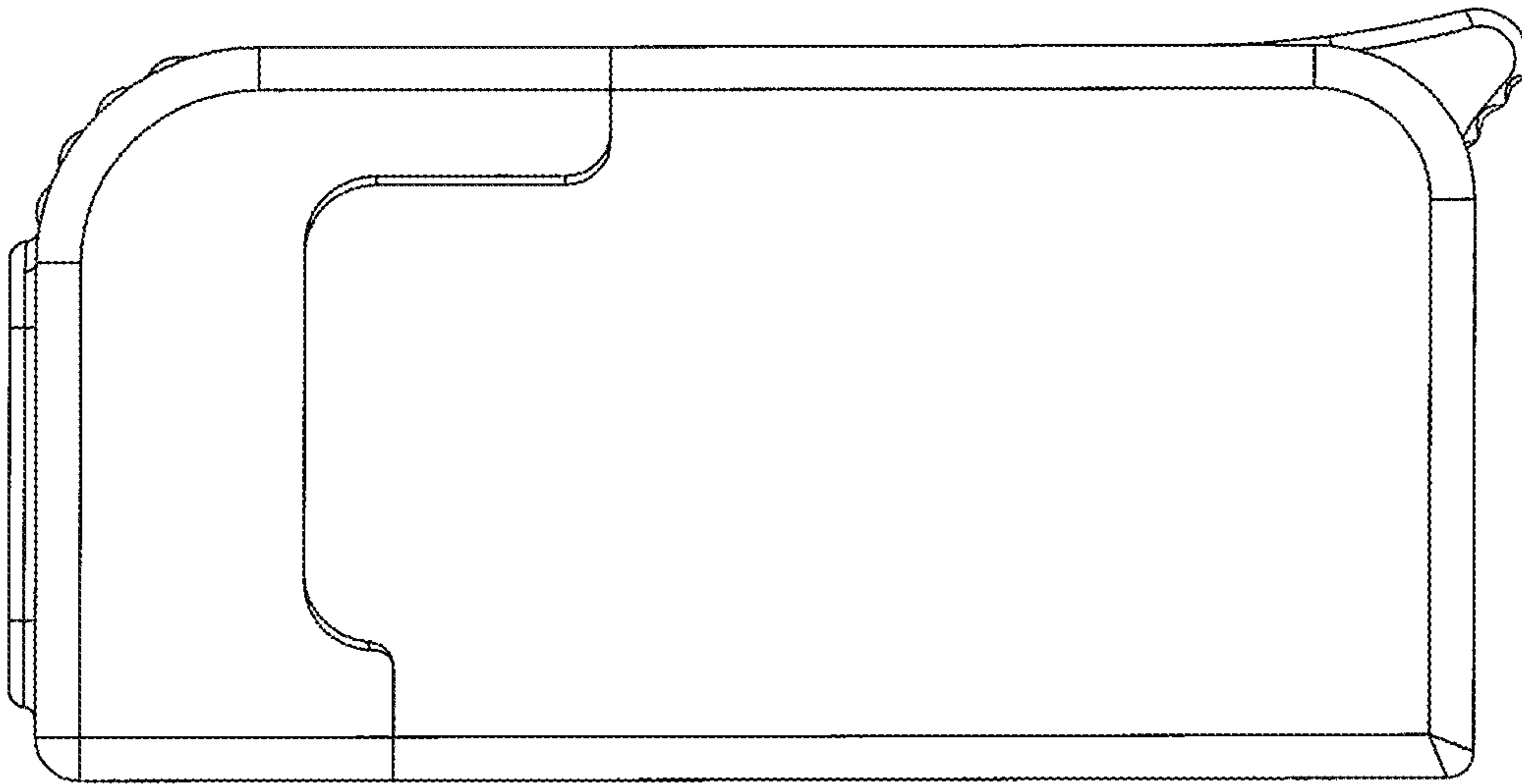


FIG. 19

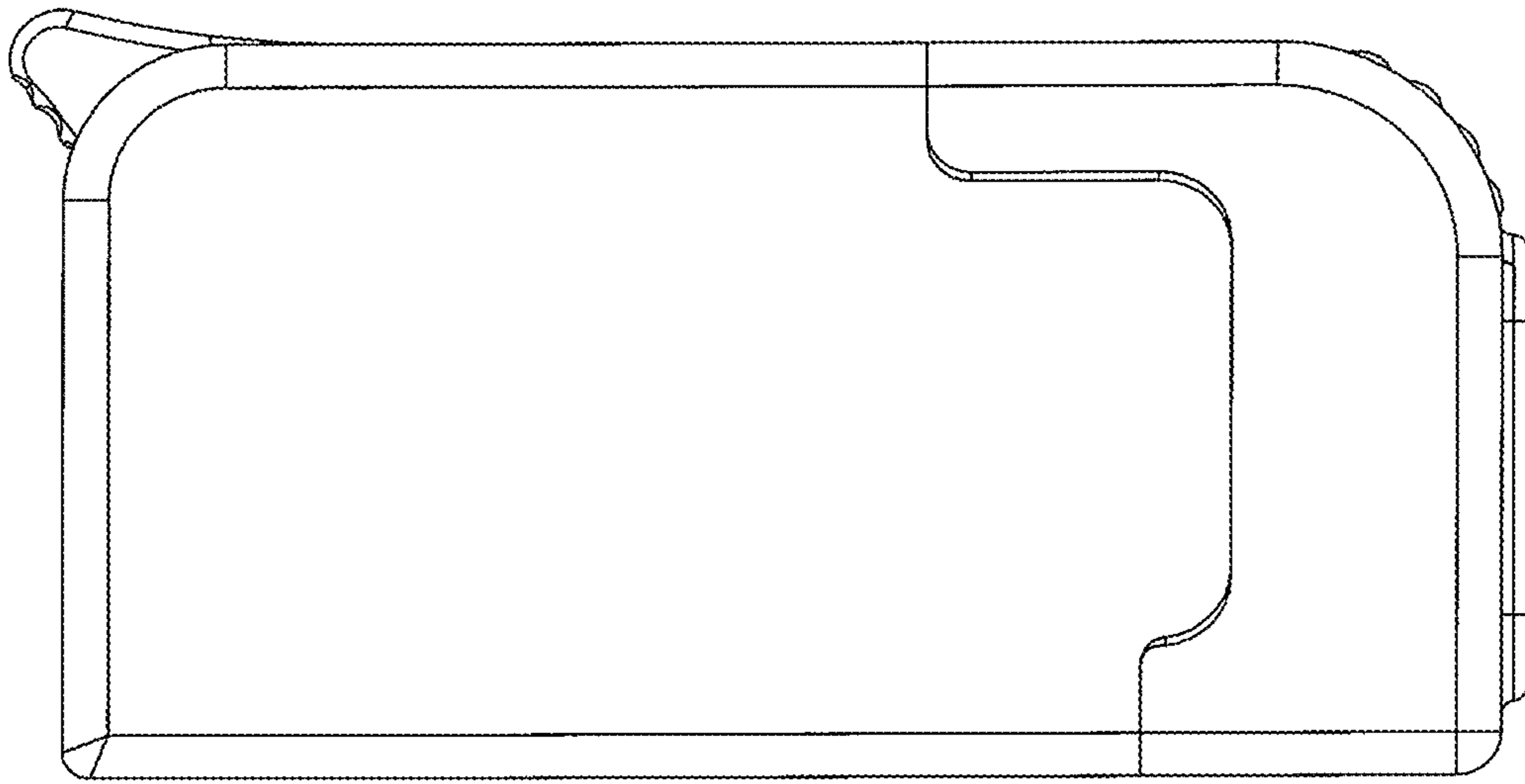


FIG. 20

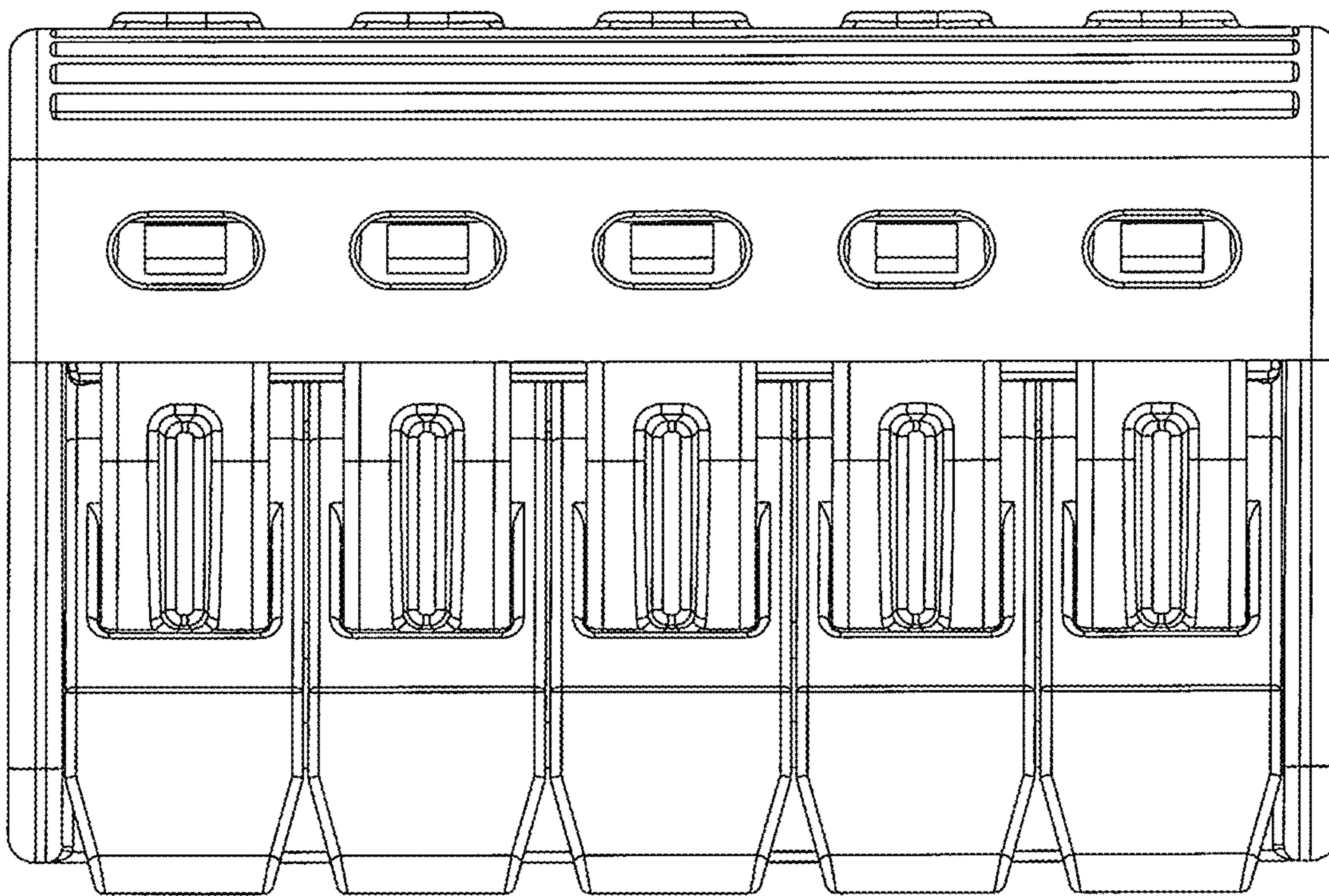


FIG. 21

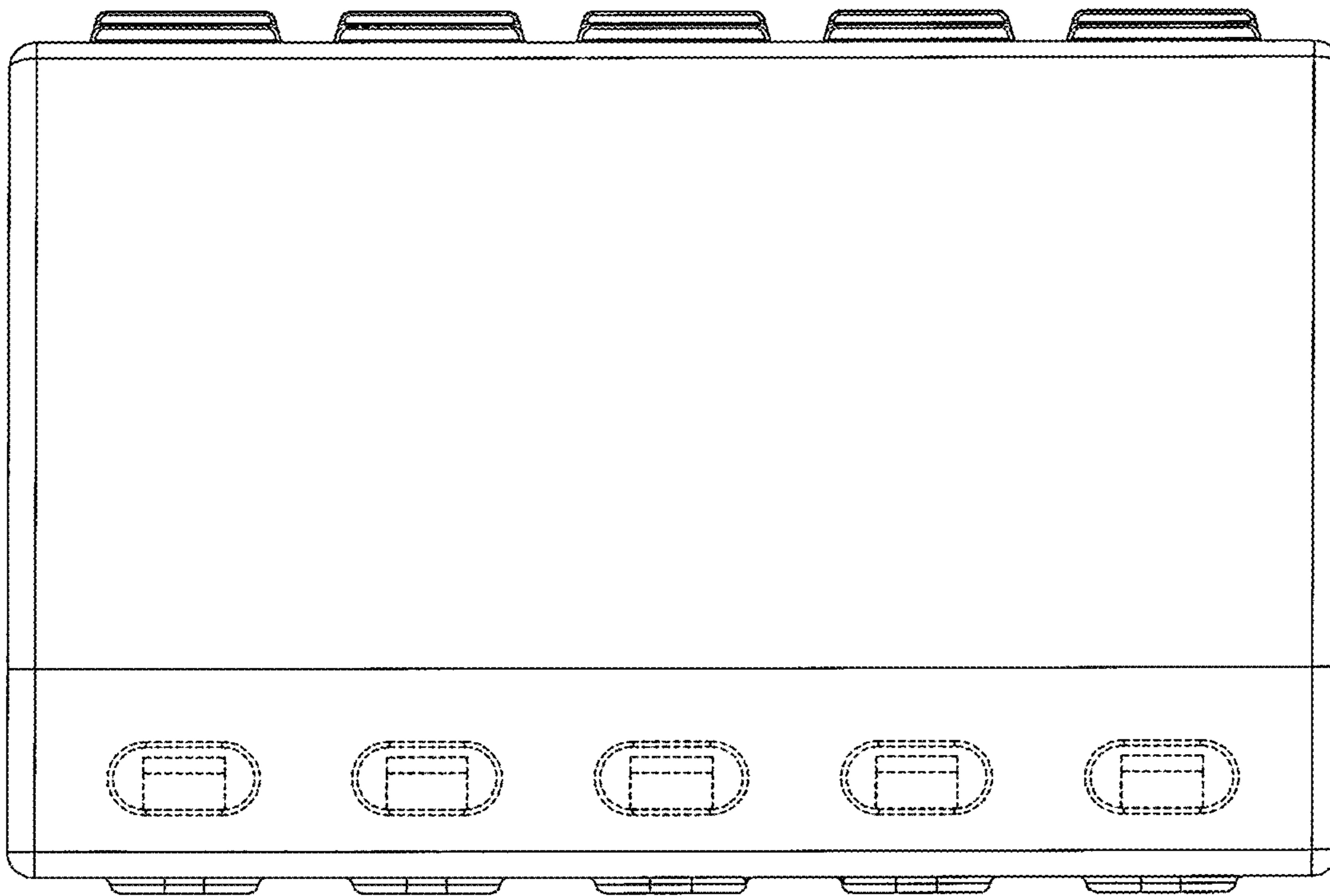


FIG. 22



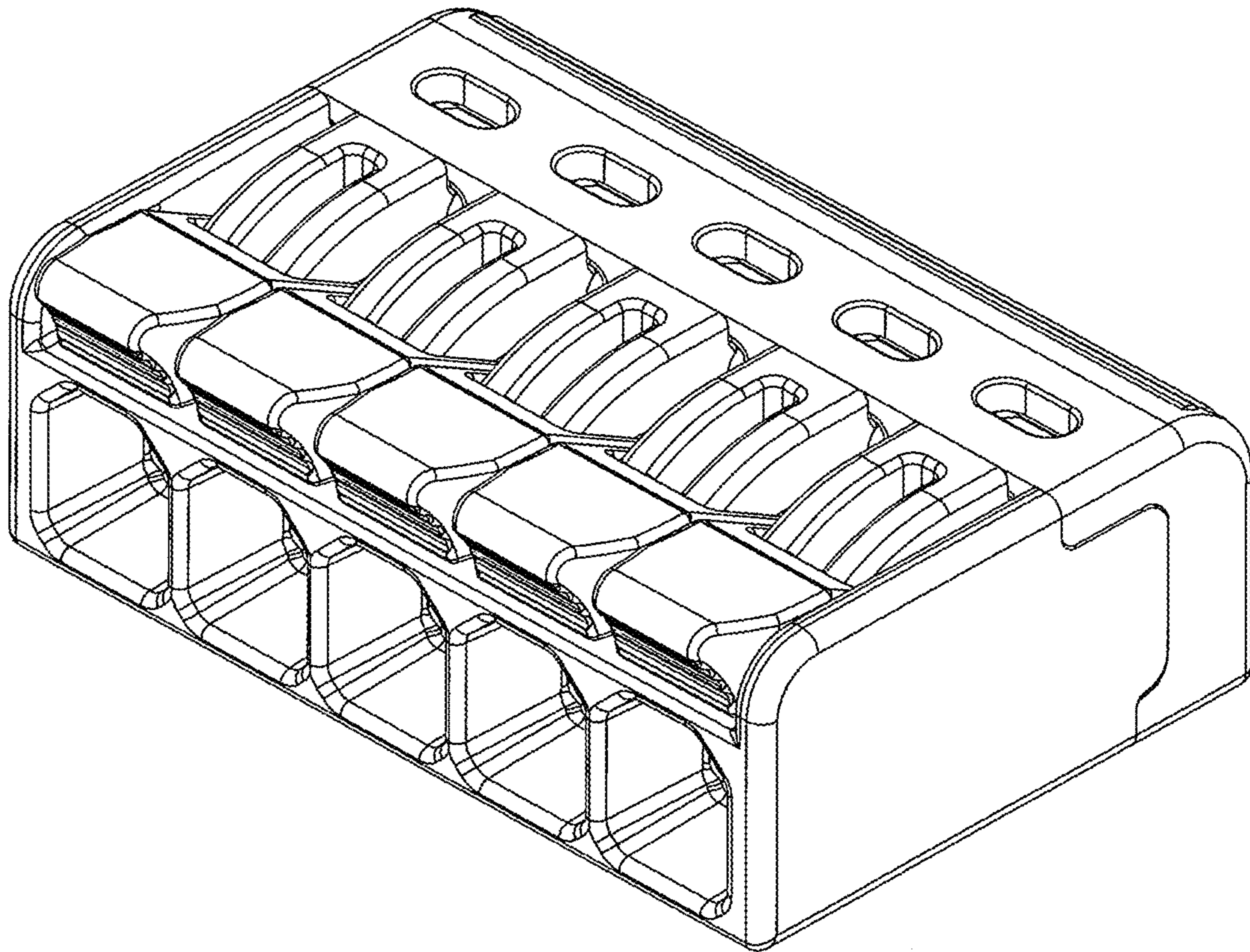


FIG. 23

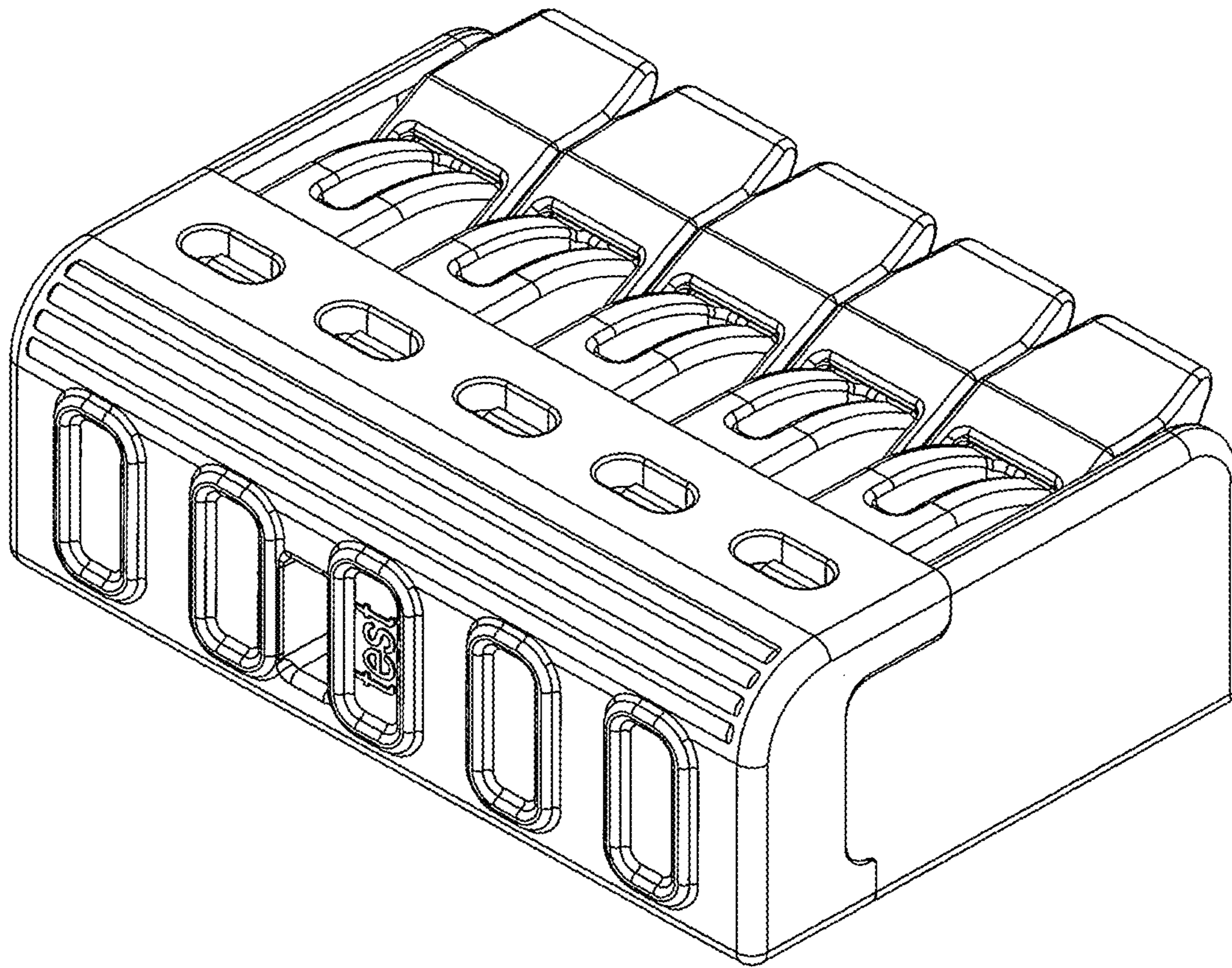


FIG. 24