

US00D929341S

(12) **United States Design Patent** (10) **Patent No.:** **US D929,341 S**
Li (45) **Date of Patent:** **** Aug. 31, 2021**

(54) **ELECTRIC LEAKAGE PROTECTOR**

FOREIGN PATENT DOCUMENTS

(71) Applicant: **LUEN MING ELECTRIC WORKS COMPANY LIMITED**, Kowloon (HK)

CA 172247 * 10/2017
CN 303596378 * 2/2016

(72) Inventor: **Hin Yeung Li**, Kowloon (HK)

OTHER PUBLICATIONS

(**) Term: **15 Years**

GFCI replacement plug by WELLONG. Amazon. Oldest review date: Jul. 17, 2018. Retrieval date: Feb. 24, 2021. Retrieved from internet: <https://www.amazon.com/Replacement-Circuit-Breaker-Waterproof-Auto-reset/dp/B07DWNCQG2> (Year: 2018).*

(21) Appl. No.: **29/703,176**

(22) Filed: **Aug. 26, 2019**

(51) **LOC (13) Cl.** **13-03**

(52) **U.S. Cl.**

USPC **D13/138.2**

(58) **Field of Classification Search**

USPC D13/137.1–137.4, 138.1, 138.2, 139.1, D13/139.2, 139.4, 139.6–139.8, 146, 147, D13/158, 160, 161; D14/432, 433
CPC .. H01R 13/639; H01R 13/6392; H01R 13/64; H01R 13/642; H01R 13/648; H01R 13/652; H01R 13/6666; H01R 13/6683; H01R 13/713; H01R 24/20; H01R 24/22; H01R 24/28; H01R 24/30; H01R 2103/00; H01H 2207/22; H01H 71/58; H01H 83/04; H01H 89/08; H02H 3/16; H05K 5/0247

See application file for complete search history.

Primary Examiner — Lilyana Bekic

Assistant Examiner — Lee D. Starr

(74) *Attorney, Agent, or Firm* — Prakash Nama; Global IP Services, PLLC

(57) **CLAIM**

The ornamental design for an electric leakage protector, as shown and described.

DESCRIPTION

FIG. 1 is a front elevational view of an electric leakage protector showing my new design; FIG. 2 is a rear elevational view thereof; FIG. 3 is a left side view thereof; FIG. 4 is a right side view thereof; FIG. 5 is a top plan view thereof; FIG. 6 is a bottom plan view thereof; FIG. 7 is a front, top, left perspective view thereof; FIG. 8 is a front, top, right perspective view thereof; FIG. 9 is a rear, right perspective view thereof; FIG. 10 is a front, bottom, left perspective view thereof; FIG. 11 is a front, bottom, right perspective view thereof; and, FIG. 12 is a rear, left perspective view thereof. The broken lines in the drawings depict portions of the electric leakage protector that form no part of the claimed design.

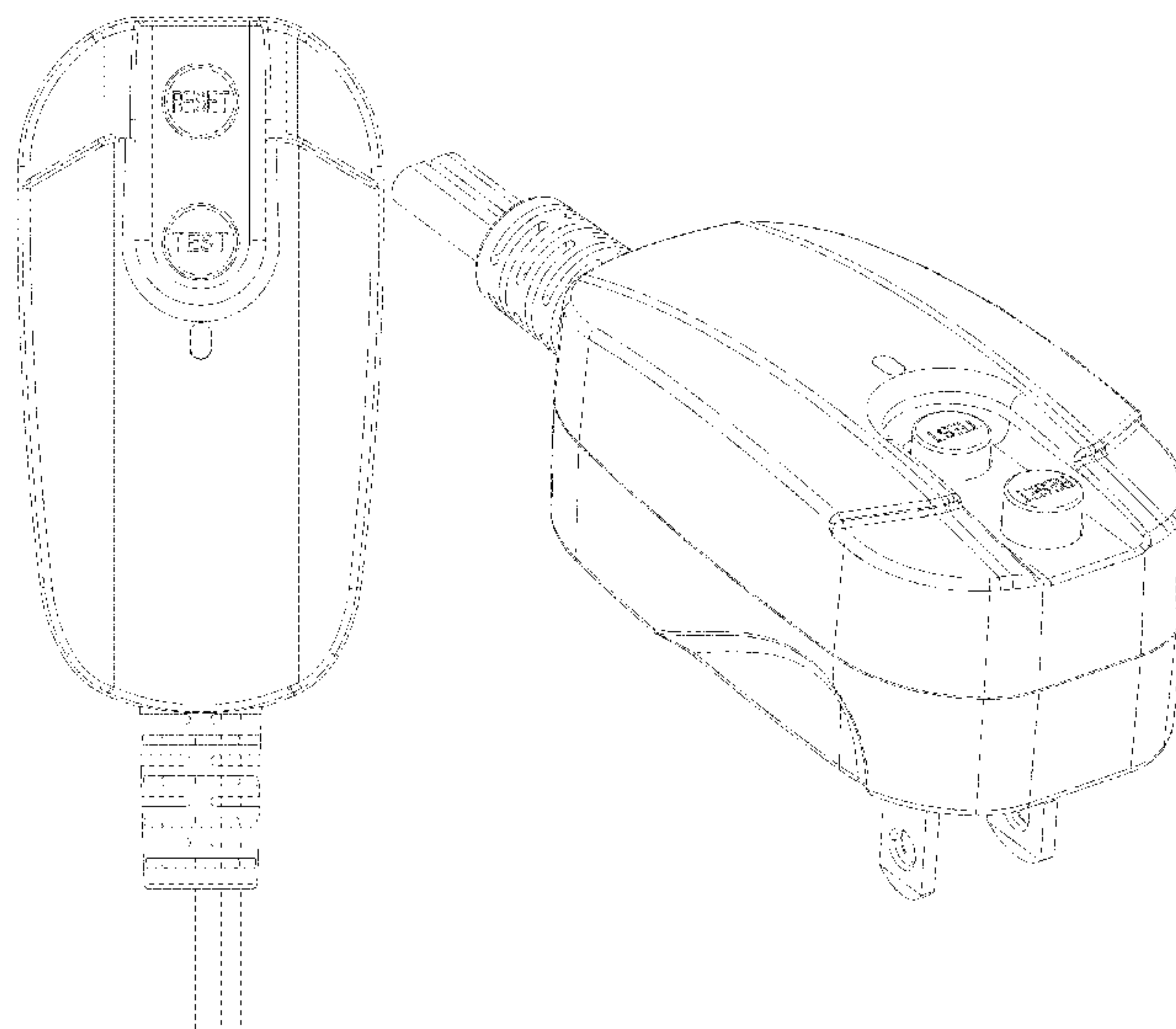
(56) **References Cited**

U.S. PATENT DOCUMENTS

D414,747 S	*	10/1999	Aromin	D13/160
D451,481 S	*	12/2001	MacKay	D13/160
D579,881 S	*	11/2008	Aromin	D13/160
D633,869 S	*	3/2011	Aromin	D13/138.1
D635,937 S	*	4/2011	Aromin	D13/160
D652,801 S	*	1/2012	Zou	D13/139.8
D653,214 S	*	1/2012	Zou	D13/138.2
D735,136 S	*	7/2015	Aromin	D13/138.2
D742,831 S	*	11/2015	Yu	D13/139.6
D819,572 S	*	6/2018	Ye	D13/138.2
D821,977 S	*	7/2018	Ye	D13/138.2

(Continued)

1 Claim, 12 Drawing Sheets



(56)

References Cited

U.S. PATENT DOCUMENTS

D822,609 S * 7/2018 Aromin D13/138.2
D849,577 S * 5/2019 Aromin D10/78
D860,138 S * 9/2019 Aromin D13/138.2
D880,426 S * 4/2020 Aromin D13/138.2
D882,521 S * 4/2020 Aromin D13/138.2
D891,375 S * 7/2020 Aromin D13/138.2
D893,435 S * 8/2020 Aromin D13/160
2006/0198066 A1* 9/2006 Chen H01H 89/08
361/42
2018/0166833 A1* 6/2018 Nie H02H 3/16
2018/0302997 A1* 10/2018 Aromin H05K 5/0247
2020/0366083 A1* 11/2020 Li H02H 1/0007

* cited by examiner

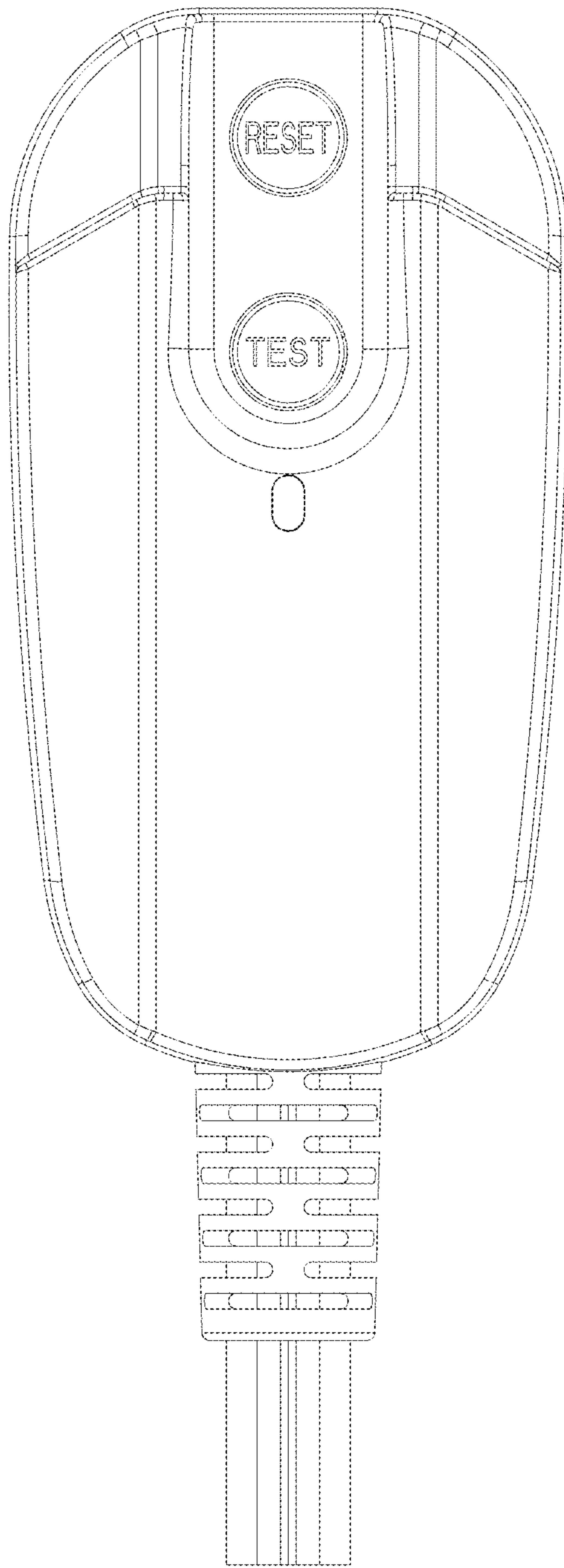


Fig. 1

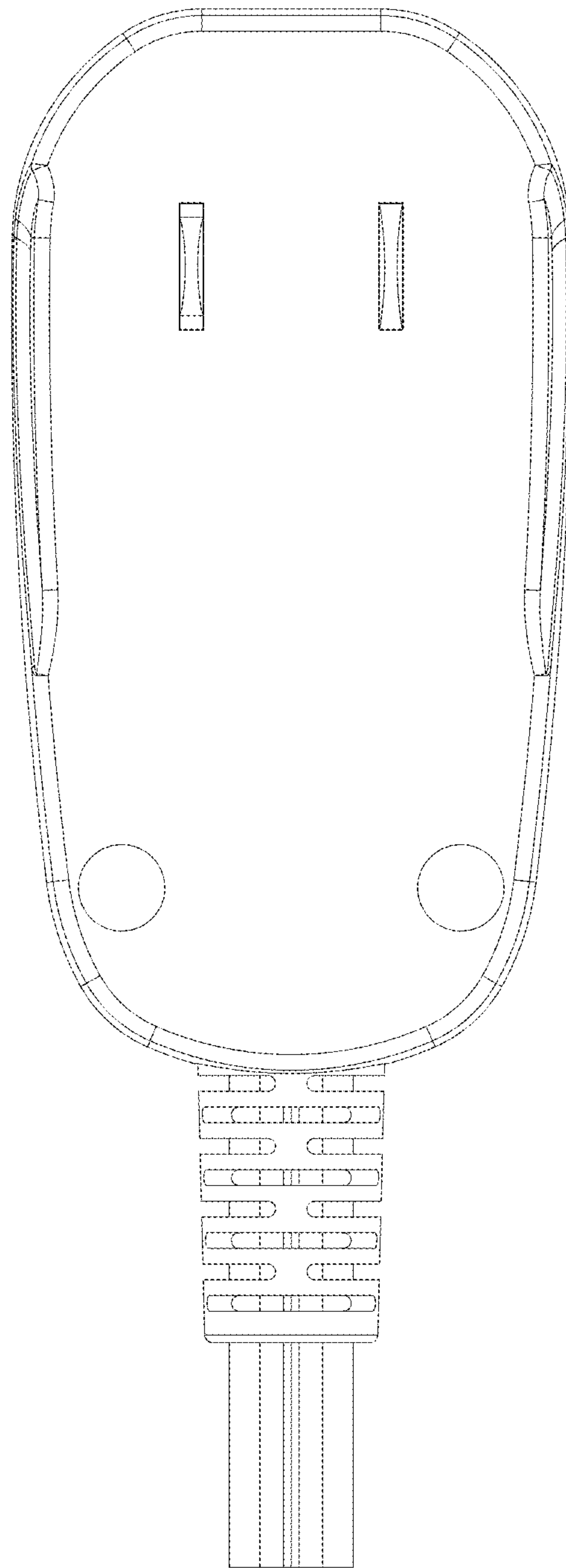


Fig. 2

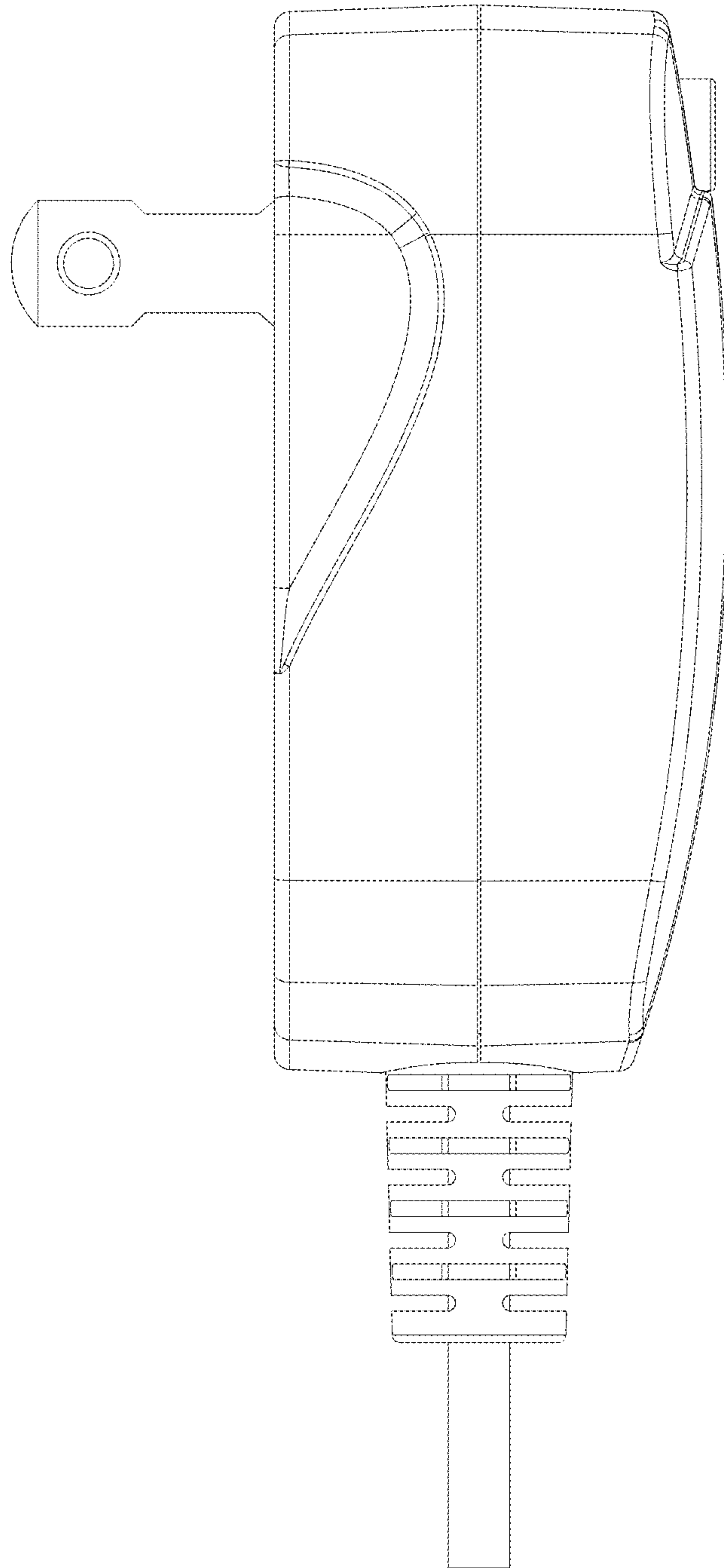


Fig. 3

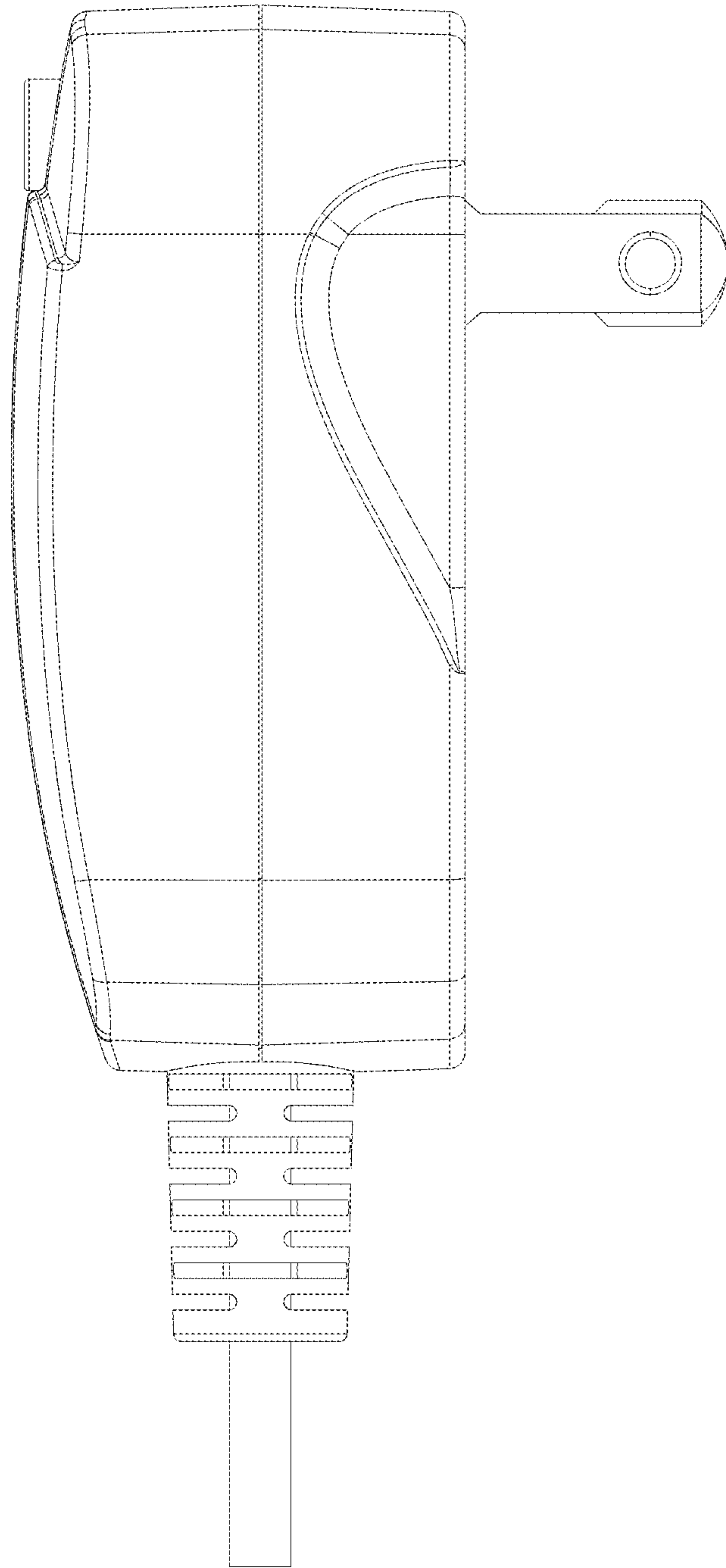


Fig. 4

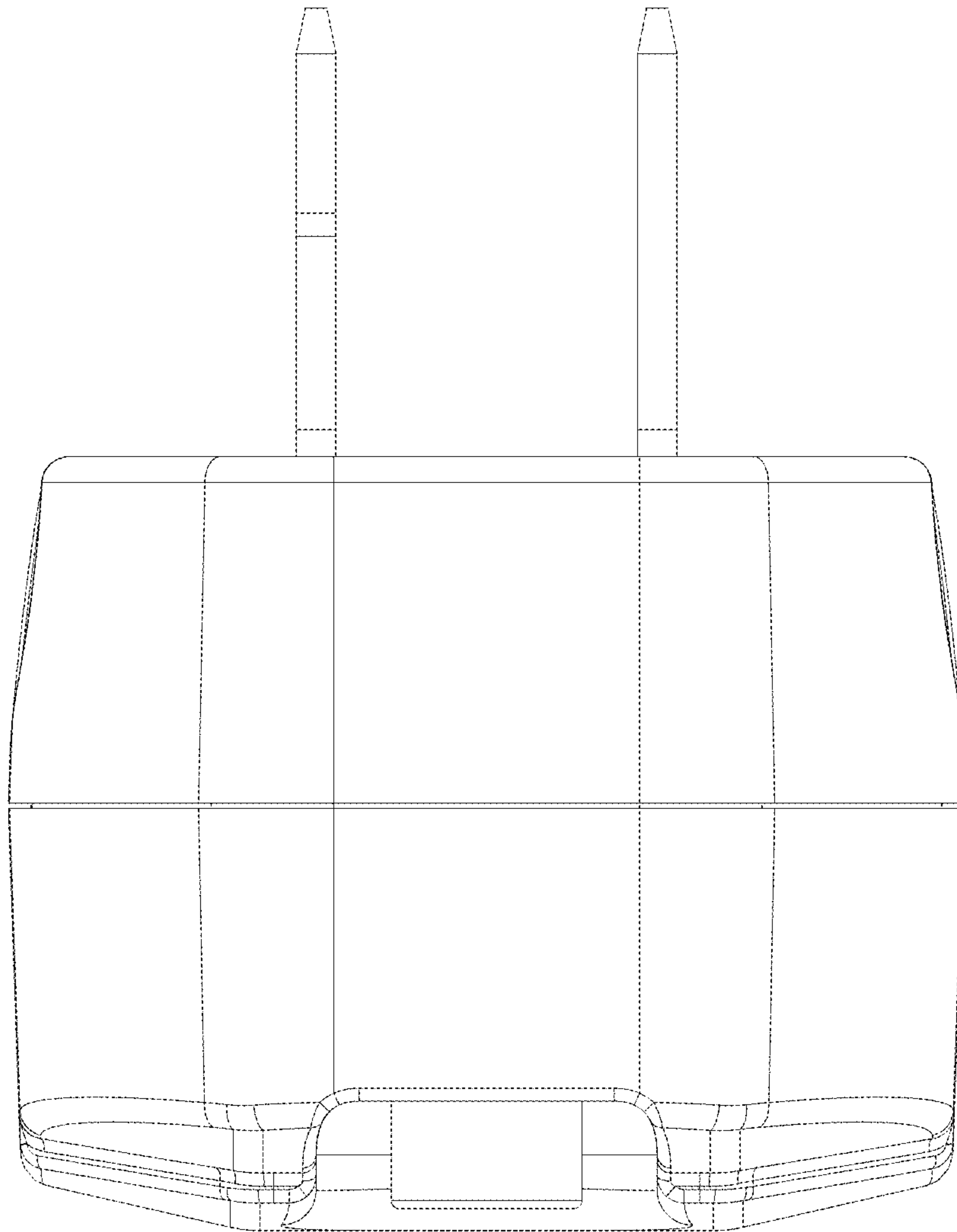


Fig. 5

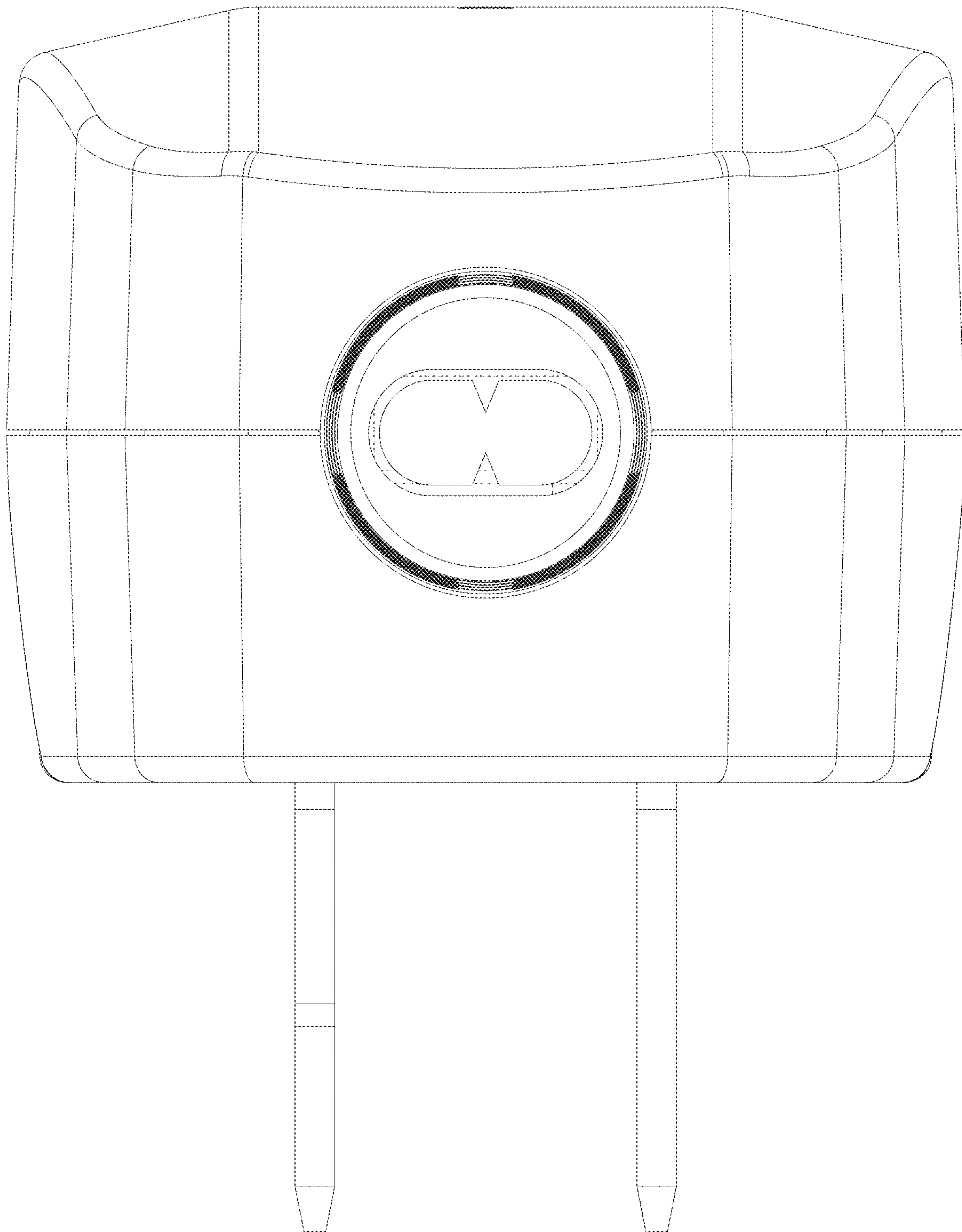


Fig. 6

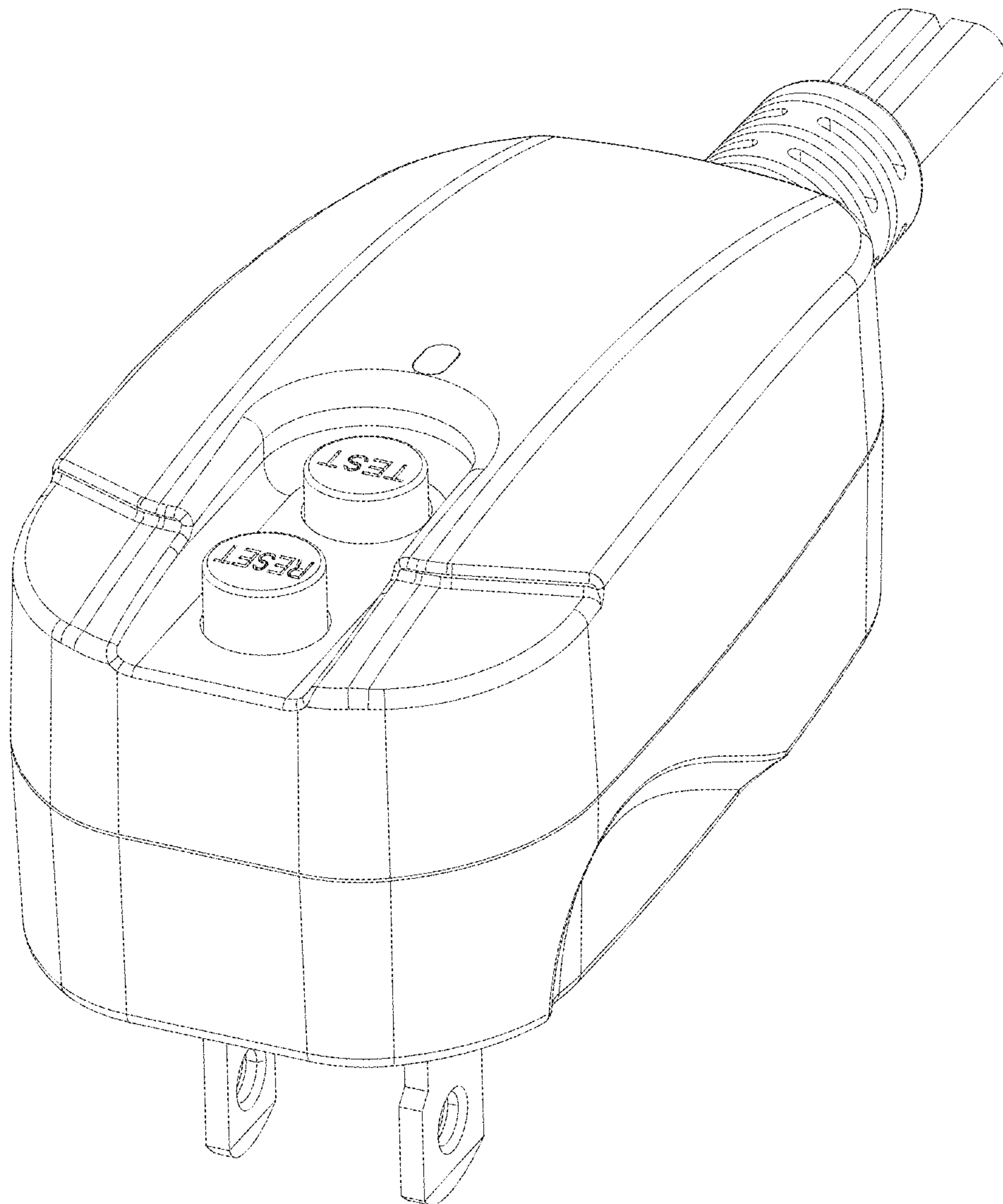


Fig. 7

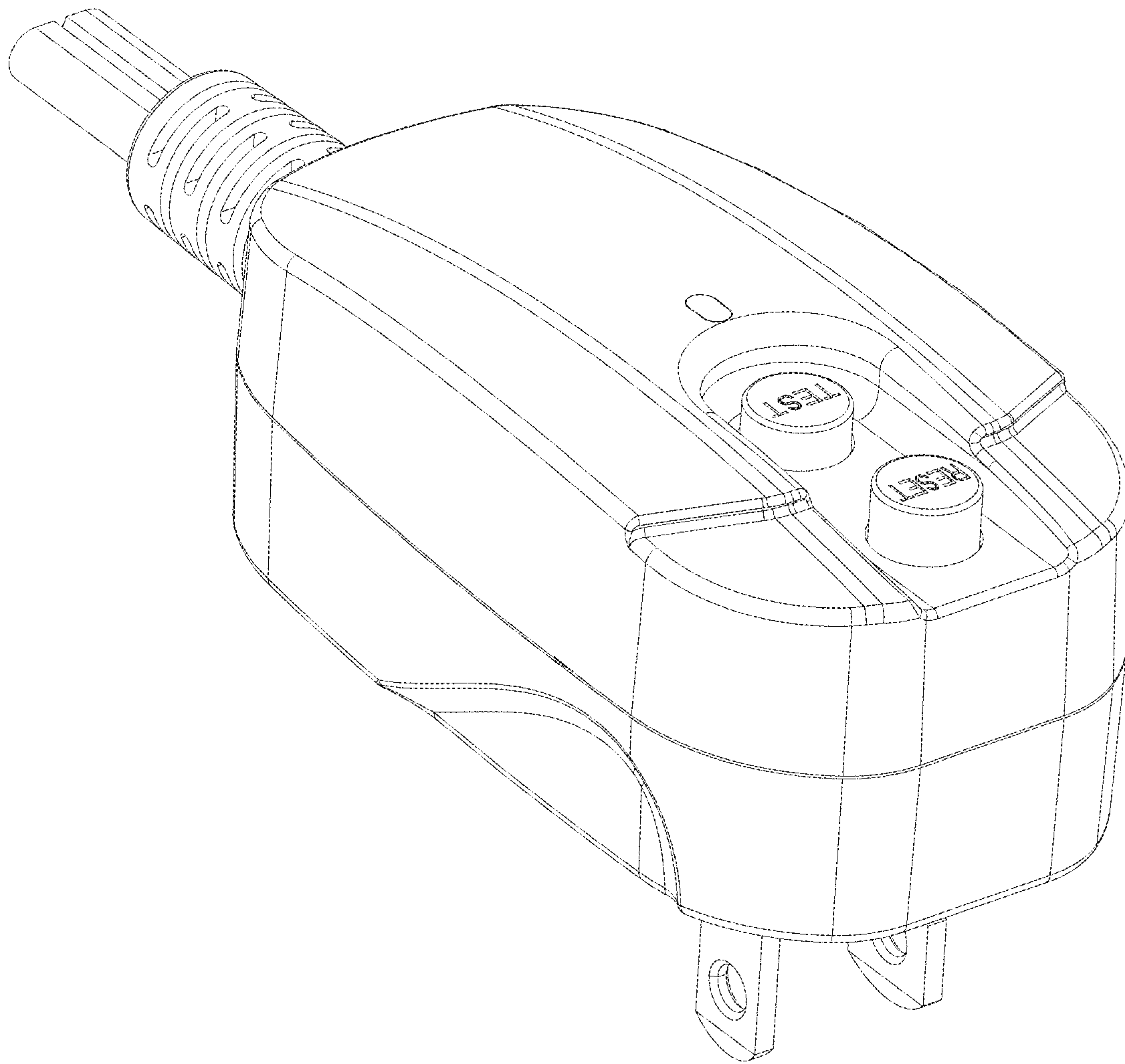


Fig. 8

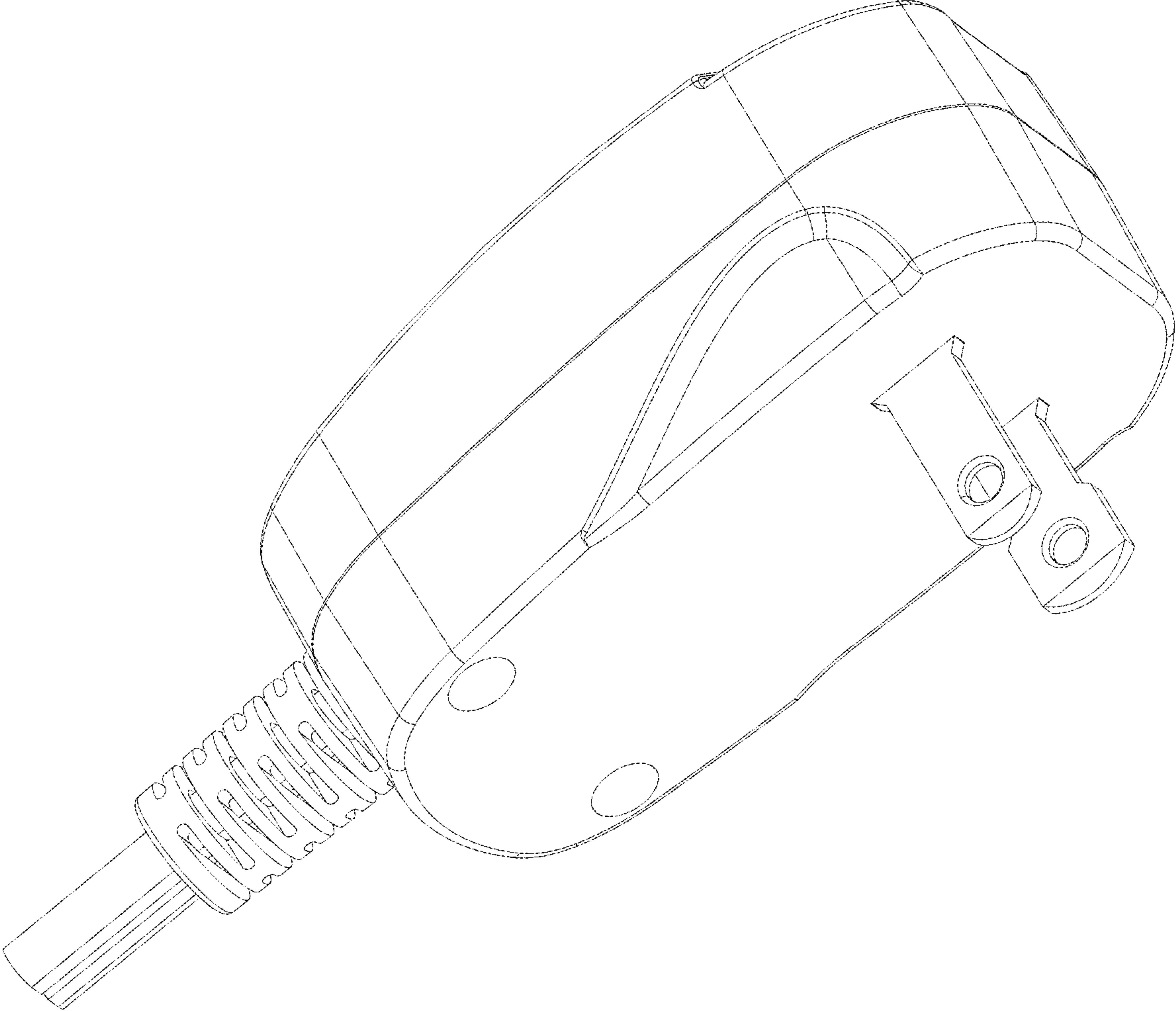


Fig. 9

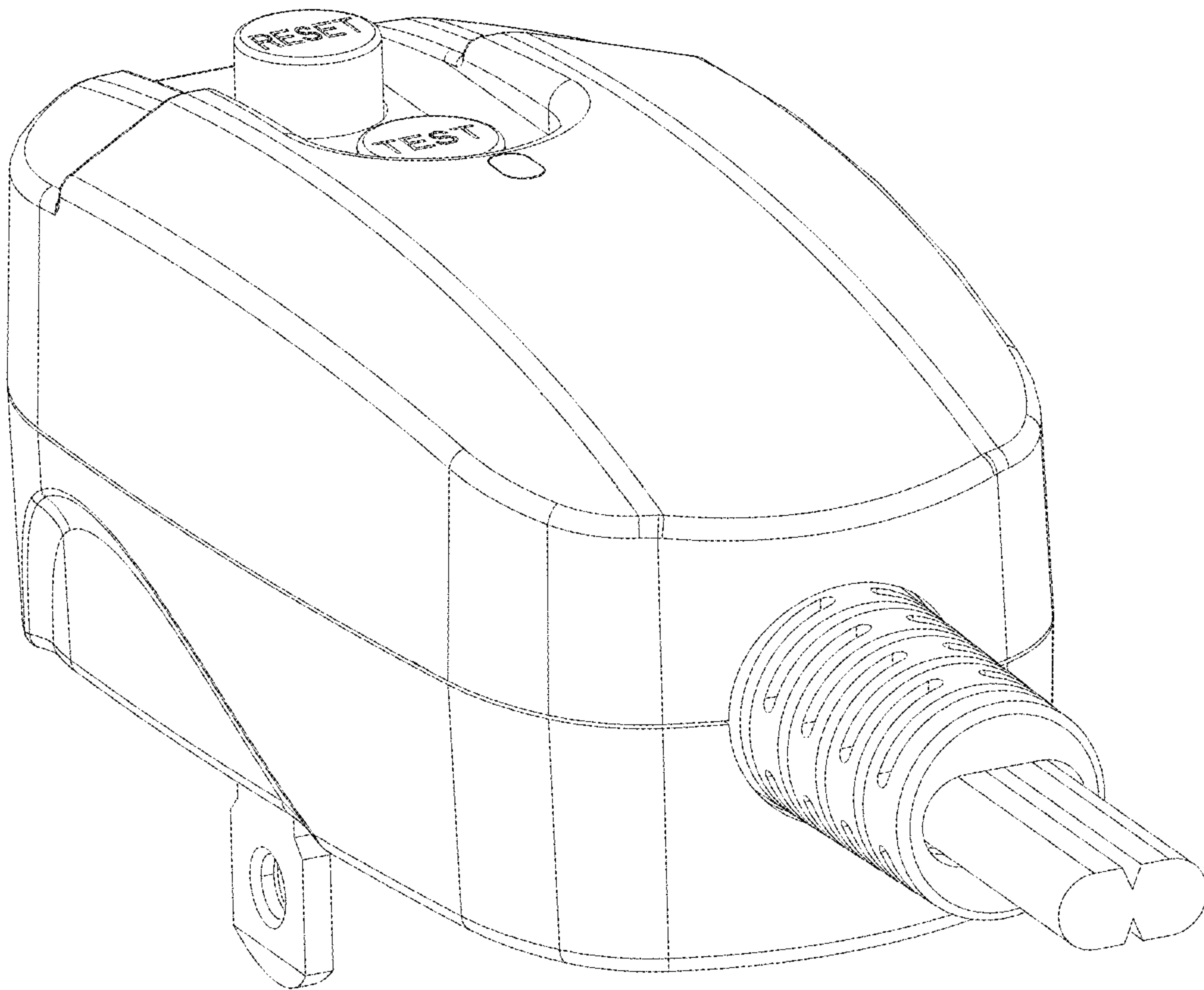


Fig. 10

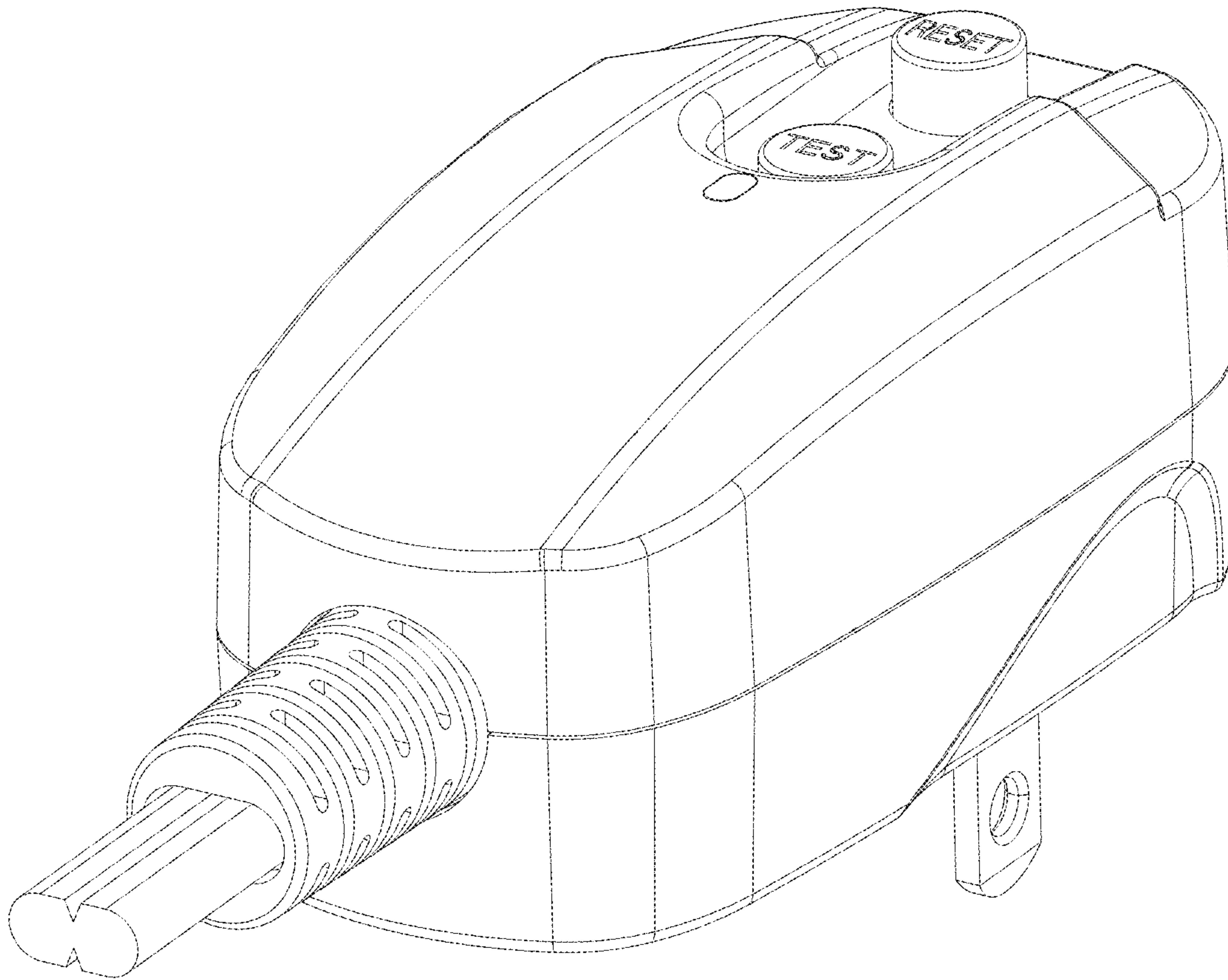


Fig. 11

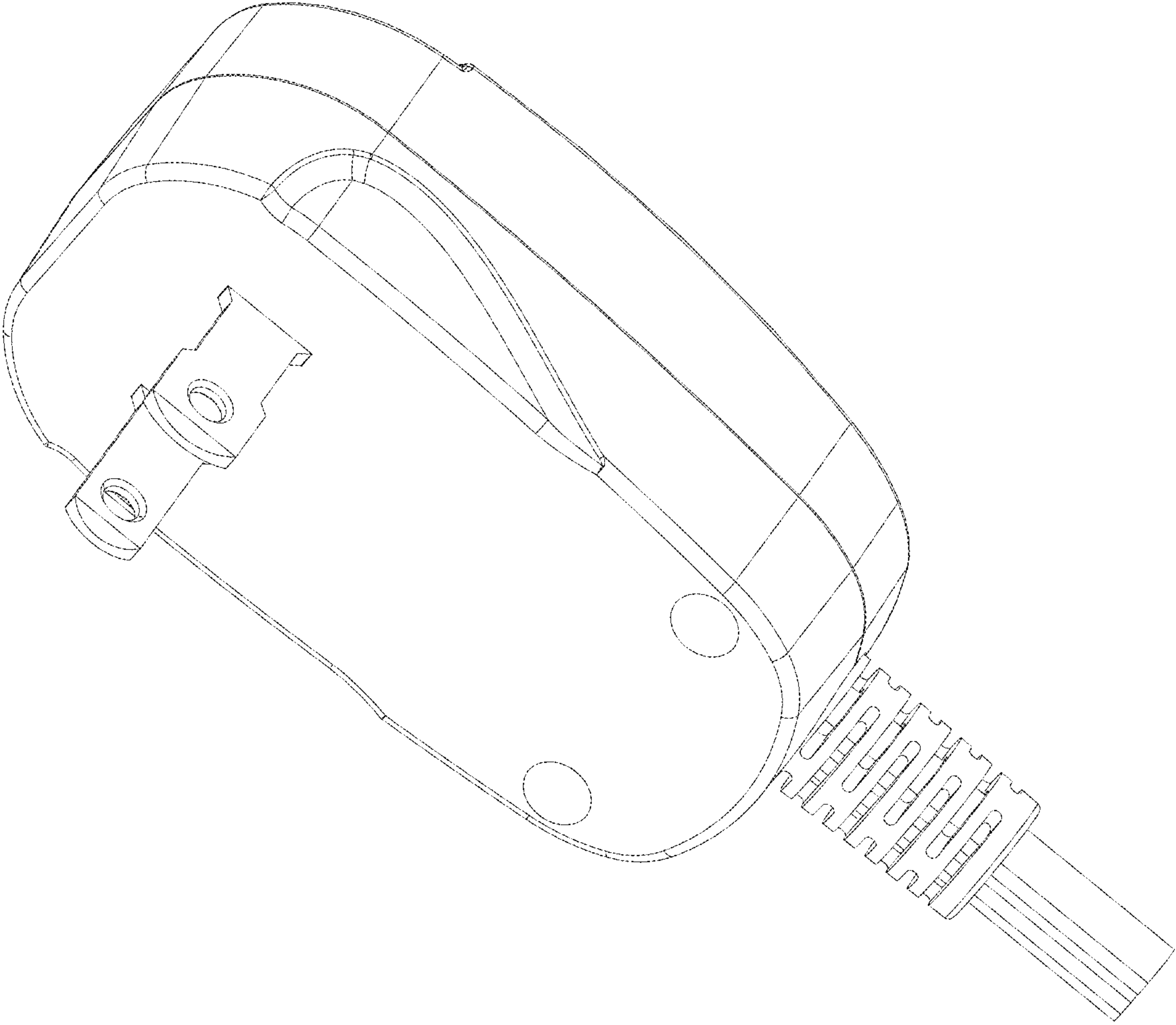


Fig. 12