



US00D929340S

(12) **United States Design Patent** (10) **Patent No.:** **US D929,340 S**  
**Zhuang et al.** (45) **Date of Patent:** **\*\* Aug. 31, 2021**

(54) **BIMETAL THERMAL PROTECTION PLATE FOR A POWER RECEPTACLE**

(71) Applicant: **Eaton Intelligent Power Limited**, Dublin (IE)  
(72) Inventors: **Alex Zhuang**, Shanghai (CN); **George Zhang**, Shanghai (CN); **Erik Jeffrey Gouhl**, Fayetteville, GA (US); **Darron Kirby Lacey**, Peachtree City, GA (US); **Tom Xiong**, Shanghai (CN)

(73) Assignee: **Eaton Intelligent Power Limited**, Dublin (IE)

(\*\*) Term: **15 Years**

(21) Appl. No.: **29/780,839**

(22) Filed: **Apr. 27, 2021**

**Related U.S. Application Data**

(62) Division of application No. 29/731,153, filed on Apr. 13, 2020, which is a division of application No. 29/689,498, filed on Apr. 30, 2019, now Pat. No. Des. 884,640, which is a division of application No. 29/593,429, filed on Feb. 8, 2017, now Pat. No. Des. 852,747.

(51) **LOC (13) Cl.** ..... **13-03**

(52) **U.S. Cl.**  
USPC ..... **D13/133; D13/154**

(58) **Field of Classification Search**  
USPC ..... D13/118–123, 133, 146, 147, 149, D13/154–156, 160, 161, 173, 178, 184, D13/199  
CPC ... H01R 4/24; H01R 4/64; H01R 4/66; H01R 9/05; H01R 13/64; H01R 13/68; H01R 24/30; H01R 27/02; H01H 5/08; H01H 9/00; H01H 50/54; H01H 61/00; H01H 37/02; H01H 37/52; H01H 37/70; H01H 71/00; H01H 71/16; H01H 71/62  
See application file for complete search history.

(56) **References Cited**

U.S. PATENT DOCUMENTS

1,641,002 A	8/1927	Kaplan
1,850,206 A	3/1932	Harry
2,136,366 A	11/1938	Martin
2,399,406 A	4/1946	Toth
2,508,637 A	5/1950	Bolesky
2,783,329 A	2/1957	Jackson
		(Continued)

OTHER PUBLICATIONS

Aperam Alloys Imphy “Thermostat Components Alloys” www.aperam.com/alloys-imphy (1 page) (Jun. 2012).  
(Continued)

*Primary Examiner* — Shawn T Gingrich  
(74) *Attorney, Agent, or Firm* — Myers Bigel, P.A.

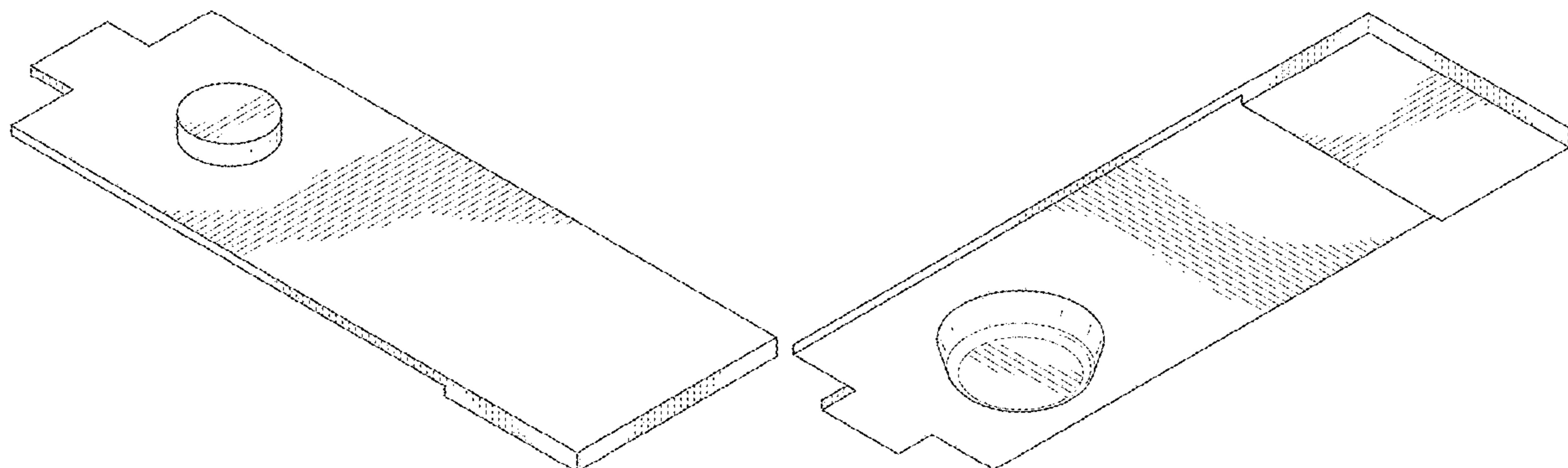
(57) **CLAIM**

The ornamental design for a bimetal thermal protection plate for a power receptacle, as shown and described.

**DESCRIPTION**

FIG. 1 is a top perspective view of a bimetal thermal protection plate for a power receptacle showing our design; FIG. 2 is a bottom perspective view thereof; FIG. 3 is a side view thereof; FIG. 4 is another side view thereof; FIG. 5 is an end view thereof; FIG. 6 is an opposing end view thereof; FIG. 7 is a top view thereof; FIG. 8 is a bottom view thereof; and, FIG. 9 is an environmental view of the bimetal thermal protection plate for a power receptacle. The broken lines shown herein are included to show portions of the article and environment that form no part of the claimed design.

**1 Claim, 5 Drawing Sheets**



(56)

**References Cited**

U.S. PATENT DOCUMENTS

3,546,650	A	12/1970	Phillip
3,601,660	A	8/1971	Brandt et al.
3,950,719	A	4/1976	Maxwell
4,286,246	A	8/1981	Jacques et al.
4,570,145	A	2/1986	Carey
4,847,587	A	7/1989	Mueller
4,931,762	A	6/1990	Fierro
5,760,672	A	6/1998	Wang
5,828,284	A	10/1998	Huang
6,166,618	A	12/2000	Robertson et al.
6,307,460	B1	10/2001	Yu
6,552,644	B2	4/2003	Yu
6,664,884	B1	12/2003	Yu
D486,791	S	2/2004	Franks
D487,427	S	3/2004	Franks
D508,676	S	8/2005	Franks
7,232,971	B2	6/2007	Chen
7,241,176	B2	7/2007	Wang
D554,066	S	10/2007	Kondas
D569,802	S	5/2008	Long et al.
7,385,473	B2	6/2008	Fabian et al.
D585,845	S	2/2009	Dennes
7,501,926	B2	3/2009	Watchorn et al.
7,514,872	B2	4/2009	Smith et al.
7,589,610	B2	9/2009	Huang
7,626,482	B2	12/2009	Huang
7,683,750	B1	3/2010	Yu

D624,027	S	9/2010	Huang et al.
D652,830	S	1/2012	Nazar
8,864,505	B2	10/2014	Chuang
D729,738	S	5/2015	Cole et al.
9,178,300	B1	11/2015	Huang
9,871,329	B1	1/2018	Lacey et al.
D818,357	S	5/2018	Cummings
D852,747	S	7/2019	Zhuang et al.
10,395,871	B1	8/2019	Salas et al.
D884,640	S	5/2020	Zhuang et al.
10,811,209	B2	10/2020	Lim et al.
2004/0055863	A1	3/2004	Huang
2004/0219823	A1	11/2004	Greene et al.
2005/0287848	A1	12/2005	Kurek et al.
2006/0072275	A1	4/2006	Yu
2006/0128232	A1	6/2006	Kim
2015/0070126	A1	3/2015	Bussa
2016/0204561	A1	7/2016	Stephens
2016/0314924	A1	10/2016	Gaudefroy et al.
2017/0117102	A1	4/2017	Johansson et al.
2018/0115146	A1	4/2018	Murahari et al.
2020/0020499	A1	1/2020	Lim et al.

OTHER PUBLICATIONS

Photographs of Two Prior Art Products—Appliance Switch and Heat Protector Products with Bimetallic Strip—External and Disassembled Views (2 pages) (date unknown, but prior to filing date of the present application).

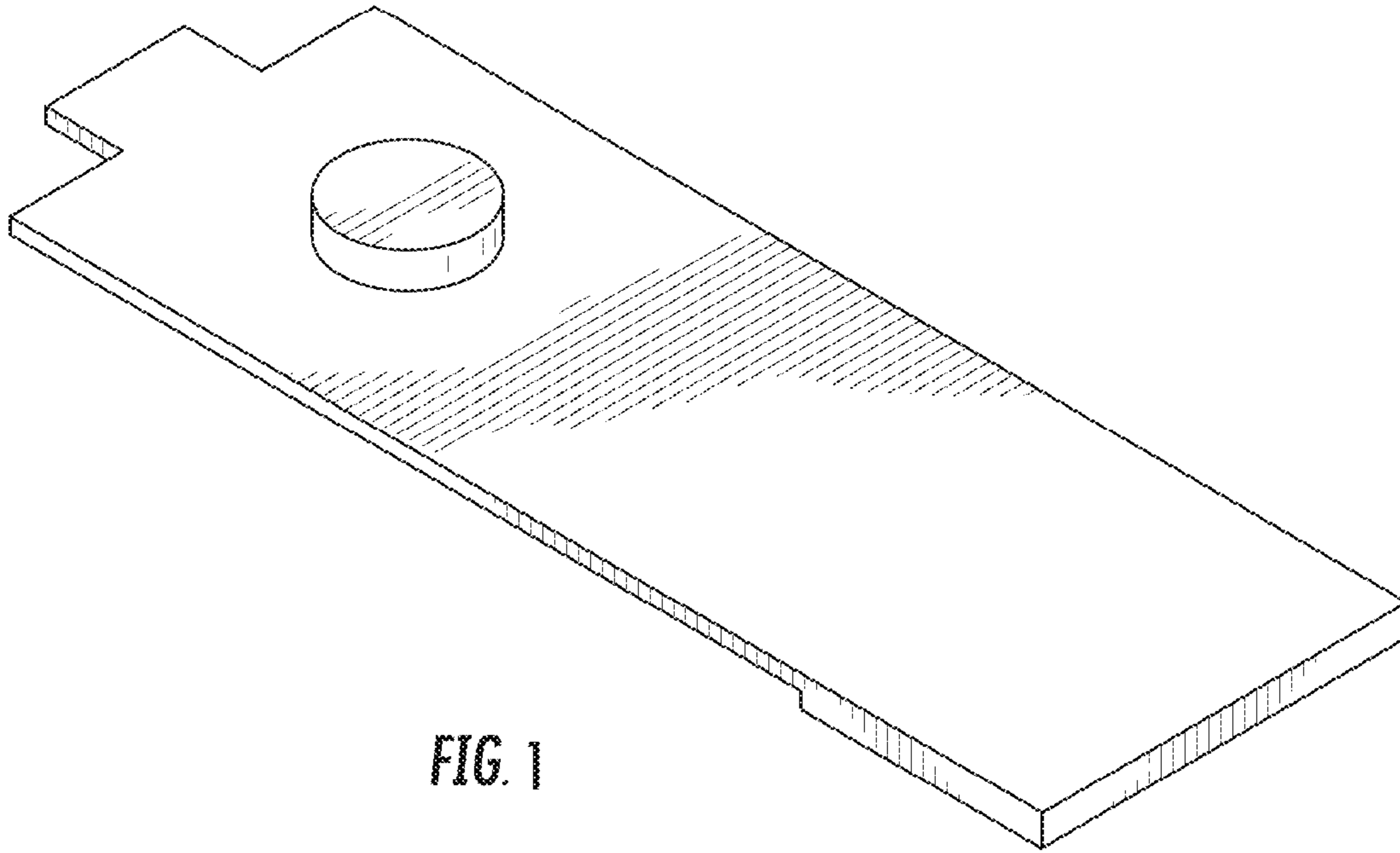


FIG. 1

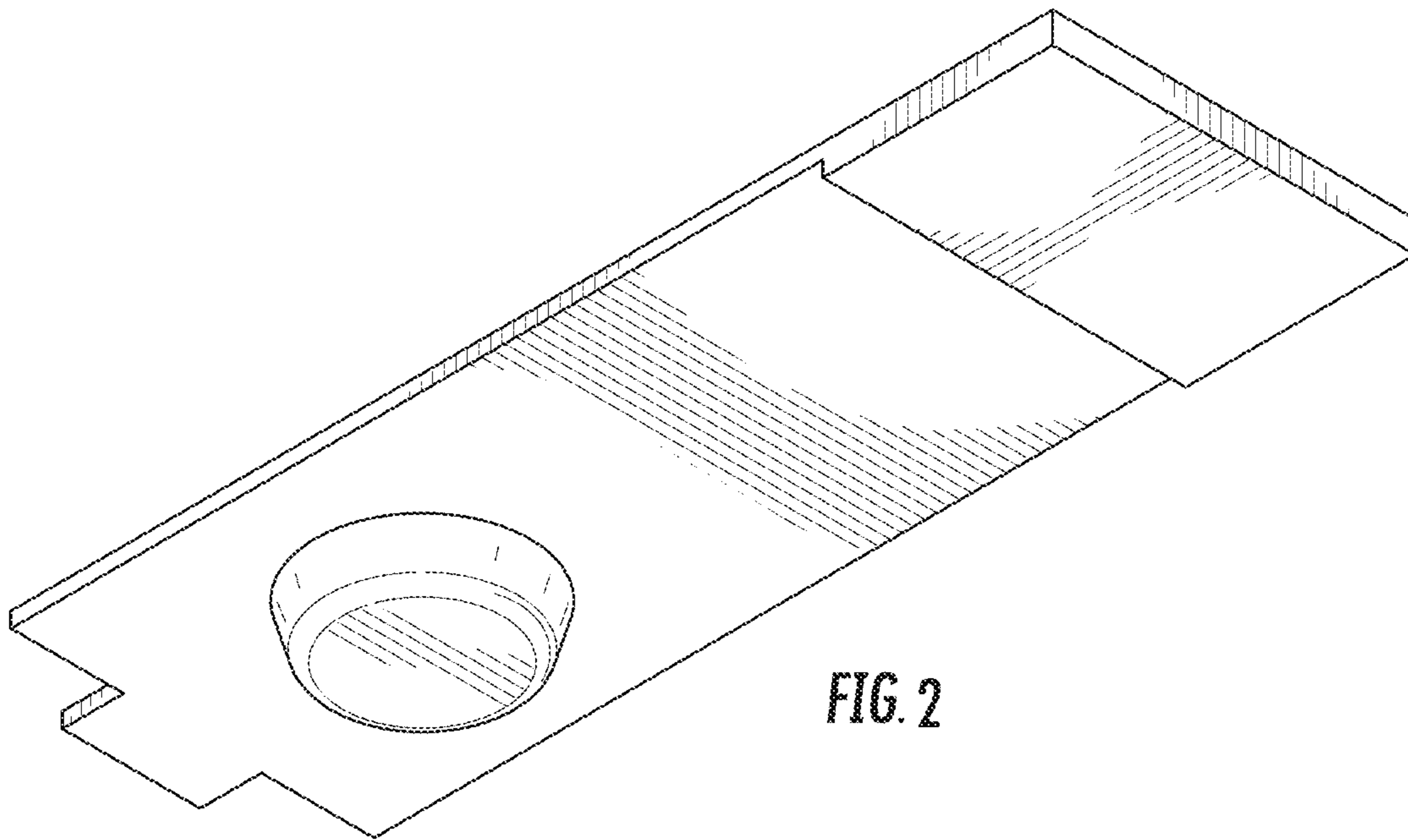


FIG. 2

2/5

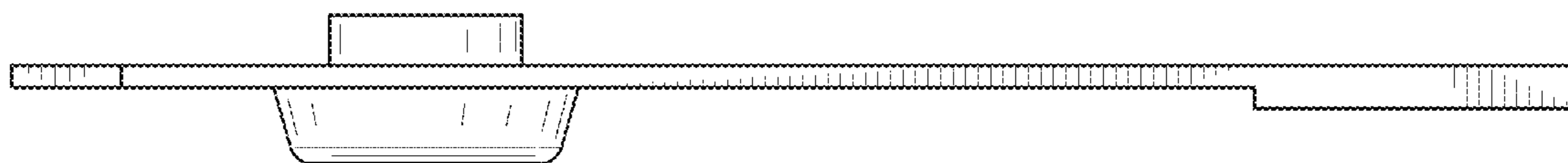


FIG. 3

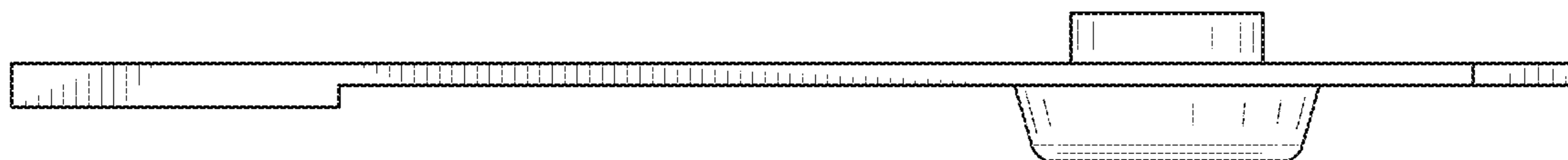


FIG. 4

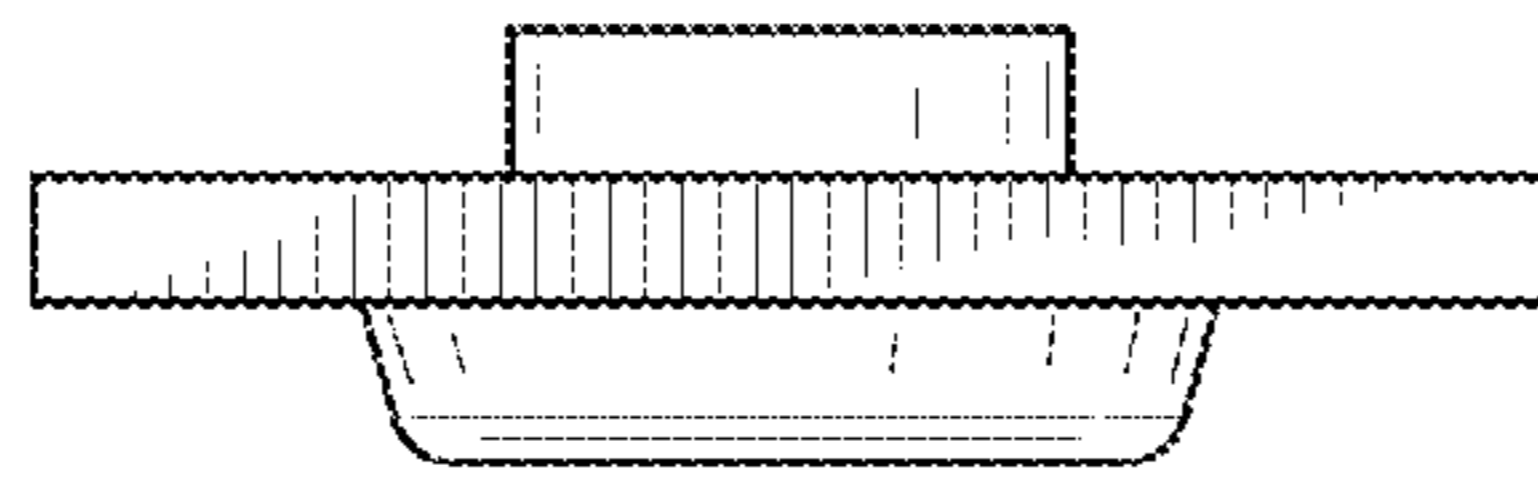


FIG. 5

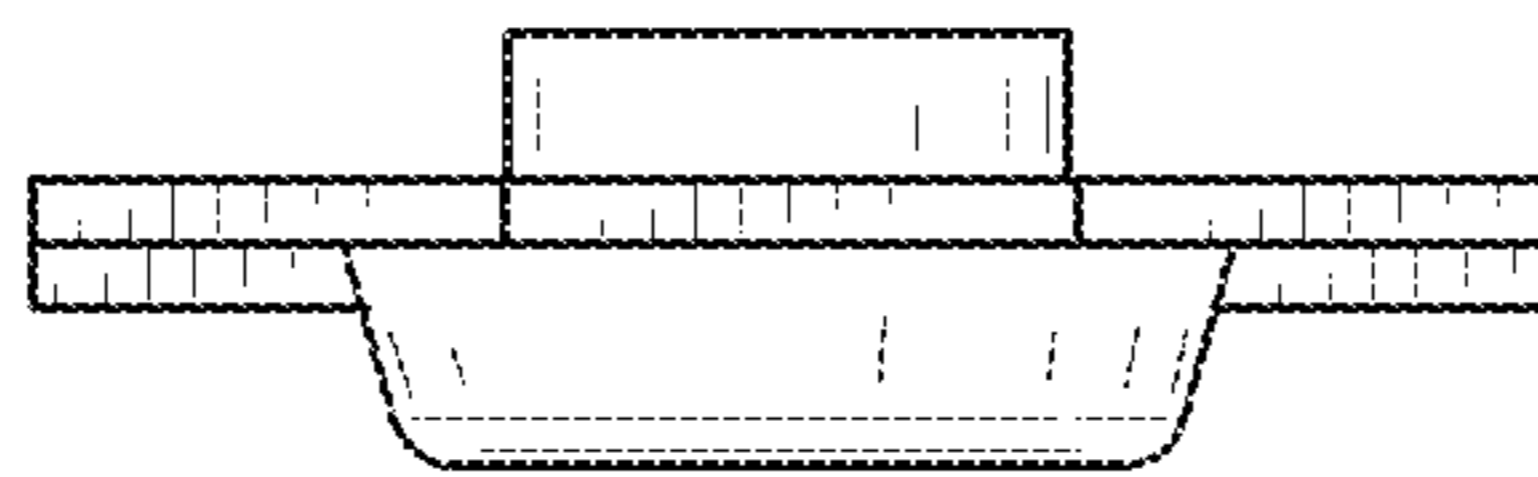
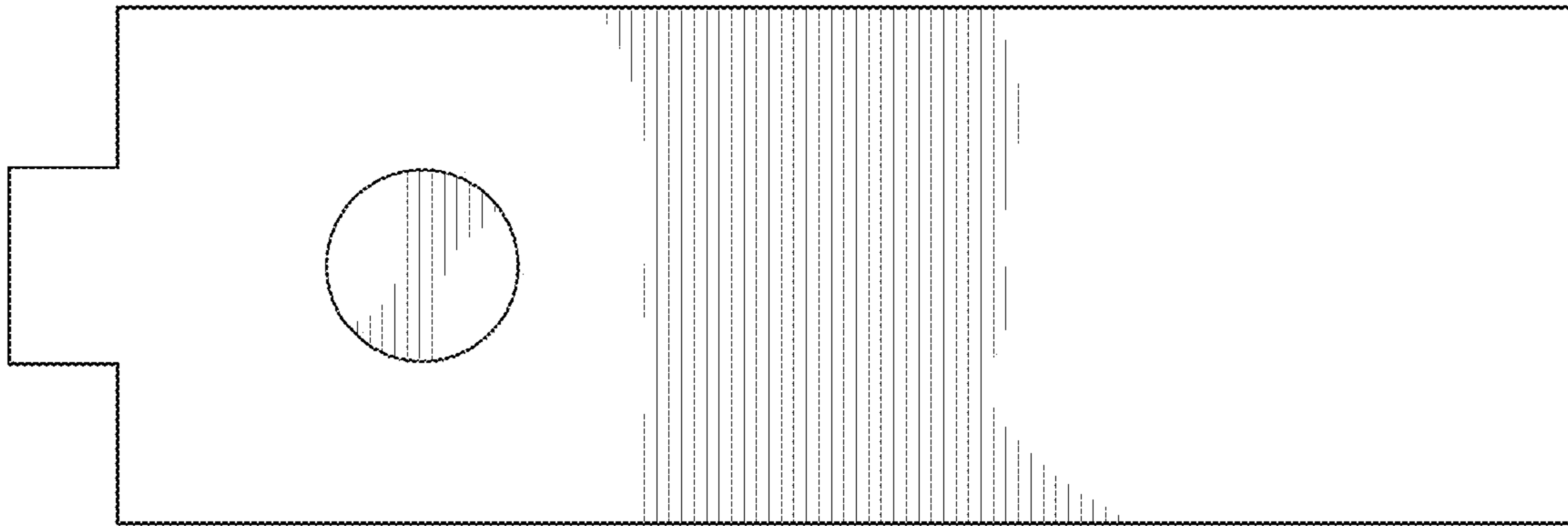
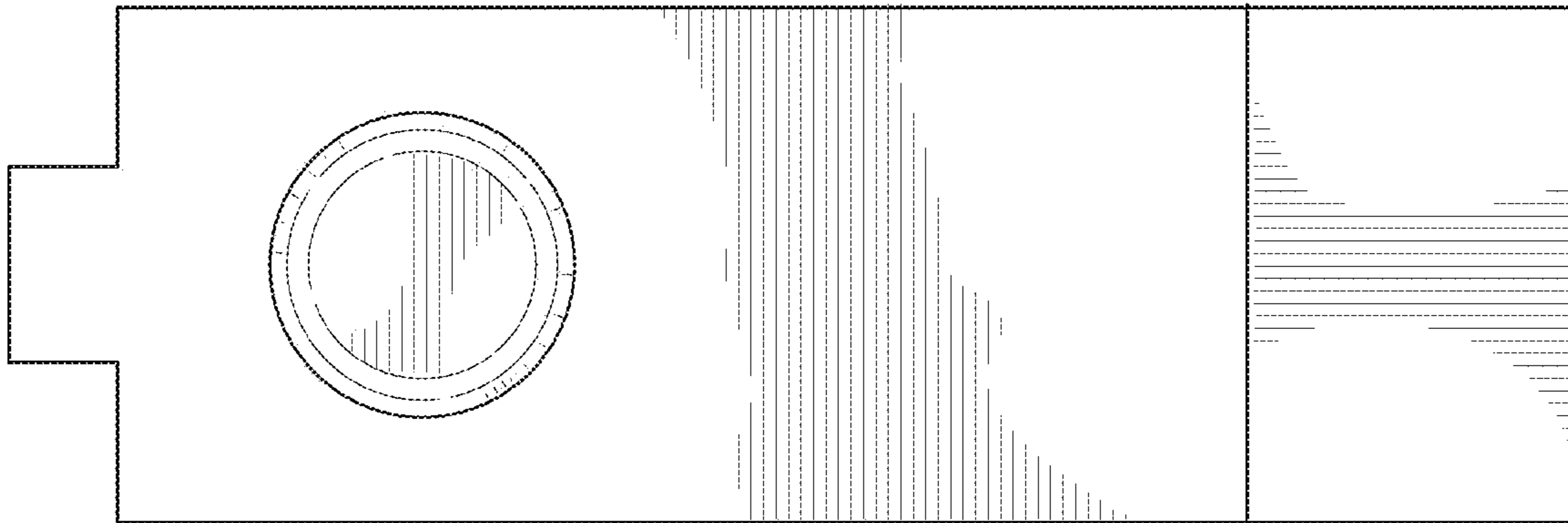


FIG. 6



*FIG. 7*



*FIG. 8*

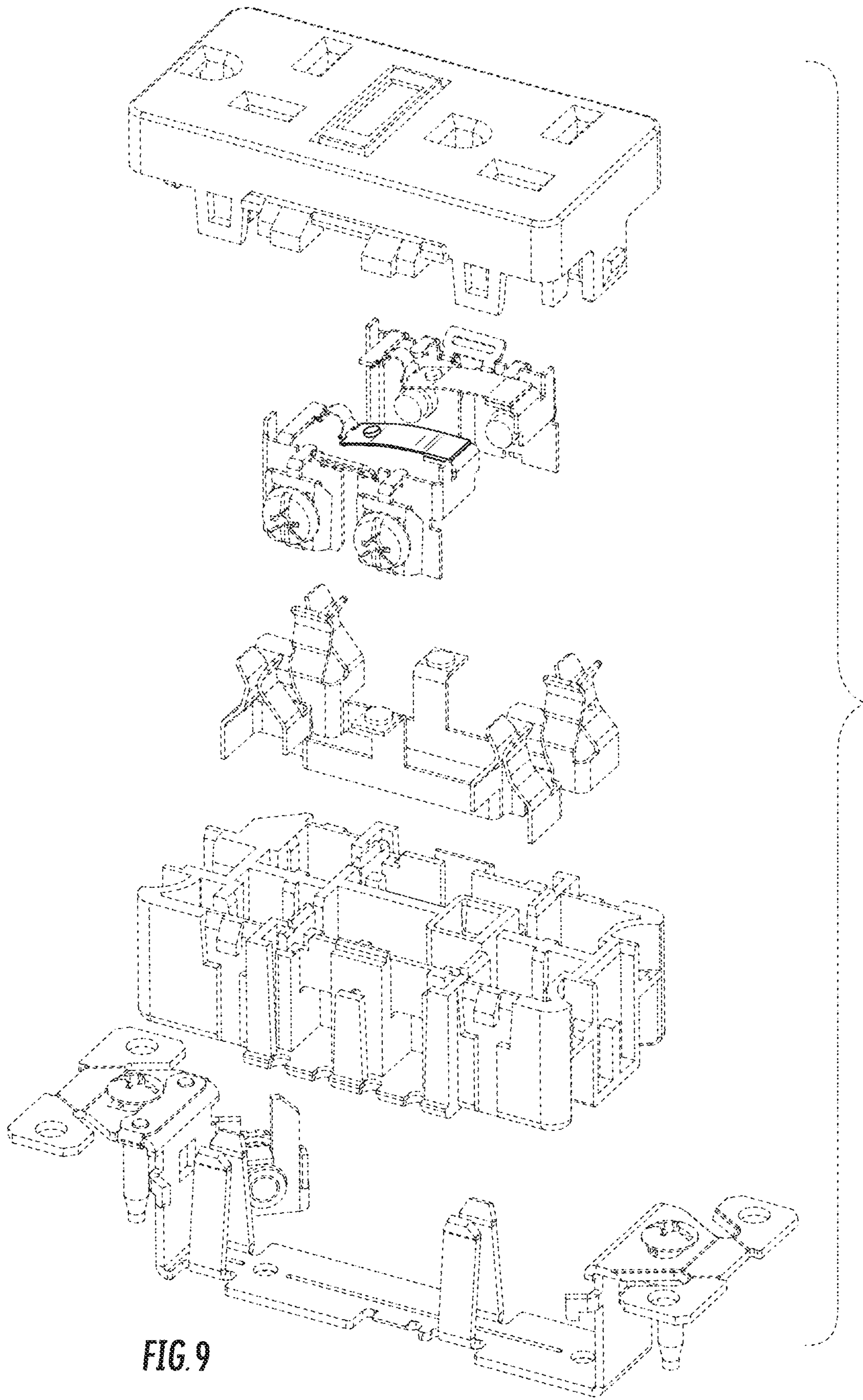


FIG. 9