



US00D929338S

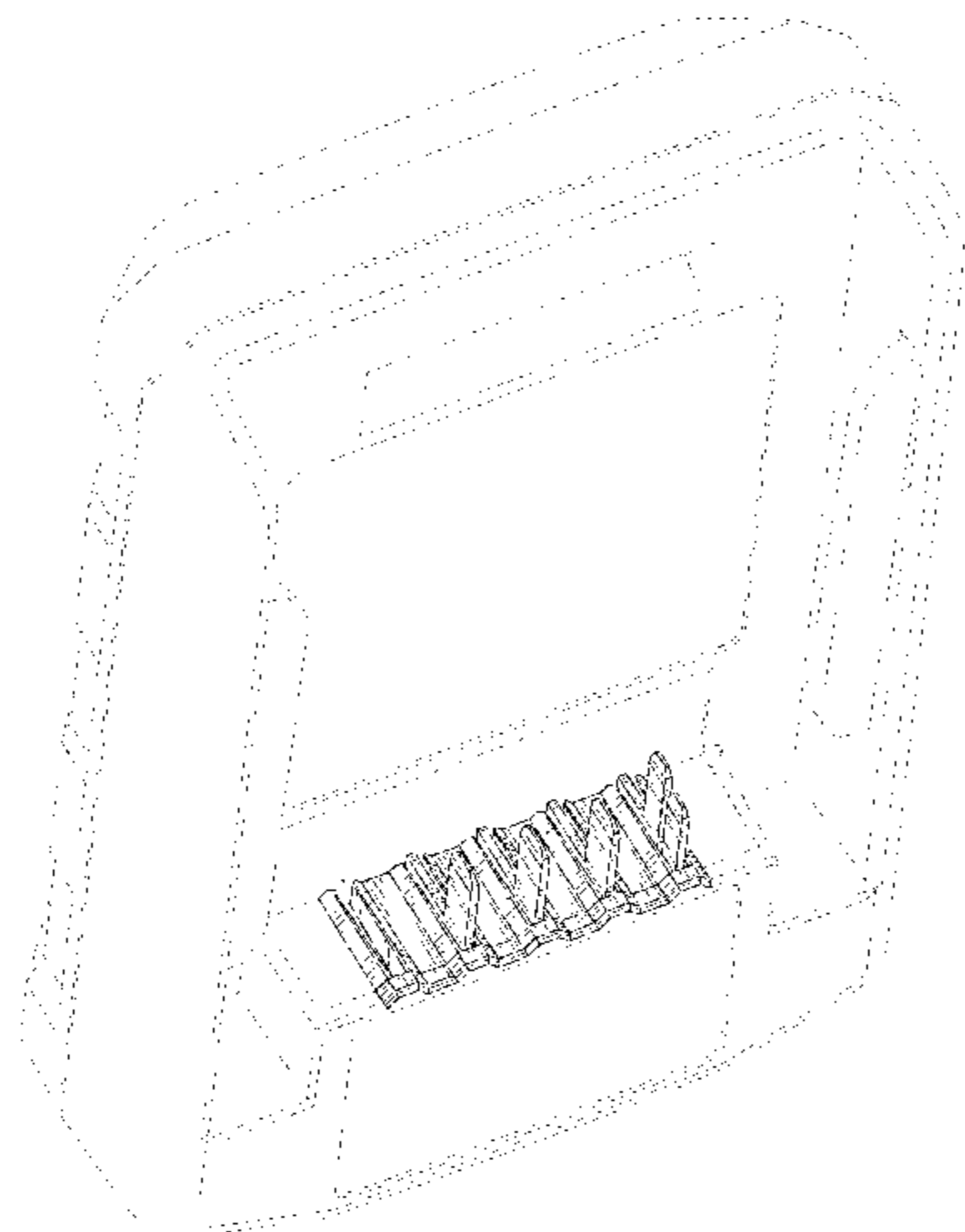
(12) **United States Design Patent** (10) **Patent No.:** **US D929,338 S**  
**Cagle** (45) **Date of Patent:** **\*\* Aug. 31, 2021**

- (54) **ELECTRICAL INTERFACE**
- (71) Applicant: **TECHTRONIC CORDLESS GP,**  
Anderson, SC (US)
- (72) Inventor: **Clint Cagle,** Easley, SC (US)
- (73) Assignee: **TECHTRONIC CORDLESS GP,**  
Anderson, SC (US)
- (\*\*) Term: **15 Years**
- (21) Appl. No.: **29/704,579**
- (22) Filed: **Sep. 5, 2019**
- (51) **LOC (13) Cl.** ..... **13-02**
- (52) **U.S. Cl.**  
USPC ..... **D13/120**
- (58) **Field of Classification Search**  
USPC ..... D13/103, 107, 108, 109, 119, 120, 121;  
D8/70  
CPC . H01M 2220/30; H01M 50/20; H01M 50/502  
See application file for complete search history.

7,157,882 B2	1/2007	Johnson et al.	
7,157,883 B2	1/2007	Johnson et al.	
7,164,257 B2	1/2007	Johnson et al.	
D537,408 S	2/2007	Aglassinger	
7,176,654 B2	2/2007	Meyer et al.	
D545,759 S	7/2007	Ino et al.	
7,262,580 B2	8/2007	Meyer et al.	
D550,152 S	9/2007	Okuda et al.	
7,321,219 B2	1/2008	Meyer et al.	
7,323,847 B2	1/2008	Meyer et al.	
7,342,381 B2	3/2008	Johnson et al.	
D584,461 S	1/2009	Sweeney	
D584,732 S	1/2009	Cho et al.	
7,492,124 B2	2/2009	Johnson et al.	
D587,695 S	3/2009	Leng et al.	
7,504,804 B2	3/2009	Johnson et al.	
7,508,167 B2	3/2009	Meyer et al.	
D596,130 S	7/2009	Chen et al.	
D597,935 S	8/2009	Aglassinger	
7,570,013 B2	8/2009	Graeber et al.	
7,667,437 B2	2/2010	Johnson et al.	
D614,569 S *	4/2010	Yang	D13/120
D615,716 S	5/2010	Tinius	
D618,172 S *	6/2010	Yang	D13/120
7,772,805 B2	8/2010	Yamamoto et al.	
D623,131 S	9/2010	Kawakami et al.	
7,791,318 B2	9/2010	Johnson et al.	
D633,036 S	2/2011	Murray	
D635,917 S	4/2011	Okuda	
D636,723 S	4/2011	Yamamoto et al.	
7,944,181 B2	5/2011	Johnson et al.	
7,952,326 B2	5/2011	Johnson et al.	
D640,196 S	6/2011	Shuang et al.	
D640,197 S	6/2011	Park et al.	
D640,975 S	7/2011	Okuda et al.	
D641,111 S	7/2011	Houghton	
D643,809 S	8/2011	Okuda et al.	
7,993,769 B2	8/2011	Tsai et al.	
8,018,198 B2	9/2011	Meyer et al.	
D647,856 S *	11/2011	Chiang	D13/146
D647,857 S *	11/2011	Huang	D13/147
D651,560 S	1/2012	Park et al.	
D652,793 S	1/2012	Tschopp	
D654,018 S	2/2012	Conley et al.	
D657,307 S	4/2012	Zhao	
D658,578 S	5/2012	Davis	
8,212,529 B2	7/2012	Yamamoto	
8,228,036 B2	7/2012	Meyer	
8,269,458 B2	9/2012	Cruise et al.	
D668,219 S	10/2012	Zhao et al.	
8,358,108 B2	1/2013	Seman, Jr. et al.	
8,378,624 B2	2/2013	Boyles et al.	
D682,194 S	5/2013	Jiang et al.	

(56) **References Cited**  
U.S. PATENT DOCUMENTS

5,477,130 A	12/1995	Ashimoto et al.	
5,508,123 A	4/1996	Fan	
5,568,039 A	10/1996	Fernandez	
5,764,028 A	6/1998	Freiman et al.	
D396,447 S	7/1998	Lloyd et al.	
D400,322 S	10/1998	Webster et al.	
5,903,137 A	5/1999	Freiman et al.	
5,945,809 A	8/1999	Inaba et al.	
5,955,867 A	9/1999	Cummings et al.	
D415,100 S	10/1999	Buck	
D463,774 S	10/2002	Buck	
D468,874 S	1/2003	Nawrozki et al.	
D469,931 S	2/2003	Nawrozki et al.	
D472,879 S *	4/2003	Ouchi	D13/147
D509,189 S	9/2005	Buck	
D511,744 S	11/2005	Hsu et al.	
D512,373 S	12/2005	Tsai et al.	
D514,060 S	1/2006	Wong et al.	
D524,728 S	7/2006	Watson	
D535,253 S	1/2007	Buck	



8,441,230	B2	5/2013	Boyles et al.	CL	201903645	7/2020
D684,528	S	6/2013	Murray	CL	201903647	7/2020
D685,730	S	7/2013	Hamm et al.	CL	201903648	7/2020
8,525,479	B2	9/2013	Meyer et al.	CN	1532988 A	9/2004
8,741,461	B2	6/2014	Yoneda et al.	CN	1870346 A	11/2006
8,803,481	B2	8/2014	Tachikawa et al.	CN	1897399 A	1/2007
D714,721	S	10/2014	Zhang	CN	1909325 A	2/2007
8,933,667	B2	1/2015	Park et al.	CN	101017984 A	8/2007
D735,960	S	8/2015	Zhang	CN	101043149 A	9/2007
9,118,189	B2	8/2015	Meyer et al.	CN	101399386 A	4/2009
D748,877	S	2/2016	Tirone et al.	CN	101716762 A	6/2010
9,331,365	B2	5/2016	Cruise et al.	CN	102035054 A	4/2011
D767,487	S	9/2016	Huang	CN	102055246 A	5/2011
D770,377	S	11/2016	Kondo	CN	103135062 A	6/2013
D782,980	S *	4/2017	Zhang ..... D13/147	CN	103390917 A	11/2013
D784,261	S *	4/2017	Rowe ..... D13/119	CN	103580087 A	2/2014
9,673,648	B2	6/2017	Johnson et al.	CN	203434607 U	2/2014
9,680,325	B2	6/2017	Johnson et al.	CN	103730699 A	4/2014
D801,917	S	11/2017	Jiang	CN	104901354 A	9/2015
D801,920	S	11/2017	Yoon	CN	105322611 A	2/2016
9,859,548	B2	1/2018	Cruise et al.	CN	105449790 A	3/2016
9,893,384	B2	2/2018	Velderman et al.	CN	105453375 A	3/2016
D811,999	S	3/2018	Nommensen et al.	CN	105648962 A	6/2016
D818,948	S	5/2018	Waldron	CN	106160067 A	11/2016
9,966,772	B2	5/2018	Uesugi	CN	106786964 A	5/2017
D819,562	S	6/2018	Waldron	CN	107732329 A	2/2018
10,008,864	B2	6/2018	Meyer et al.	CN	107919690 A	4/2018
D831,566	S *	10/2018	Nommensen ..... D13/107	CN	207910511 U	9/2018
10,124,455	B2	11/2018	Ito et al.	CN	109066940 A	12/2018
D836,552	S *	12/2018	Crowe ..... D13/119	CN	109120037 A	1/2019
D840,926	S *	2/2019	Howell ..... D13/107	CN	208316322 U	1/2019
D849,681	S	5/2019	Howell	DE	102014205116 A1	9/2015
D850,364	S *	6/2019	Constin ..... D13/103	EM	004104453	10/2017
D853,319	S	7/2019	Nommensen et al.	EM	004663953	9/2018
D855,019	S	7/2019	Rustill	EM	004682623	12/2018
D887,969	S	6/2020	Howell	EP	2083495 B1	7/2009
10,686,319	B2	6/2020	Wohltmann et al.	WO	2018028639 A1	2/2018
D890,692	S	7/2020	Elder	WO	2018143562 A1	8/2018
D892,586	S *	8/2020	Matteo ..... D8/70			
D893,413	S	8/2020	Grulke			
D894,118	S	8/2020	Liu et al.			
D894,827	S	9/2020	Watson			
D907,576	S	1/2021	Cayon et al.			
D908,083	S	1/2021	Kuang et al.			
D911,267	S	2/2021	Matteo			
D912,487	S	3/2021	Chandrasekharan et al.			
D913,231	S	3/2021	Zugen et al.			
10,938,079	B2	3/2021	Beyerl et al.			
2004/0087196	A1	5/2004	Lang et al.			
2004/0106036	A1	6/2004	Geis et al.			
2007/0285055	A1	12/2007	Meyer et al.			
2009/0184685	A1	7/2009	Sim et al.			
2011/0169457	A1	7/2011	Mitani et al.			
2011/0181243	A1	7/2011	Mabuchi et al.			
2012/0276776	A1	11/2012	Becker et al.			
2013/0069594	A1	3/2013	Jung			
2013/0089764	A1	4/2013	Melnyk et al.			
2013/0106363	A1	5/2013	Seman, Jr. et al.			
2013/0330576	A1	12/2013	Kolden et al.			
2014/0106195	A1	4/2014	Milbourne et al.			
2014/0306660	A1	10/2014	Suzuki et al.			
2015/0061549	A1	3/2015	Shima			
2015/0115875	A1	4/2015	Oomiya et al.			
2015/0340887	A1	11/2015	Meyer et al.			
2016/0072106	A1	3/2016	Baumgartner et al.			
2016/0195097	A1	7/2016	Patrick			
2017/0222454	A1	8/2017	Bakker			
2017/0271893	A1	9/2017	Brozek			
2018/0140146	A1	5/2018	Zhu et al.			
2018/0309304	A1	10/2018	Meyer et al.			
2019/0061652	A1	2/2019	Yeom et al.			
2019/0067957	A1	2/2019	Yeom			
2019/0089168	A1	3/2019	Yeom			
2021/0083237	A1	3/2021	Cherry et al.			

OTHER PUBLICATIONS

Energup, “Bateria de litio (Energup),” <amazon.com> Chilean examination report alleges a publication date of Sep. 21, 2018 (1 page).

Greenworks, “Greenworks 29842 24V,” <amazon.com> Chilean examination report alleges a publication date of Jun. 29, 2016 (1 page).

Makita, “DC18RC—Cargador de bateria Makita,” <amazon.com> Chilean examination report alleges a publication date of Jun. 6, 2018 (1 page).

Ridgid, “Ridgid 105 MPH Cordless GEN5X 18-Volt Jobsite Handheld Blower,” <https://www.amazon.com/RIDGID-Cordless-18-Volt-Jobsite-Handheld/dp/B078ZRG57H> Chilean examination report alleges a publication date of Aug. 15, 2018.

Ryobi, “18 Volt One+ Blower,” Operator’s Manual, Revision 05, Mar. 22, 2019 (26 pages).

Ryobi, “40V Lithium Ion Battery Charger,” Operator’s Manual, Revision 02, Aug. 23, 2019 (16 pages).

Ryobi, “Ryobi 1004-040-931,” <amazon.com> Chilean examination report alleges a publication date of Jun. 4, 2019 (1 page).

Ryobi, “Ryobi ry24602,” <amazon.com> Chilean examination report alleges a publication date of Sep. 23, 2015 (1 page).

Vanon, “2Pack 6000mAh High Capacity (Vanon),” <amazon.com> Chilean examination report alleges a publication date of Mar. 25, 2019 (1 page).

Libater, “Battery 40V Max 5.0Ah,” <amazon.com> Chilean examination report alleges a publication date of May 19, 2019 (1 page).

Examination Report issued by the Chilean Patent Office for Application No. 2020-000515 dated Nov. 19, 2020 (18 pages including statement of relevance).

Examination Report issued by the Chilean Patent Office for Application No. 2020-000516 dated Mar. 18, 2021 (19 pages including statement of relevance).

LiBatter, “LiBatter40V 5.0 Ah Replacement Battery DCB404 DCB406 DCB407 DCB114, Lithium Ion Premium Battery Compatible with

FOREIGN PATENT DOCUMENTS

AU	2019100756	A4	8/2019
CA	3090555	A1	8/2019

Dewalt All 40V Max Tools,” <<https://www.amazon.com/LiBatter-Lithium-Premium-Battery-Compatible/dp/B07RPLWRH5>> date first available: May 2019.

\* cited by examiner

*Primary Examiner* — Jennifer O King  
(74) *Attorney, Agent, or Firm* — Michael Best & Friedrich LLP

(57) **CLAIM**

I claim the ornamental design for an electrical interface, as shown and described.

**DESCRIPTION**

FIG. 1 is a left front bottom perspective view of an electrical interface.

FIG. 2 is a right front bottom perspective view of the electrical interface shown in FIG. 1.

FIG. 3 is a right rear bottom perspective view of the electrical interface shown in FIG. 1.

FIG. 4 is a left rear bottom perspective view of the electrical interface shown in FIG. 1.

FIG. 5 is a front view of the electrical interface shown in FIG. 1.

FIG. 6 is a bottom view of the electrical interface shown in FIG. 1.

FIG. 7 is a left front top perspective view of an electrical charger.

FIG. 8 is a left front bottom perspective view of the electrical charger shown in FIG. 7.

FIG. 9 is a right front bottom perspective view of the electrical charger shown in FIG. 7.

FIG. 10 is a right rear bottom perspective view of the electrical charger shown in FIG. 7.

FIG. 11 is a left rear bottom perspective view of the electrical charger shown in FIG. 7.

FIG. 12 is a left side view of the electrical charger shown in FIG. 7.

FIG. 13 is a right side view of the electrical charger shown in FIG. 7.

FIG. 14 is a rear view of the electrical charger shown in FIG. 7.

FIG. 15 is a front view of the electrical charger shown in FIG. 7.

FIG. 16 is a top view of the electrical charger shown in FIG. 7.

FIG. 17 is a bottom view of the electrical charger shown in FIG. 7.

FIG. 18 is a left front top perspective view of the electrical charger.

FIG. 19 is a left front bottom perspective view of the electrical charger shown in FIG. 18.

FIG. 20 is a right front bottom perspective view of the electrical charger shown in FIG. 18.

FIG. 21 is a right rear bottom perspective view of the electrical charger shown in FIG. 18.

FIG. 22 is a left rear bottom perspective view of the electrical charger shown in FIG. 18.

FIG. 23 is a left side view of the electrical charger shown in FIG. 18.

FIG. 24 is a right side view of the electrical charger shown in FIG. 18.

FIG. 25 is a rear view of the electrical charger shown in FIG. 18.

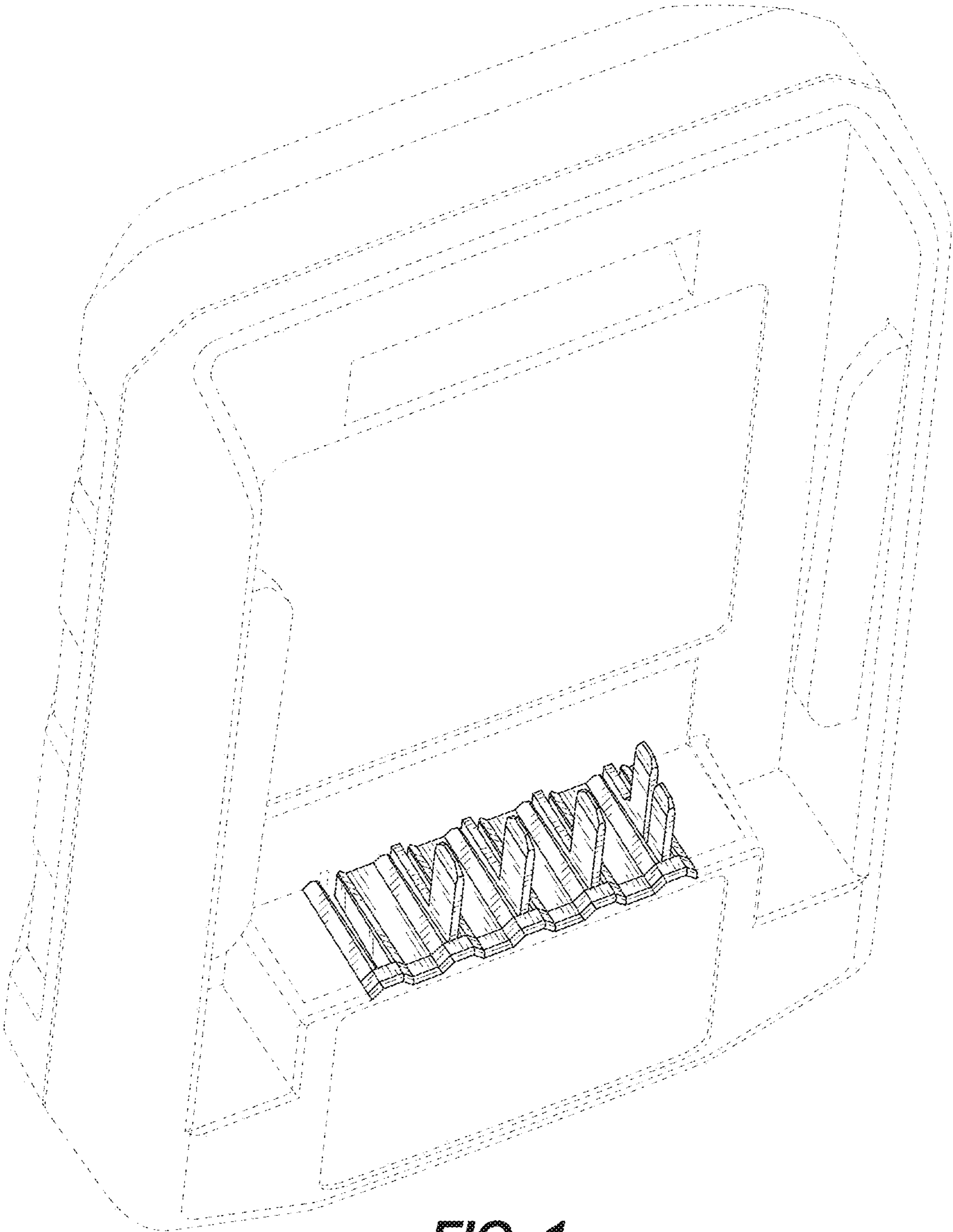
FIG. 26 is a front view of the electrical charger shown in FIG. 18.

FIG. 27 is a top view of the electrical charger shown in FIG. 18; and,

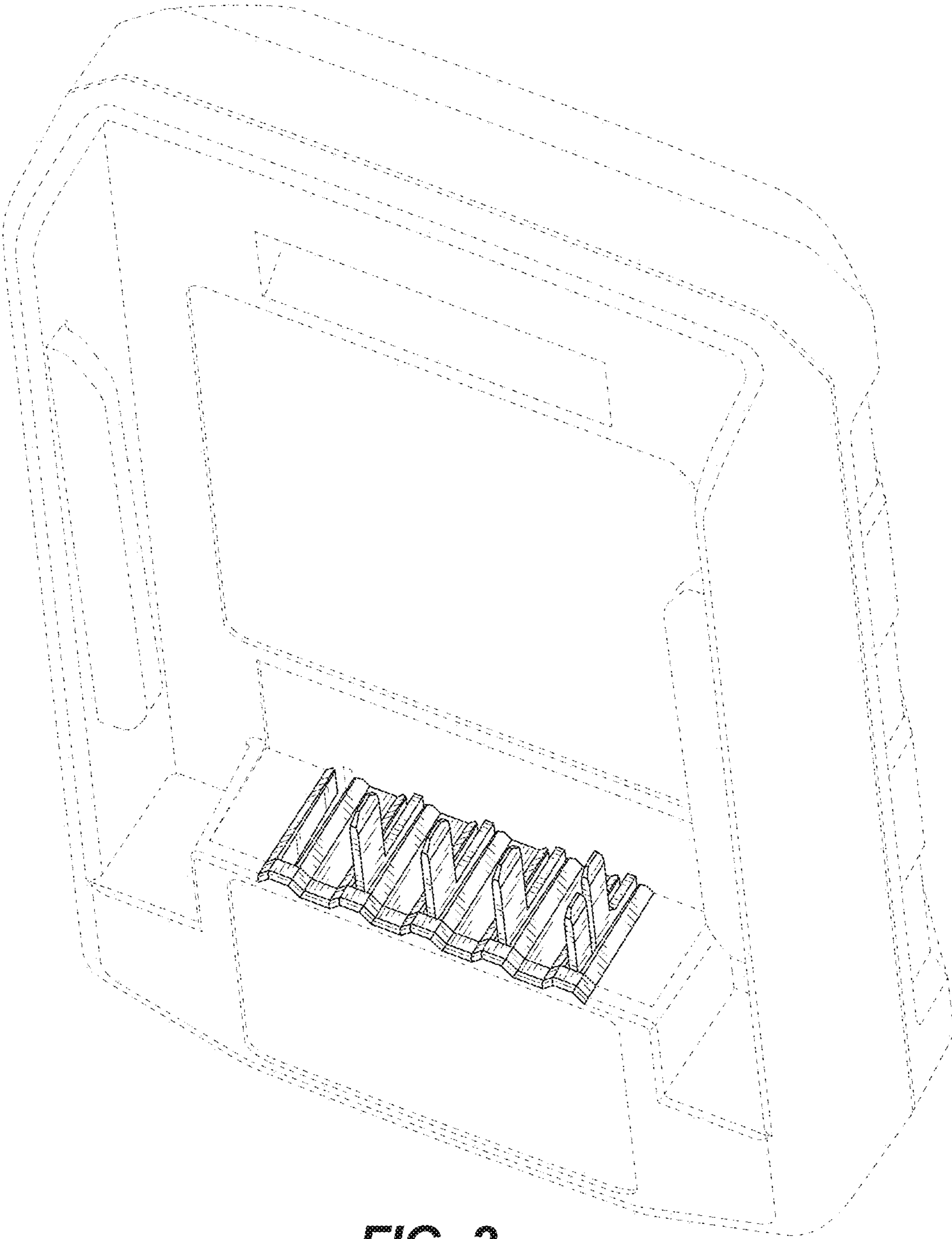
FIG. 28 is a bottom view of the electrical charger shown in FIG. 18.

The evenly spaced broken lines represent portions of the electrical interface that form no part of the claimed design. With respect to FIGS. 1-6, the claimed electrical interface is not visible in the orthogonal right side, orthogonal left side, and orthogonal top views, which are therefore omitted.

**1 Claim, 24 Drawing Sheets**



**FIG. 1**



**FIG. 2**

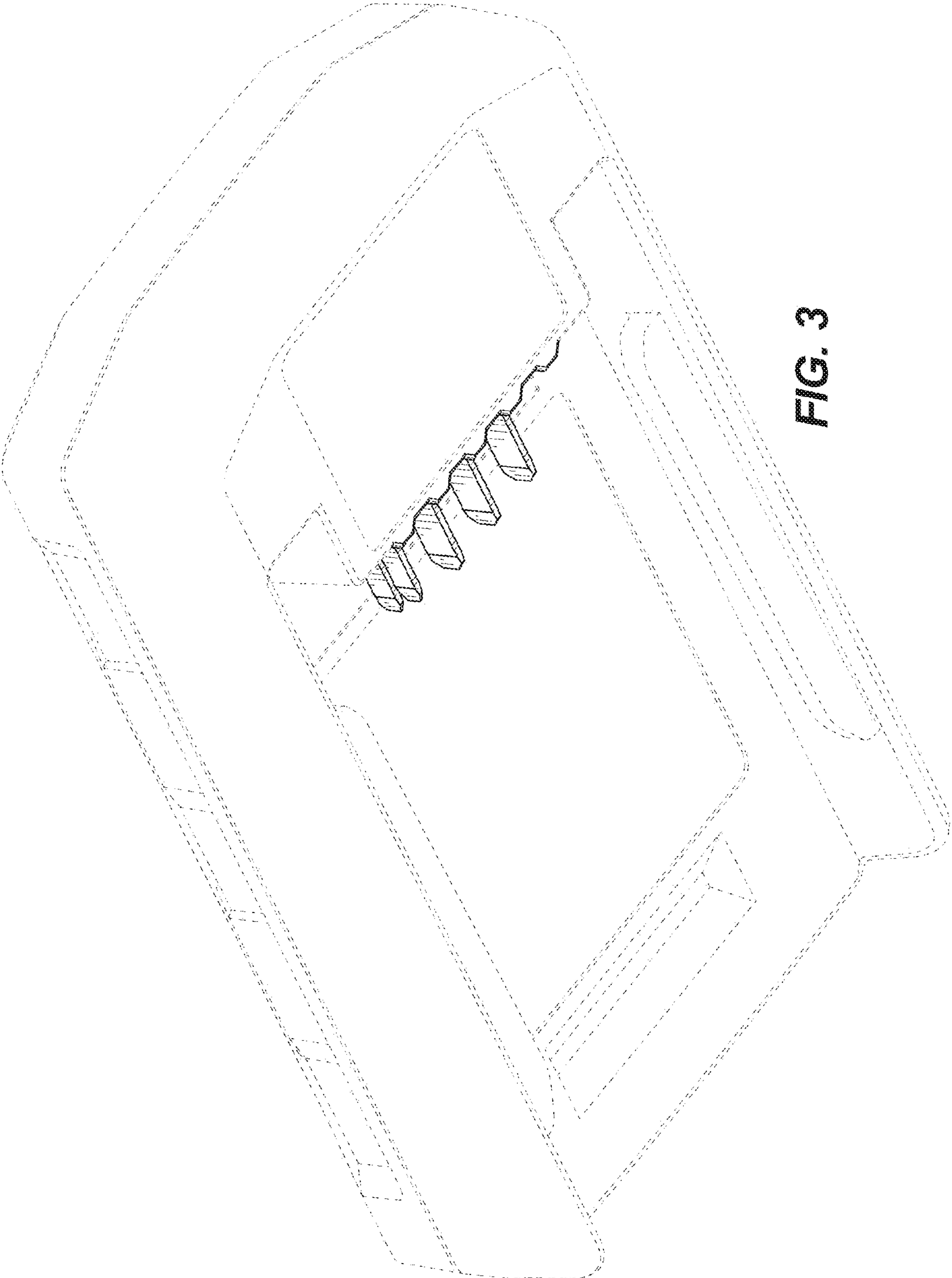


FIG. 3

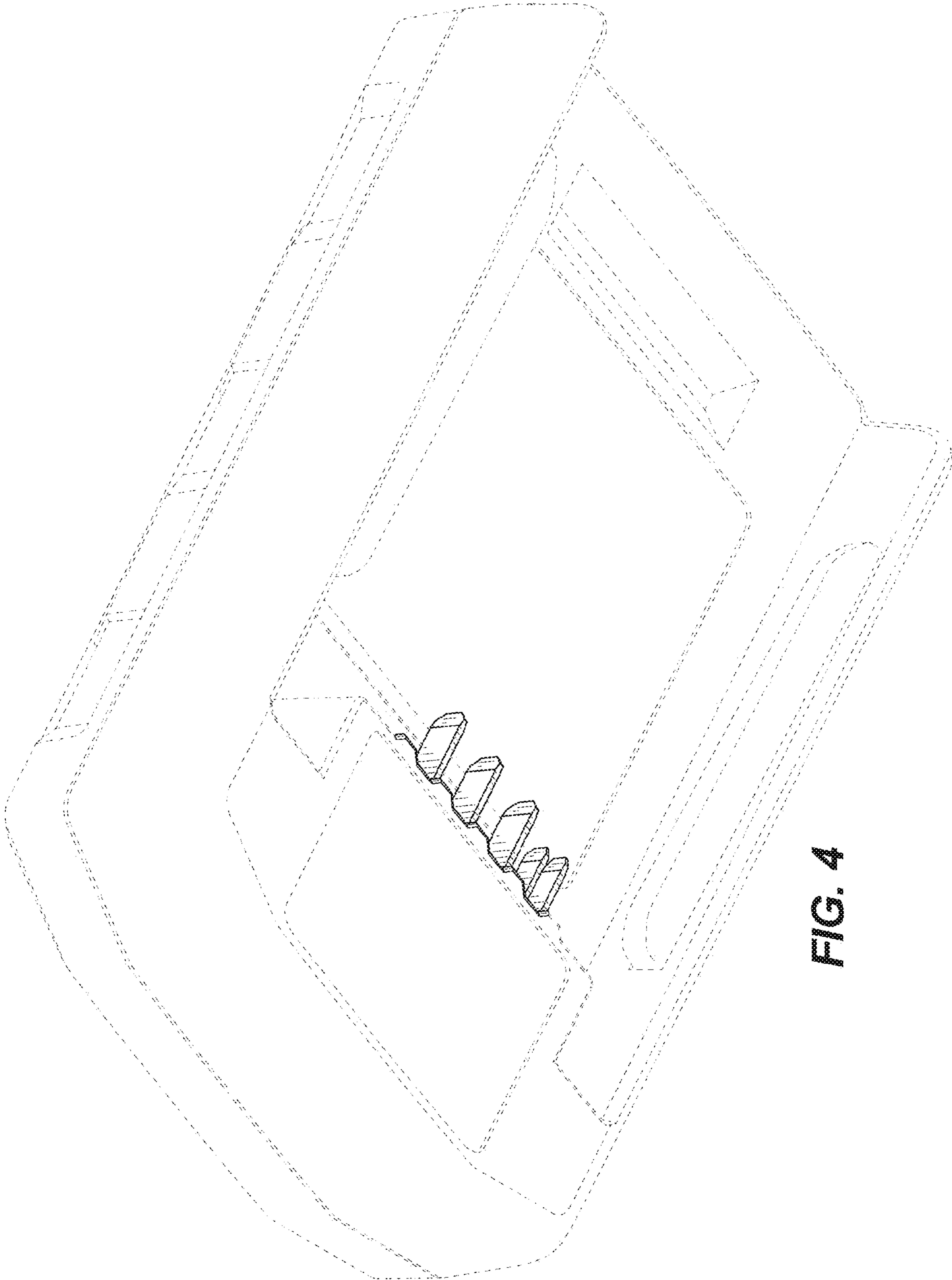
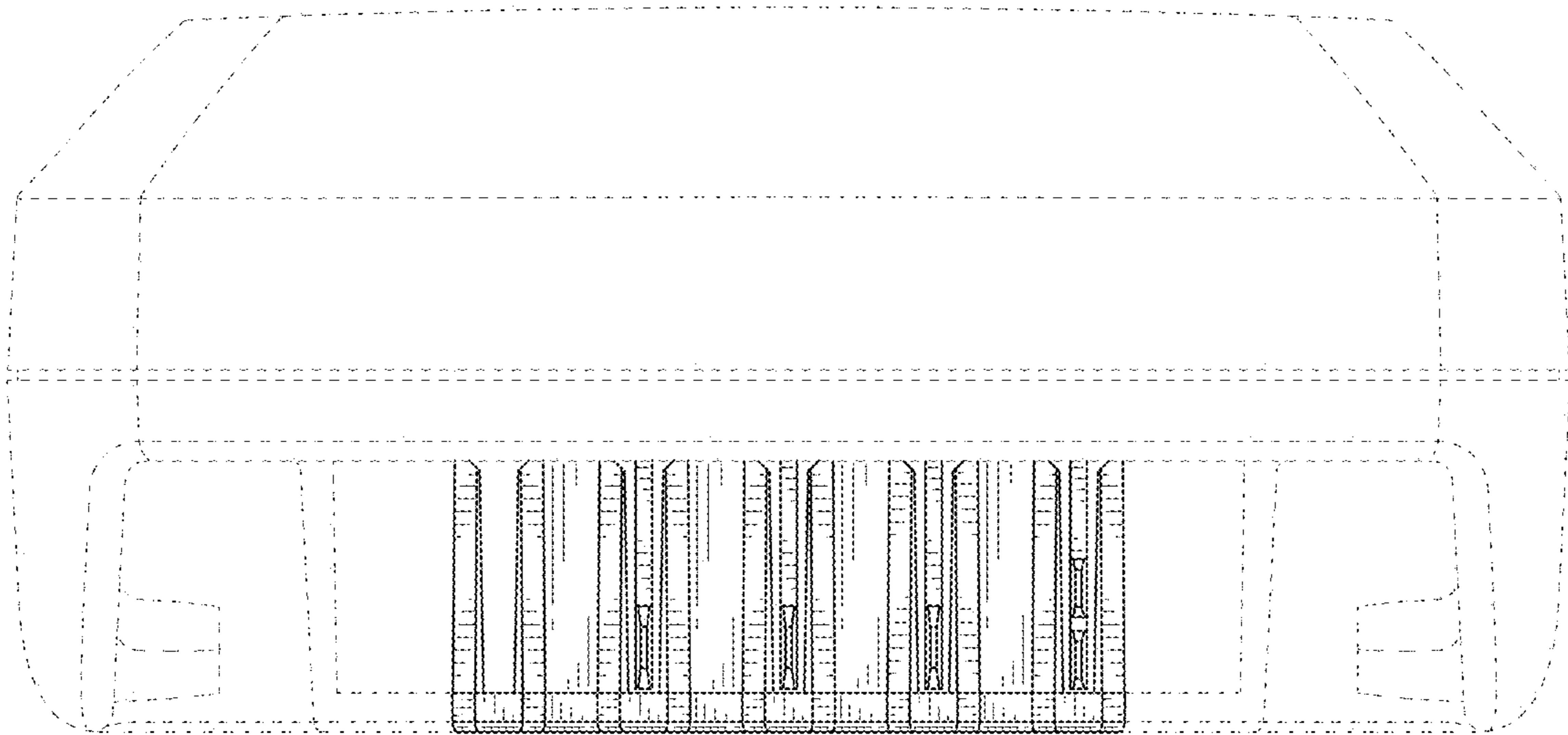
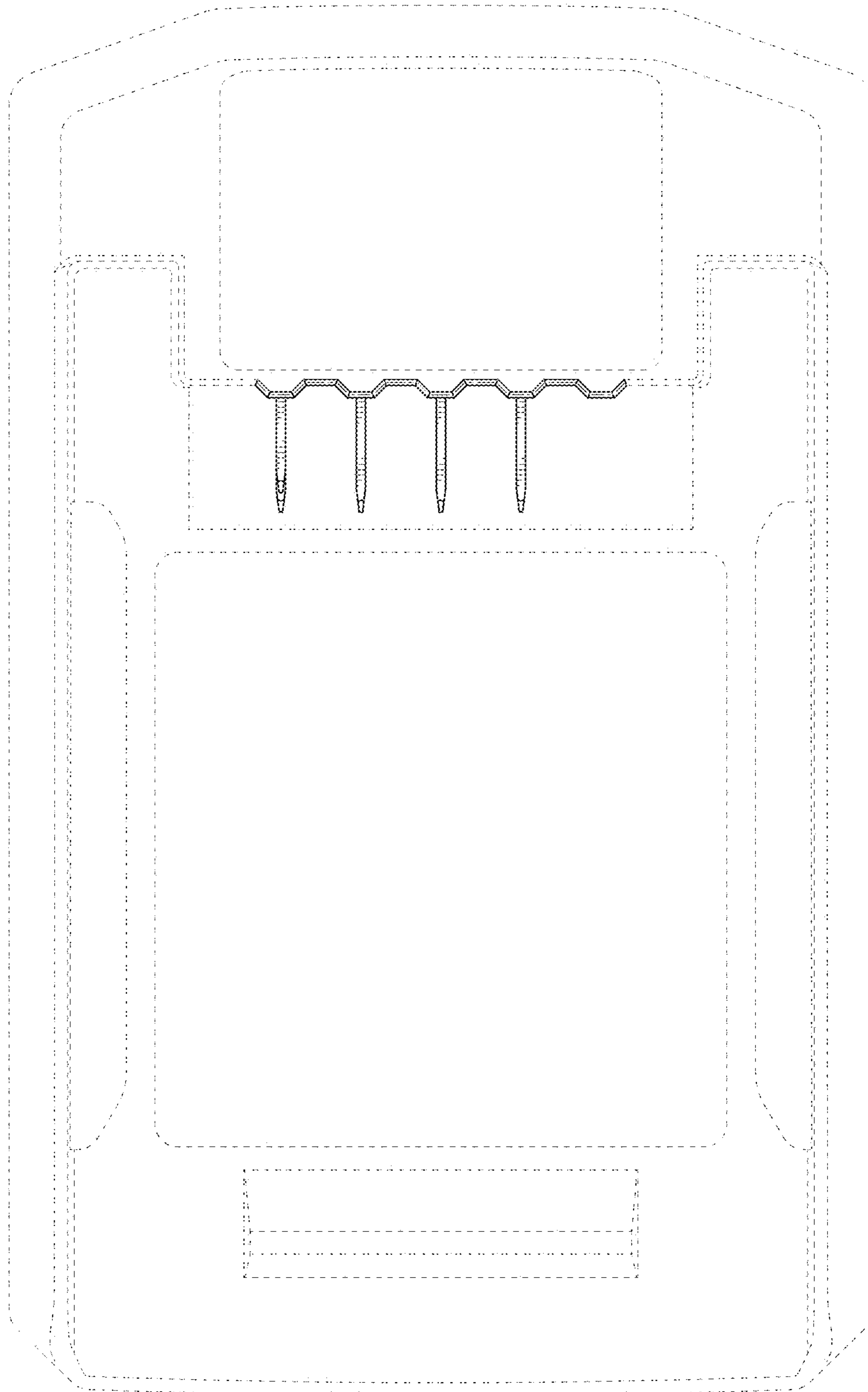


FIG. 4



**FIG. 5**





**FIG. 6**

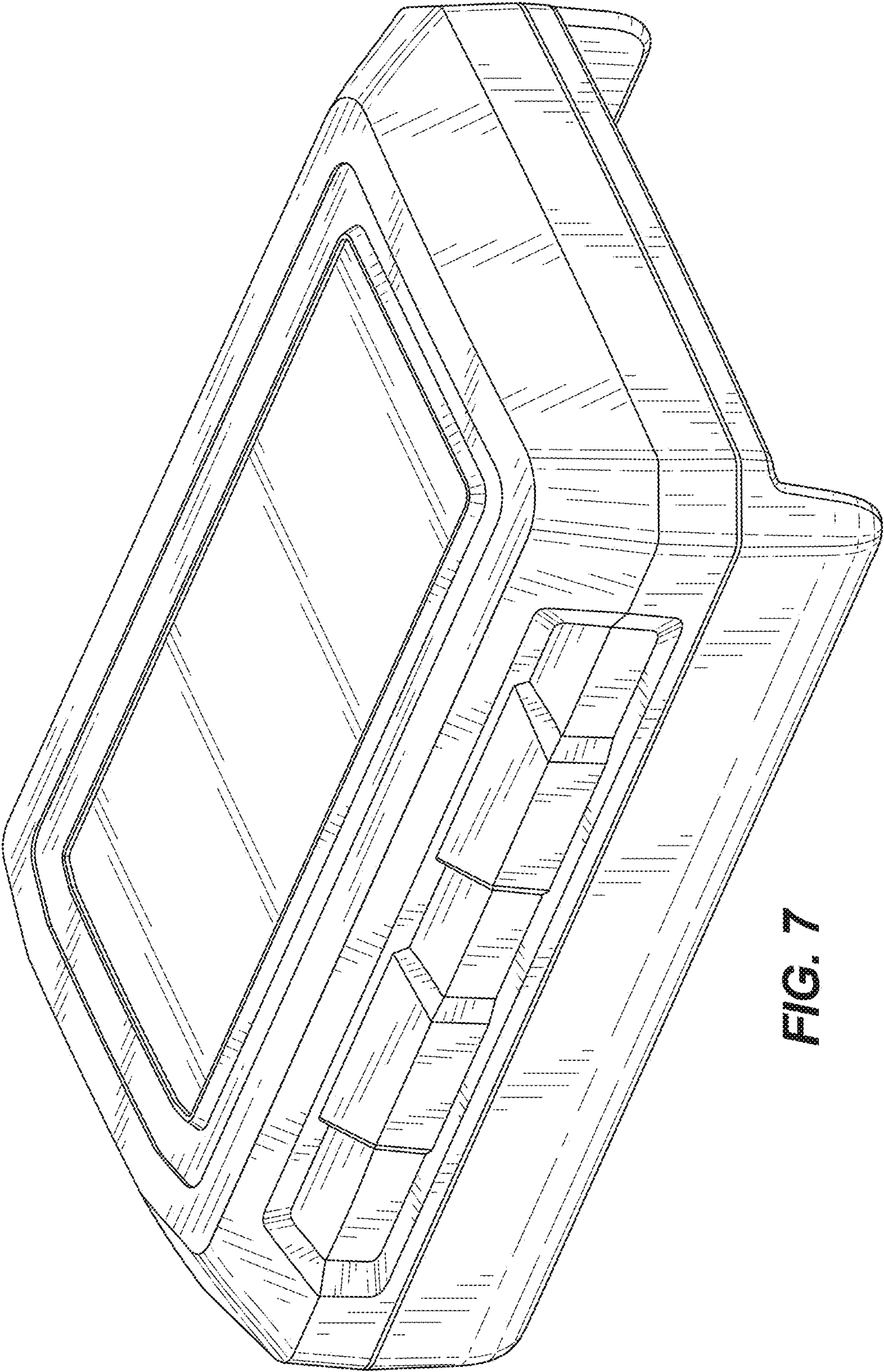
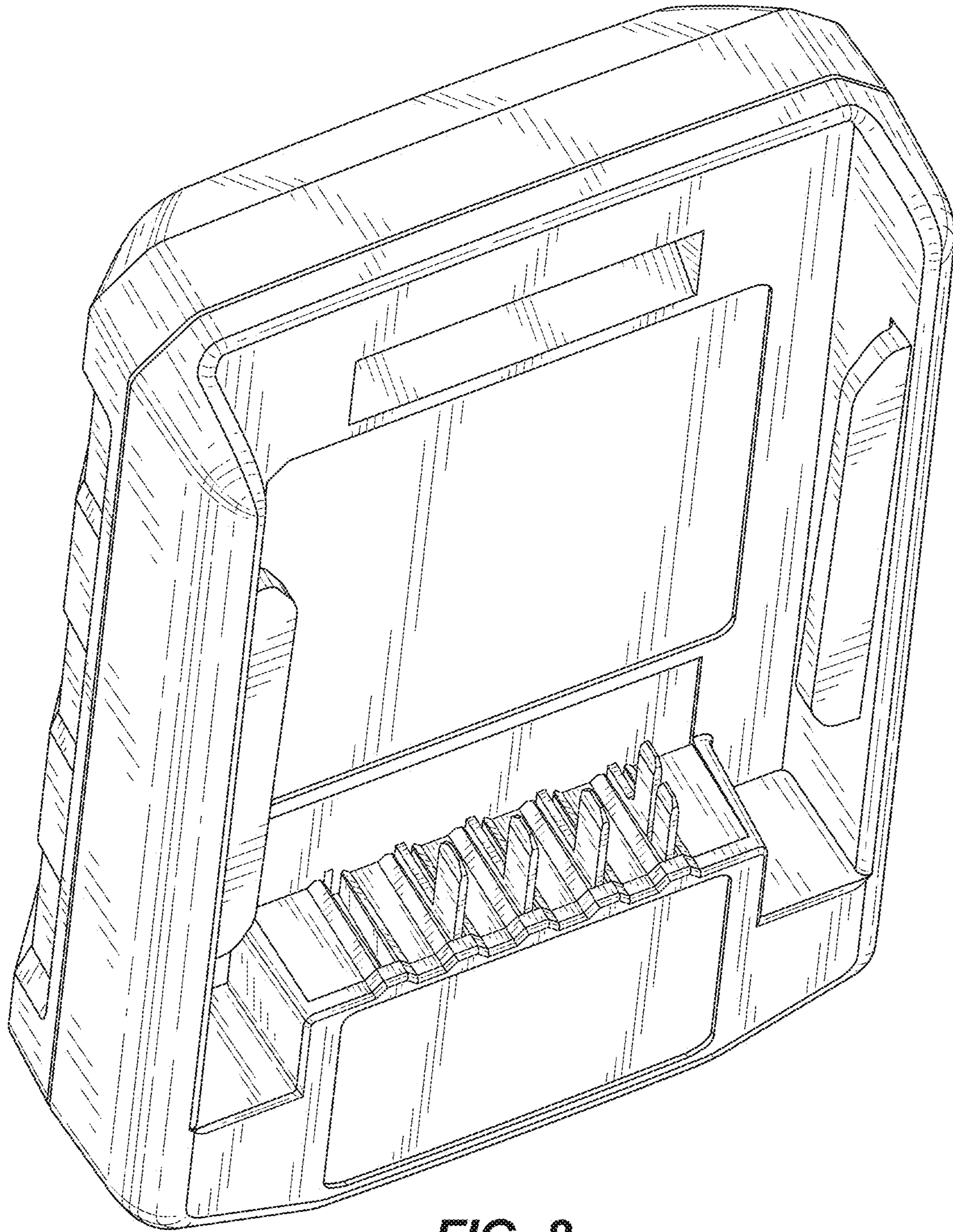
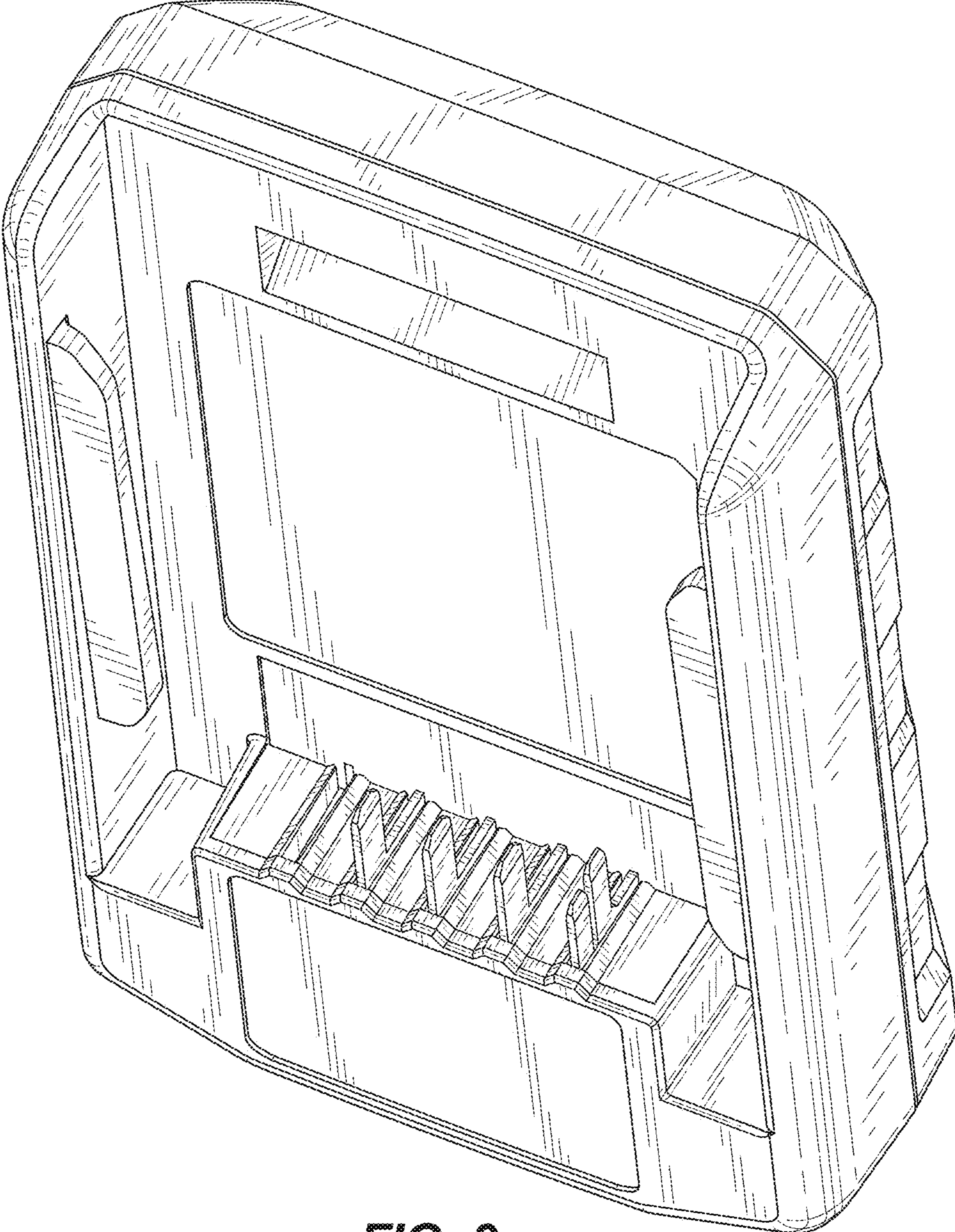


FIG. 7



**FIG. 8**



**FIG. 9**

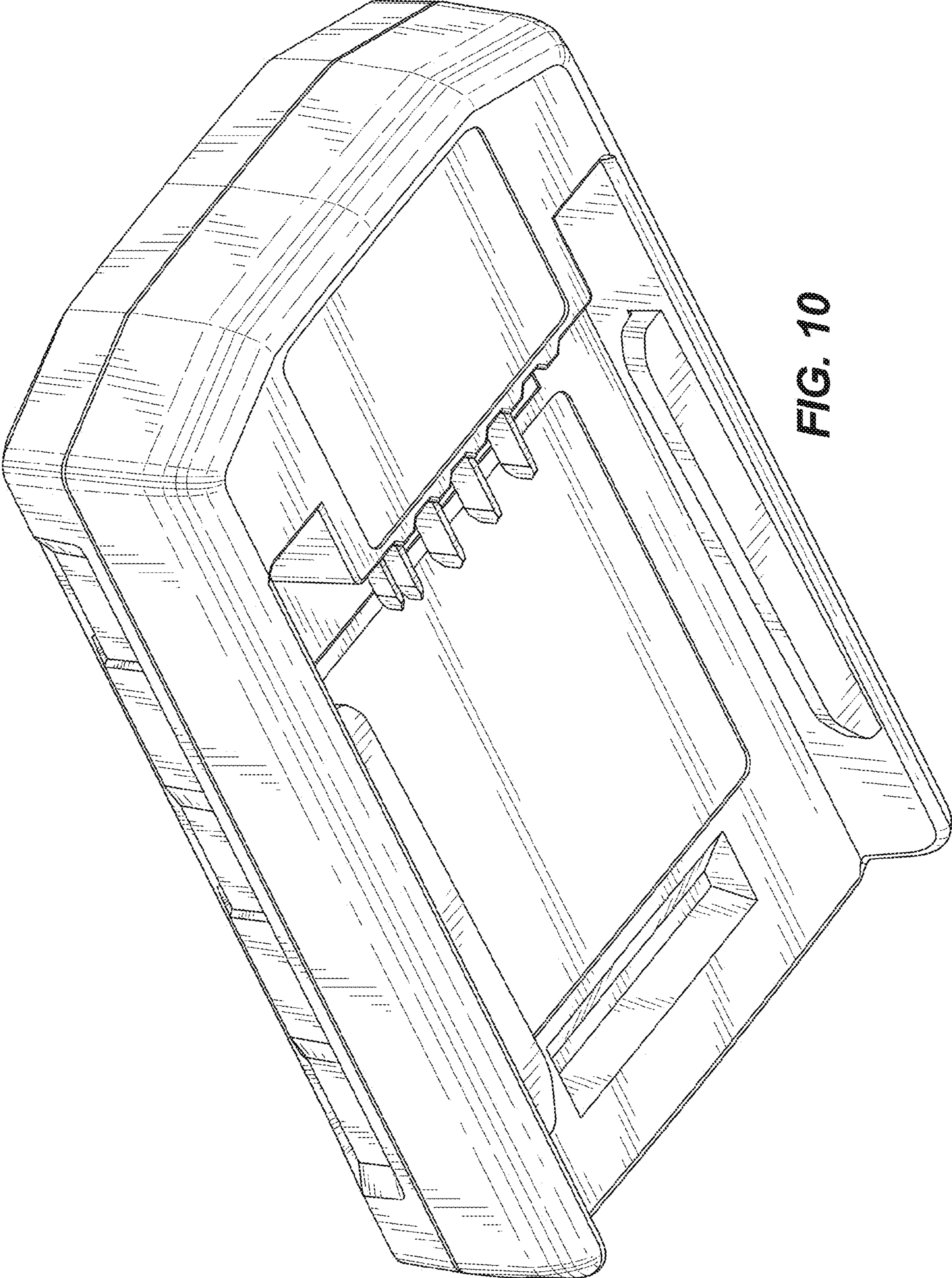


FIG. 10

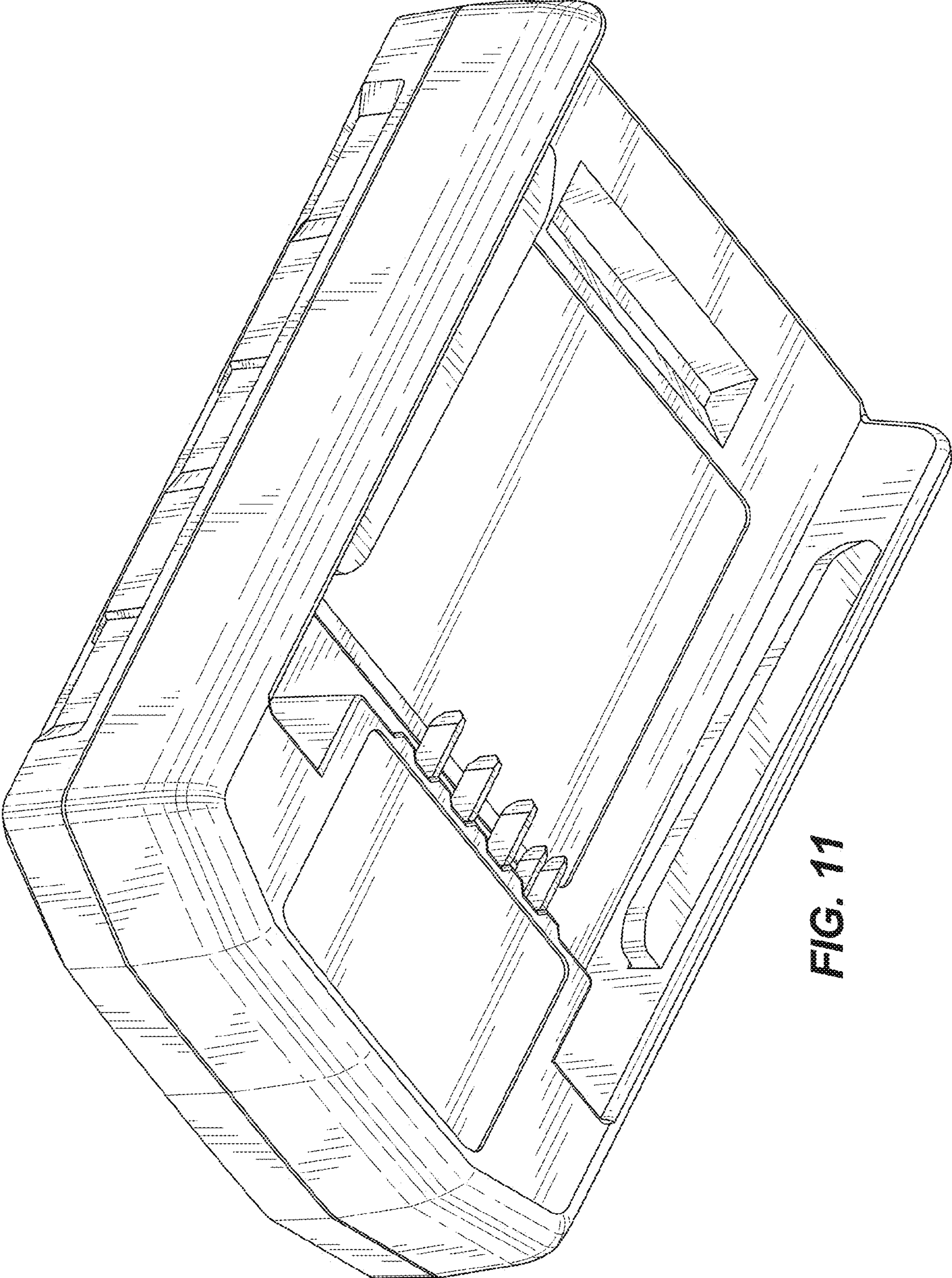
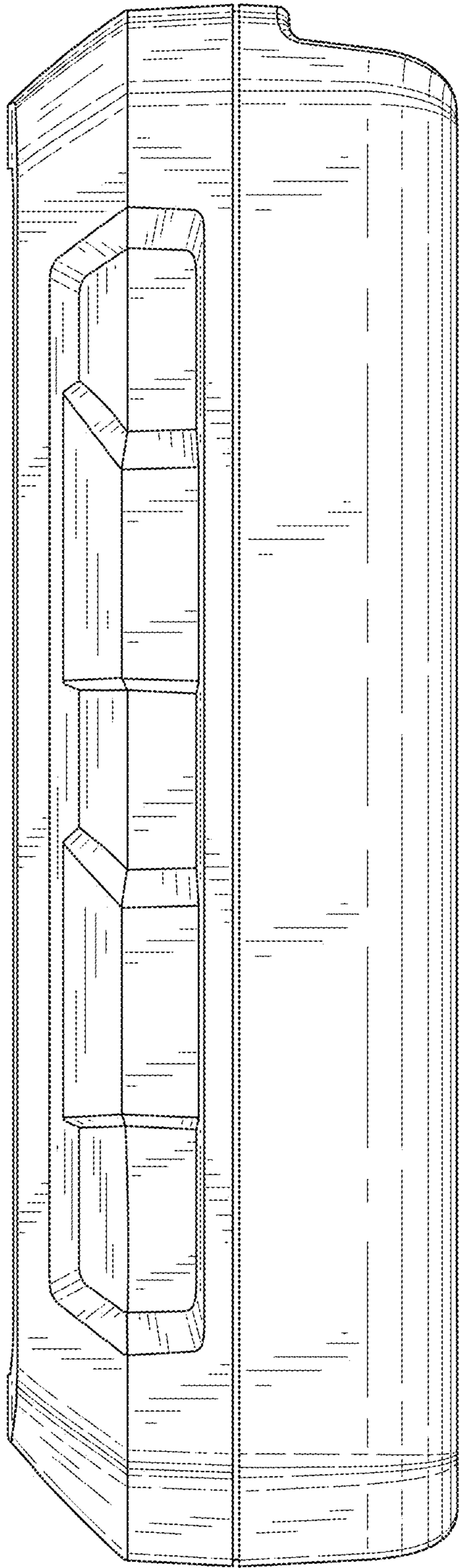
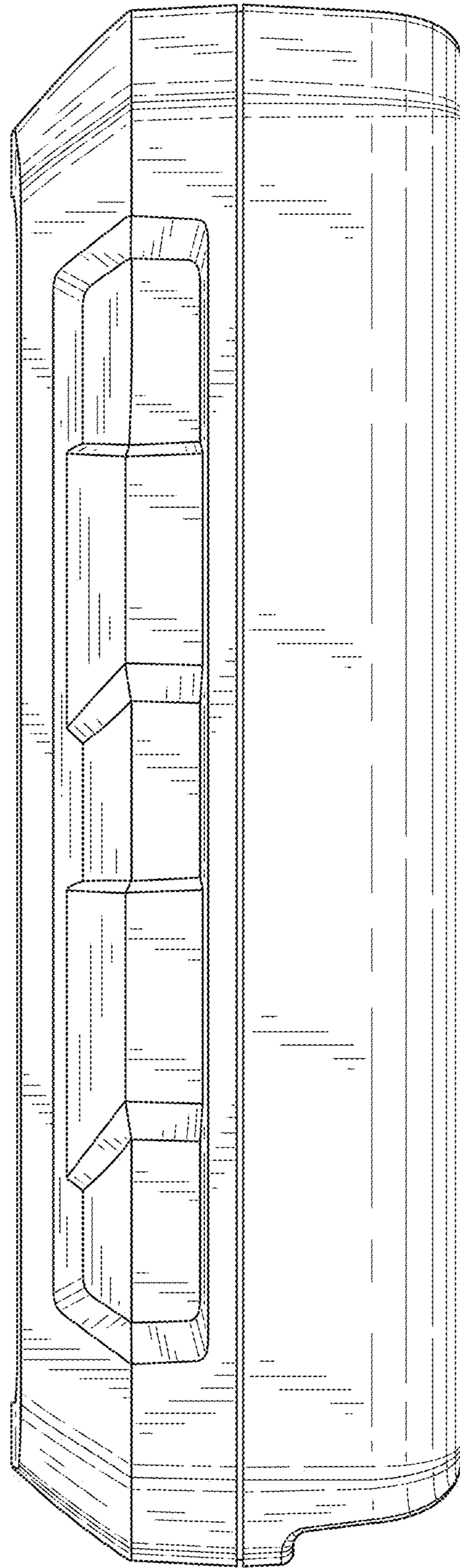


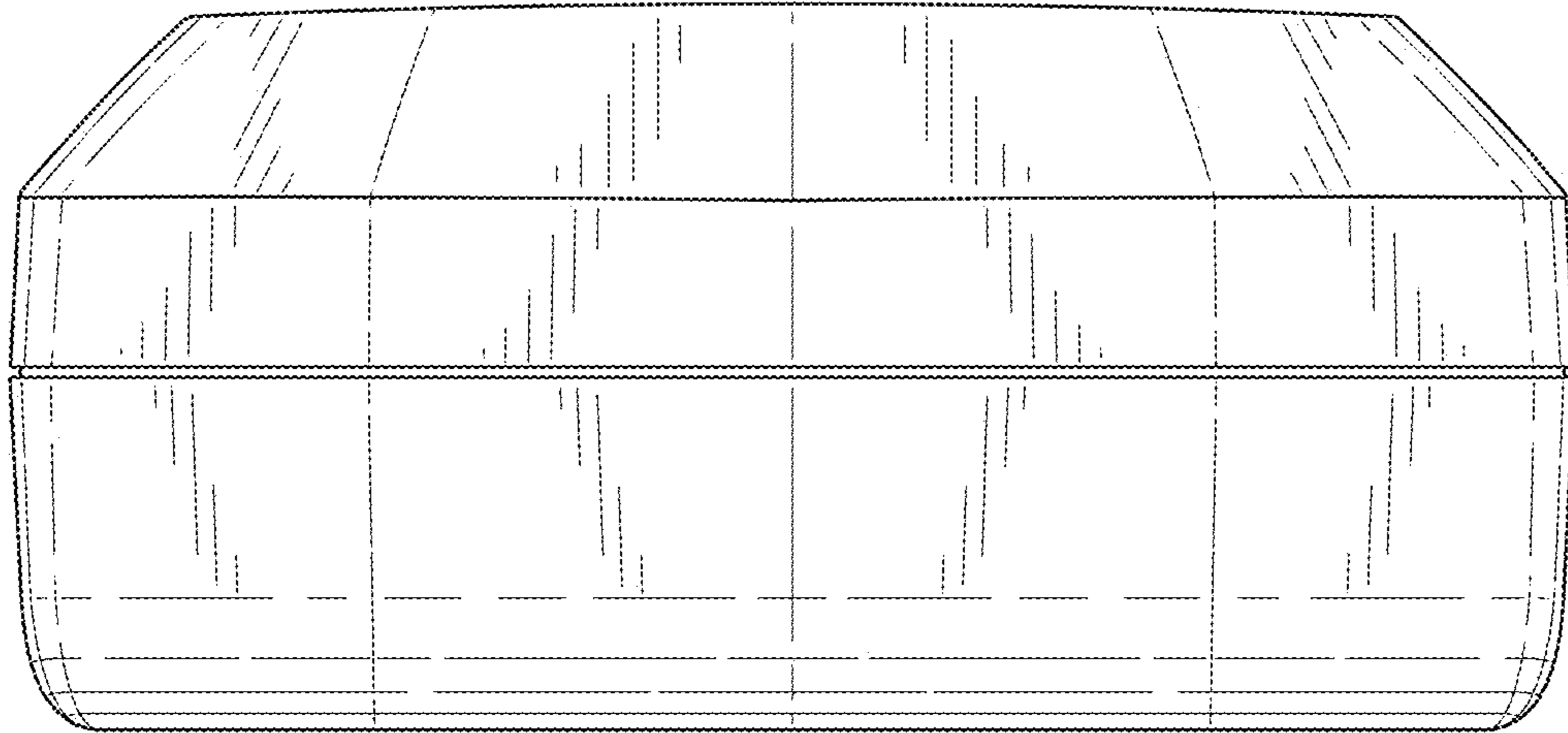
FIG. 11



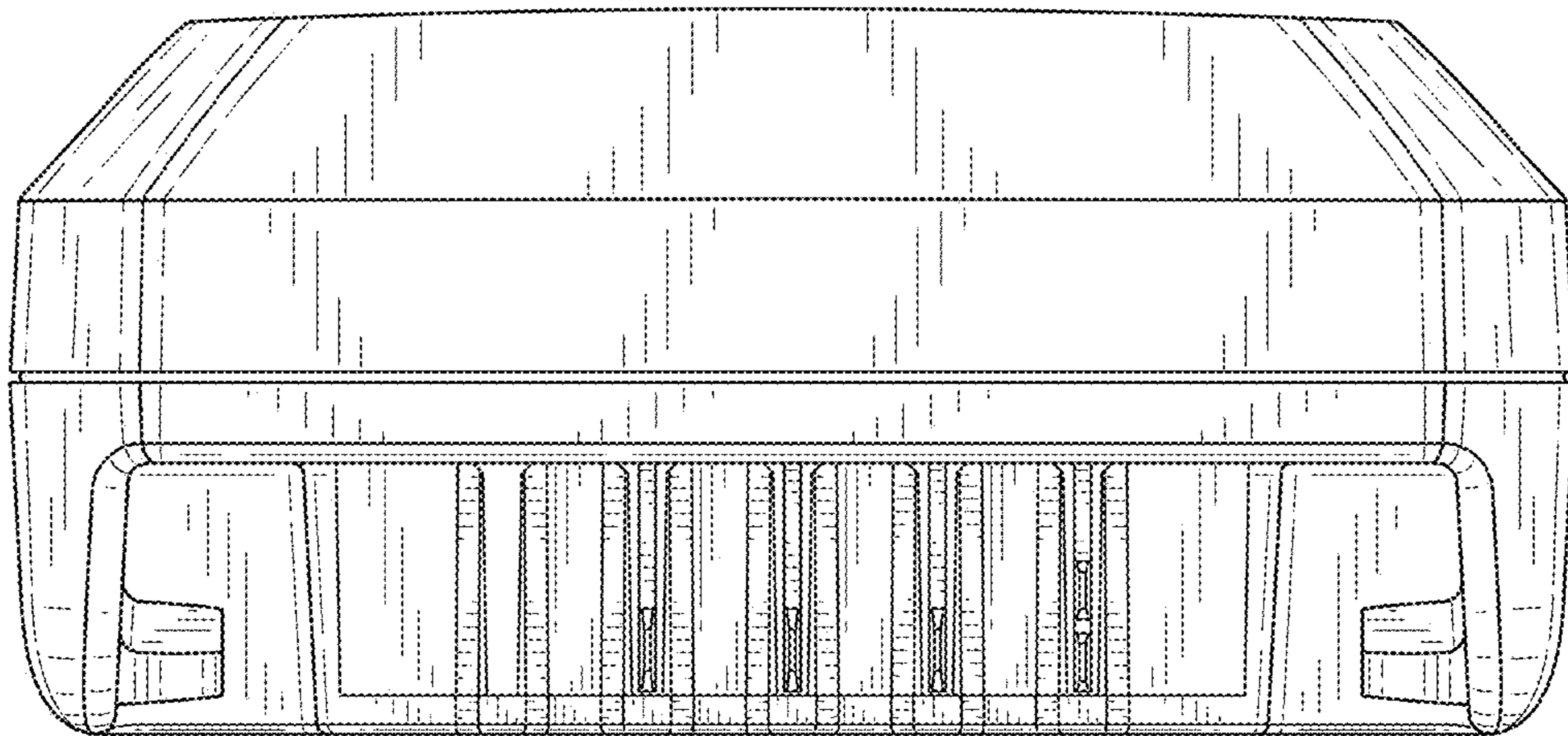
**FIG. 12**



**FIG. 13**



**FIG. 14**

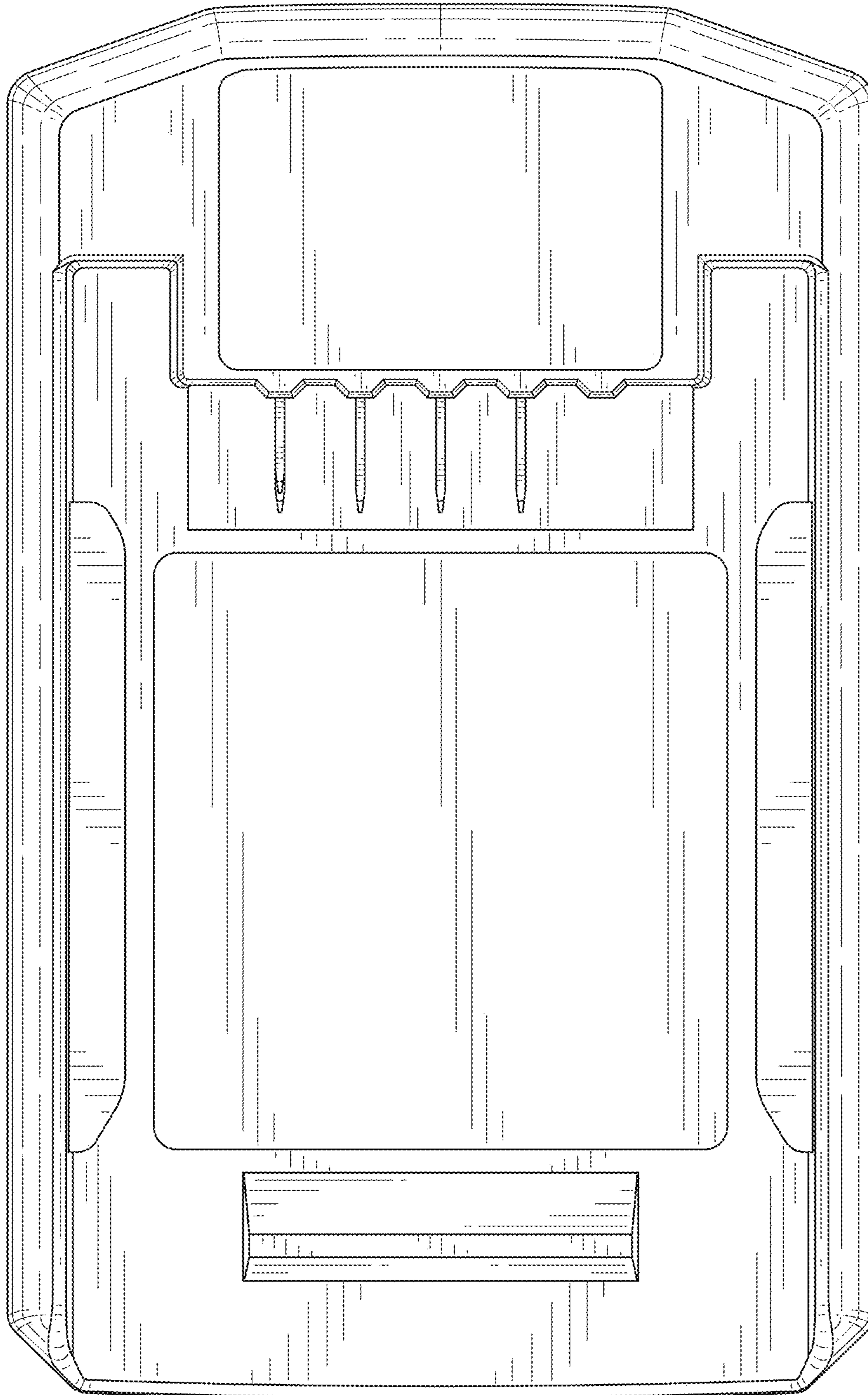


**FIG. 15**





**FIG. 16**



**FIG. 17**

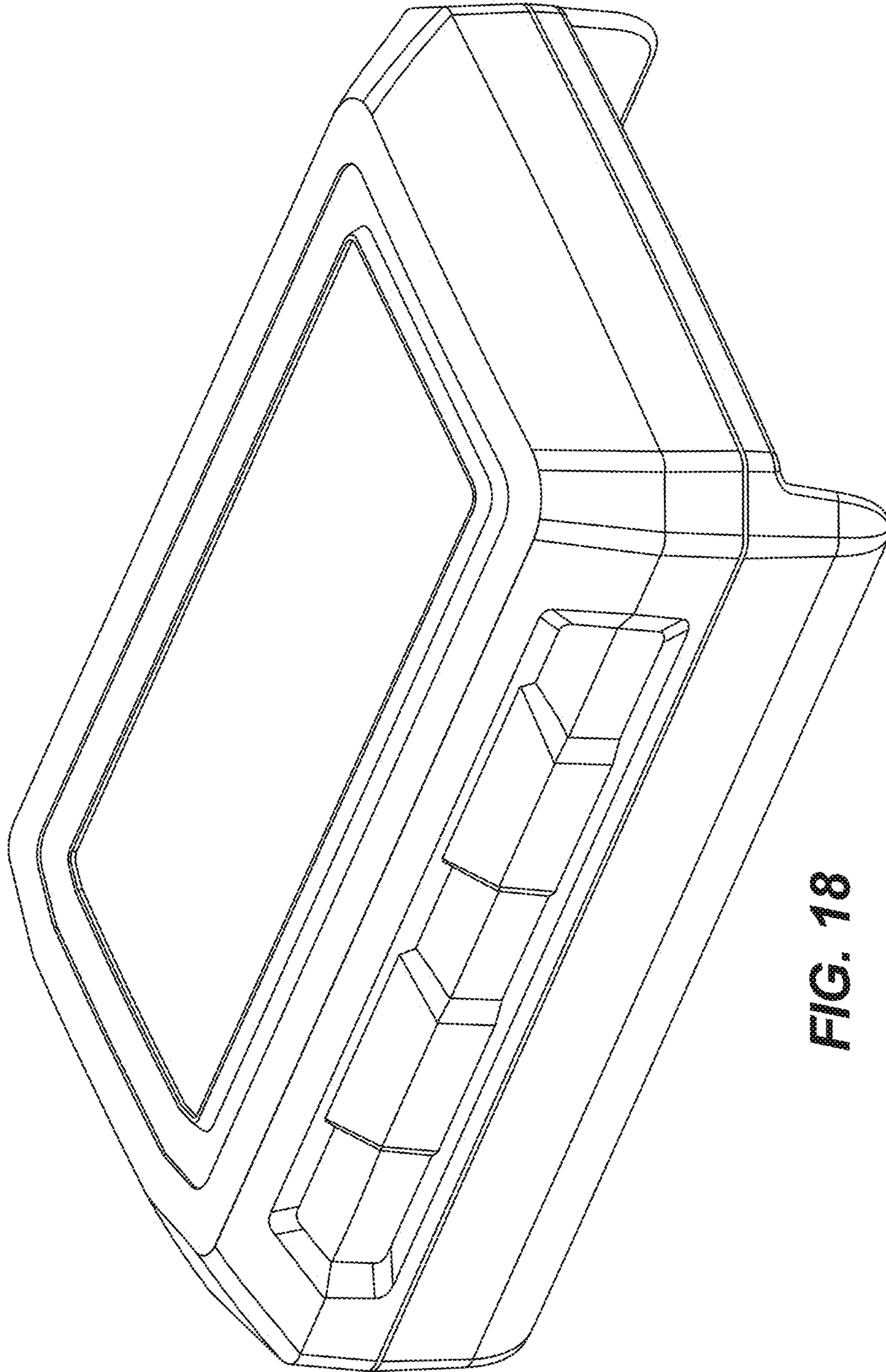
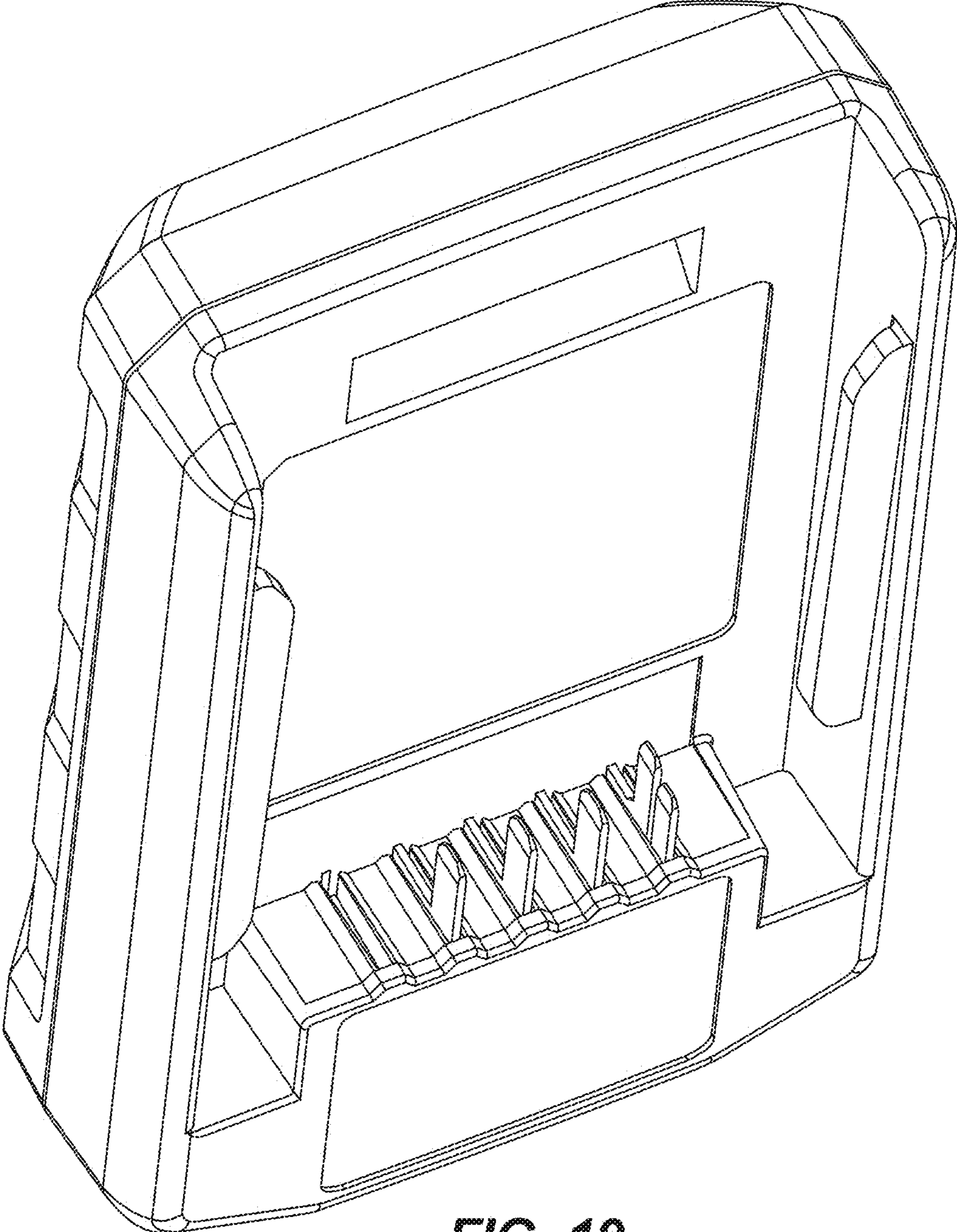
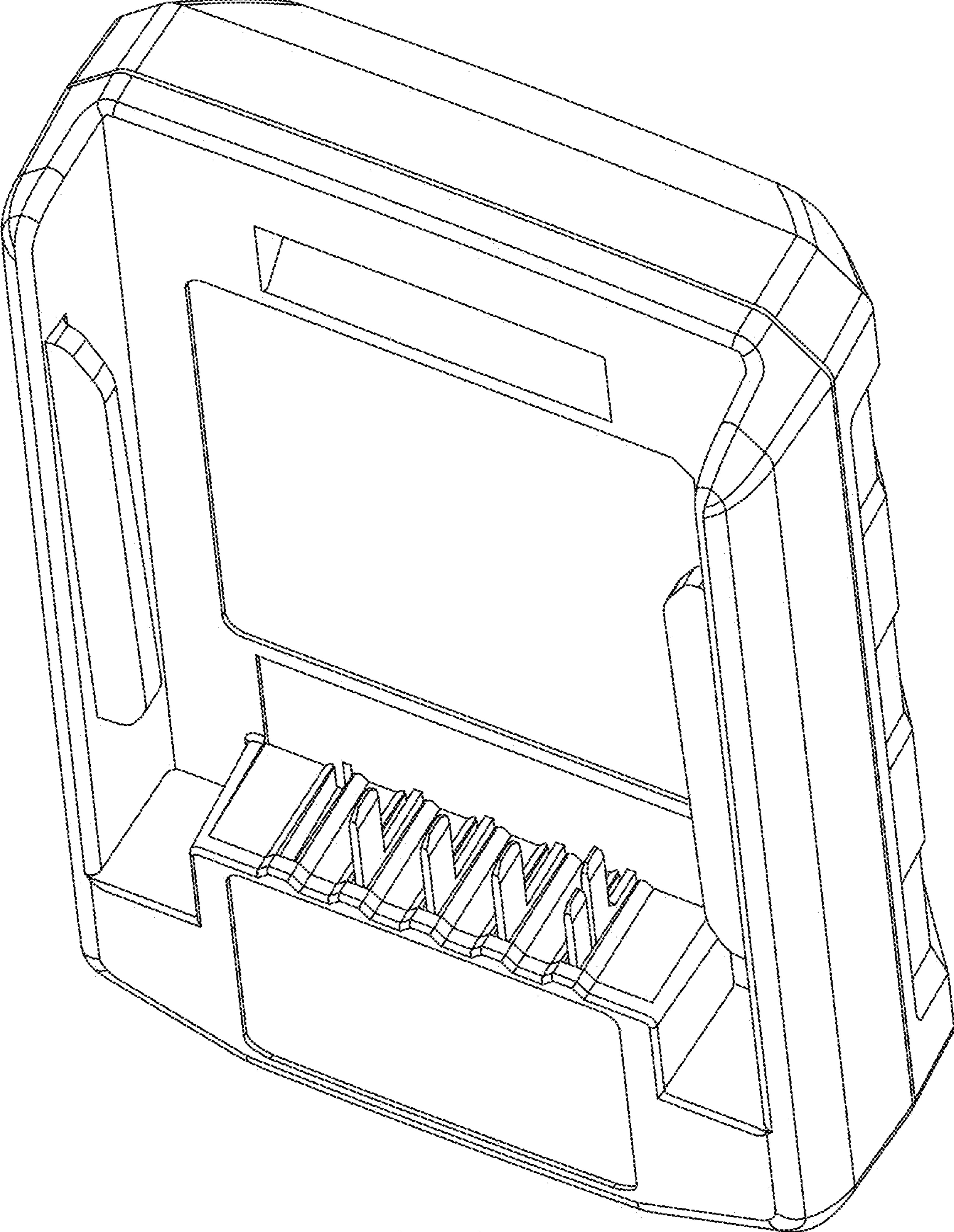


FIG. 18



**FIG. 19**



**FIG. 20**

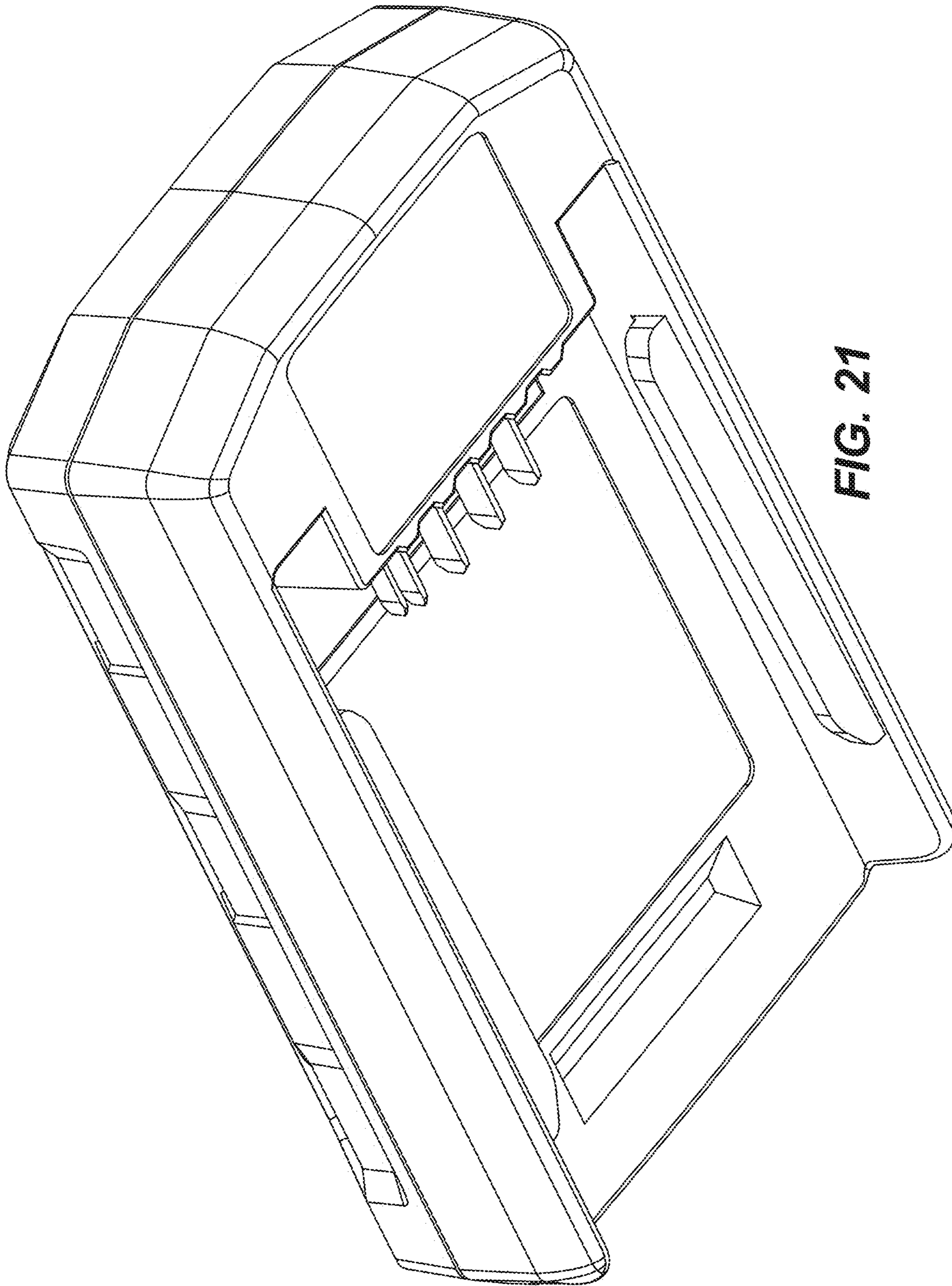


FIG. 21

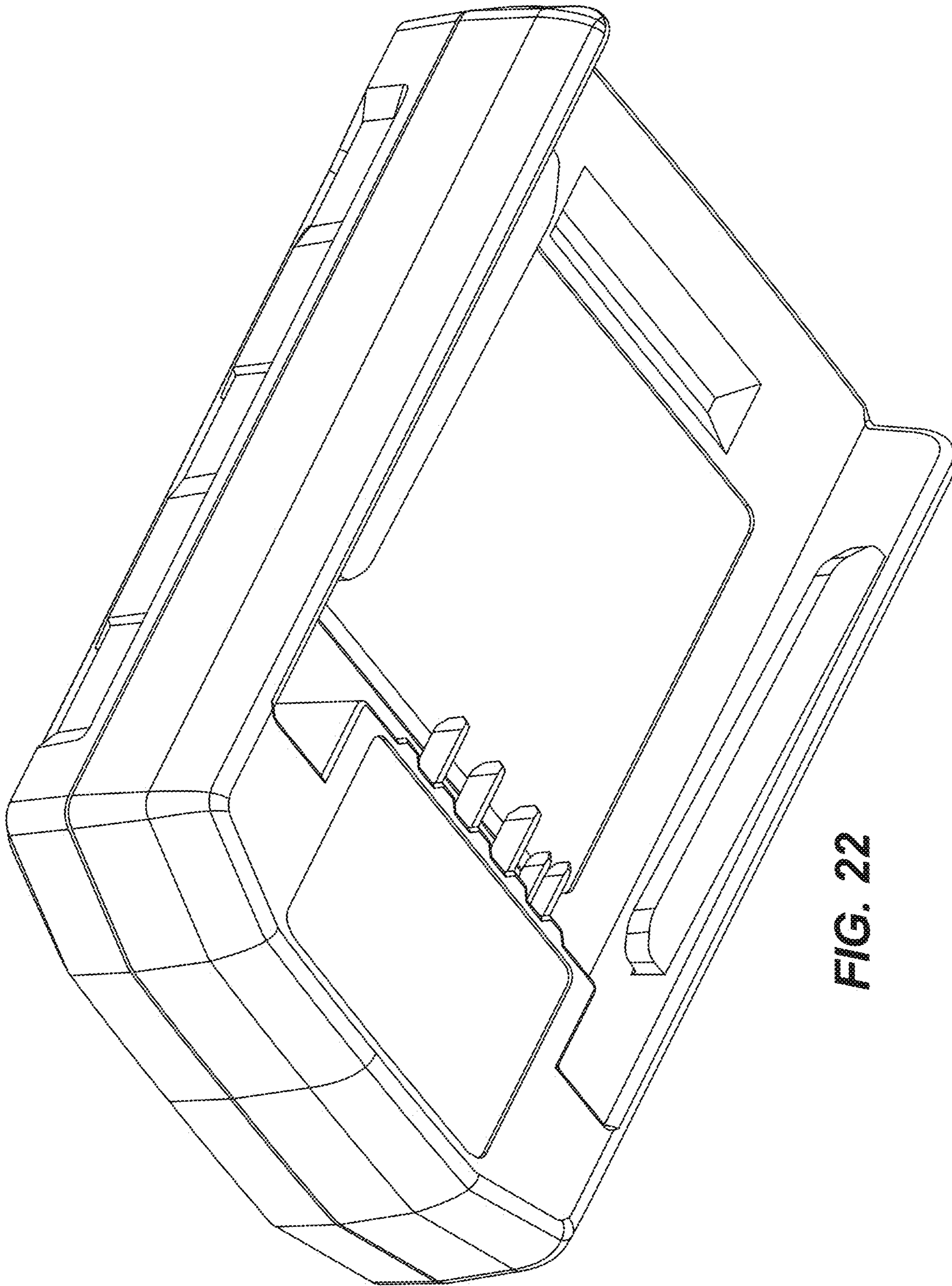
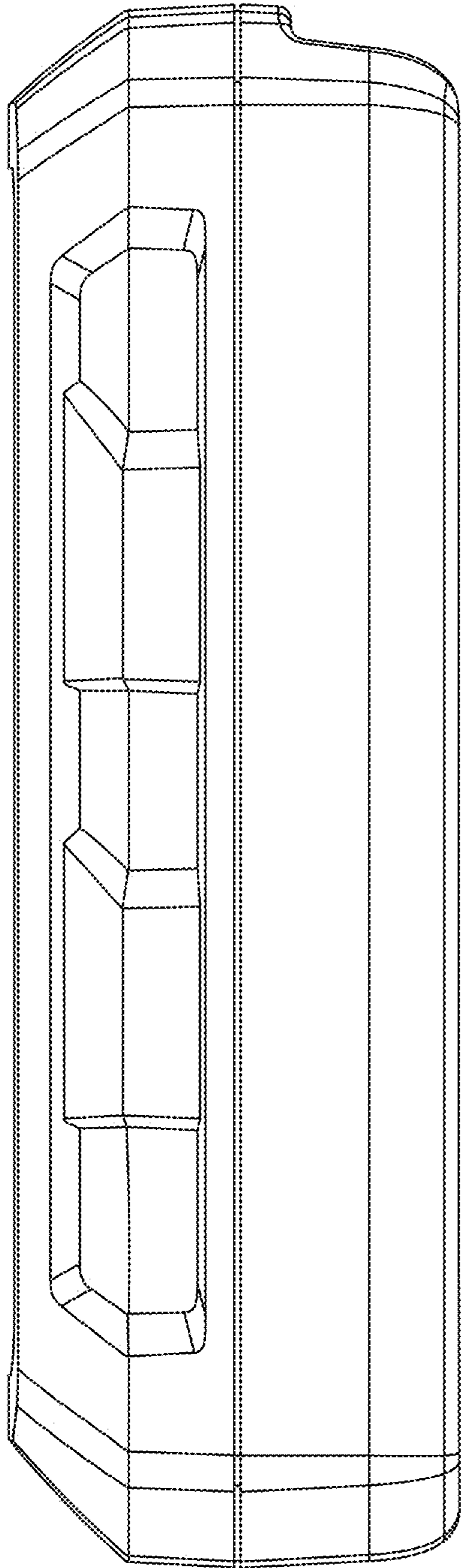
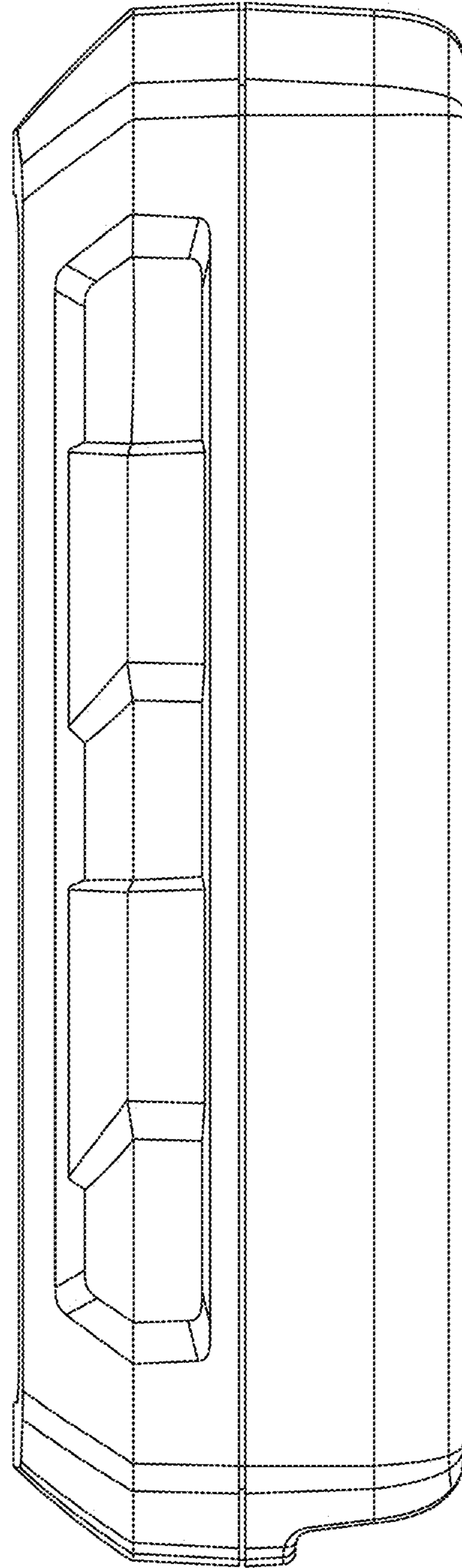


FIG. 22

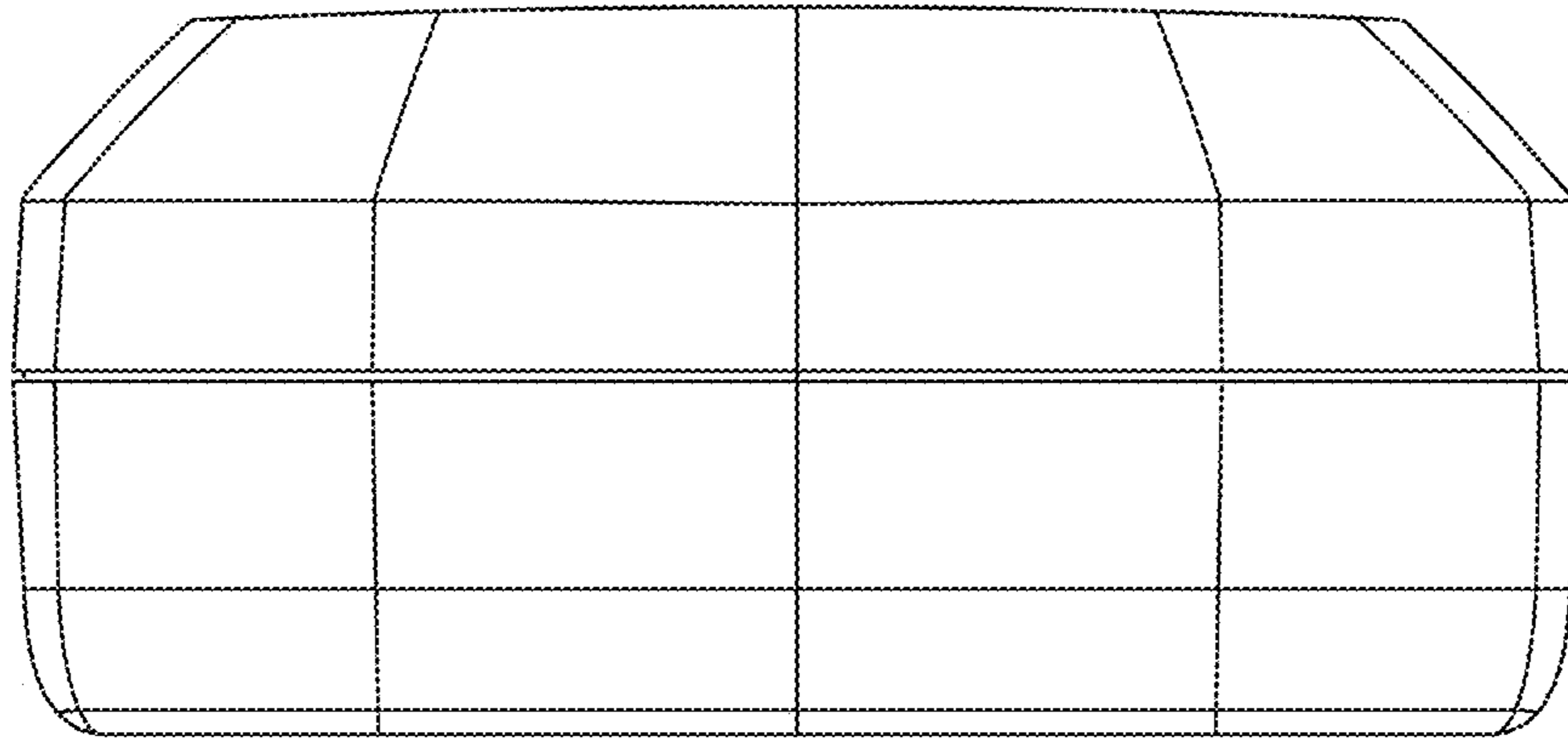


**FIG. 23**

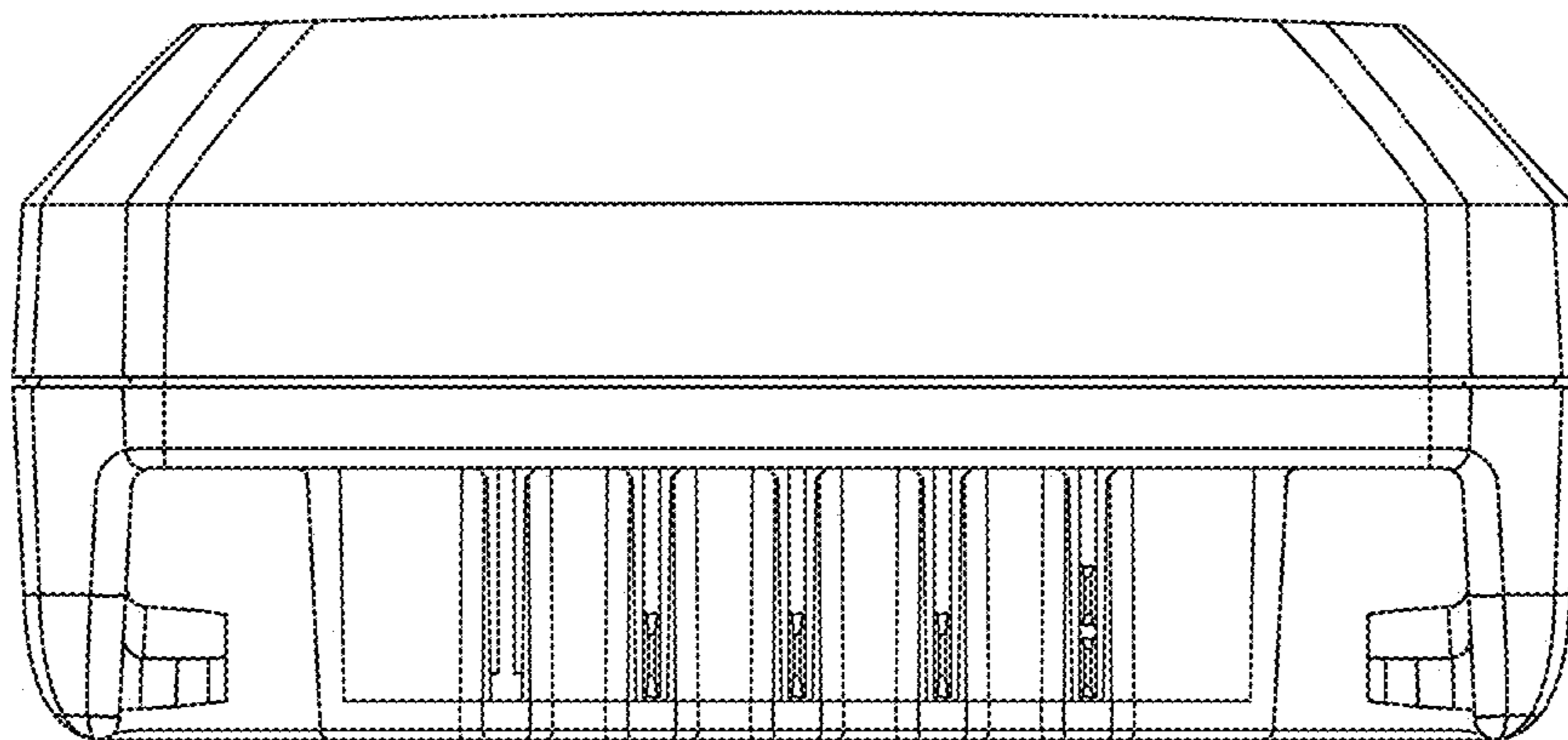


**FIG. 24**

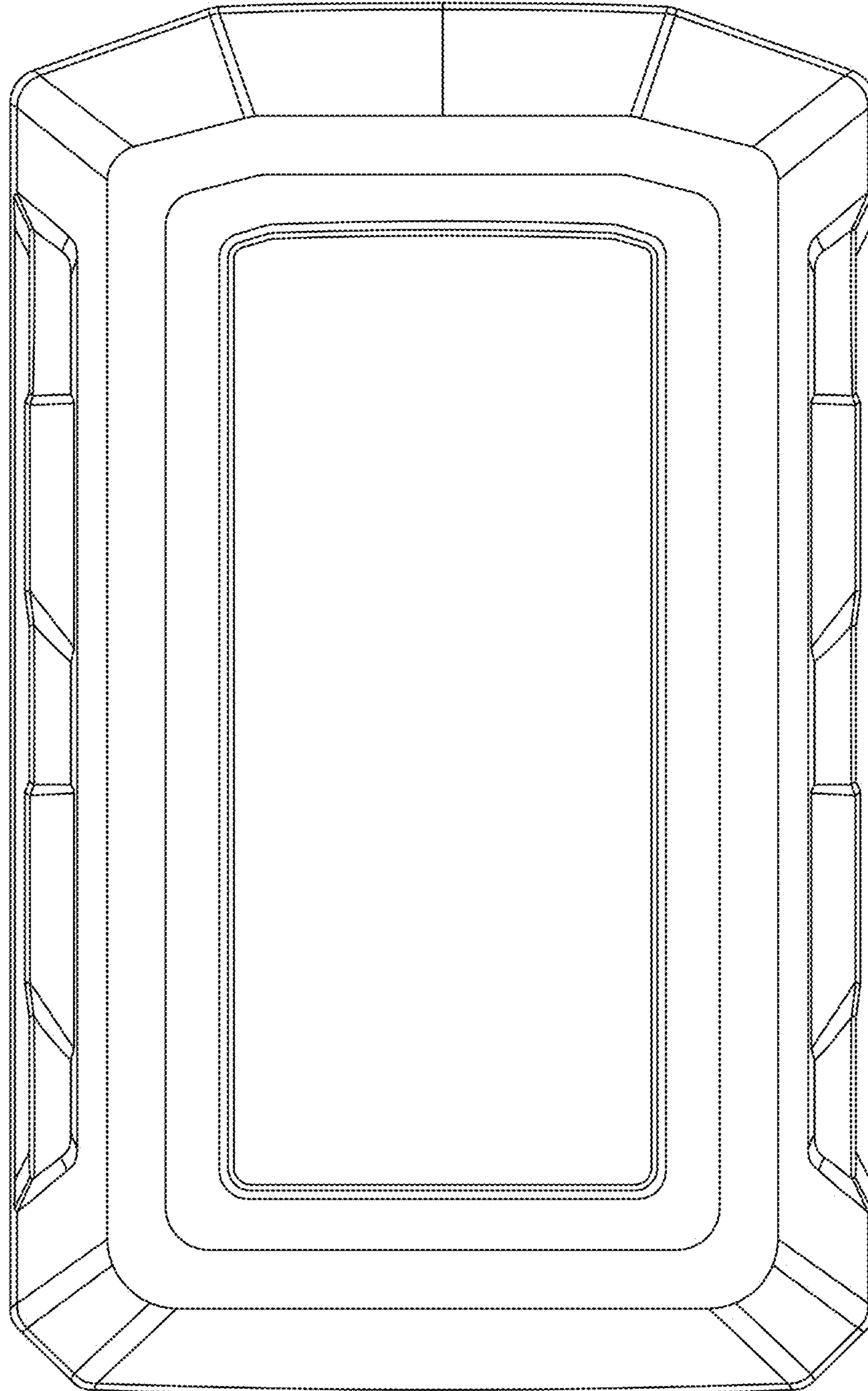




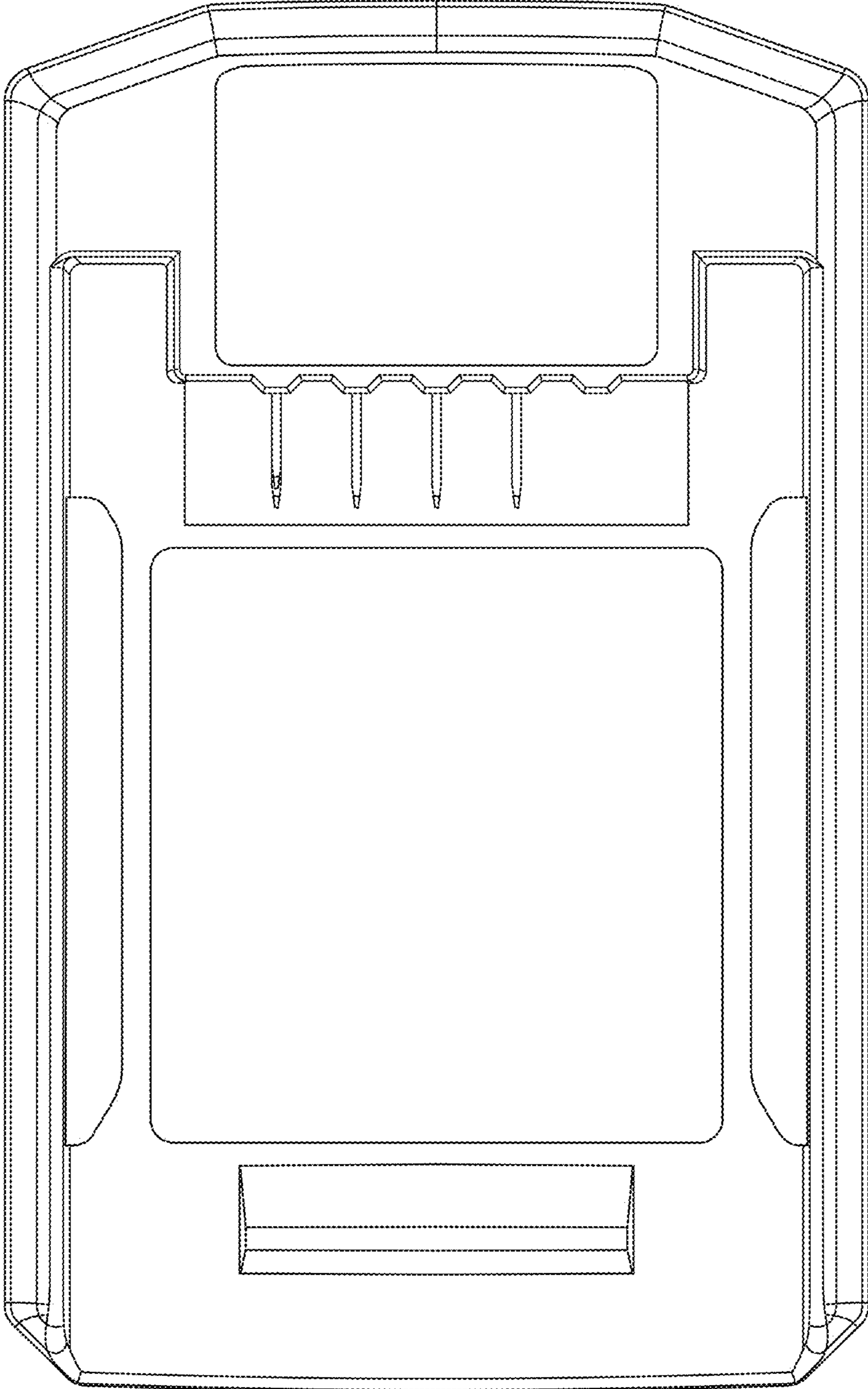
**FIG. 25**



**FIG. 26**



**FIG. 27**



**FIG. 28**