



US00D929333S

(12) **United States Design Patent**  
**Benjakachorndech et al.**

(10) **Patent No.:** **US D929,333 S**

(45) **Date of Patent:** **\*\* Aug. 31, 2021**

(54) **BATTERY BOX**

(71) Applicant: **Seasonal Specialties, LLC**, Eden Prairie, MN (US)

(72) Inventors: **Narong Benjakachorndech**, Dongguan (CN); **Christine Werner**, St. Louis Park, MN (US); **Steven Altamura**, Scarsdale, NY (US)

(73) Assignee: **Seasonal Specialties, LLC**, Eden Prairie, MN (US)

(\*\*) Term: **15 Years**

(21) Appl. No.: **29/704,220**

(22) Filed: **Sep. 3, 2019**

(51) **LOC (13) Cl.** ..... **13-02**

(52) **U.S. Cl.**  
USPC ..... **D13/119**

(58) **Field of Classification Search**  
USPC ..... D13/102, 103, 107, 108, 110, 112, 113, D13/118, 119, 184, 199; D26/25  
CPC ..... Y02T 10/7005; Y02T 10/705; Y02T 10/7088; H02J 7/025; H02J 7/0042; H02J 7/0044; H02J 7/0045; H02J 7/0003; H01F 38/14; H01M 2/02; H01M 2/022; H01M 2/0202; H01M 2/0207; H01M 2/0212; H01M 2/1061; H01M 2/1022; H01M 2/1055; H01M 2/1066; H01M 2/105; H01M 2/204; H01M 2/10; Y02E 60/12; Y02E 60/122; Y02E 60/124; Y02E 60/50  
See application file for complete search history.

(56) **References Cited**

**U.S. PATENT DOCUMENTS**

- D363,669 S \* 10/1995 Pennoyer, Jr. .... D3/292
- D379,004 S \* 4/1997 Keijser ..... D13/184
- D423,464 S \* 4/2000 Witte ..... D13/184
- D425,476 S \* 5/2000 Campbell ..... D13/103

- D451,278 S \* 12/2001 Cooper ..... D3/294
- D499,070 S \* 11/2004 Lavington ..... D13/119
- D507,241 S \* 7/2005 Koessler ..... D13/152
- D517,479 S \* 3/2006 Schemm ..... D13/103
- D517,988 S \* 3/2006 Ihde ..... D13/103
- D562,128 S \* 2/2008 van de Velde ..... D9/420
- D660,261 S \* 5/2012 Huang ..... D13/184
- D692,748 S \* 11/2013 Short ..... D9/420
- D757,435 S \* 5/2016 Damberg ..... B25H 3/021  
D3/284
- D759,590 S 6/2016 Wang
- D777,104 S \* 1/2017 Liu ..... D13/119
- D785,567 S \* 5/2017 Abena ..... D13/119
- D789,899 S \* 6/2017 von der Lippe ..... D13/184
- 9,893,330 B2 \* 2/2018 Lam ..... H01M 10/425

(Continued)

*Primary Examiner* — Christy Nemeth

(74) *Attorney, Agent, or Firm* — Hamre, Schumann, Mueller & Larson, P.C.

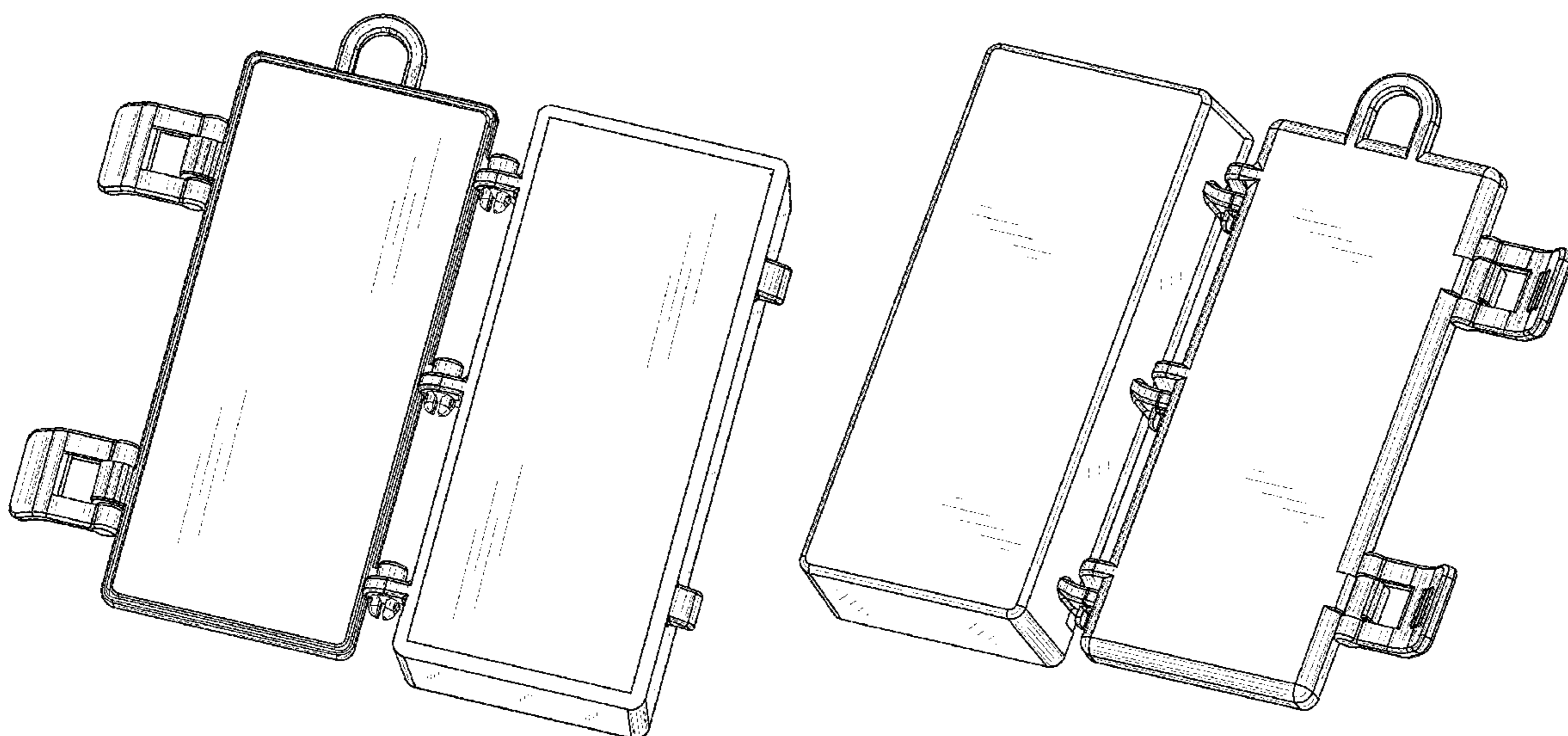
(57) **CLAIM**

The ornamental design for a battery box, as shown and described.

**DESCRIPTION**

FIG. 1 is a top perspective view of a battery box;  
 FIG. 2 is a bottom perspective view of the battery box shown in FIG. 1 thereof;  
 FIG. 3 is a right side view of the battery box shown in FIG. 1 thereof;  
 FIG. 4 is a left side view of the battery box shown in FIG. 1 thereof;  
 FIG. 5 is a bottom plan view of the battery box shown in FIG. 1 thereof;  
 FIG. 6 is a top plan view of the battery box shown in FIG. 1 thereof;  
 FIG. 7 is a front view of the battery box shown in FIG. 1 thereof; and,  
 FIG. 8 is a rear view of the battery box shown in FIG. 1 thereof.

**1 Claim, 8 Drawing Sheets**



(56)

## References Cited

## U.S. PATENT DOCUMENTS

D821,968 S \* 7/2018 Zhao ..... D13/103  
D823,788 S \* 7/2018 Wei ..... D13/103  
D825,464 S \* 8/2018 Xie ..... D13/119  
D825,465 S \* 8/2018 Deng ..... D13/119  
D853,320 S \* 7/2019 Guo ..... D13/103  
D861,606 S \* 10/2019 Yang ..... D13/119  
D881,812 S \* 4/2020 Yang ..... D13/119  
D883,196 S \* 5/2020 Chen ..... D13/103  
D885,326 S \* 5/2020 Zhang ..... D13/103  
D886,045 S \* 6/2020 Deng ..... D13/103  
D886,738 S \* 6/2020 Huang ..... D13/119  
D890,087 S \* 7/2020 Xiao ..... D13/103  
D896,179 S \* 9/2020 Yang ..... D13/119  
2012/0132657 A1 \* 5/2012 Seiders ..... B65D 81/3816  
220/592.2  
2014/0125271 A1 \* 5/2014 Wang ..... G06F 1/1632  
320/107  
2015/0352711 A1 \* 12/2015 Brunner ..... B65D 25/18  
206/349  
2016/0341408 A1 11/2016 Altamura  
2017/0197765 A1 \* 7/2017 Hu ..... B65D 25/2852  
2017/0233155 A1 \* 8/2017 Daws, II ..... E05B 63/244  
220/324  
2018/0172413 A1 \* 6/2018 Luis y Prado ..... B65D 25/108  
2018/0186550 A1 \* 7/2018 Morine ..... F25D 3/08  
2020/0148428 A1 \* 5/2020 Georgiadis ..... B65D 43/0256  
2020/0295580 A1 \* 9/2020 Bishop ..... H02J 7/025  
2020/0324943 A1 \* 10/2020 Mattila ..... E05B 17/0025  
2020/0407133 A1 \* 12/2020 Morris, Jr. .... B65D 55/06

\* cited by examiner

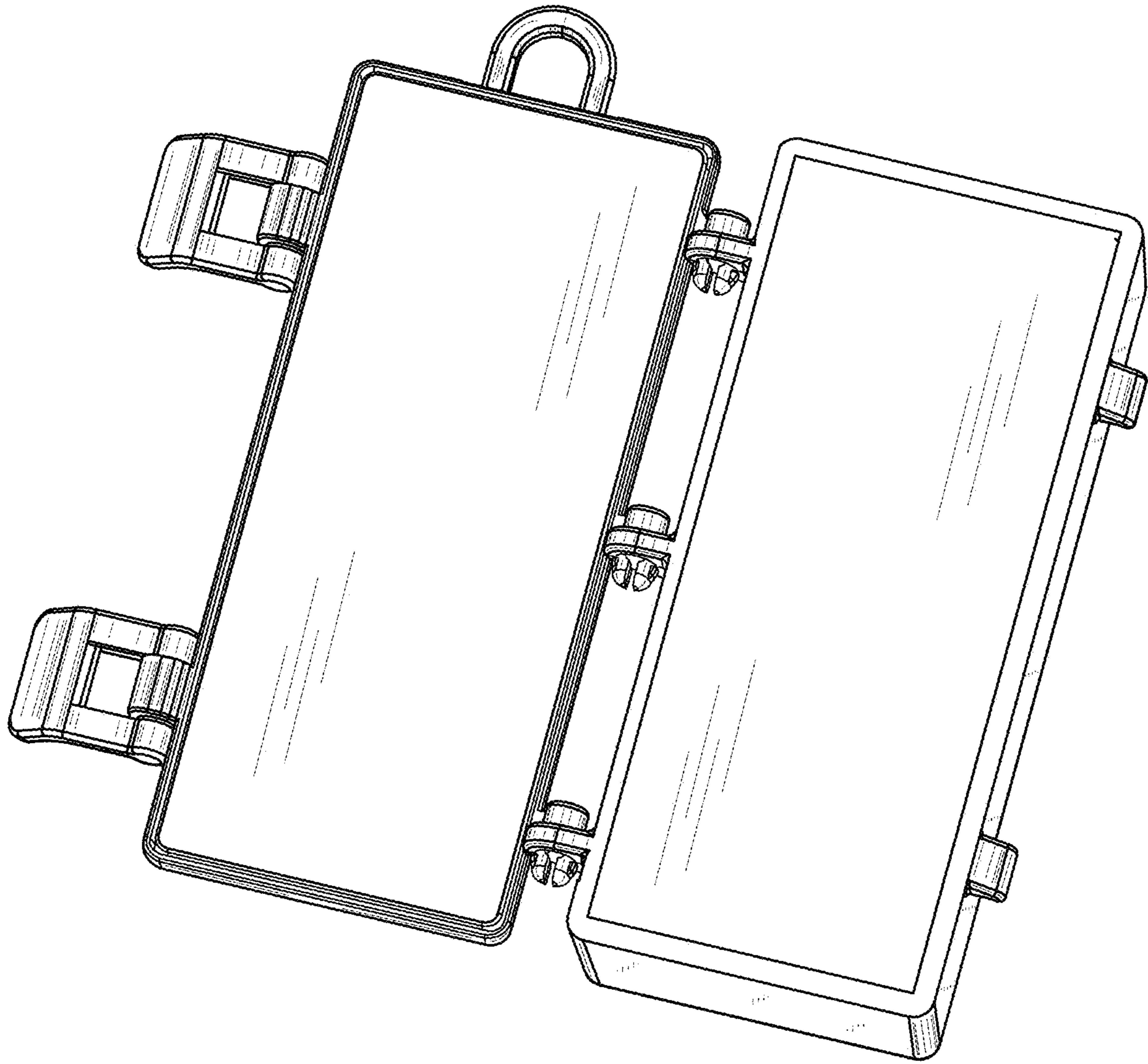


FIG. 1



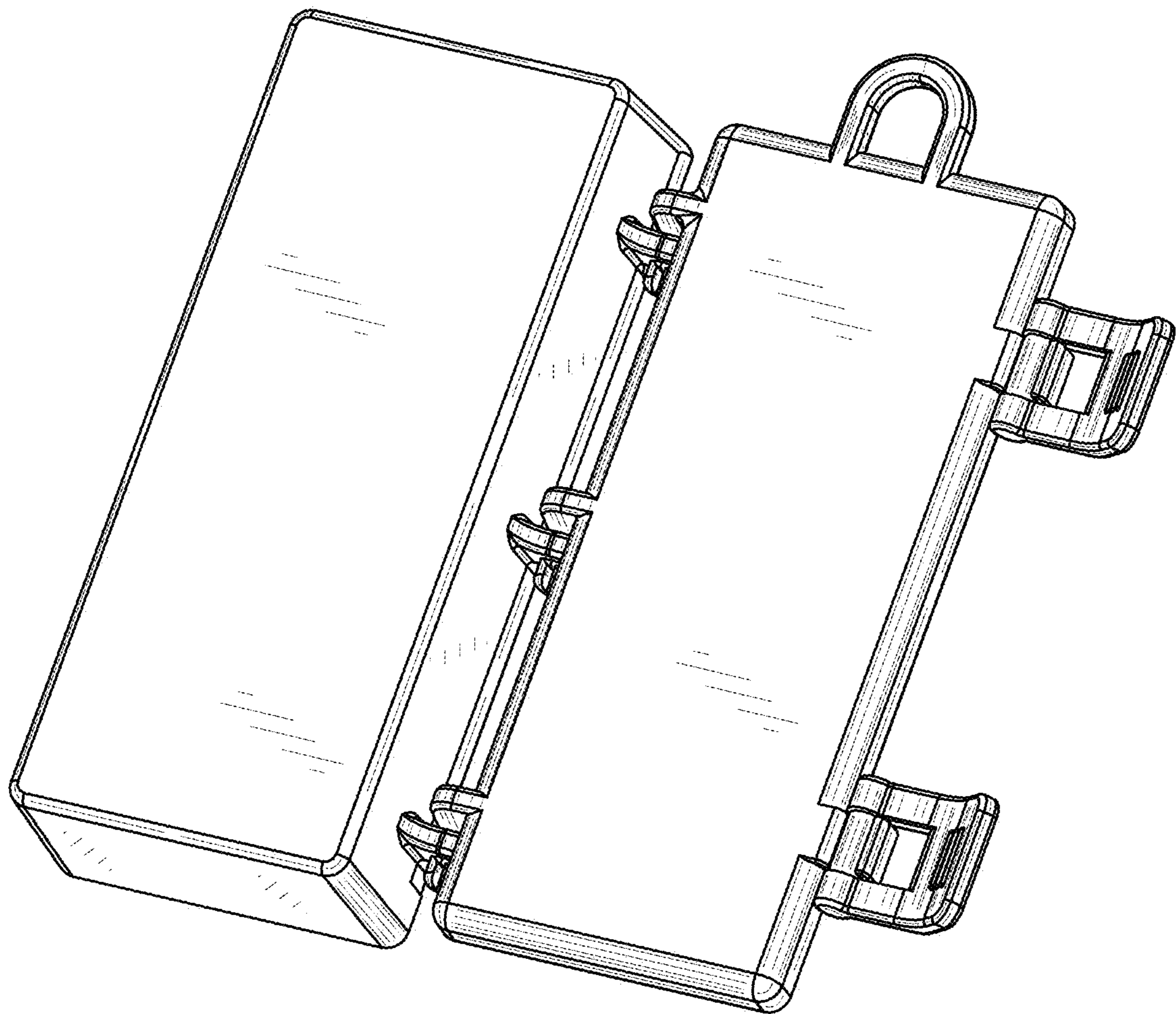


FIG. 2

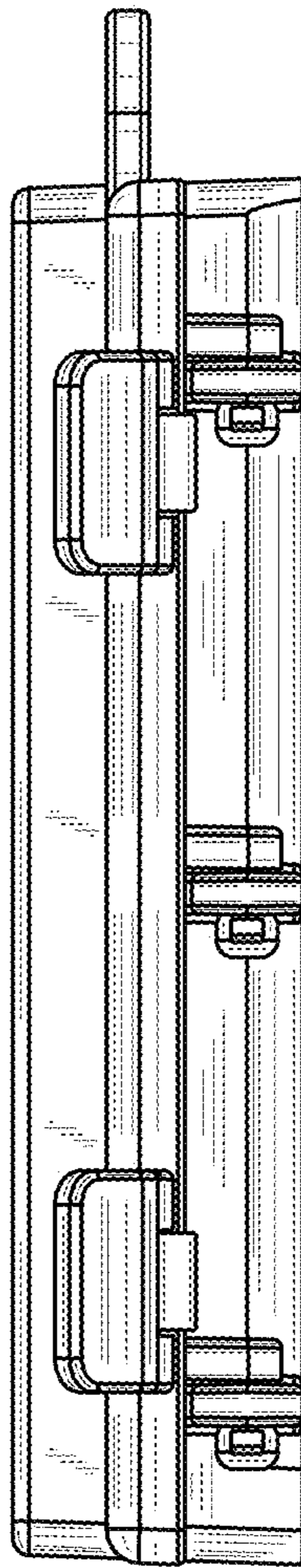


FIG. 3

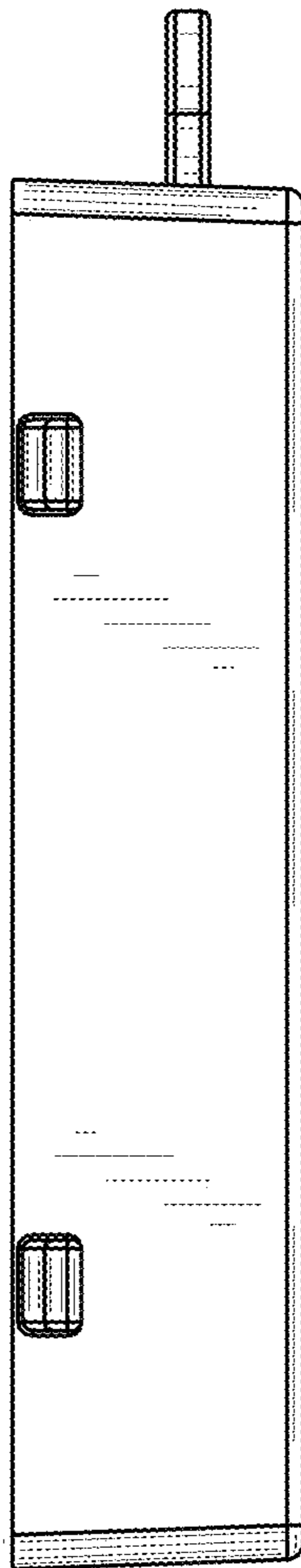


FIG. 4

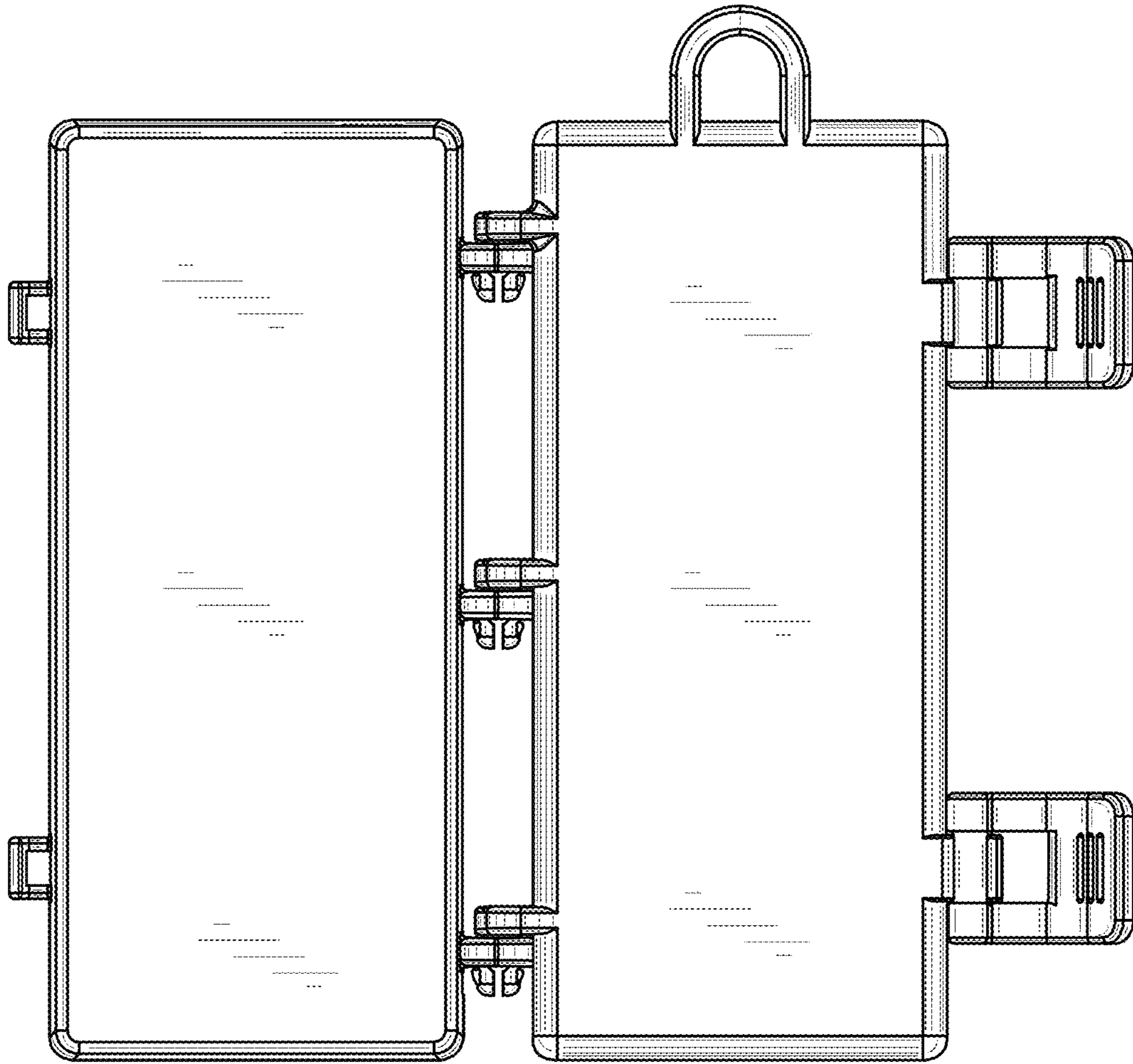


FIG. 5

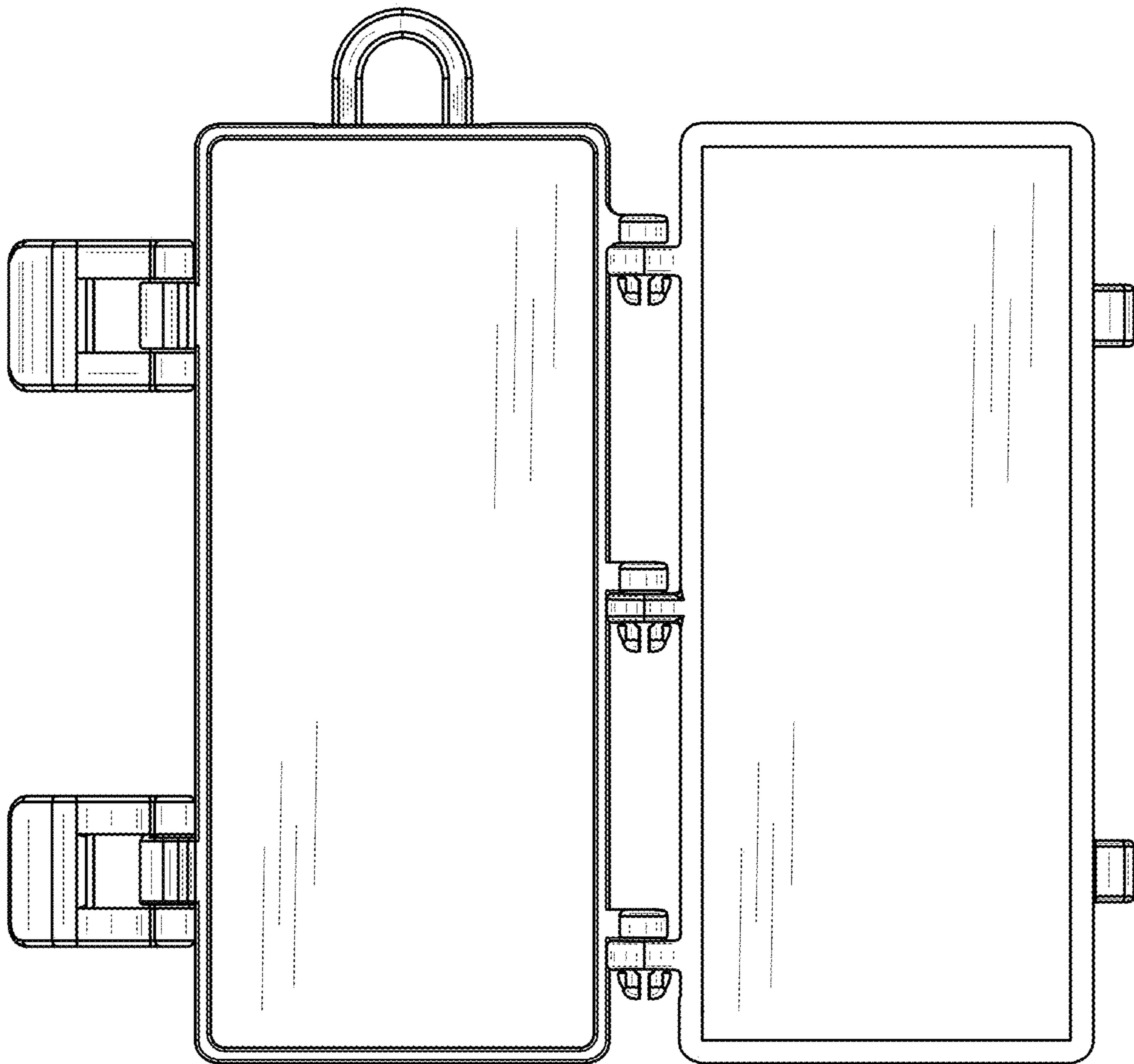


FIG. 6



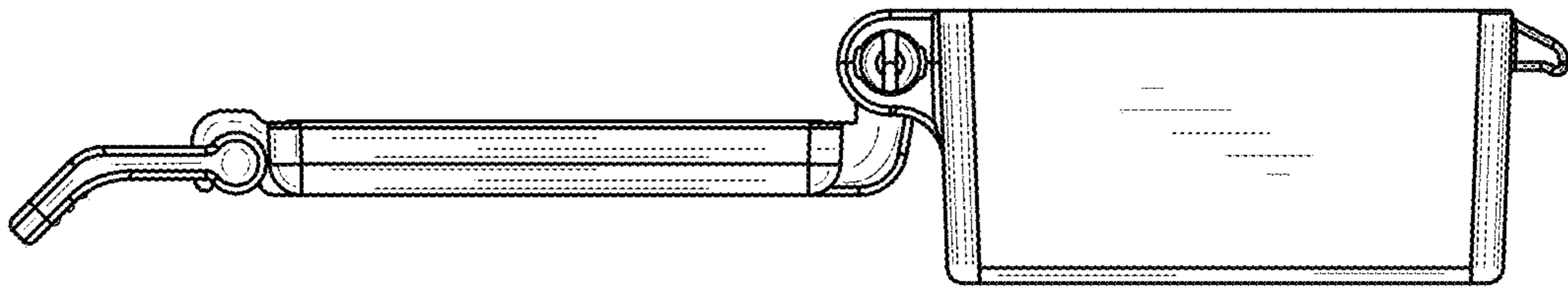


FIG. 7

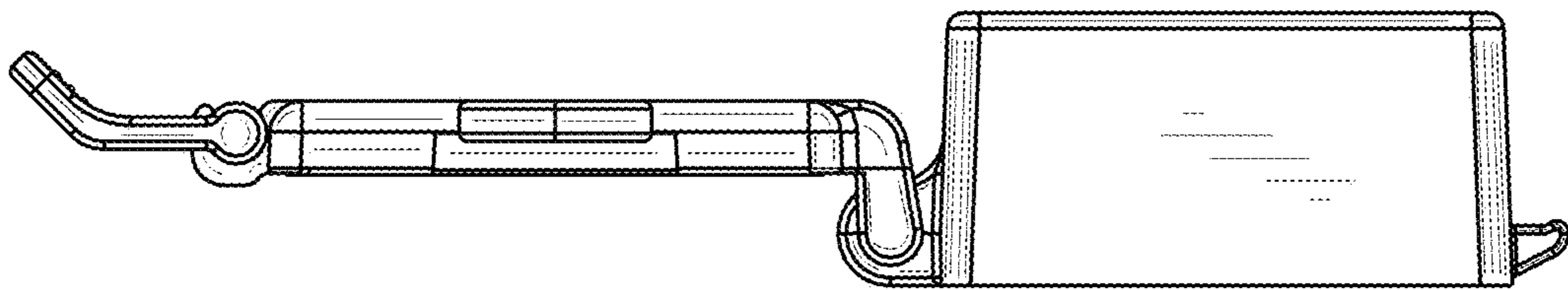


FIG. 8