



US00D929332S

(12) **United States Design Patent** (10) **Patent No.:** **US D929,332 S**  
**Ciochina et al.** (45) **Date of Patent:** **\*\* Aug. 31, 2021**

(54) **ELECTRICAL GENERATOR**

(56) **References Cited**

(71) Applicant: **Cummins Generator Technologies Limited**, Peterborough (GB)

U.S. PATENT DOCUMENTS

(72) Inventors: **Daniel Ciochina**, Peterborough (GB); **Mihai Cristian Ilinca**, Peterborough (GB); **Silviu Ionut Nanau**, Peterborough (GB); **Viorel Visan**, Peterborough (GB); **Paul Camil Stirbu**, Peterborough (GB); **Stefan Laurentiu Simion**, Peterborough (GB)

D295,621 S \* 5/1988 Lent ..... D13/114  
D574,325 S \* 8/2008 Naghshineh ..... D13/114  
D618,615 S \* 6/2010 Basic ..... D13/114  
7,965,005 B2 \* 6/2011 Schmidt ..... H02K 7/1025  
310/71  
D712,354 S \* 9/2014 Veeh ..... D13/112  
D772,814 S \* 11/2016 Rivault ..... D13/114  
D780,119 S \* 2/2017 Schieck ..... D13/112  
D794,563 S \* 8/2017 Matta ..... D13/114

(73) Assignee: **Cummins Generator Technologies Limited**, Peterborough (GB)

\* cited by examiner

(\*\*) Term: **15 Years**

*Primary Examiner* — Derrick E Holland

(21) Appl. No.: **29/711,731**

(74) *Attorney, Agent, or Firm* — Foley & Lardner LLP

(22) Filed: **Nov. 1, 2019**

(57) **CLAIM**

(30) **Foreign Application Priority Data**

We claim the ornamental design for an electrical generator, as shown and described.

May 3, 2019 (EM) ..... 6414348-0003

(51) **LOC (13) Cl.** ..... **13-01**

**DESCRIPTION**

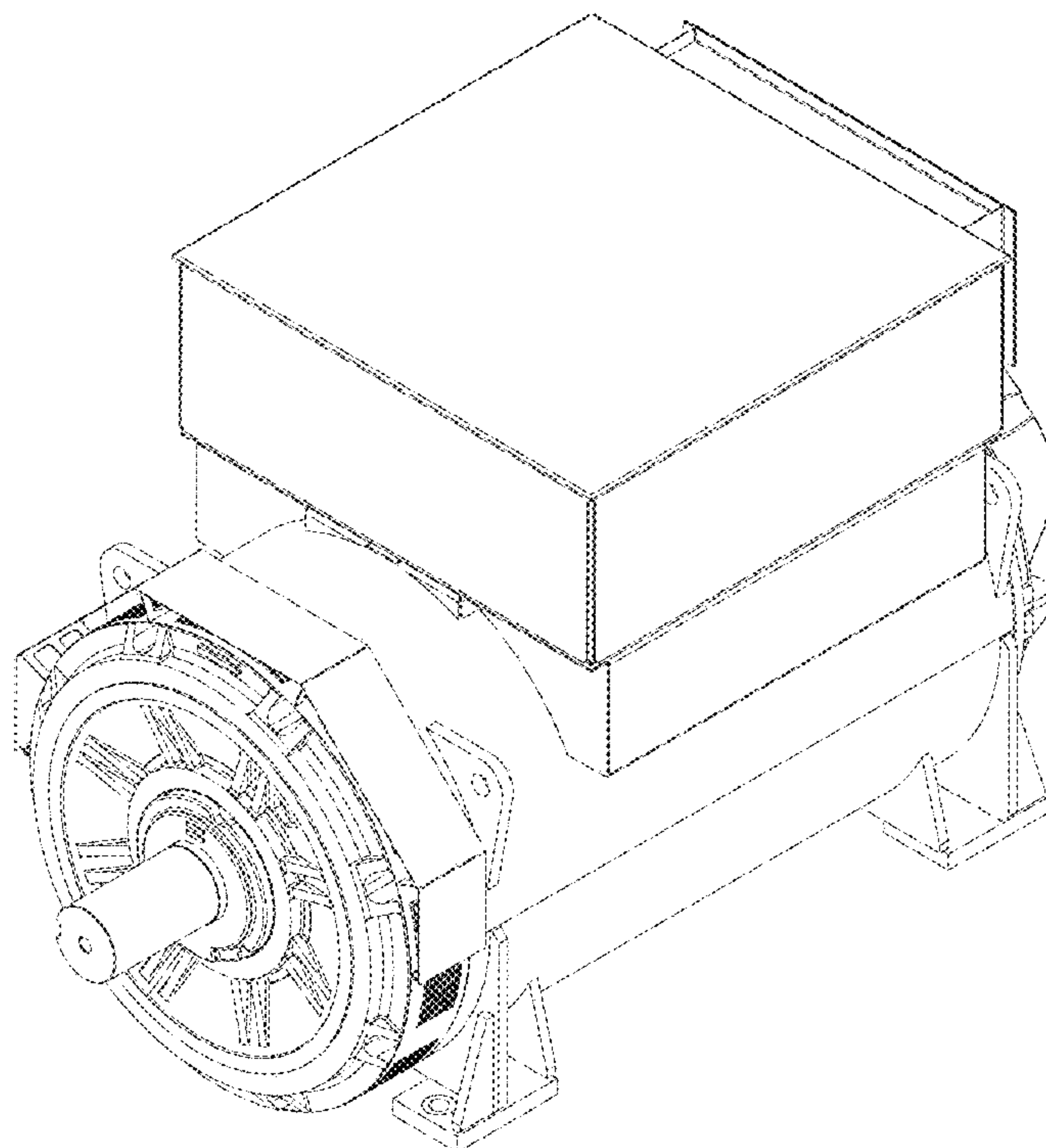
(52) **U.S. Cl.**  
USPC ..... **D13/114**

(58) **Field of Classification Search**  
USPC ..... D13/101, 112, 113, 114, 117, 118, 120,  
D13/122, 199; D15/1, 3, 5, 199;  
D23/370, 377

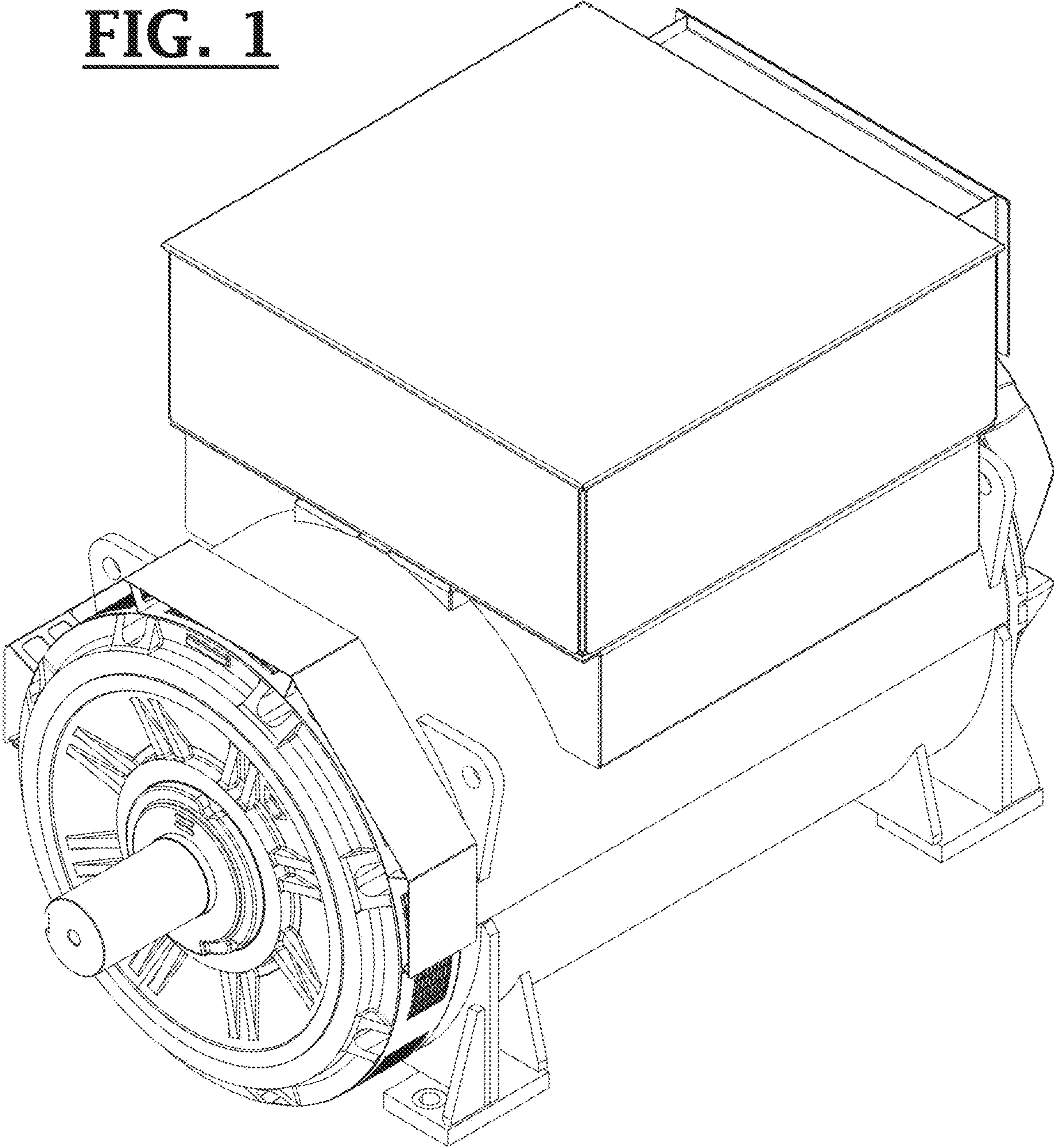
FIG. 1 is a top, front, left isometric view of an electrical generator showing our new design;  
FIG. 2 is a front elevational view thereof;  
FIG. 3 is a rear elevational view thereof;  
FIG. 4 is a right side elevational view thereof;  
FIG. 5 is a left side elevational view thereof;  
FIG. 6 is a bottom plan view thereof; and,  
FIG. 7 is a top plan view thereof.

CPC . F02B 63/04; H02K 3/24; H02K 3/47; H02K 1/12; H02K 5/02; H02K 5/04; H02K 5/08; H02K 5/18; H02K 5/20; H02K 11/0094; H02K 9/06; H02K 9/14  
See application file for complete search history.

**1 Claim, 7 Drawing Sheets**

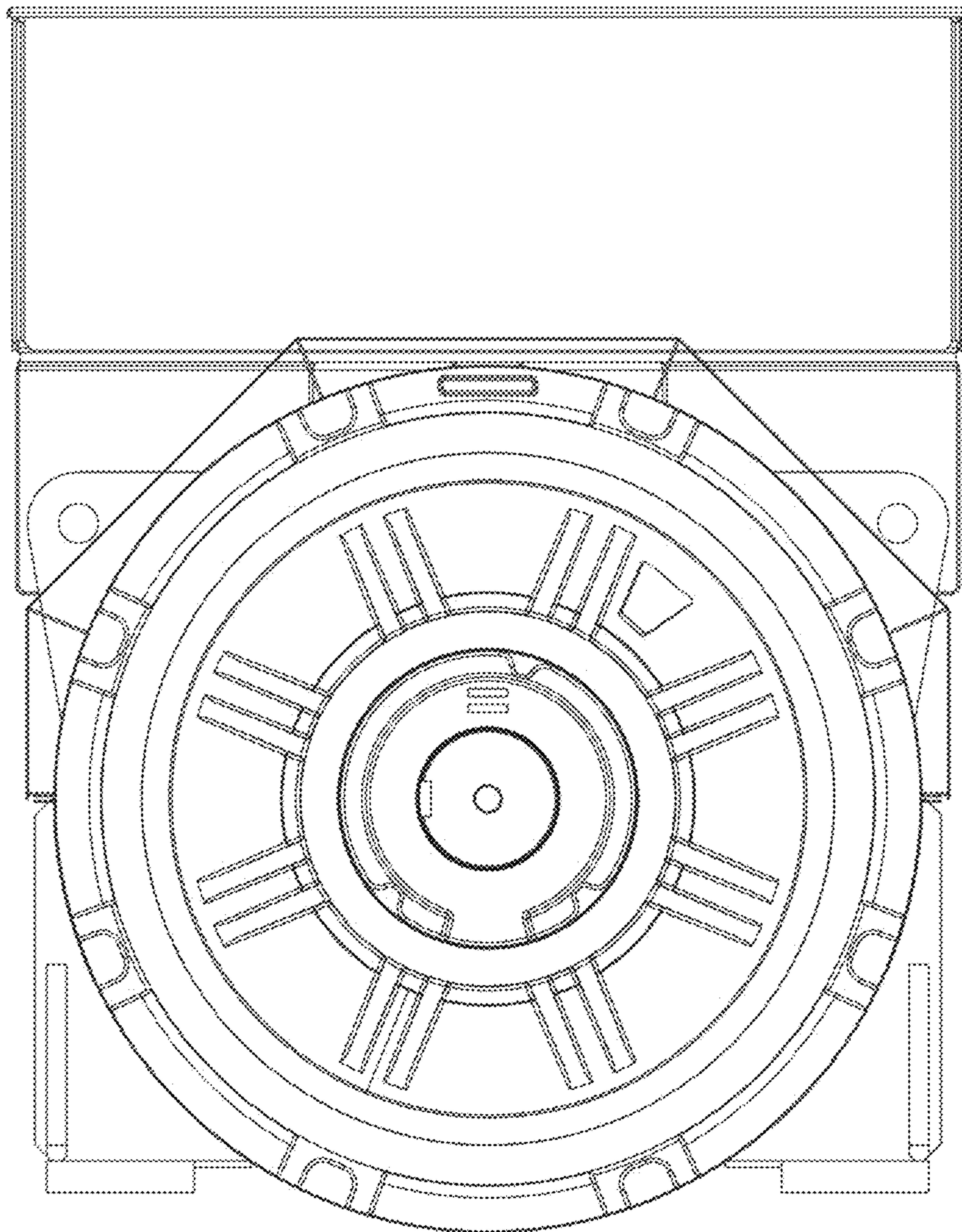


**FIG. 1**

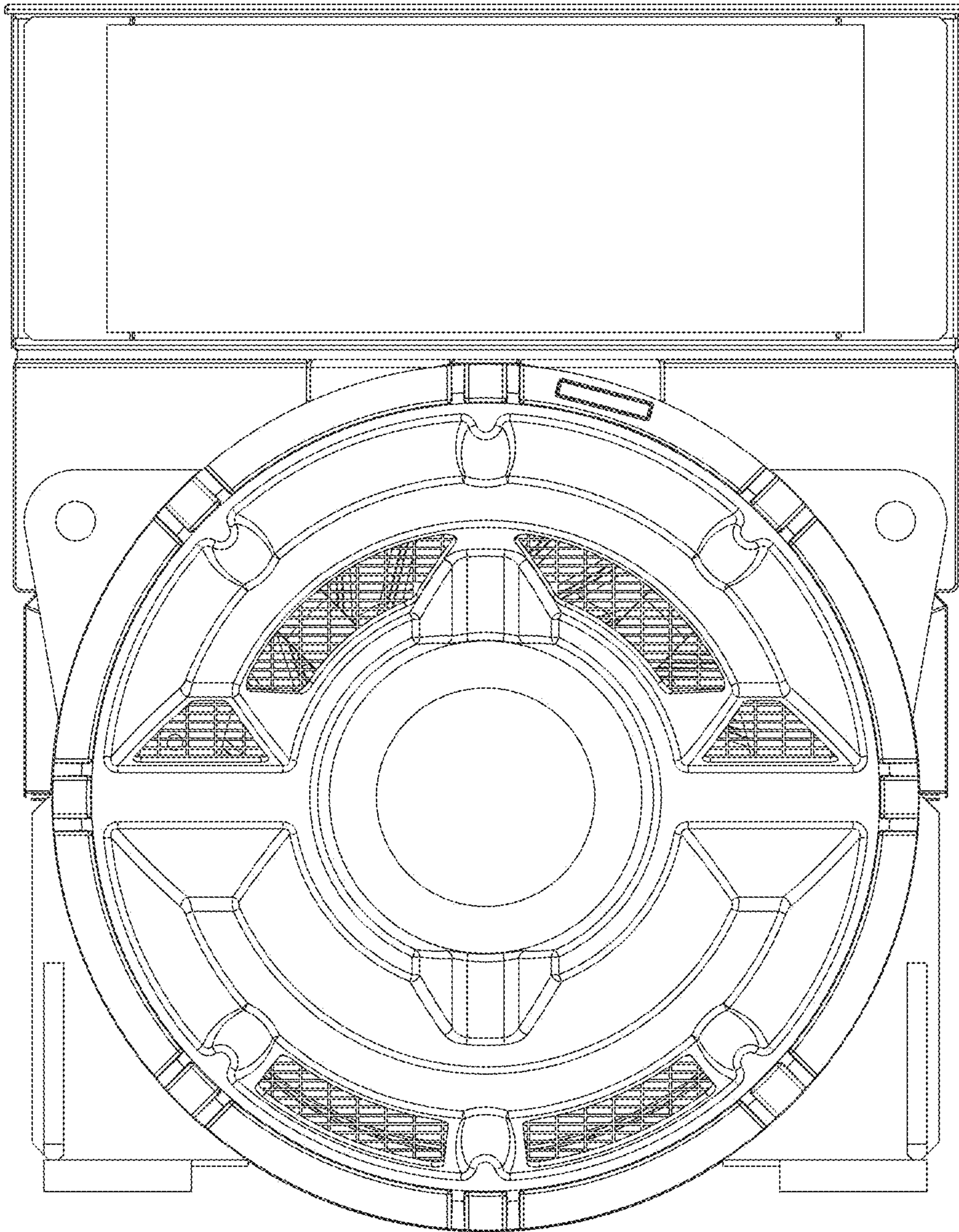




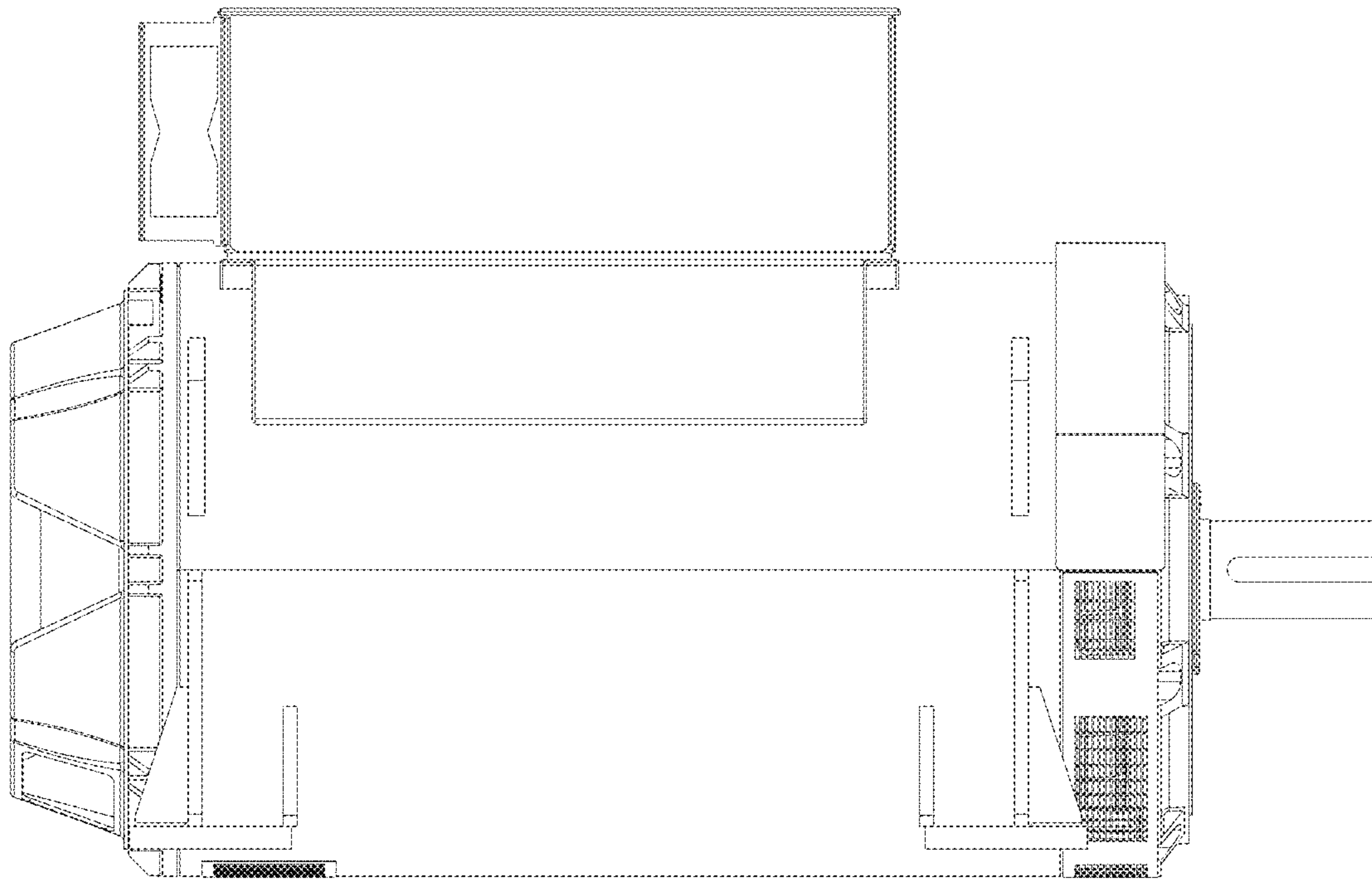
**FIG. 2**



**FIG. 3**

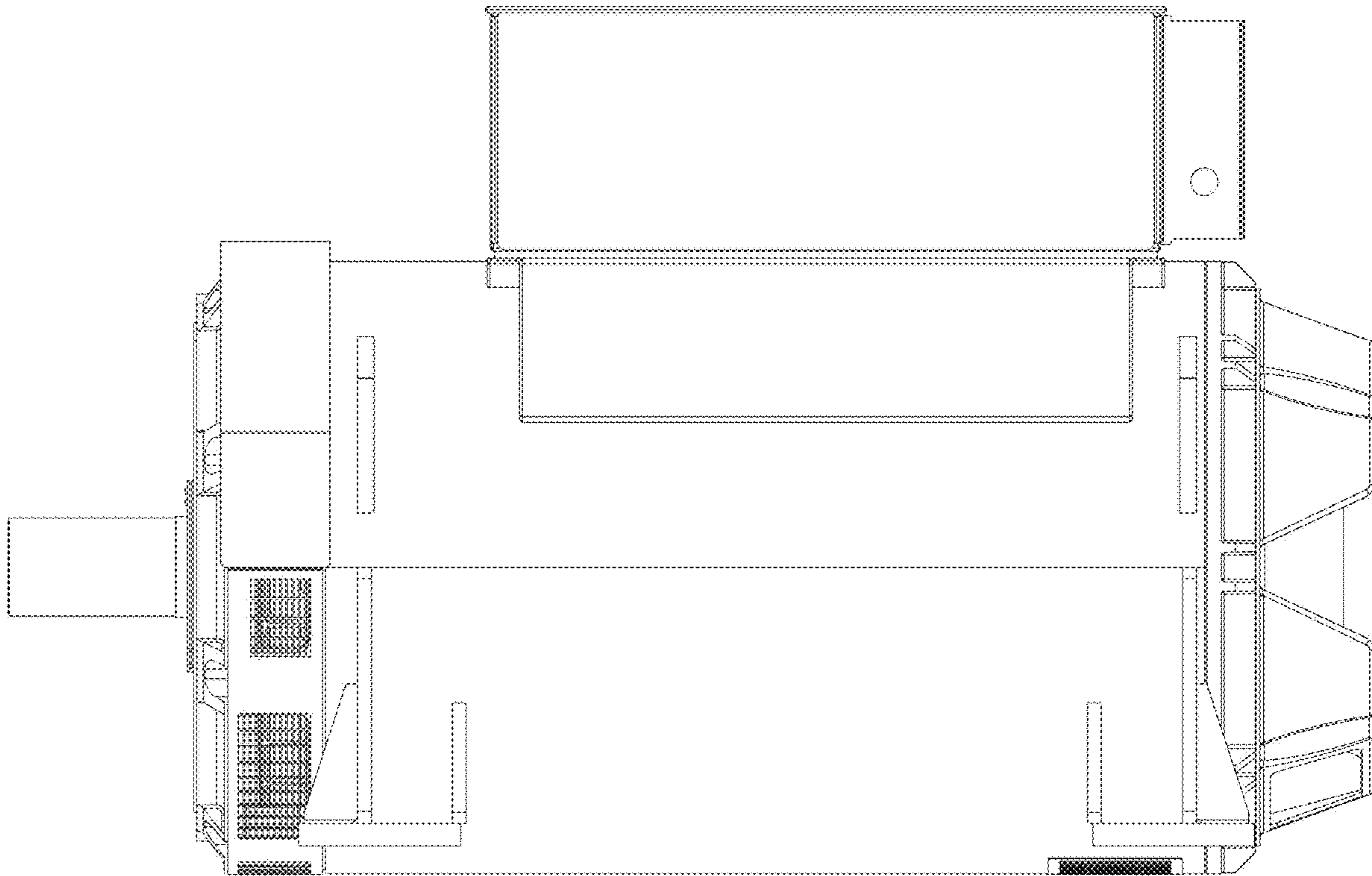


**FIG. 4**

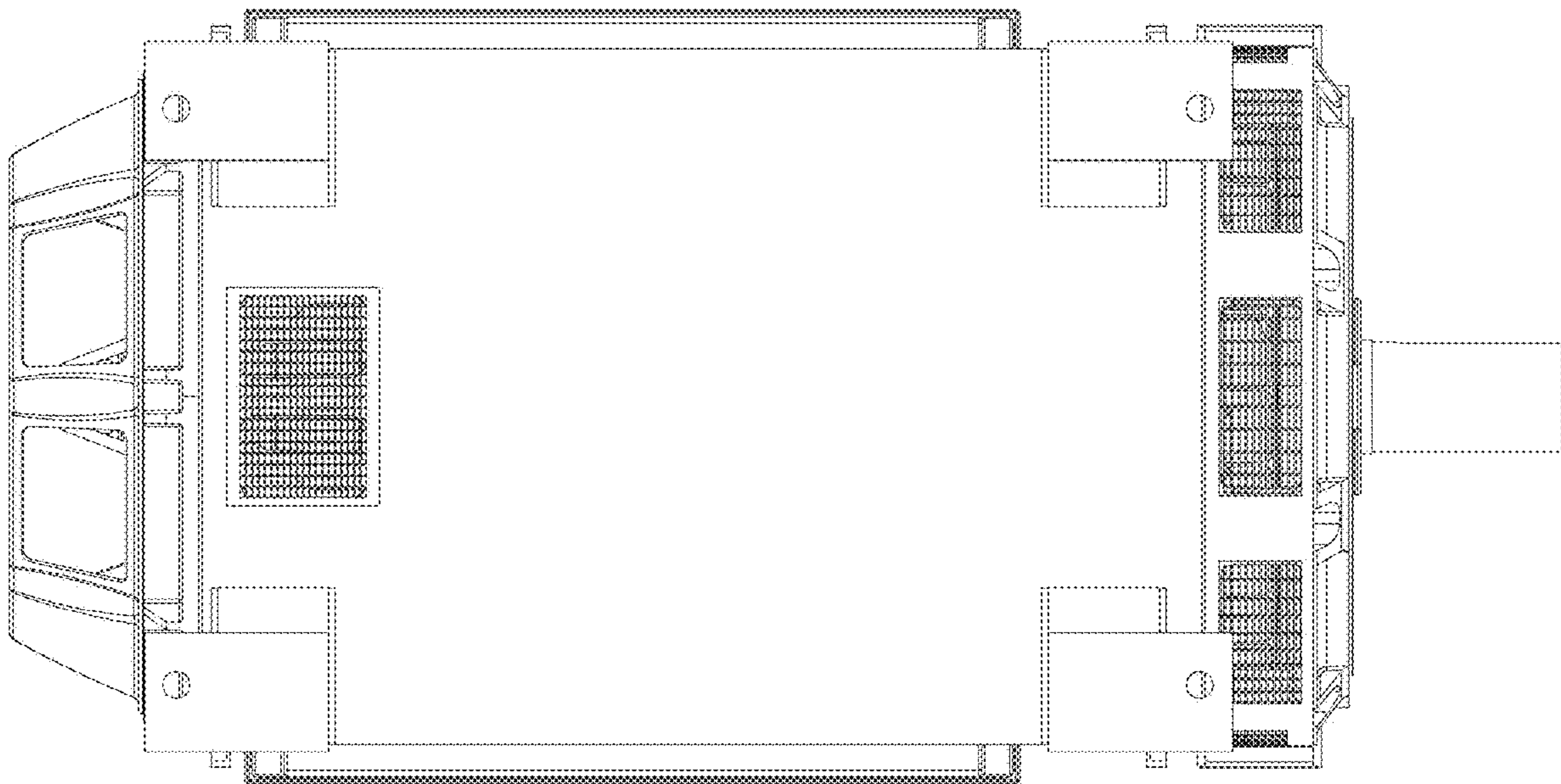




**FIG. 5**



**FIG. 6**



**FIG. 7**

