



US00D929331S

(12) **United States Design Patent** (10) **Patent No.:** **US D929,331 S**
Wolff (45) **Date of Patent:** **** Aug. 31, 2021**

- (54) **TIDE POWERED ELECTRICITY GENERATING SYSTEM**
- (71) Applicant: **James L. Wolff**, Pompano Beach, FL (US)
- (72) Inventor: **James L. Wolff**, Pompano Beach, FL (US)
- (**) Term: **15 Years**
- (21) Appl. No.: **29/773,082**
- (22) Filed: **Mar. 6, 2021**
- (51) **LOC (13) Cl.** **13-01**
- (52) **U.S. Cl.**
USPC **D13/112**
- (58) **Field of Classification Search**
USPC D13/101, 112, 114, 115, 118, 122, 184, D13/199; D15/7; D23/200
CPC F03B 13/00; F03B 13/08; H02K 7/1807; Y02E 10/20; Y02E 10/28; Y02E 10/223; F05B 2220/20
See application file for complete search history.

(56) **References Cited**

U.S. PATENT DOCUMENTS

5,362,987	A *	11/1994	Cassaday	F15C 1/22 137/826
6,559,553	B2 *	5/2003	Yumita	H02K 7/1823 290/54
D671,492	S *	11/2012	Bestaven	D13/114
9,803,614	B2 *	10/2017	Williams	H02K 7/1807
D822,790	S *	7/2018	Tieleman	D23/200
D900,742	S *	11/2020	Casey	D13/112
2011/0120109	A1 *	5/2011	McGillis	F03B 17/06 60/502
2014/0159372	A1 *	6/2014	Widmer	F03B 13/00 290/54
2014/0161642	A1 *	6/2014	Rajadhyaksha	F03B 17/063 417/334

* cited by examiner

Primary Examiner — Derrick E Holland
(74) *Attorney, Agent, or Firm* — Nancy J. Flint, Attorney At Law, P.A.; Nancy J. Flint, Esq.

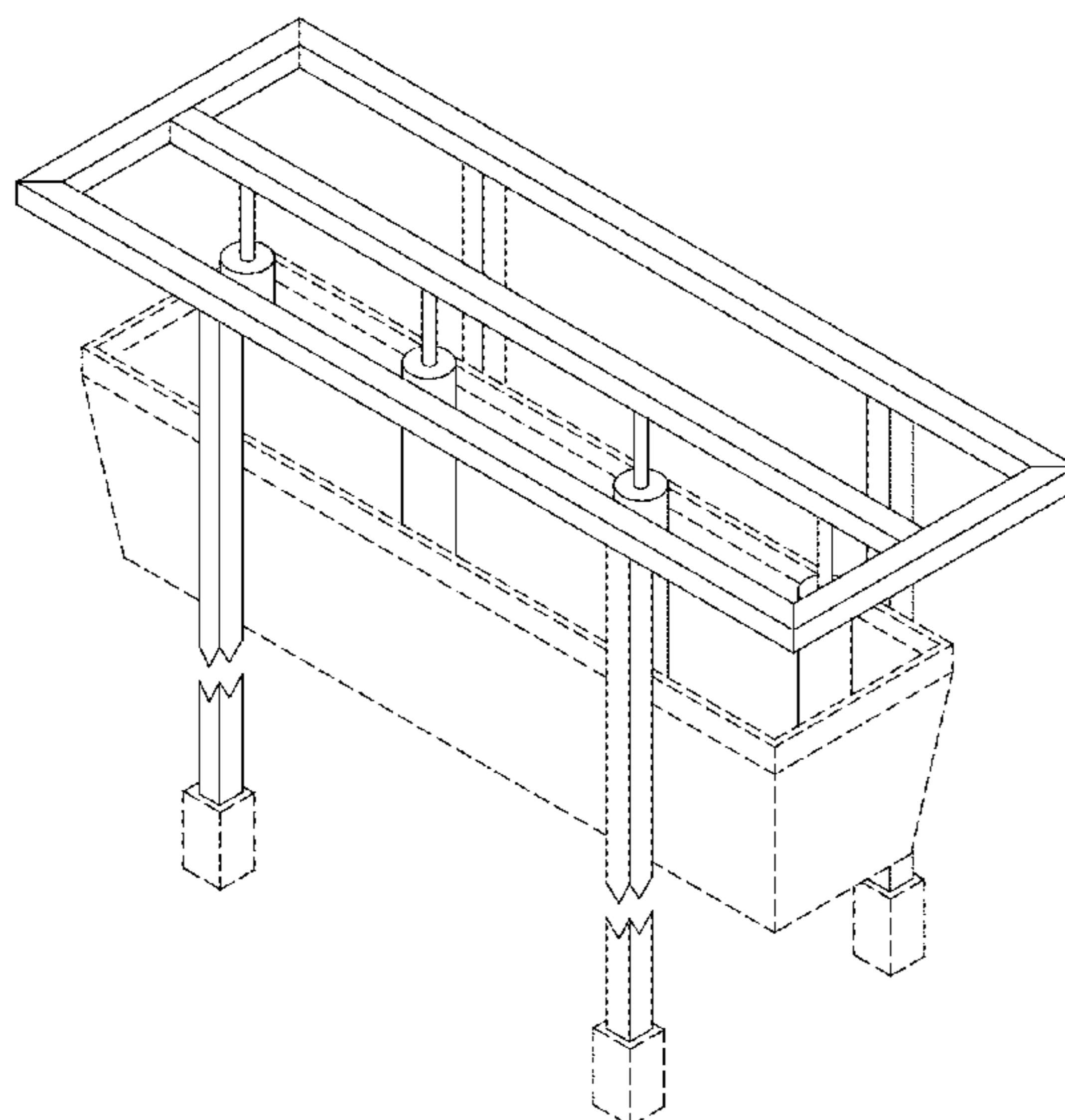
(57) **CLAIM**

The ornamental design for a tide powered electricity generating system, as shown and described.

DESCRIPTION

FIG. 1 is a perspective view of a tide powered electricity generating system showing my new design;
FIG. 2 is a left side view of the tide powered electricity generating system;
FIG. 3 is a top view of the tide powered electricity generating system;
FIG. 4 is a front view of the tide powered electricity generating system;
FIG. 5 is a left side cross-section view along Line 5-5 of FIG. 3 depicting the tide powered electricity generating system in a high tide position;
FIG. 6 is a front cross-section view along Line 6-6 of FIG. 3 depicting the tide powered electricity generating system in a high tide position;
FIG. 7 is a front cross-section view along Line 7-7 of FIG. 3 depicting the tide powered electricity generating system in a low tide position; and,
FIG. 8 is a left side cross-section view along Line 8-8 of FIG. 3 depicting the tide powered electricity generating system in a low tide position.
The right side view not shown is a mirror image of the left side view. The rear view not shown is a mirror image of the front view. The bottom view not shown does not form a part of the design sought to be patented. The broken lines shown represent environmental subject matter and form no part of the claimed design. Portions of the tide powered electricity generating system are shown with a symbolic break in its length. The appearance of any portion of the article between the break lines forms no part of the claimed design.

1 Claim, 7 Drawing Sheets



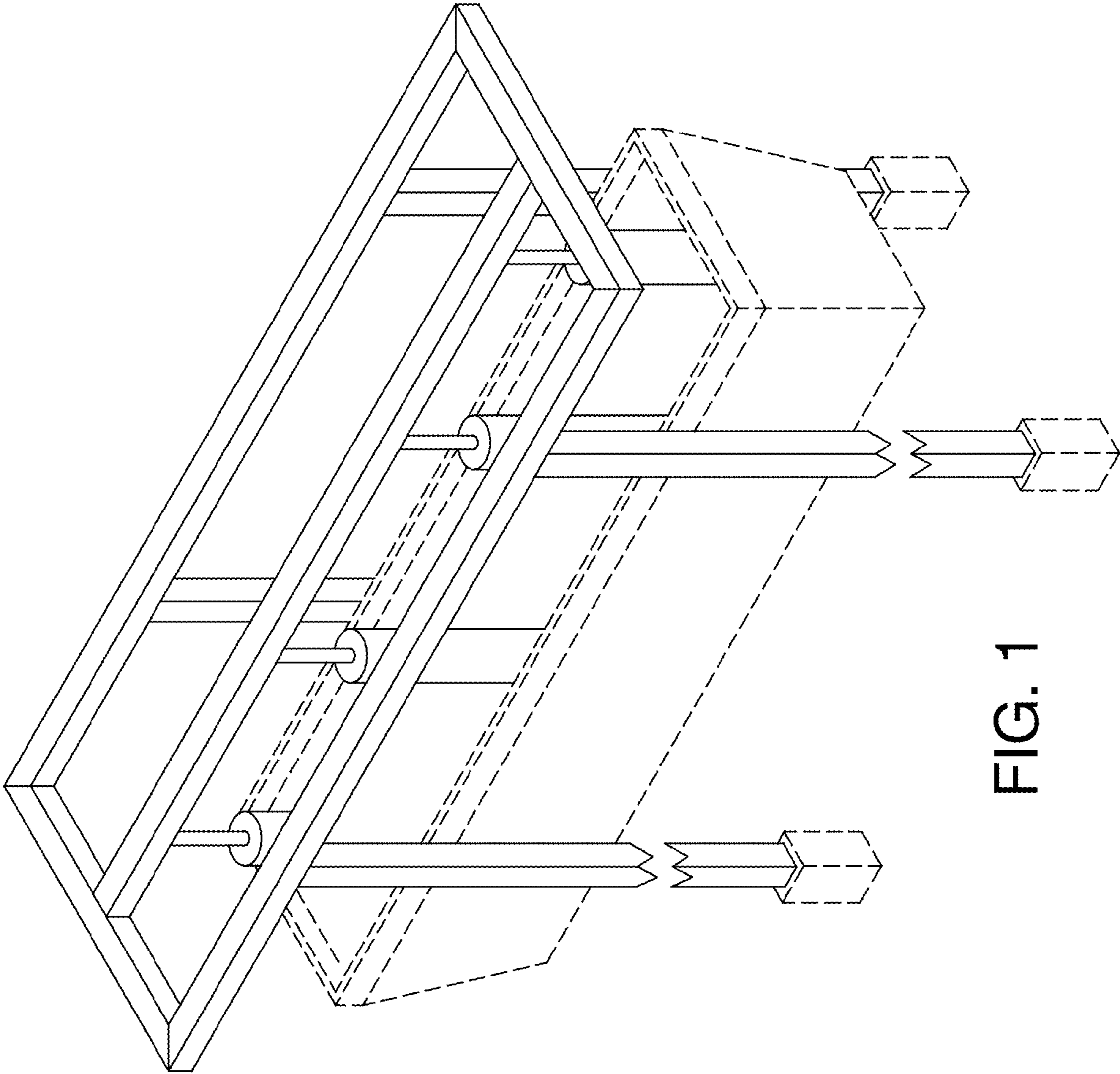


FIG. 1

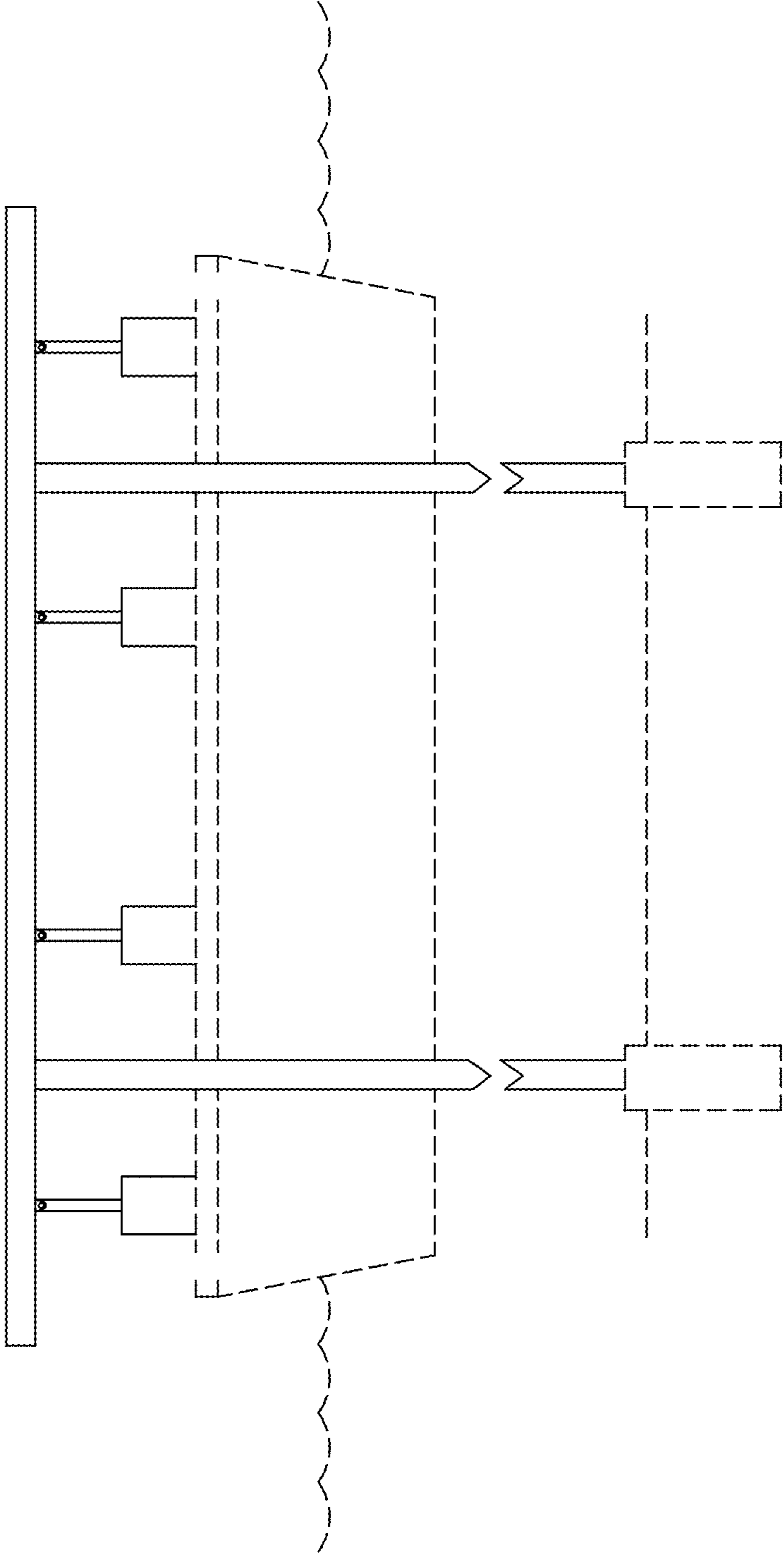


FIG. 2

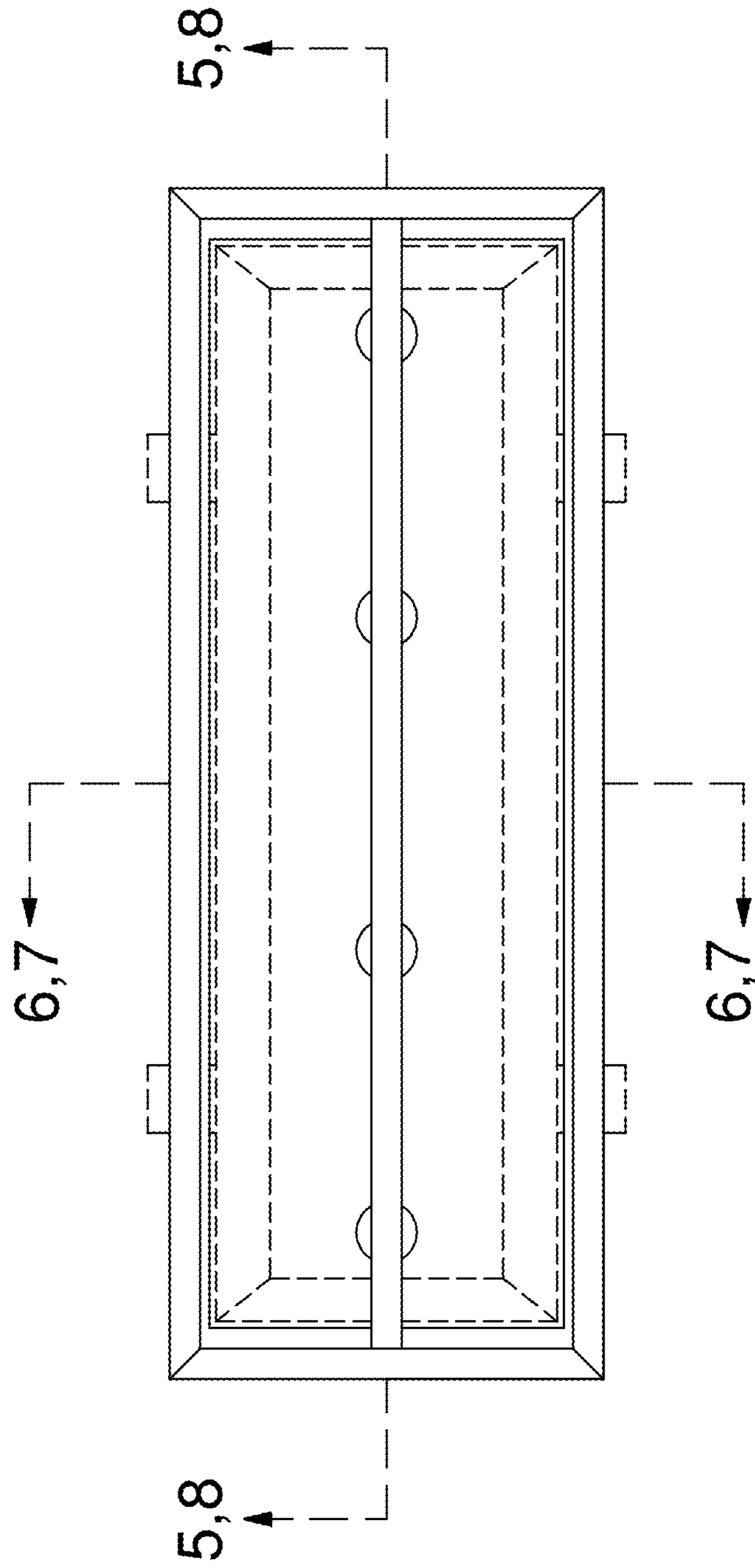


FIG. 3

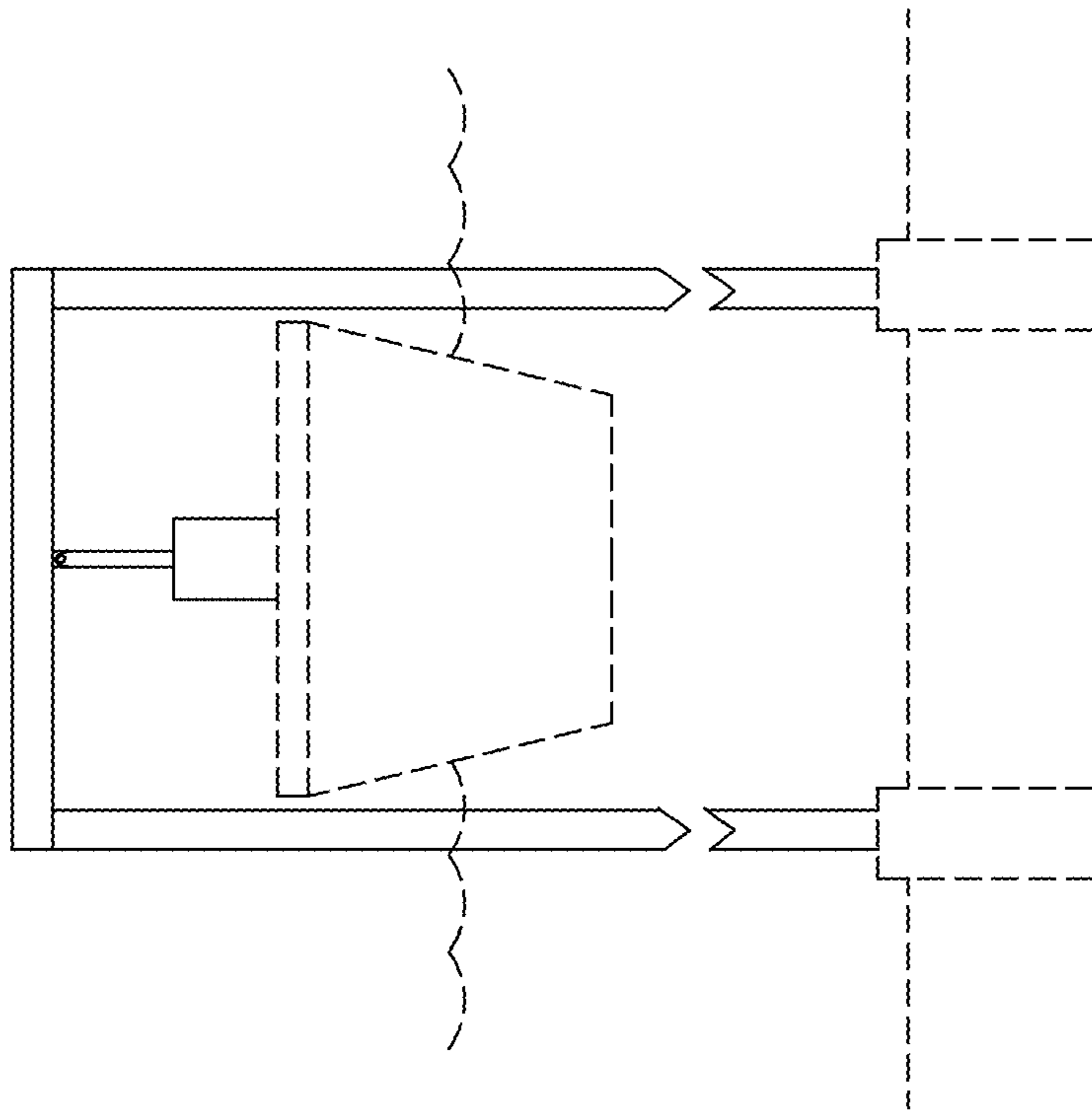


FIG. 4

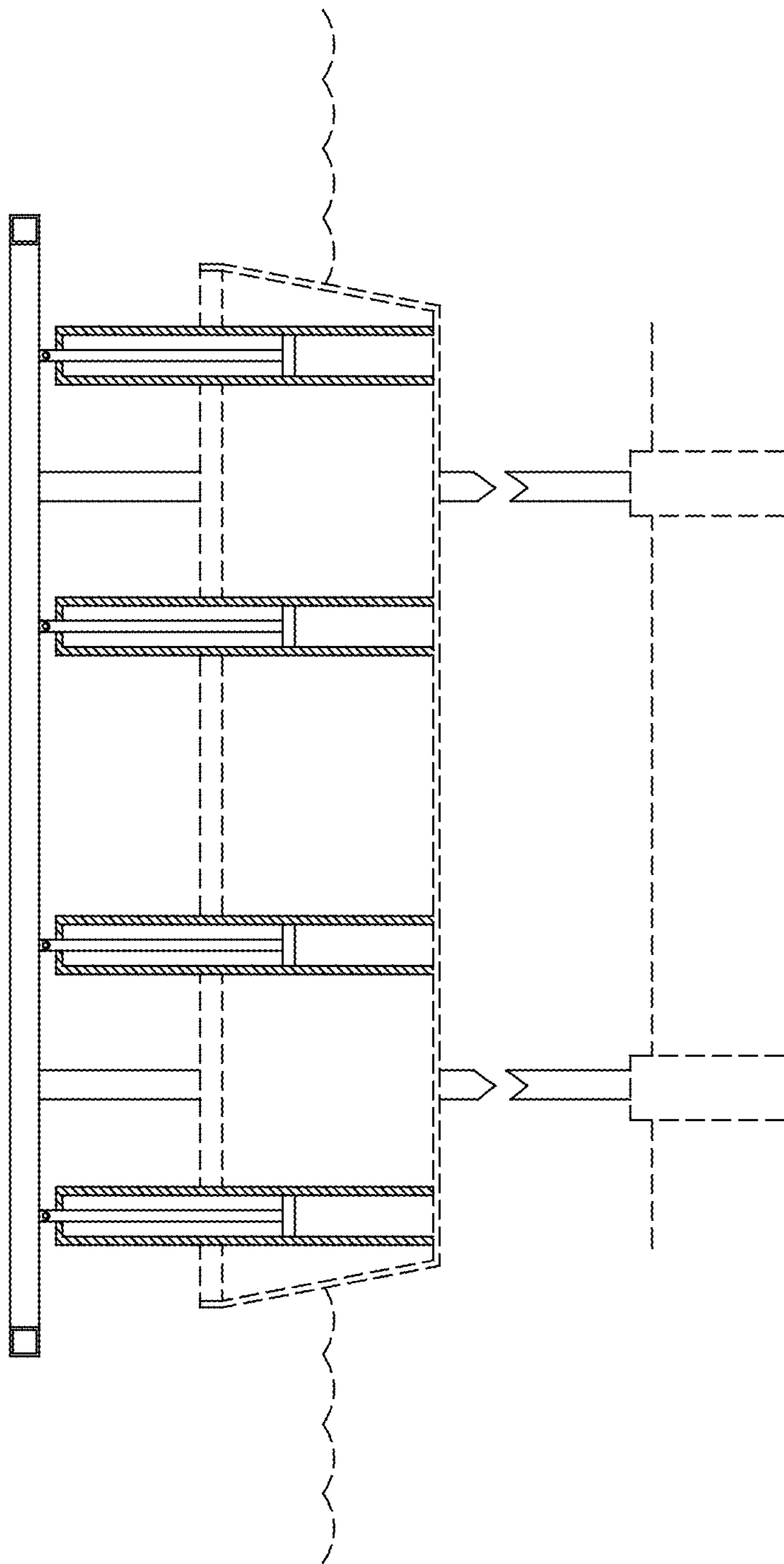


FIG. 5

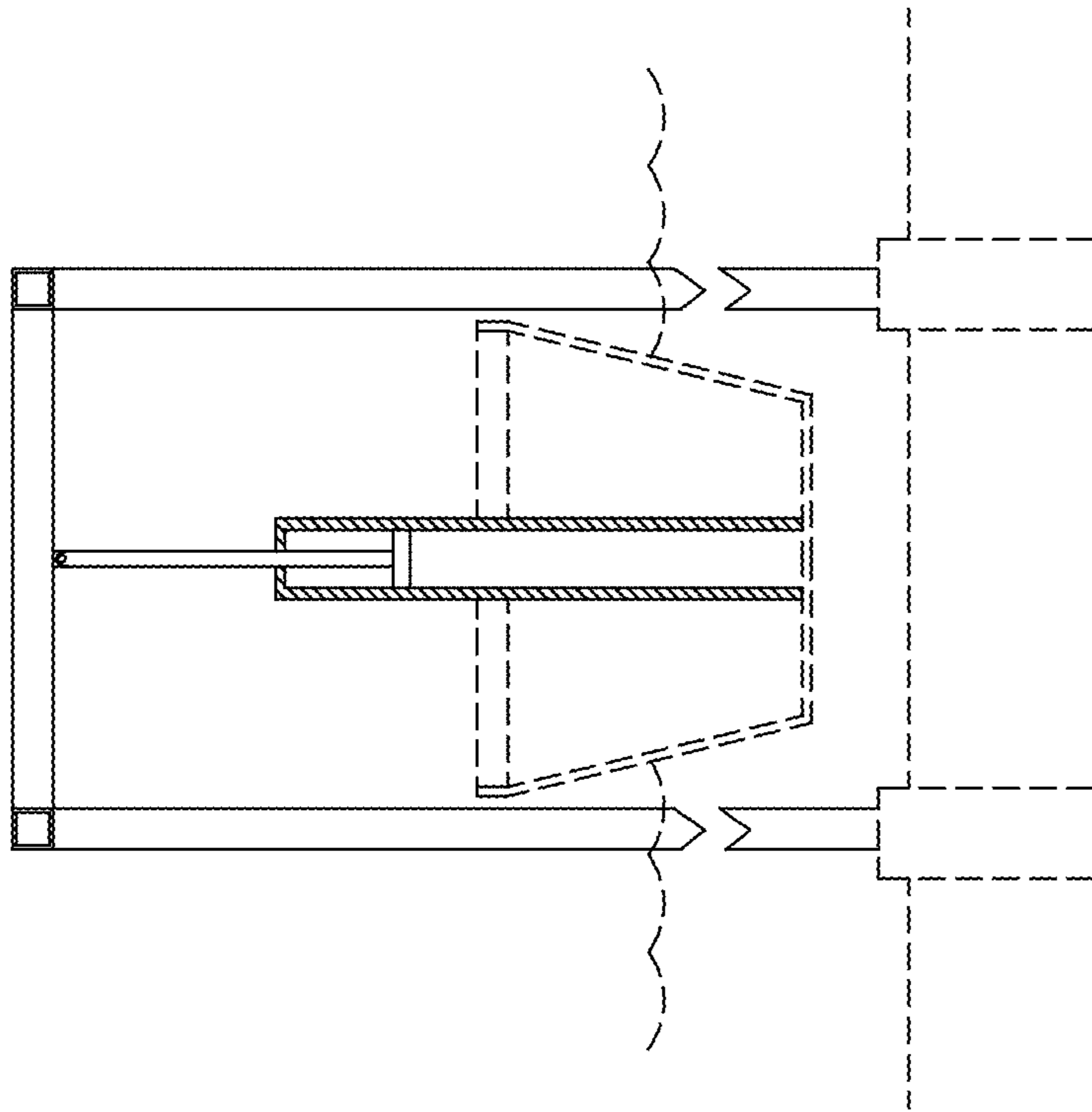


FIG. 6

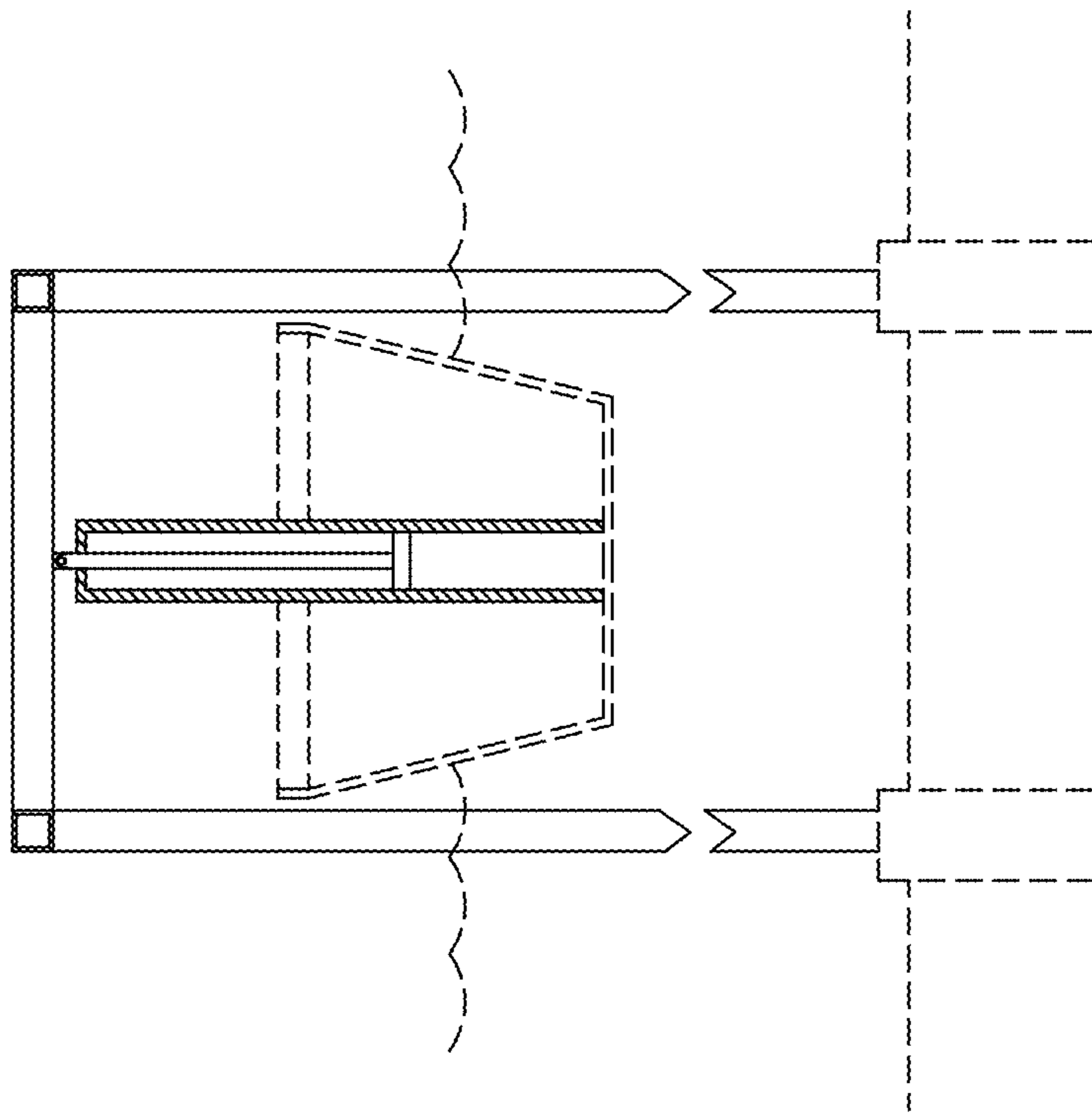


FIG. 7

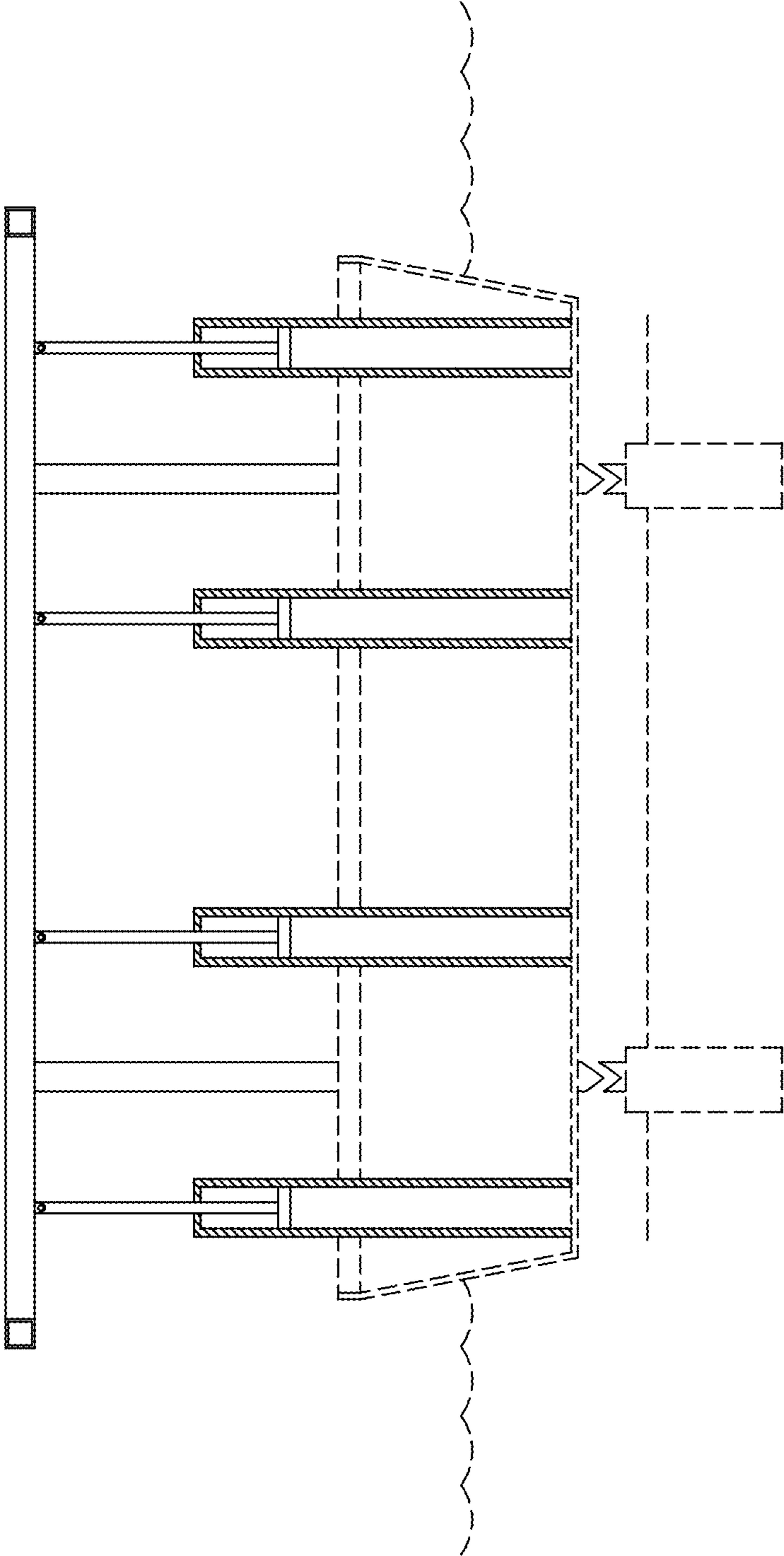


FIG. 8