



US00D929330S

(12) **United States Design Patent**  
**Pauken et al.**

(10) **Patent No.:** **US D929,330 S**

(45) **Date of Patent:** **\*\* Aug. 31, 2021**

(54) **PARALLEL LINKAGE FOR INVERTER GENERATORS**

(71) Applicant: **Champion Power Equipment, Inc.**,  
Santa Fe Springs, CA (US)

(72) Inventors: **Greg R. Pauken**, Santa Fe Springs, CA  
(US); **Scott M. Stefaniak**, Santa Fe  
Springs, CA (US); **Christina Y.**  
**Prestidge-Kadrlik**, Santa Fe Springs,  
CA (US)

(73) Assignee: **CHAMPION POWER EQUIPMENT,**  
**INC.**, Santa Fe Springs, CA (US)

(\*\*) Term: **15 Years**

(21) Appl. No.: **29/667,353**

(22) Filed: **Oct. 19, 2018**

(51) **LOC (13) Cl.** ..... **13-01**

(52) **U.S. Cl.**  
USPC ..... **D13/112**

(58) **Field of Classification Search**  
USPC ..... D13/110, 107, 108, 118, 123, 162, 164,  
D13/168, 169, 174, 177, 184, 199;  
D14/257, 432, 438  
CPC ..... H05K 5/00; H05K 5/02; H05K 5/0247;  
H05K 7/00; H05K 7/20; H05K 7/20136;  
H05K 7/20154; H05K 7/209; H05K  
7/1417; H05K 7/1427; H05K 7/20918;  
H02M 7/00; H02M 7/003; H02J 7/0042  
See application file for complete search history.

(56) **References Cited**

**U.S. PATENT DOCUMENTS**

D655,245 S \* 3/2012 Itoh ..... D13/110  
8,391,012 B2 3/2013 Trine et al.  
9,190,848 B2 11/2015 Collie

D806,027 S \* 12/2017 Ceravalo ..... D13/110  
D810,018 S \* 2/2018 Ceravalo ..... D13/110  
D818,953 S \* 5/2018 Xu ..... D13/110  
D826,154 S \* 8/2018 Ceravalo ..... D13/110  
D870,667 S \* 12/2019 James ..... D13/110  
D875,681 S \* 2/2020 Xu ..... D13/110  
D885,340 S \* 5/2020 Shum ..... D13/110  
D887,356 S \* 6/2020 Li ..... D13/110  
D890,699 S \* 7/2020 Feng ..... D13/110  
D891,369 S \* 7/2020 Wu ..... D13/110

(Continued)

**OTHER PUBLICATIONS**

Inverter. (Design—© Questel) orbit.com. [online PDF] 48 pgs. Print  
Dates Range Sep. 4, 2020-Mar. 26, 2021 [Retrieved Apr. 8, 2021].\*

(Continued)

*Primary Examiner* — Brett Miller

*Assistant Examiner* — Suzanne E Tisdell

(74) *Attorney, Agent, or Firm* — Stetina Brunda Garred &  
Brucker

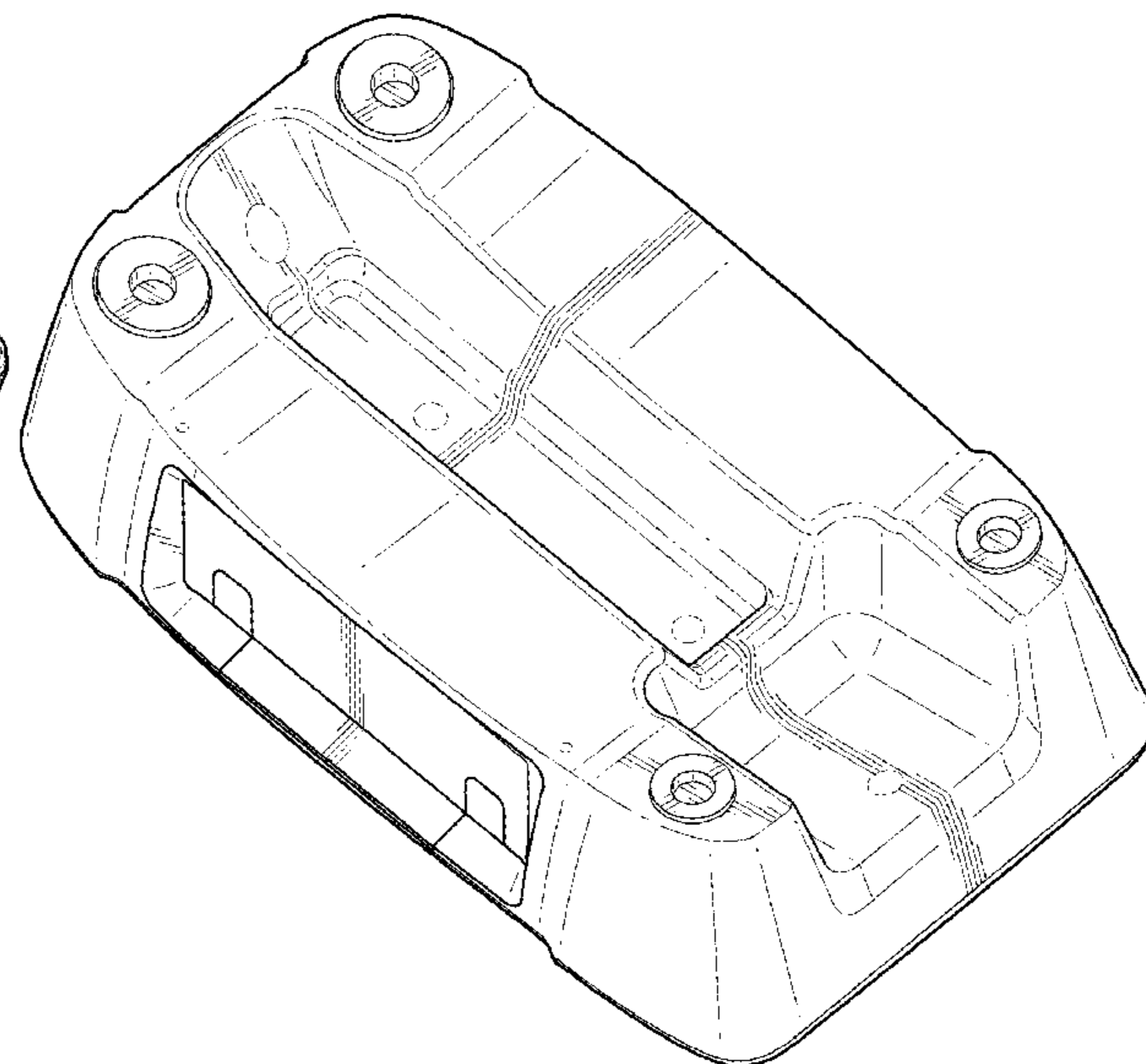
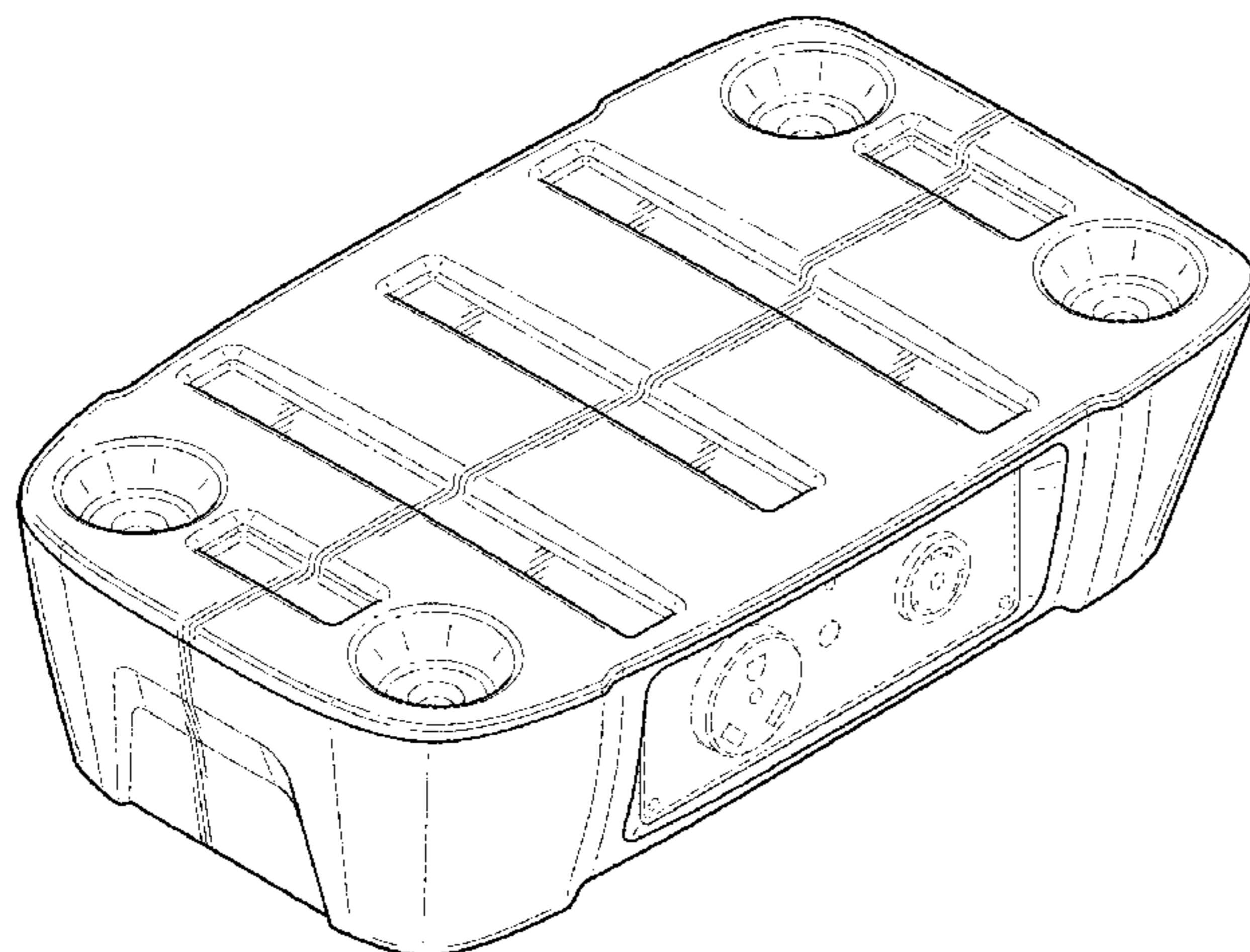
(57) **CLAIM**

The ornamental design for a parallel linkage for inverter  
generators, as shown and described.

**DESCRIPTION**

FIG. 1 is a top perspective view of a parallel linkage for  
inverter generators;  
FIG. 2 is a bottom perspective view of the parallel linkage  
of FIG. 1;  
FIG. 3 is a front view of the parallel linkage of FIG. 1  
FIG. 4 is a right side view of the parallel linkage of FIG. 3;  
FIG. 5 is a back view of the parallel linkage of FIG. 3;  
FIG. 6 is a left side view of the parallel linkage of FIG. 3;  
FIG. 7 is a top side view of the parallel linkage of FIG. 3;  
and,  
FIG. 8 is a bottom view of the parallel linkage of FIG. 3.

**1 Claim, 5 Drawing Sheets**



(56)

**References Cited**

U.S. PATENT DOCUMENTS

D910,555 S \* 2/2021 Shum ..... D13/110  
D914,598 S \* 3/2021 Tong ..... D13/110

OTHER PUBLICATIONS

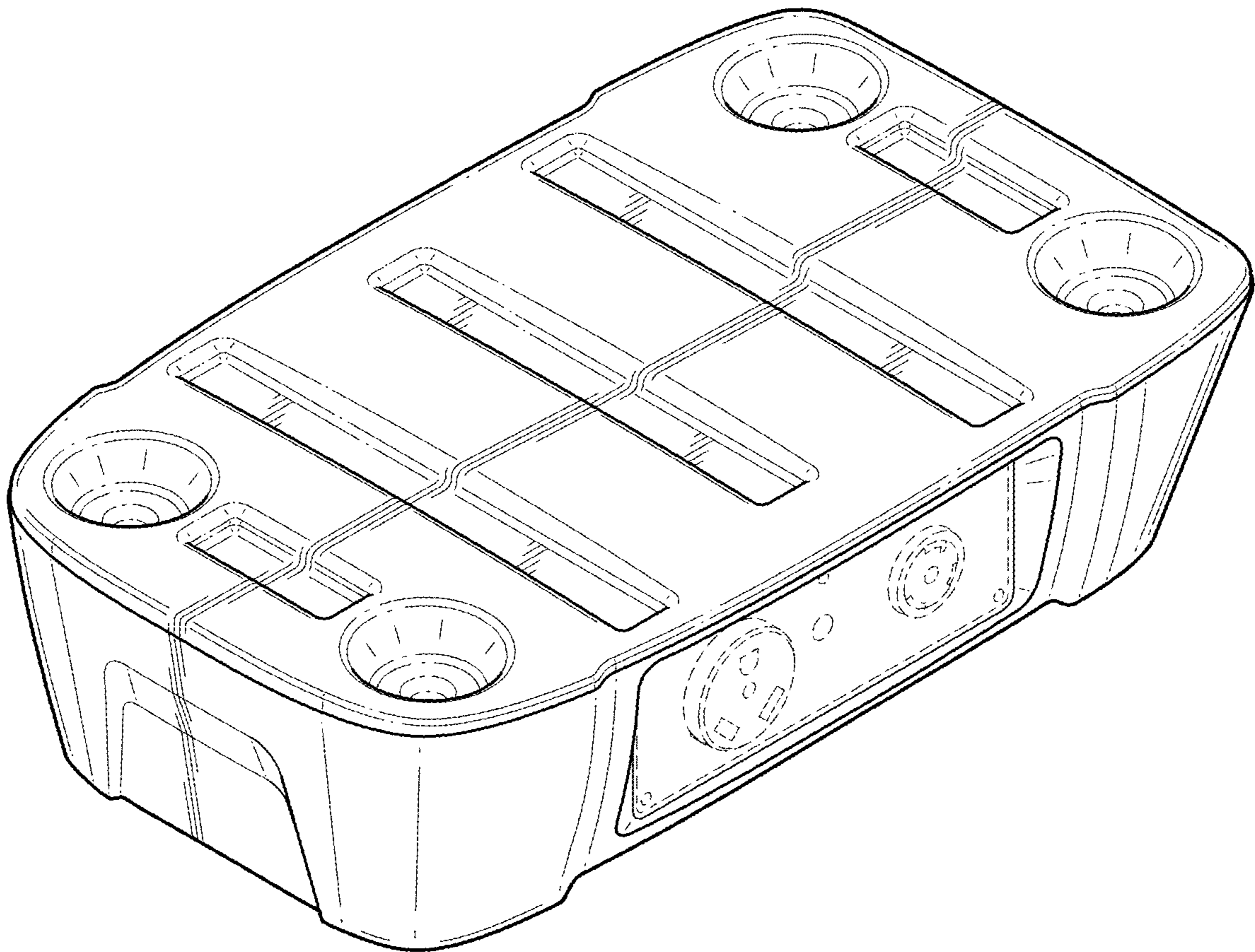
“30-Amp Parallel Kit.” 2016. Champion Power Equipment, <https://www.championpowerequipment.com/product/73500i-30-amp-parallel-kit/> (Year: 2016).\*

“Simicore Charging Station for Multiple Devices.” Aug. 29, 2016. Amazon, <https://www.amazon.com/Simicore-Charging-Station-Organizer-Smartphones/dp/B01L7WSUEM> (Year: 2016).\*

“RV Ready Parallel Kit 3 AMPS.” Dec. 3, 2016. Amazon. <https://www.amazon.com/Ready-Parallel-outlets-Weather-Resistant-housing/dp/B01MXU4QCU> (Year: 2016).\*

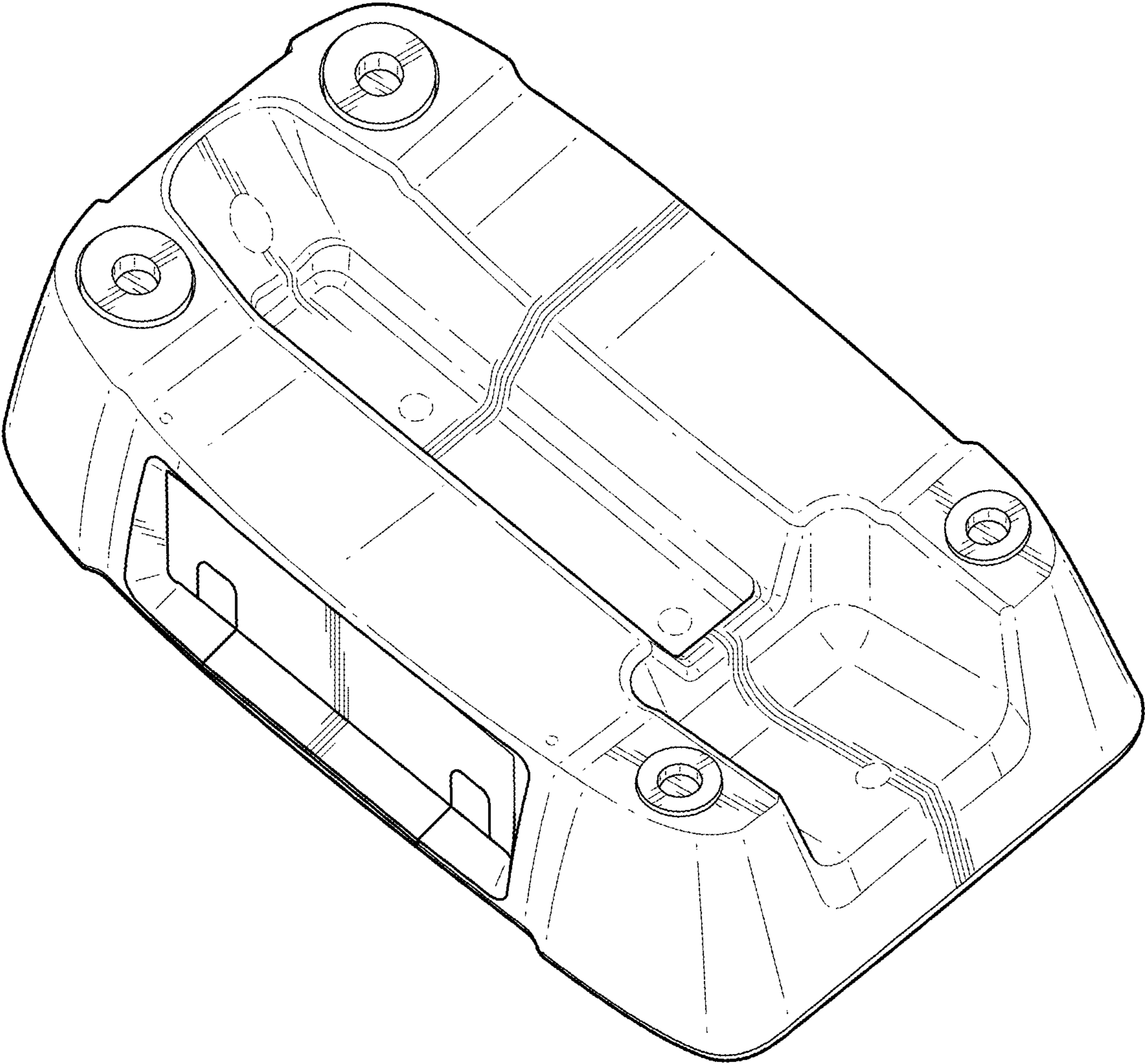
\* cited by examiner

**FIG. 1**

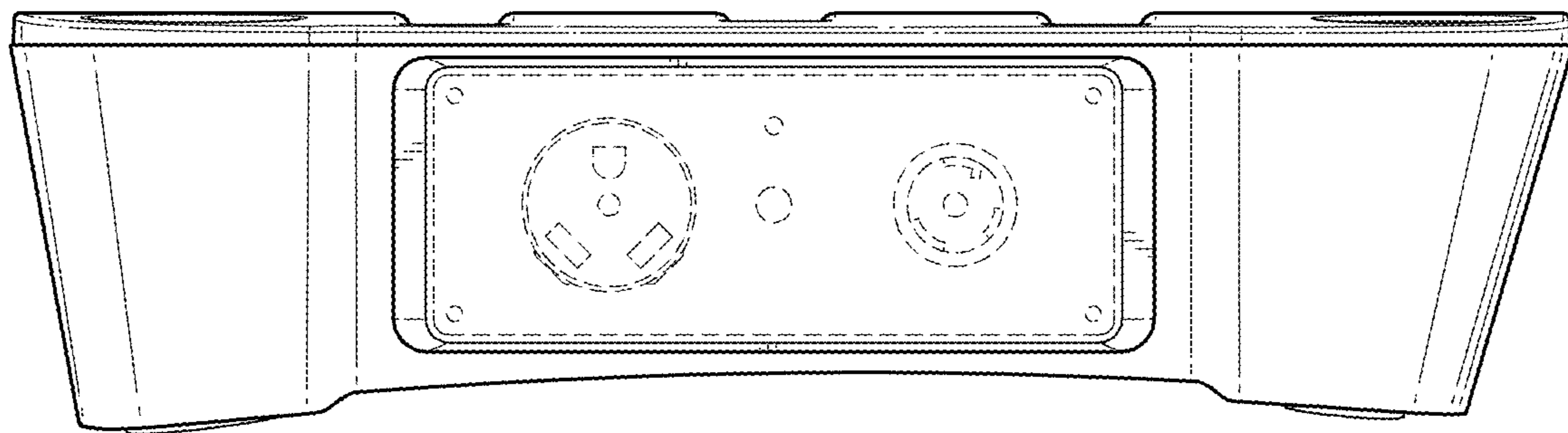




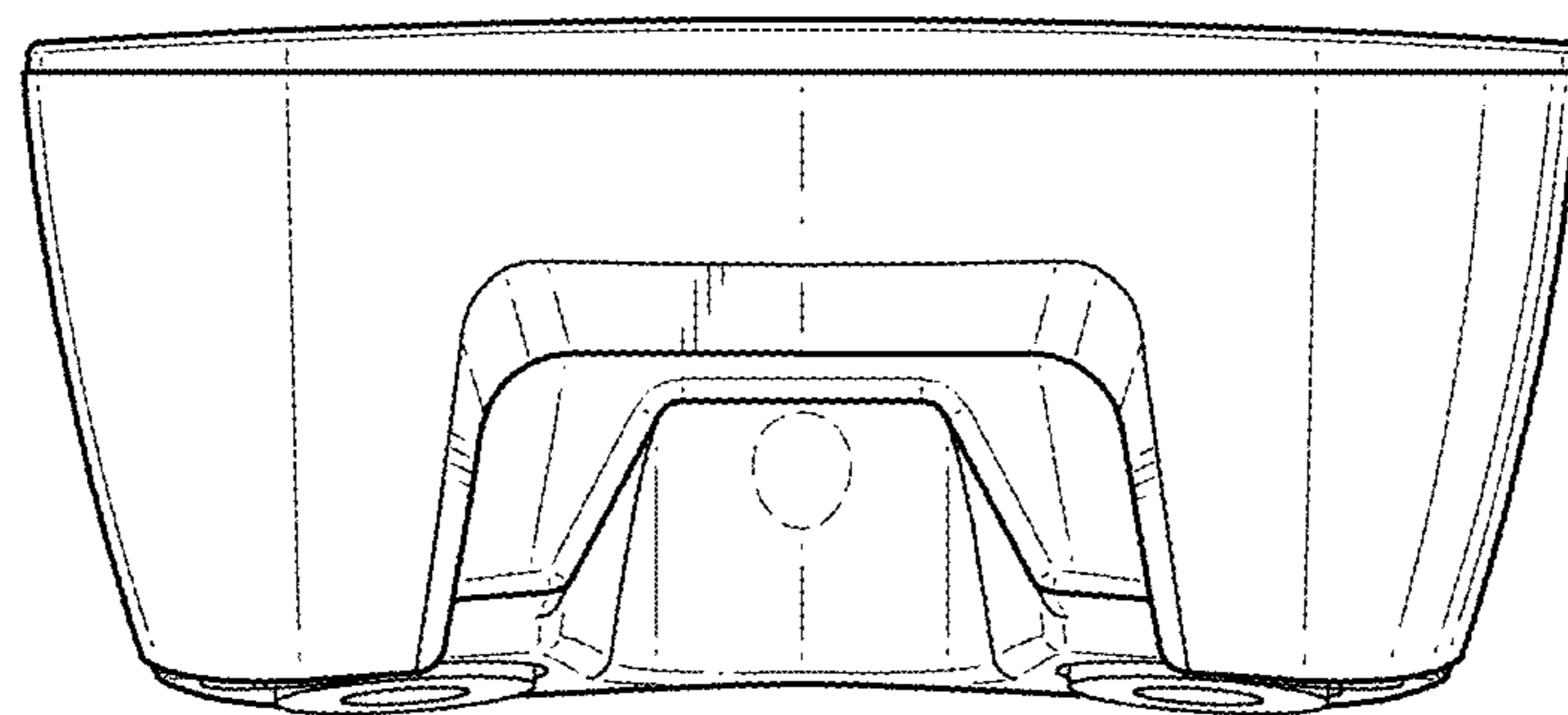
**FIG. 2**



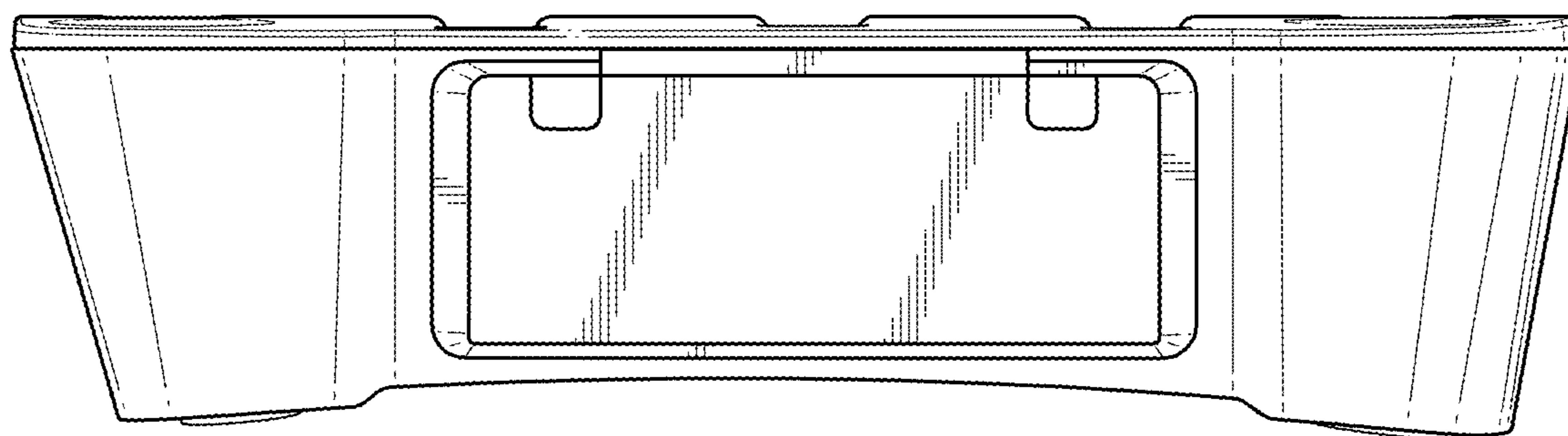
**FIG. 3**



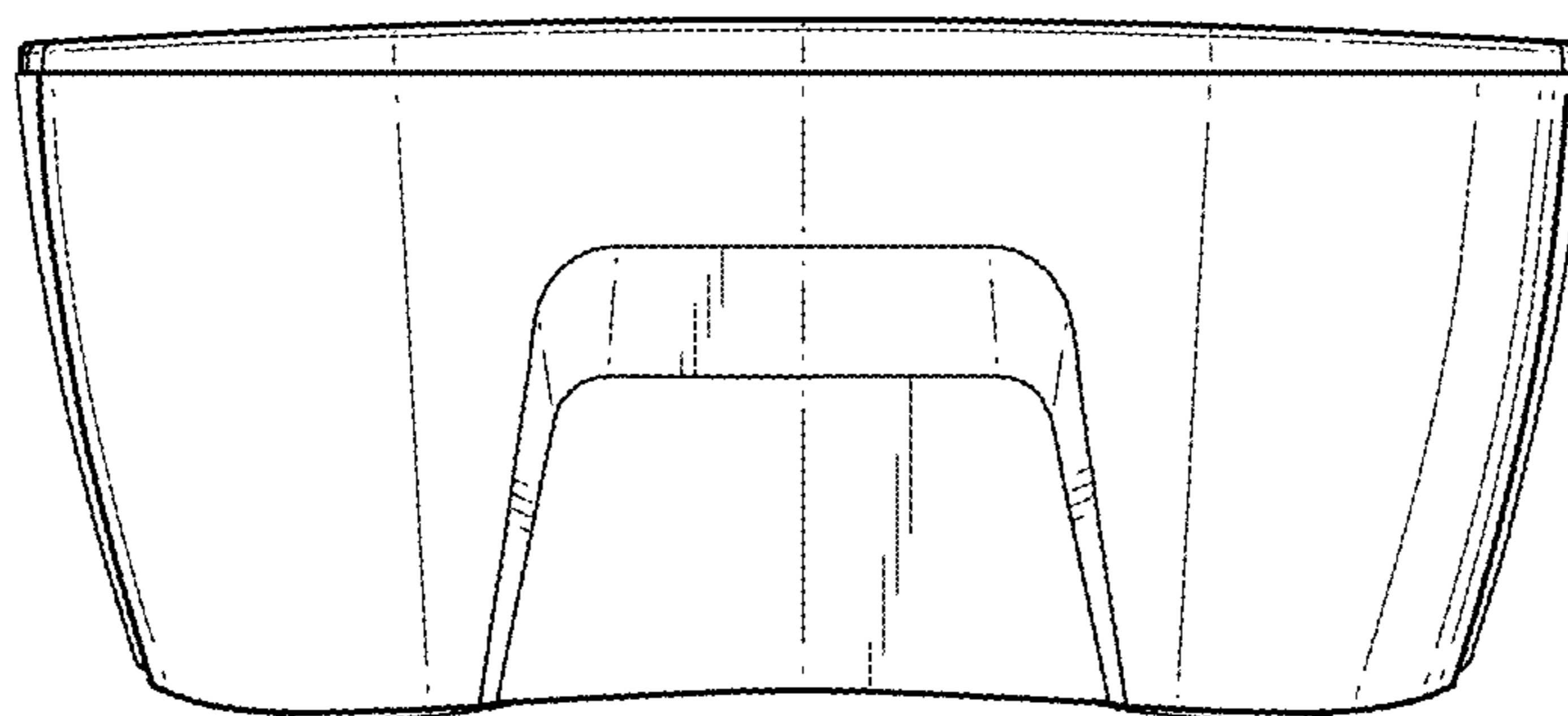
**FIG. 4**



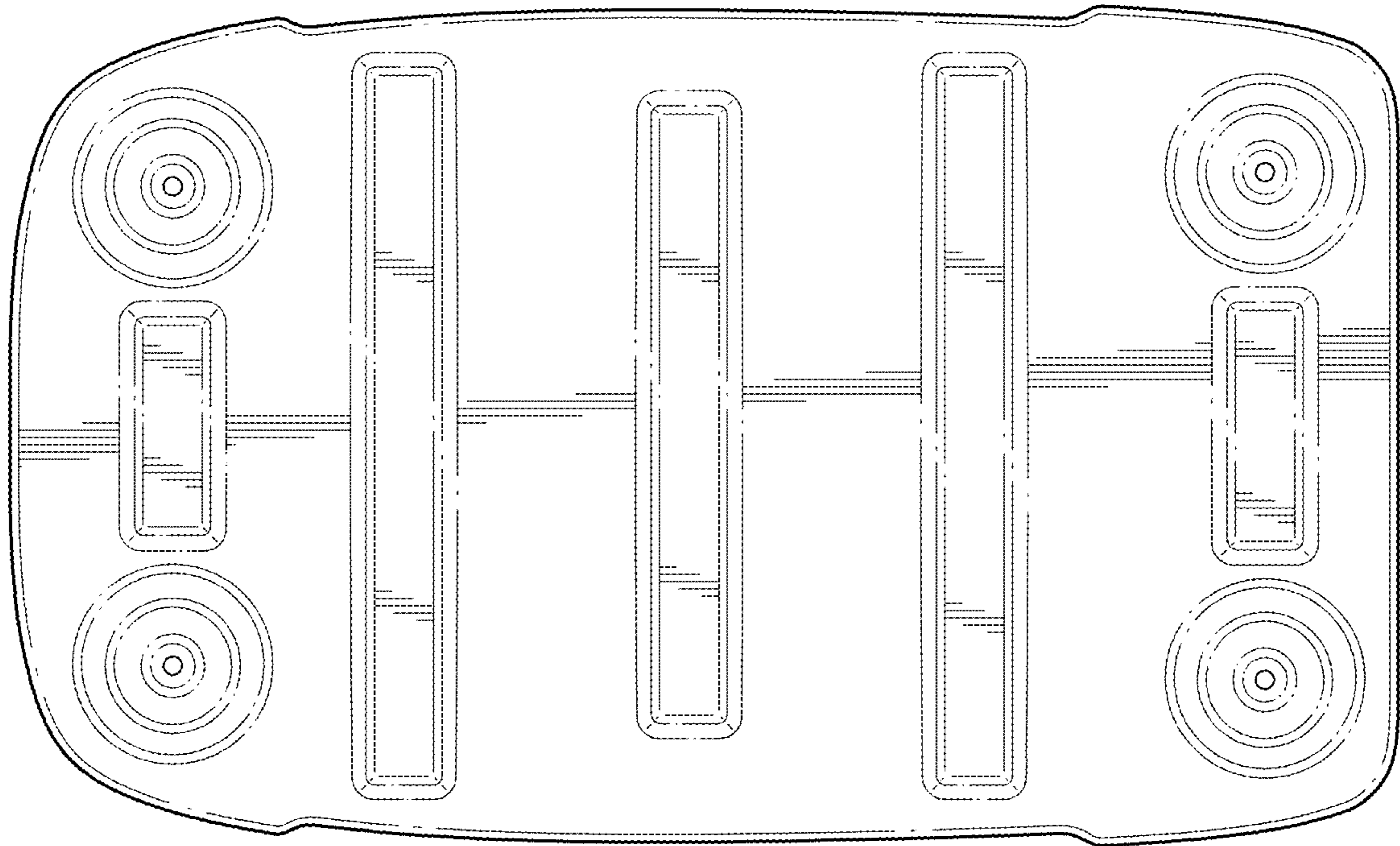
**FIG. 5**



**FIG. 6**



**FIG. 7**



**FIG. 8**

