



US00D929325S

(12) **United States Design Patent** (10) **Patent No.:** **US D929,325 S**
Montgomery et al. (45) **Date of Patent:** **** Aug. 31, 2021**

(54) **POWER INVERTER**

(71) Applicants: **Nicholas Montgomery**, The Villages, FL (US); **Jose Eduardo Illidge**, Hollywood, FL (US)

(72) Inventors: **Nicholas Montgomery**, The Villages, FL (US); **Jose Eduardo Illidge**, Hollywood, FL (US)

(**) Term: **15 Years**

(21) Appl. No.: **29/629,898**

(22) Filed: **Dec. 17, 2017**

Related U.S. Application Data

(60) Continuation-in-part of application No. 15/805,970, filed on Nov. 7, 2017, now Pat. No. 10,312,823, and a division of application No. 29/563,597, filed on May 5, 2016, now Pat. No. Des. 805,473.

(51) **LOC (13) Cl.** **13-02**

(52) **U.S. Cl.**
USPC **D13/110**

(58) **Field of Classification Search**
USPC D13/103, 107-110, 118, 119, 146, 147, D13/153, 155, 184, 199, 154; D32/31; D8/356, 358
CPC Y02E 60/12; H02J 7/025; H02J 7/0042; H02J 7/0044; H02J 7/0045; H02J 7/0003; H02J 7/0027; H02J 7/0013; H02J 7/0054; H02J 7/00; H02J 2001/008; H02J 3/32; H02J 3/008; H01F 38/14; H01R 13/6675; H01M 2/1022; H01M 2/1055; H01M 10/44; H01M 10/46; H01M 10/425; B60L 11/182; B60L 11/1809; B60L 11/1861; B60R 16/03; H05K 5/02; H05K 7/209; H05K 7/20; H02M 7/00

See application file for complete search history.

(56) **References Cited**

U.S. PATENT DOCUMENTS

D332,443	S	1/1993	Sharpe	
D365,082	S	12/1995	Cook, II	
5,949,640	A *	9/1999	Cameron H05K 5/0247 361/600
D426,810	S *	6/2000	Wei D13/110
D427,146	S *	6/2000	Wei D13/110

(Continued)

OTHER PUBLICATIONS

Amazon.com: Thor Manufacturing Professional Grade Inverter Install Kit . . . Date First Available of Nov. 17, 2016. Retrieved from the internet at <<https://www.amazon.com/THOR-Manufacturing-THPW3000-KIT2-Professional/dp/B01N41HX8U/>>, Nov. 18, 2020. 1 page. (Year: 2016).*

Primary Examiner — Christy Nemeth

(74) *Attorney, Agent, or Firm* — Allen D Hertz, P. A.; Allen D. Hertz

(57) **CLAIM**

We claim the ornamental design for a power inverter, as shown and described.

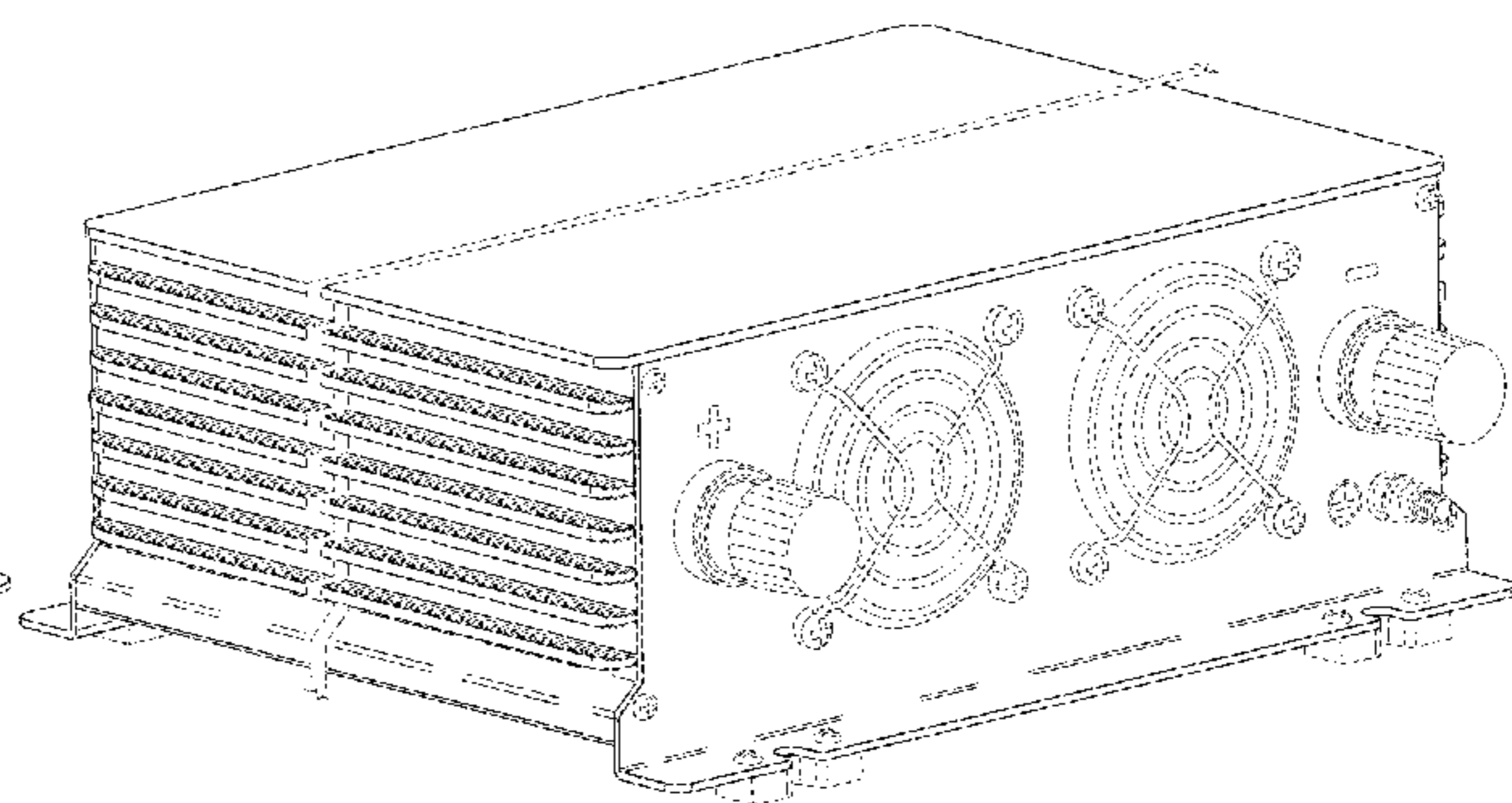
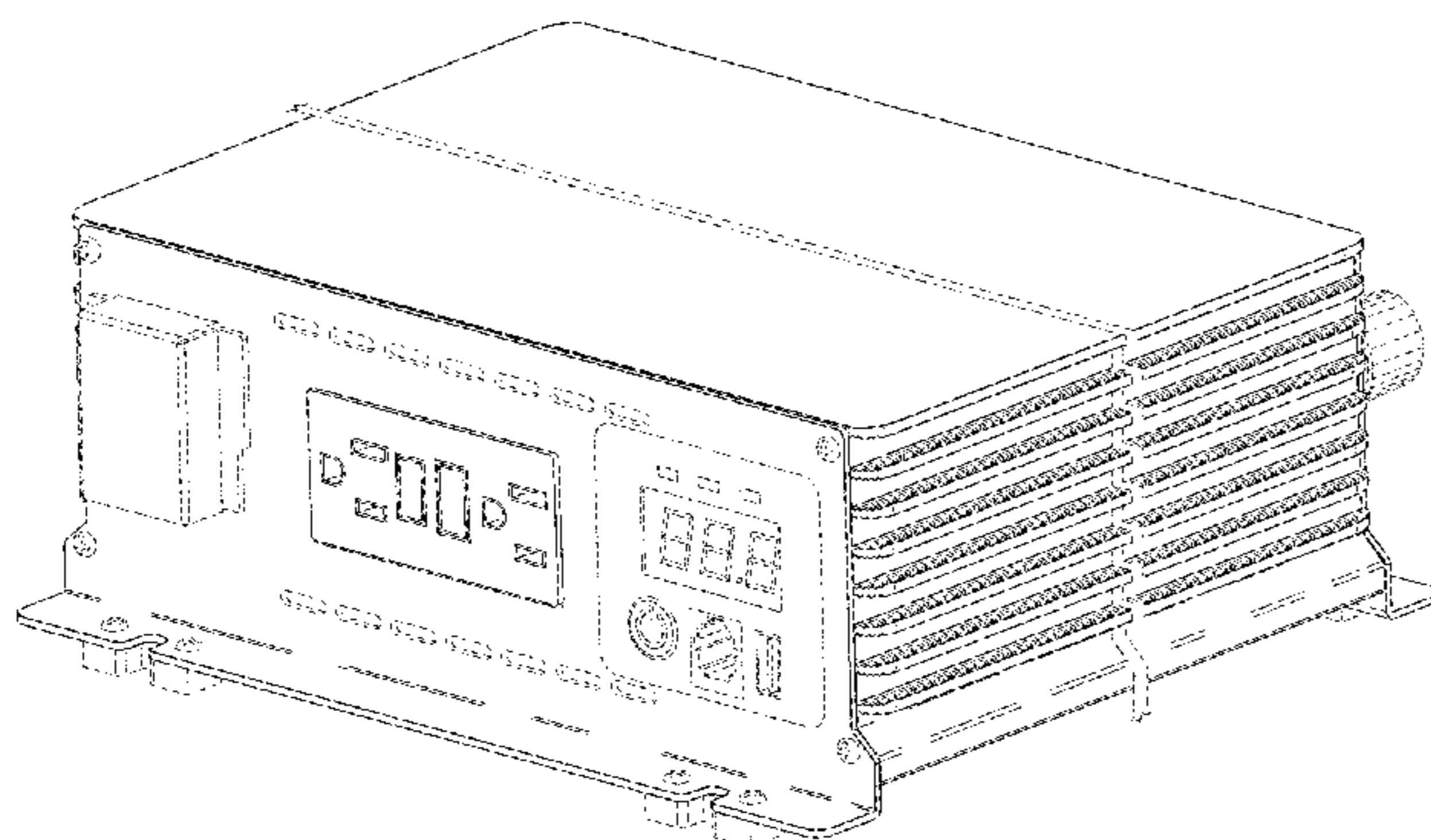
DESCRIPTION

FIG. 1 is an isometric top, front view of a power inverter; FIG. 2 is an isometric top, rear view thereof; FIG. 3 is a front view thereof; FIG. 4 is a left side view thereof; FIG. 5 is a rear view thereof; FIG. 6 is a right side view thereof; FIG. 7 is a top view thereof; and, FIG. 8 is a bottom view thereof.

The evenly spaced broken lines in the drawings are for the purpose of illustrating portions of the power inverter that form no part of the claim.

The power inverter is shown with a symbolic break in its length. The appearance of any portions of the article between the break lines forms no part of the claimed design.

1 Claim, 8 Drawing Sheets



(56)

References Cited

U.S. PATENT DOCUMENTS

D427,147 S * 6/2000 Wei D13/110
D427,148 S * 6/2000 Wei D13/110
D427,969 S * 7/2000 Wei D13/110
D551,621 S * 9/2007 Iacovelli D13/110
D558,142 S * 12/2007 Cho D13/110
D610,539 S 2/2010 Dahan
D704,638 S 5/2014 Inskeep
D716,730 S 11/2014 Liu
D727,846 S 4/2015 Wen
D739,347 S 9/2015 Huang
D742,826 S 11/2015 Hetzroni
D770,976 S 11/2016 Xu
D773,993 S 12/2016 Hoffman
D785,565 S * 5/2017 Xu D13/110
D805,473 S * 12/2017 Montgomery D13/110
D817,876 S * 5/2018 Meng D13/110
D829,653 S * 10/2018 Inskeep D13/110
D843,939 S * 3/2019 Xiong D13/110
10,312,823 B1 * 6/2019 Montgomery H02M 7/44
D852,742 S * 7/2019 Li D13/110
D864,113 S * 10/2019 Zhang D13/110
D867,284 S * 11/2019 Lai D13/110
D870,667 S * 12/2019 James D13/110
D872,019 S * 1/2020 Chen D13/110
D875,045 S * 2/2020 Xu D13/110
D875,681 S * 2/2020 Xu D13/110
D876,350 S * 2/2020 Lai D13/110
D885,340 S * 5/2020 Shum D13/110
D887,355 S * 6/2020 Chao D13/110
D890,699 S * 7/2020 Feng D13/110
D891,369 S * 7/2020 Wu D13/110
D894,833 S * 9/2020 Yamazawa D13/110
2005/0200206 A1 9/2005 Hussaini

* cited by examiner

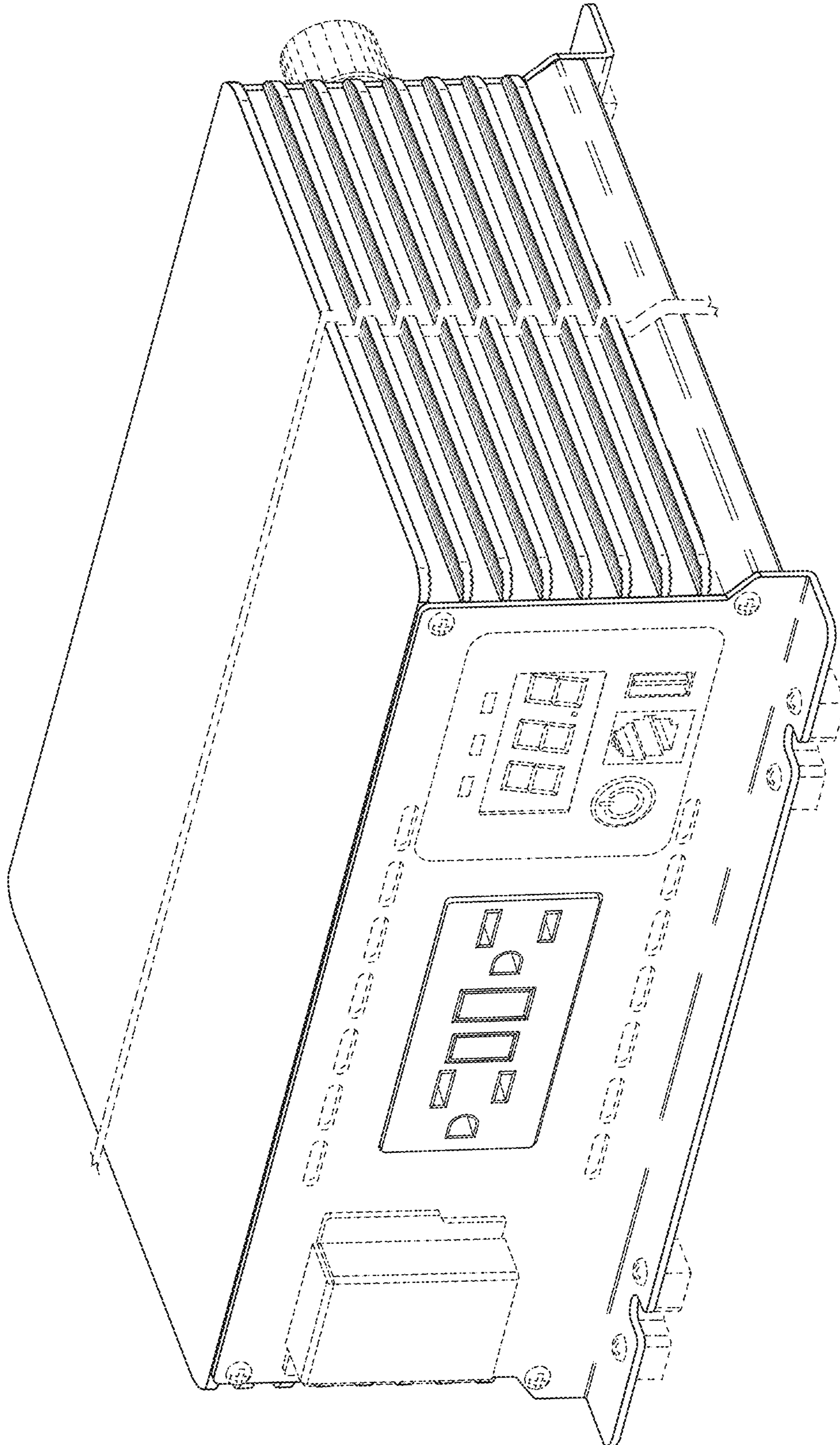


FIG. 1

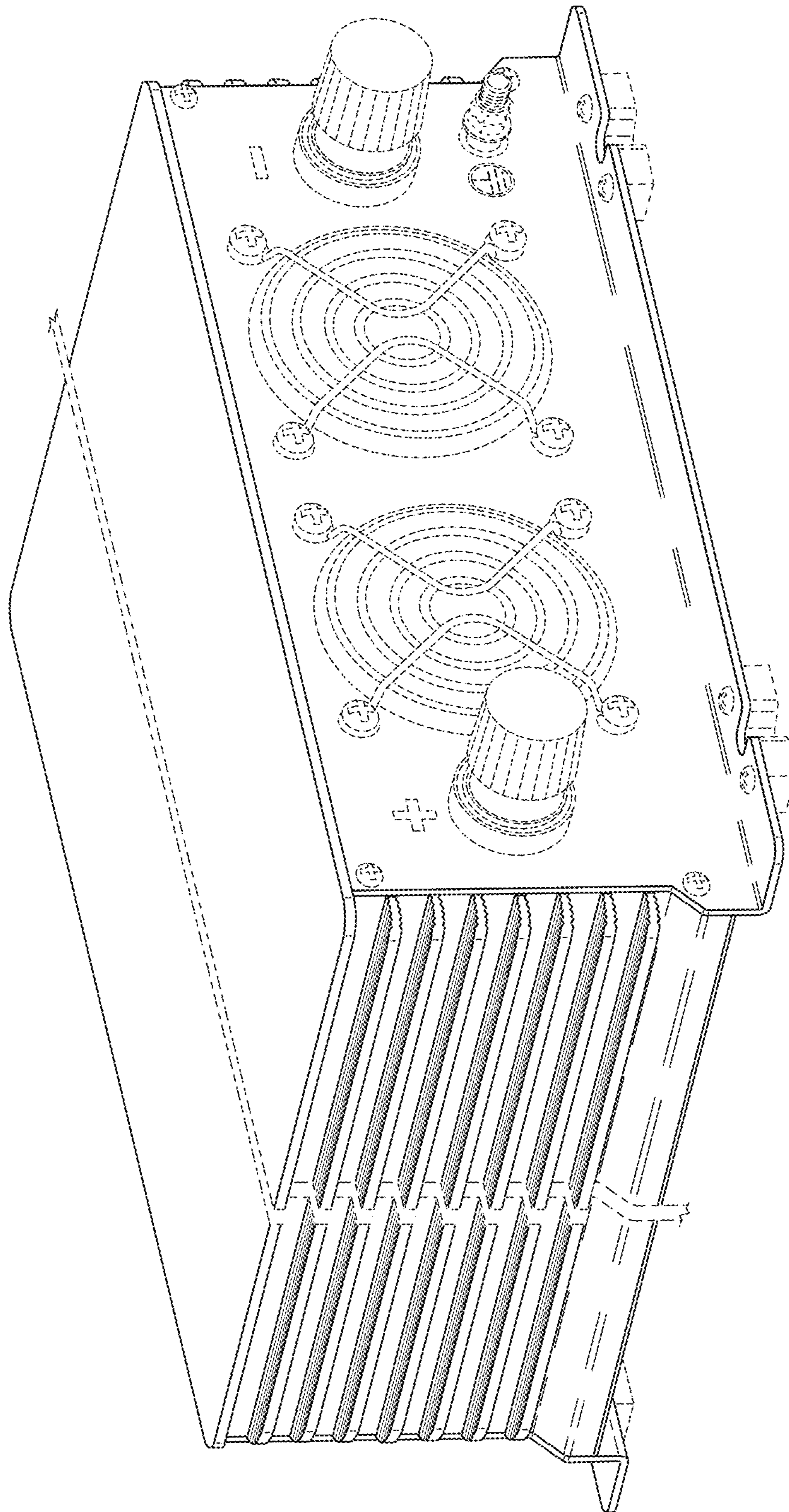


FIG. 2

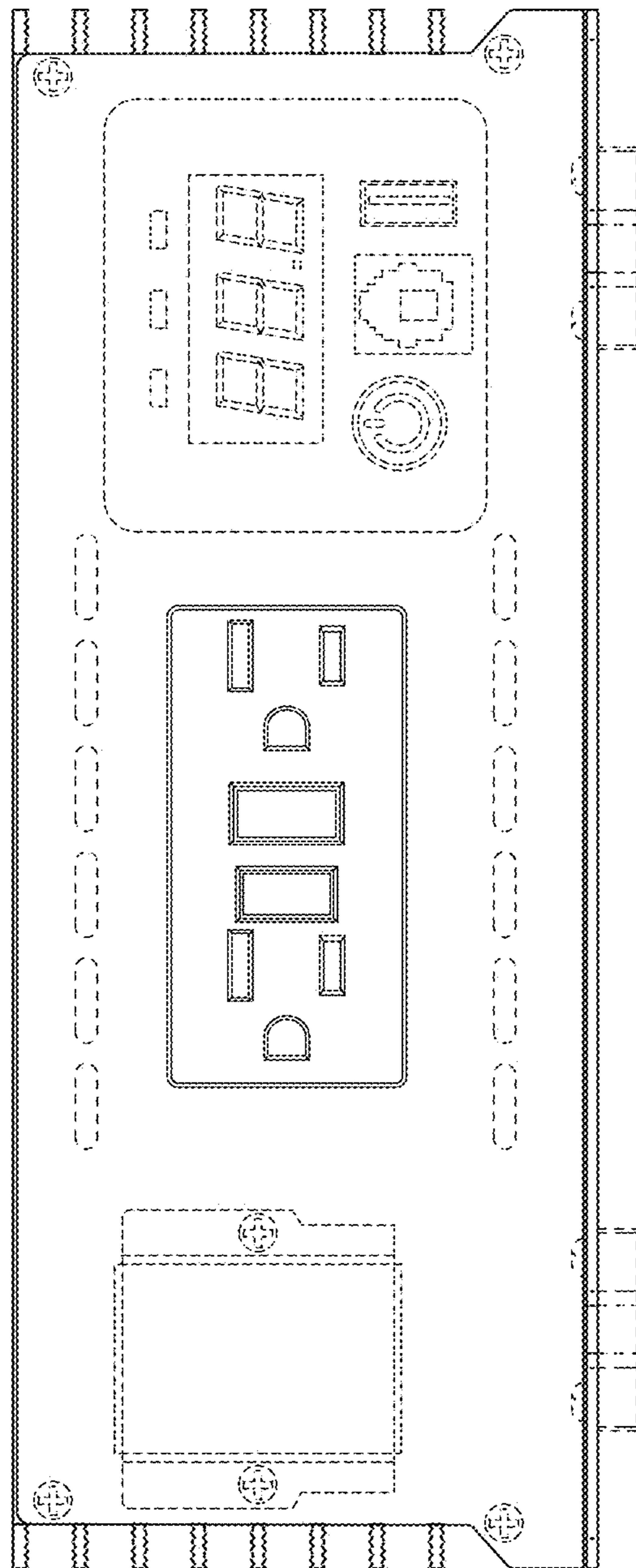


FIG. 3

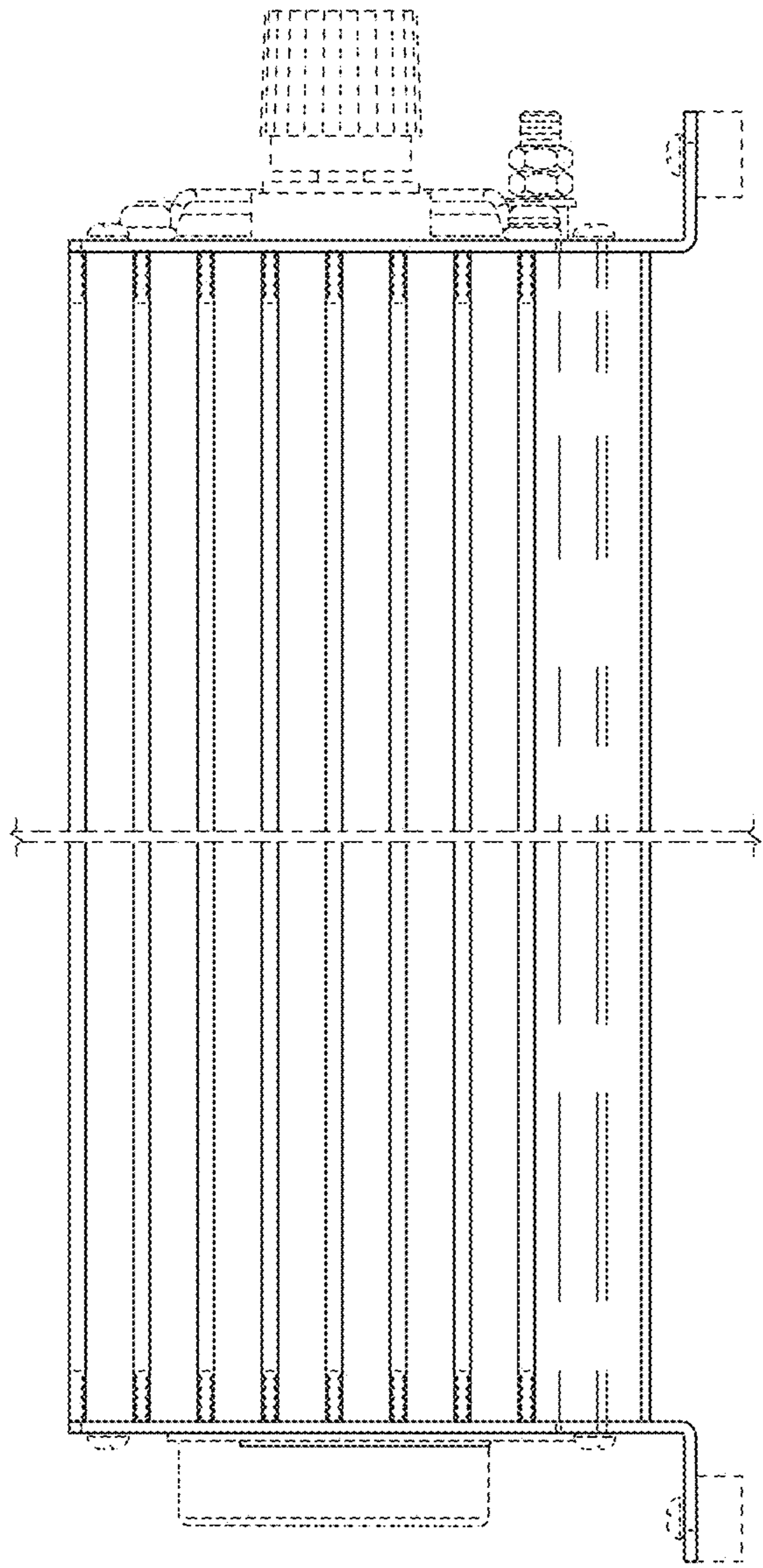


FIG. 4

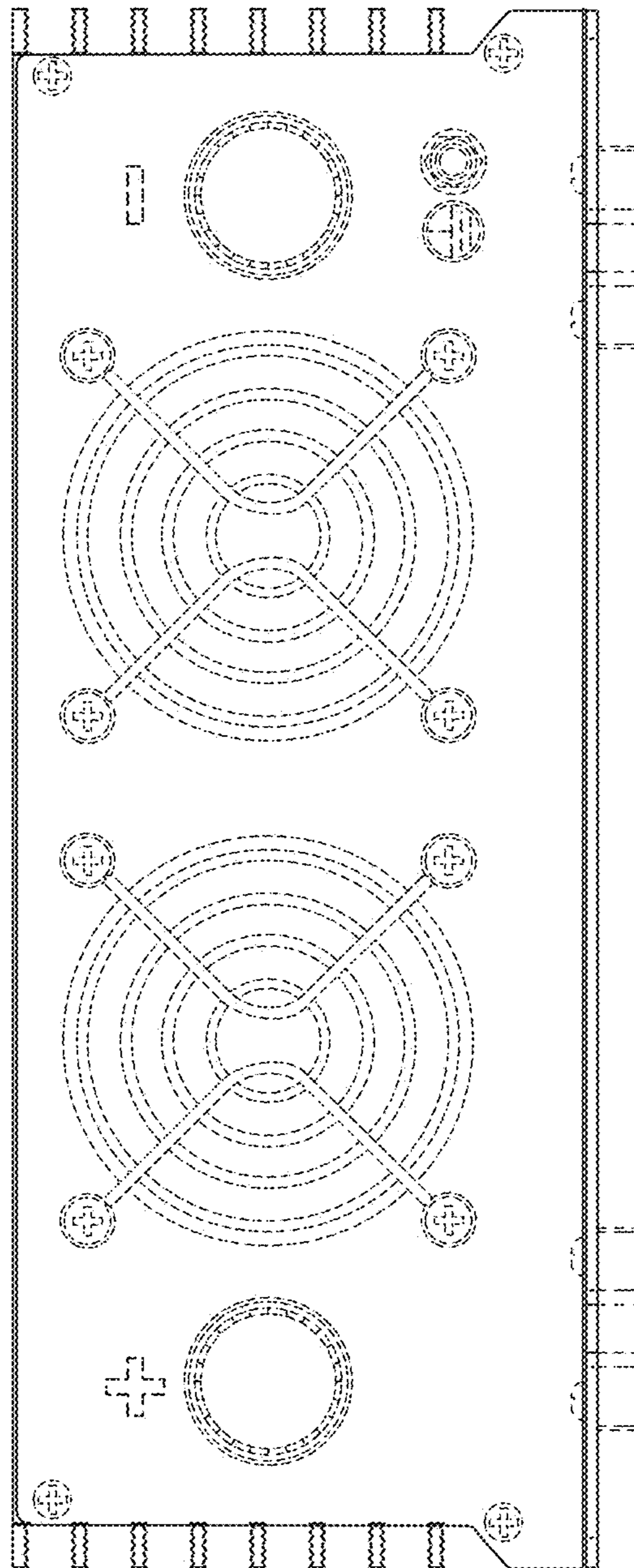


FIG. 5

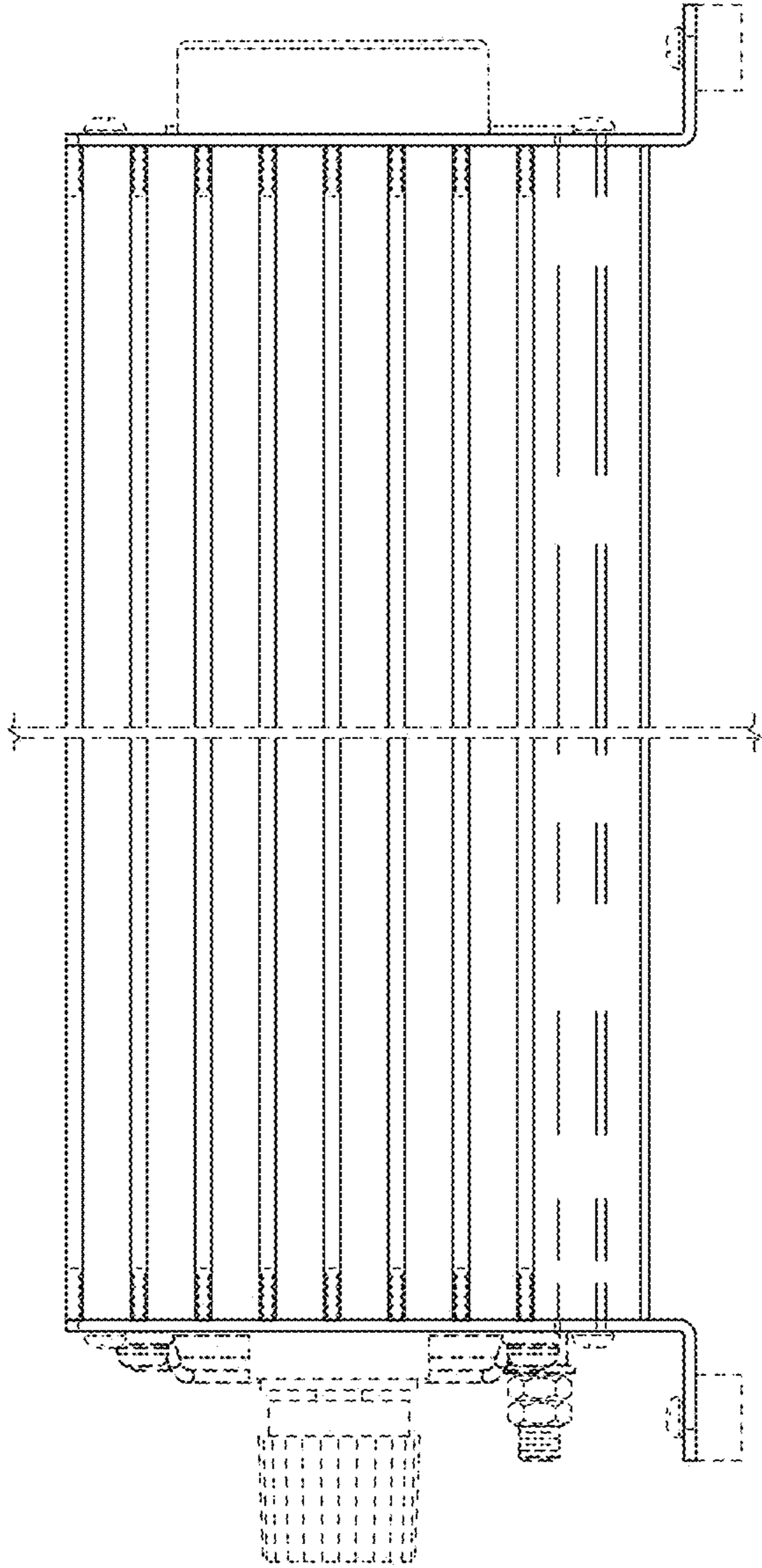


FIG. 6

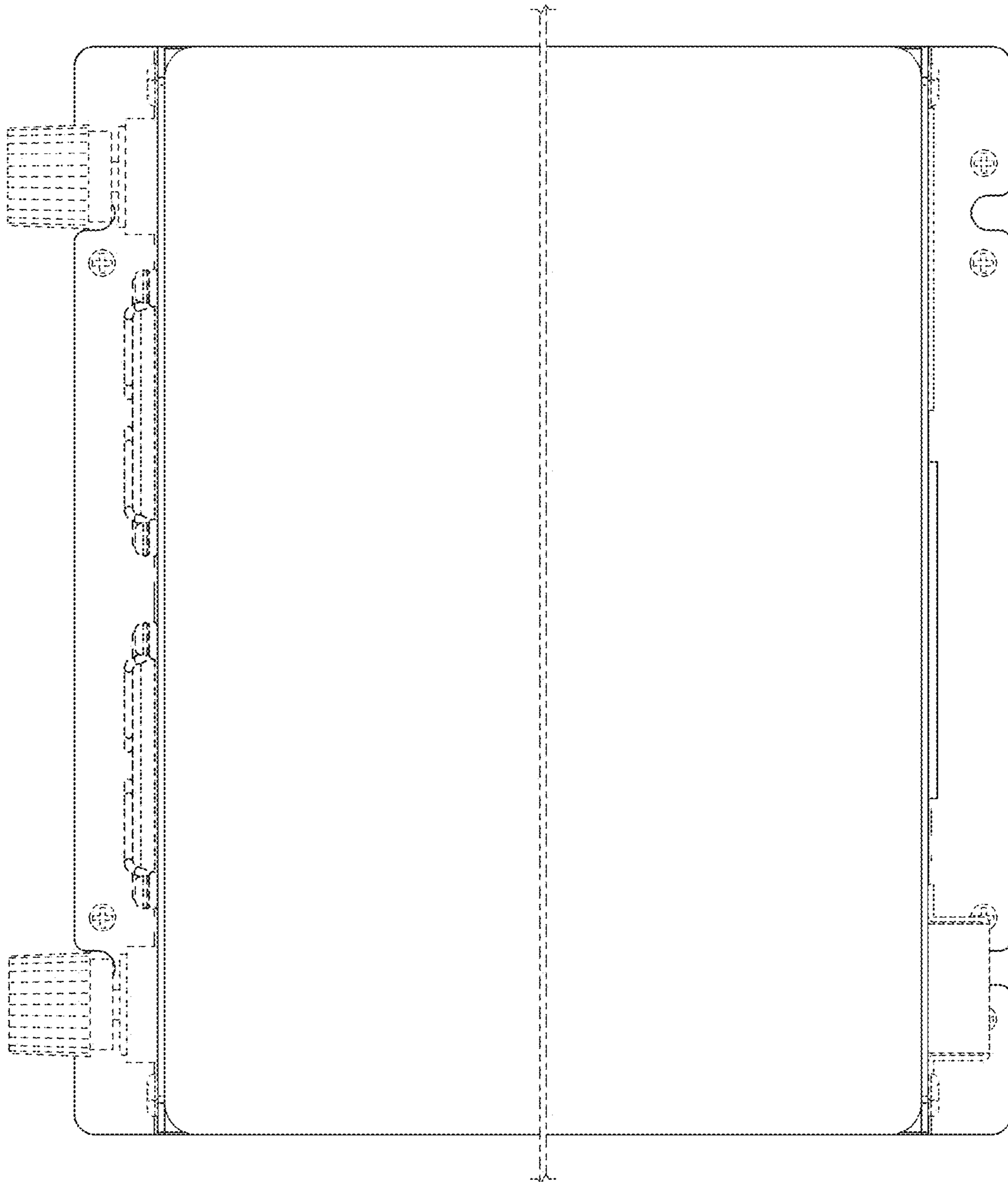


FIG. 7

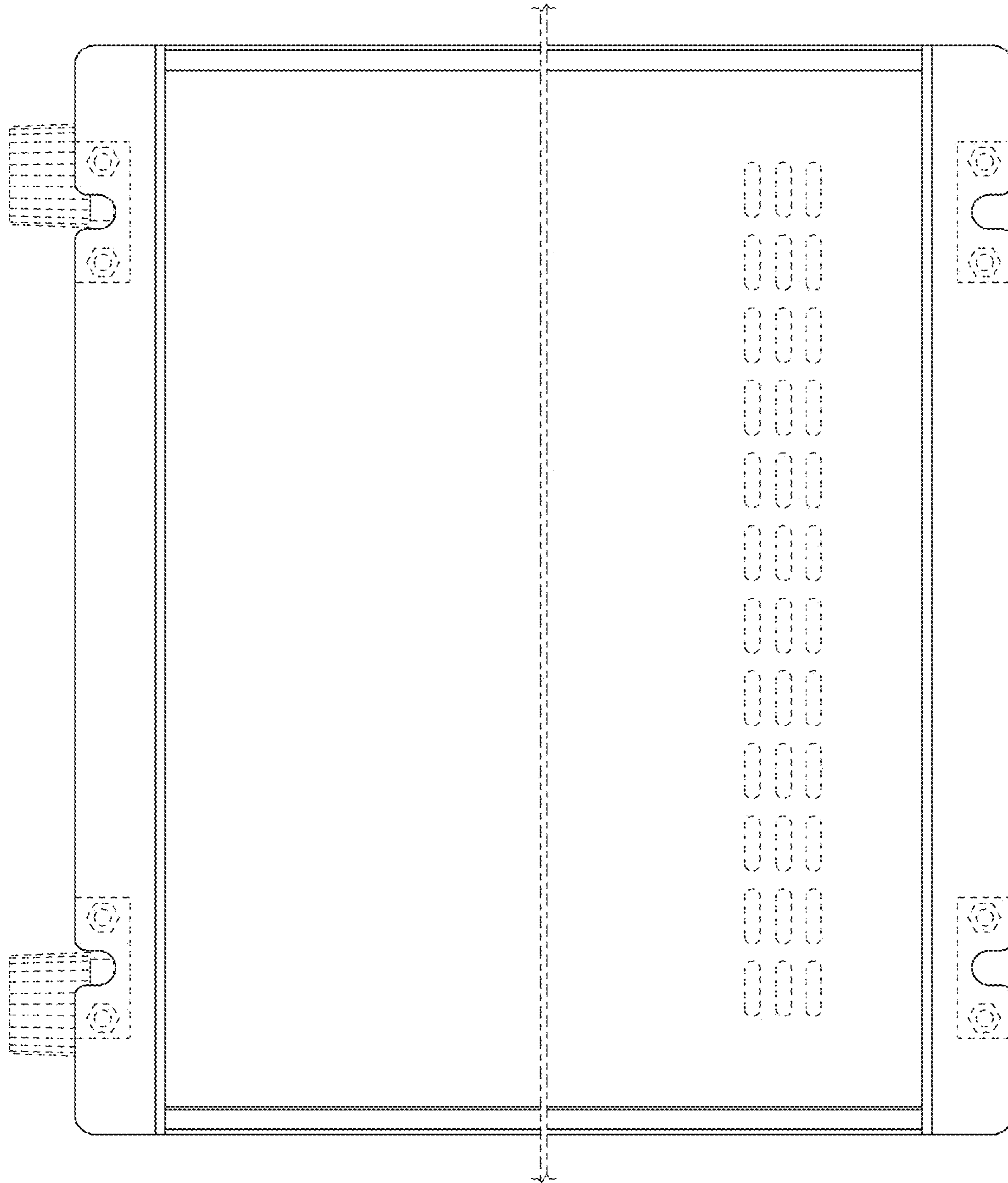


FIG. 8