



US00D929324S

(12) **United States Design Patent**
Oba et al.

(10) **Patent No.:** **US D929,324 S**

(45) **Date of Patent:** **** Aug. 31, 2021**

(54) **BATTERY CHARGER**

(71) Applicant: **SATO HOLDINGS KABUSHIKI KAISHA**, Tokyo (JP)

(72) Inventors: **Hiroto Oba**, Tokyo (JP); **Yutaro Kumagai**, Kanagawa (JP)

(73) Assignee: **SATO HOLDINGS KABUSHIKI KAISHA**, Tokyo (JP)

(**) Term: **15 Years**

(21) Appl. No.: **29/722,304**

(22) Filed: **Jan. 28, 2020**

(30) **Foreign Application Priority Data**

Jul. 30, 2019 (JP) 2019-017041

(51) **LOC (13) Cl.** **13-02**

(52) **U.S. Cl.**
USPC **D13/108**

(58) **Field of Classification Search**
USPC D13/103, 107, 108, 109, 110, 118, 119;
D14/356, 434, 447, 209.1, 251, 253
CPC H02J 7/342; H02J 50/00; H01R 2201/06
See application file for complete search history.

(56) **References Cited**

U.S. PATENT DOCUMENTS

5,689,171 A * 11/1997 Ludwig H02J 7/0042
320/110
D396,447 S * 7/1998 Lloyd D13/107
D509,790 S * 9/2005 Sakai D13/108
D516,023 S * 2/2006 Quinn D13/108
D533,499 S * 12/2006 Suzuki D13/108
7,212,842 B1 * 5/2007 Seymour H04M 1/673
455/573
D562,762 S * 2/2008 Saddlemire D13/108
D606,491 S * 12/2009 Rosen D13/108

7,830,116 B2 * 11/2010 Toya H02J 7/025
320/108
D717,290 S * 11/2014 Shen D14/253
D876,442 S * 2/2020 McCracken H04R 5/04
D14/434
D896,228 S * 9/2020 Sjogren D14/434
D915,275 S * 4/2021 Wersland D13/108

OTHER PUBLICATIONS

“Baofeng UV-5R Battery Charger Drop-In Tray”. Found online Apr. 7, 2021 at banoggle.com. Reference dated Aug. 11, 2019. Retrieved from https://tineye.com/search/826c83ea5df86bc45ec0be69e46615088727e1a1?sort=crawl_date&order=asc&page=1. (Year: 2019).*

(Continued)

Primary Examiner — Kendra Leslie Hamilton

Assistant Examiner — Amanda Christensen

(74) *Attorney, Agent, or Firm* — Andrew F. Young, Esq.;
Nolte Lackenbach Siegel

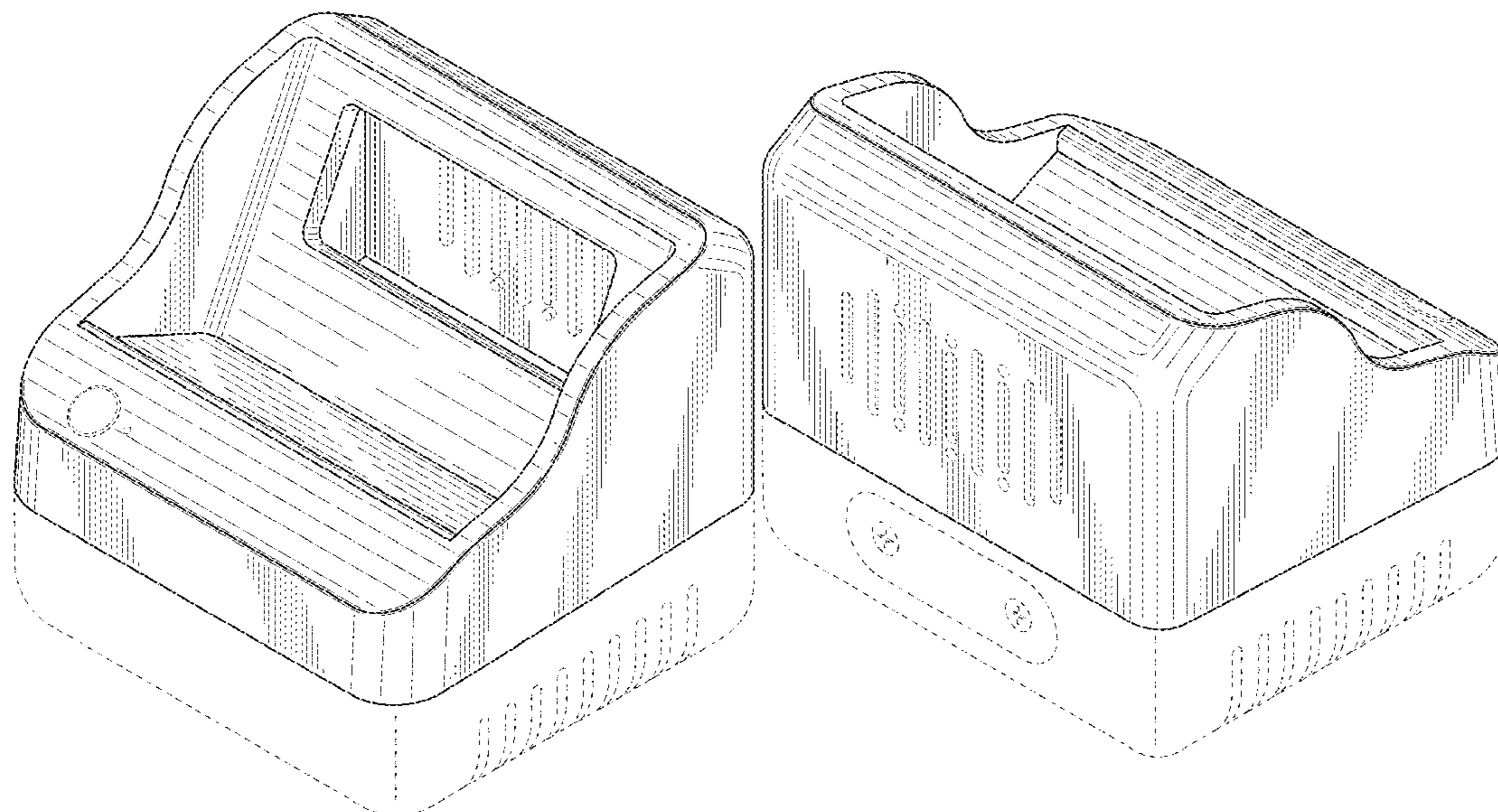
(57) **CLAIM**

The ornamental design for a battery charger, as shown and described.

DESCRIPTION

FIG. 1 is a front, top left side perspective view of a battery charger, showing our new design;
FIG. 2 is a rear, top, right side perspective view thereof;
FIG. 3 is a front elevation view thereof.
FIG. 4 is a rear perspective view thereof.
FIG. 5 is a top plan view thereof.
FIG. 6 is a bottom plan view thereof.
FIG. 7 is a left side elevation view thereof; and,
FIG. 8 is a right side elevation view thereof.
The broken lines depict portions of the battery charger that form no part of the claimed design.

1 Claim, 8 Drawing Sheets



(56)

References Cited

OTHER PUBLICATIONS

“Hytera Battery Charger”. Found online Apr. 6, 2021 at twowayradio.com. Reference dated May 25, 2018. Retrieved from https://tineye.com/search/fcc4957f4d955cefd1070c097f5d7a4c0422f4f1?sort=crawl_date&order=asc&page=1. (Year: 2018).*

“Stihl AL 300 Quick Battery Charger”. Found online Apr. 6, 2021 at jungle-busters.co.uk. Reference dated Feb. 29, 2012. Retrieved from https://tineye.com/search/853654a8fa136361f2b701f6da3ee3399392b64e?sort=crawl_date&order=asc&page=1. (Year: 2012).*

* cited by examiner

FIG. 1

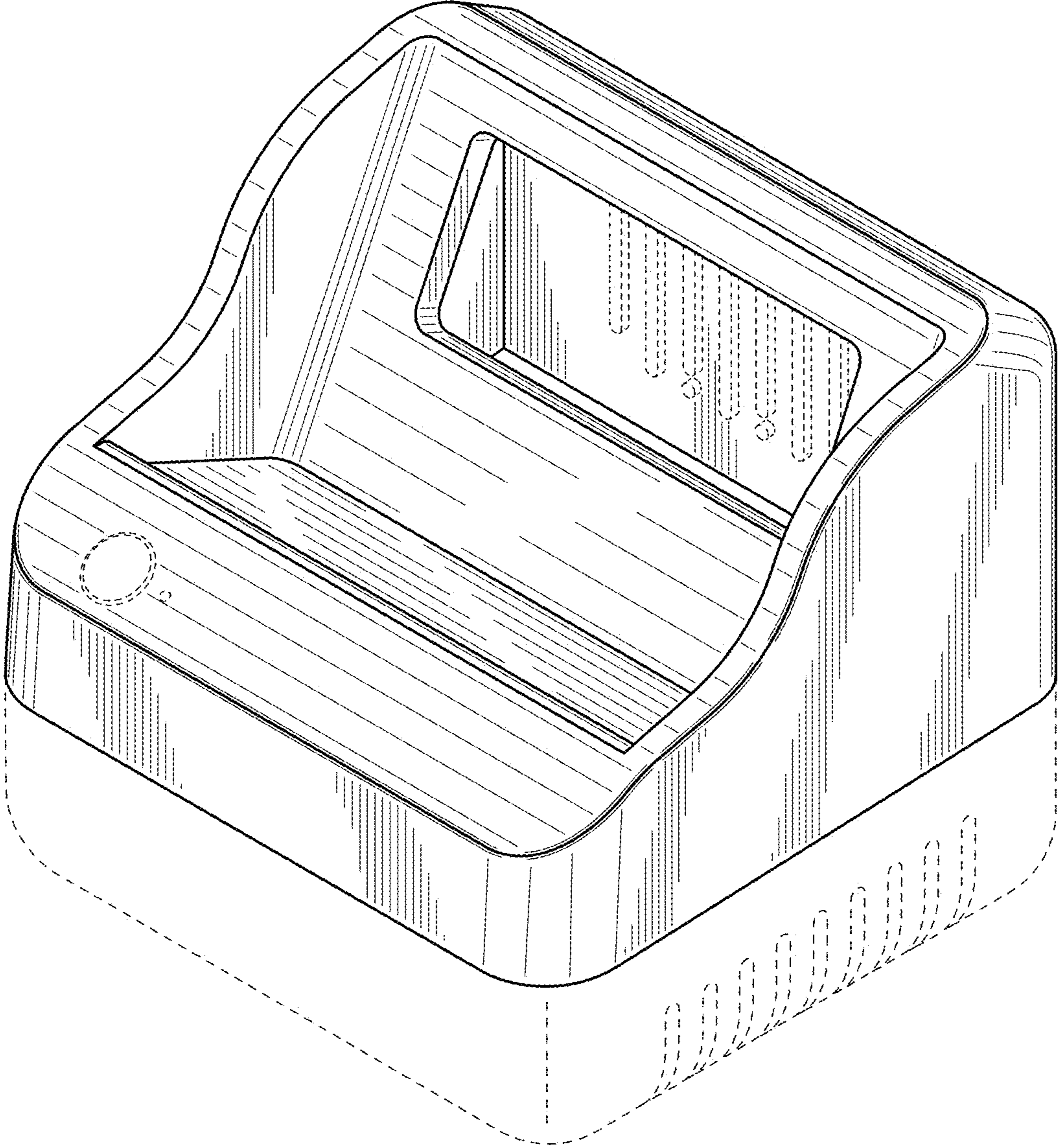


FIG. 2

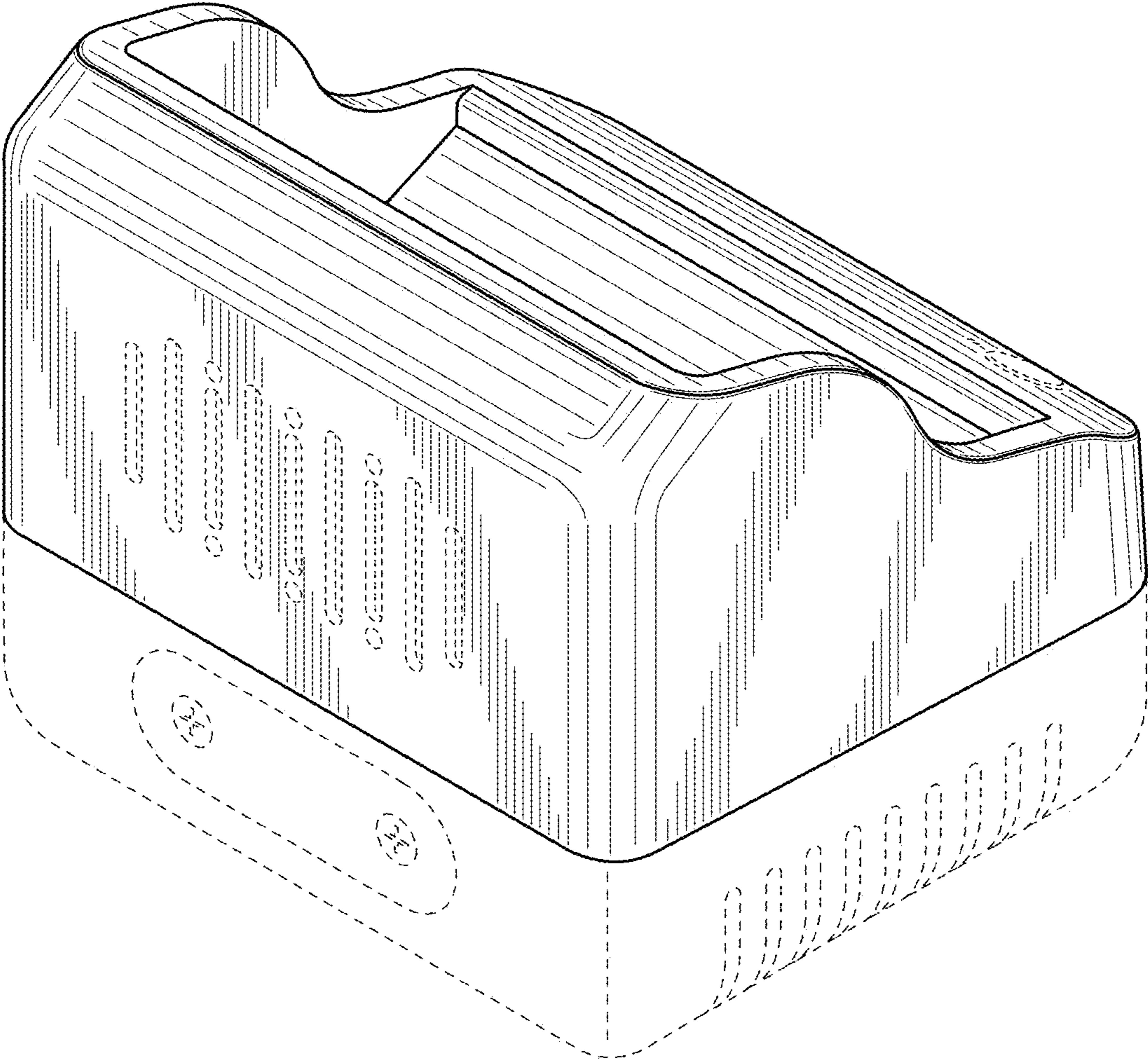


FIG. 3

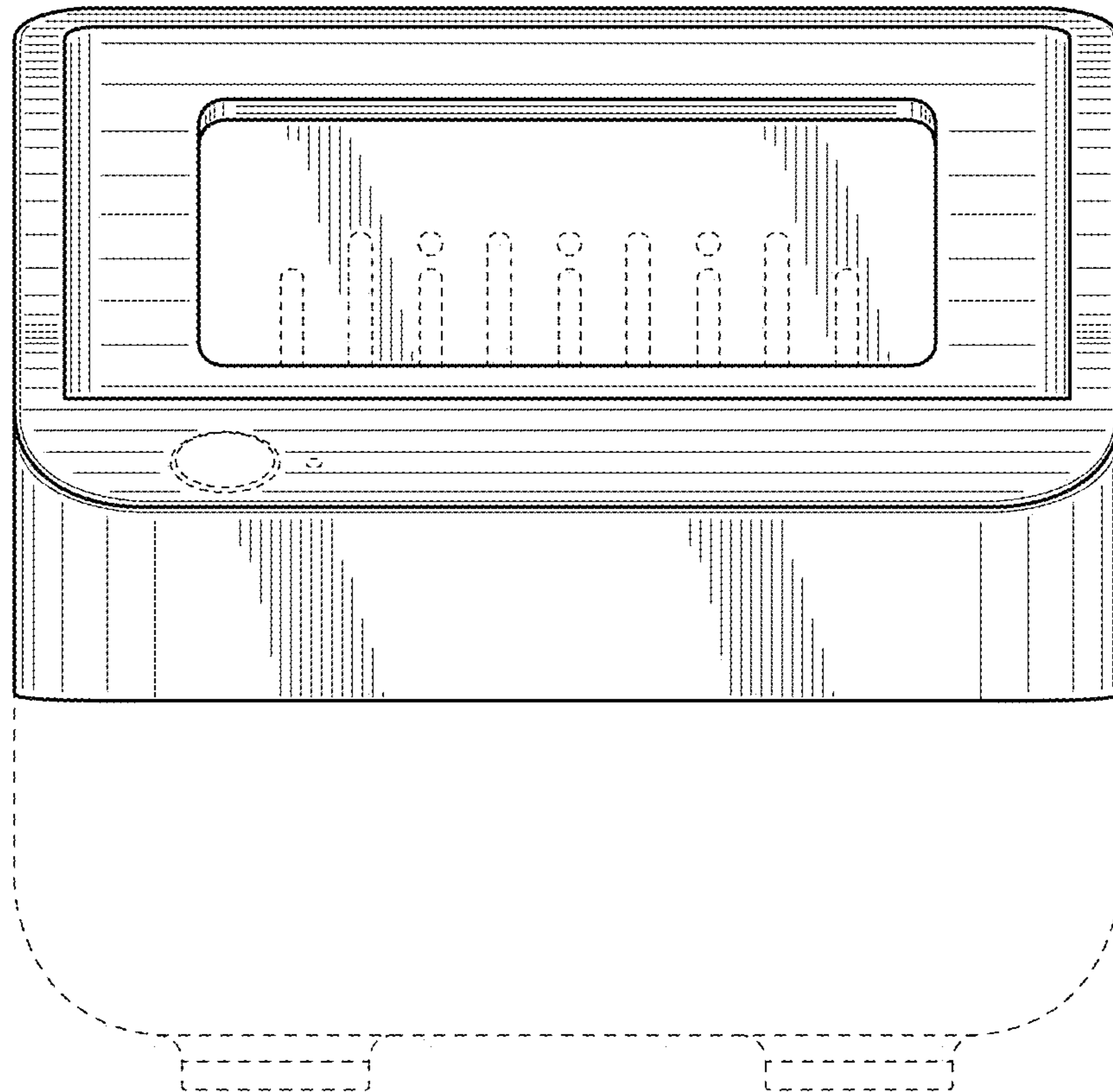


FIG. 4

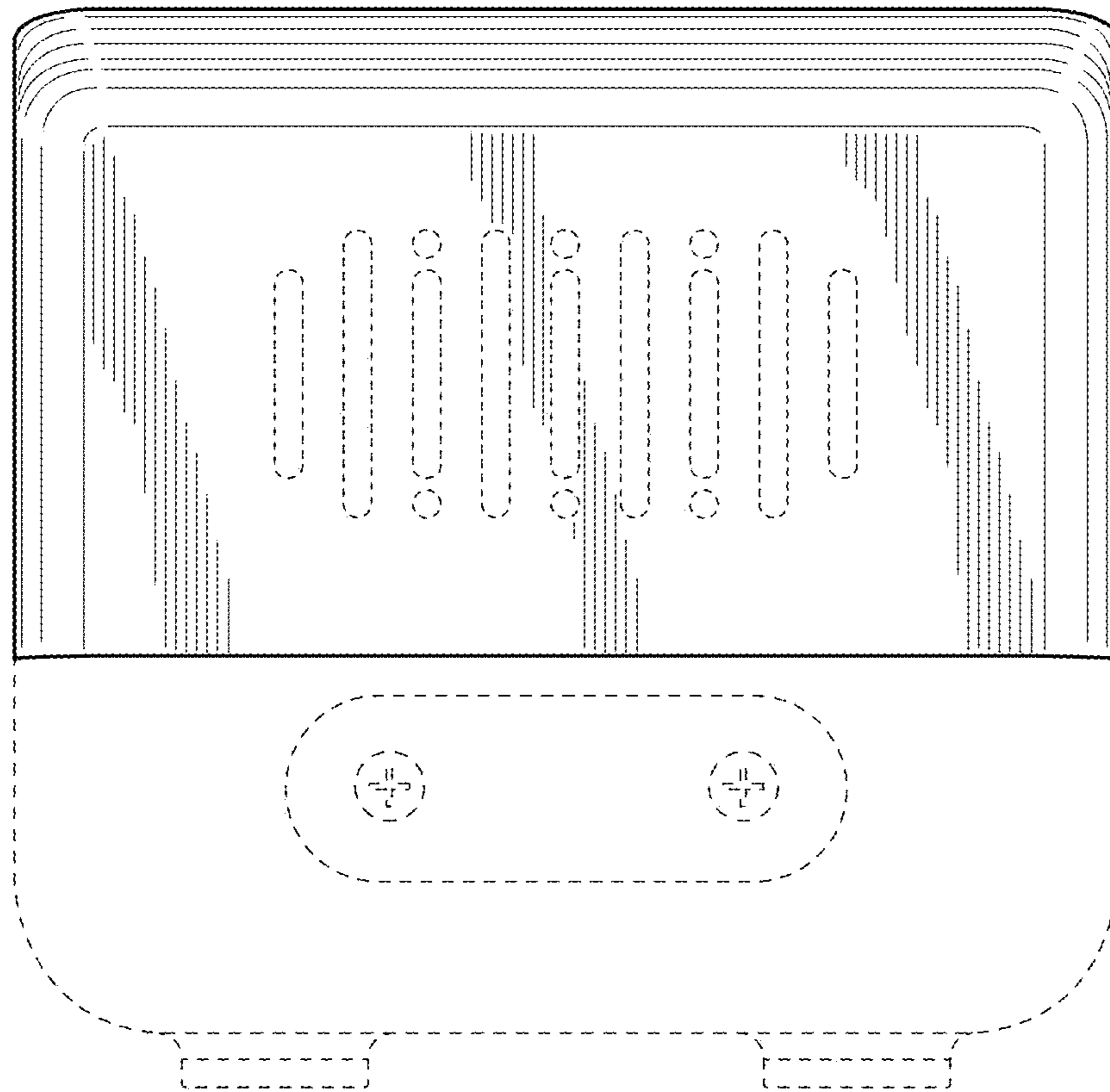


FIG. 5

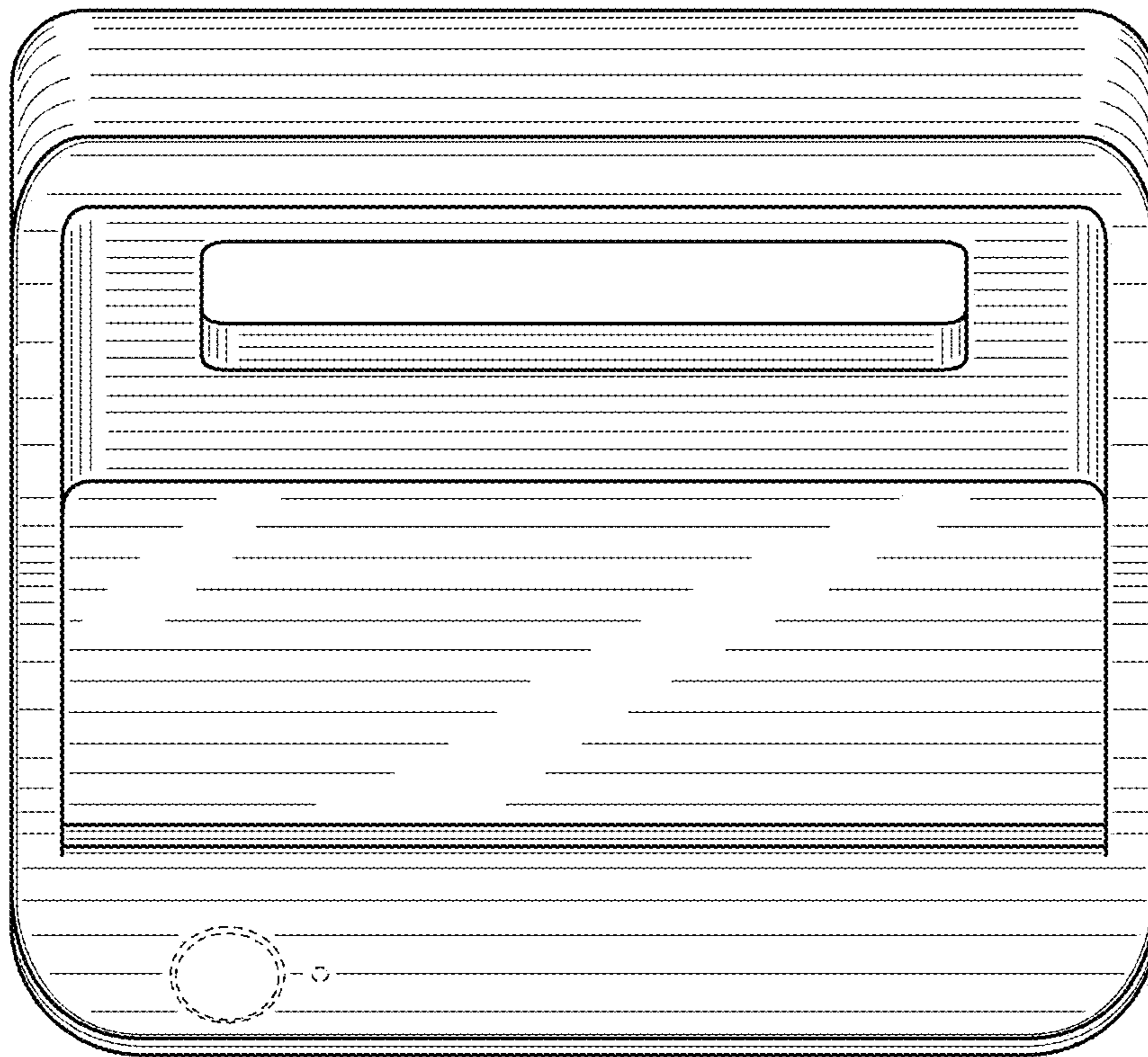


FIG. 6

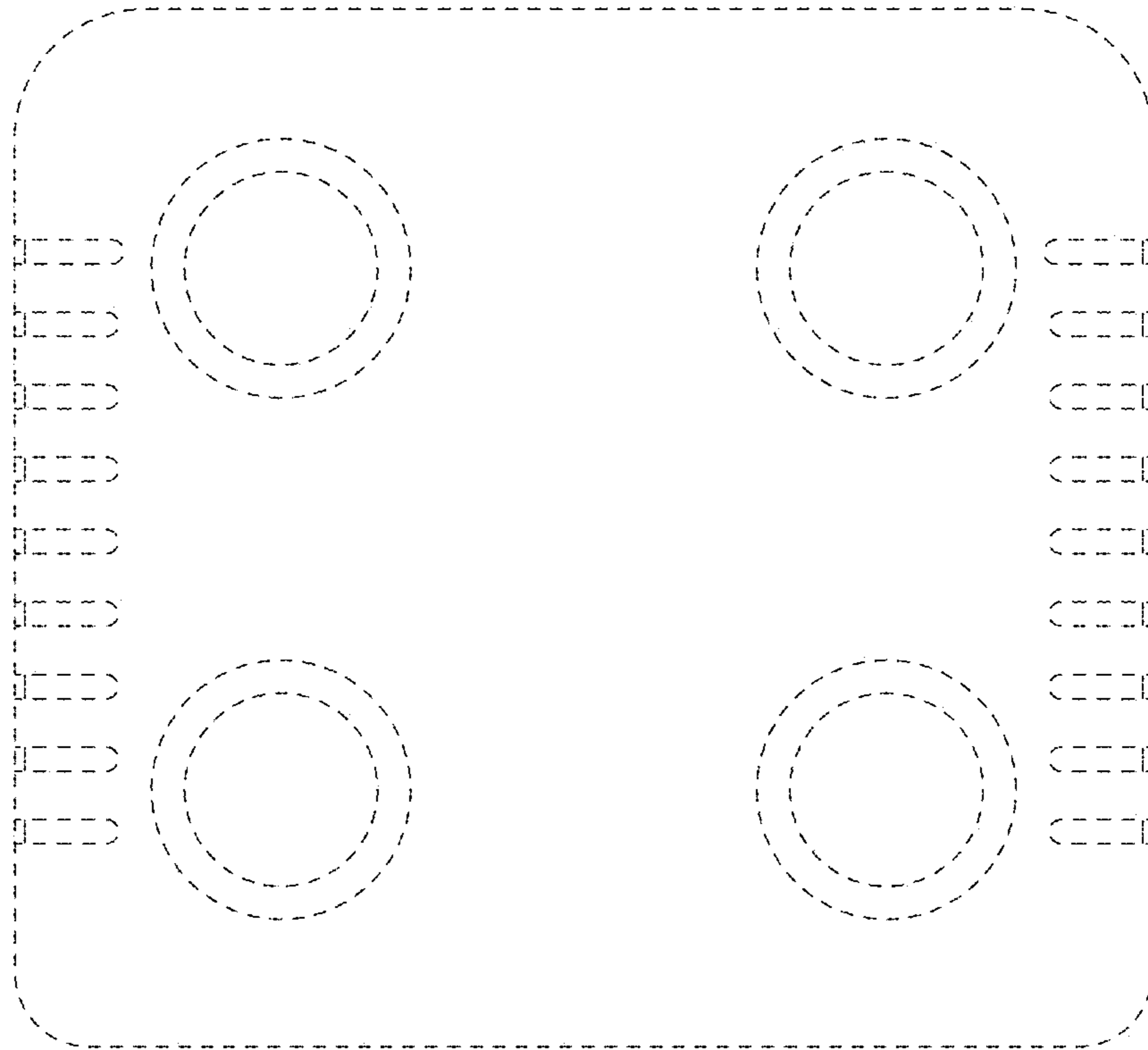


FIG. 7

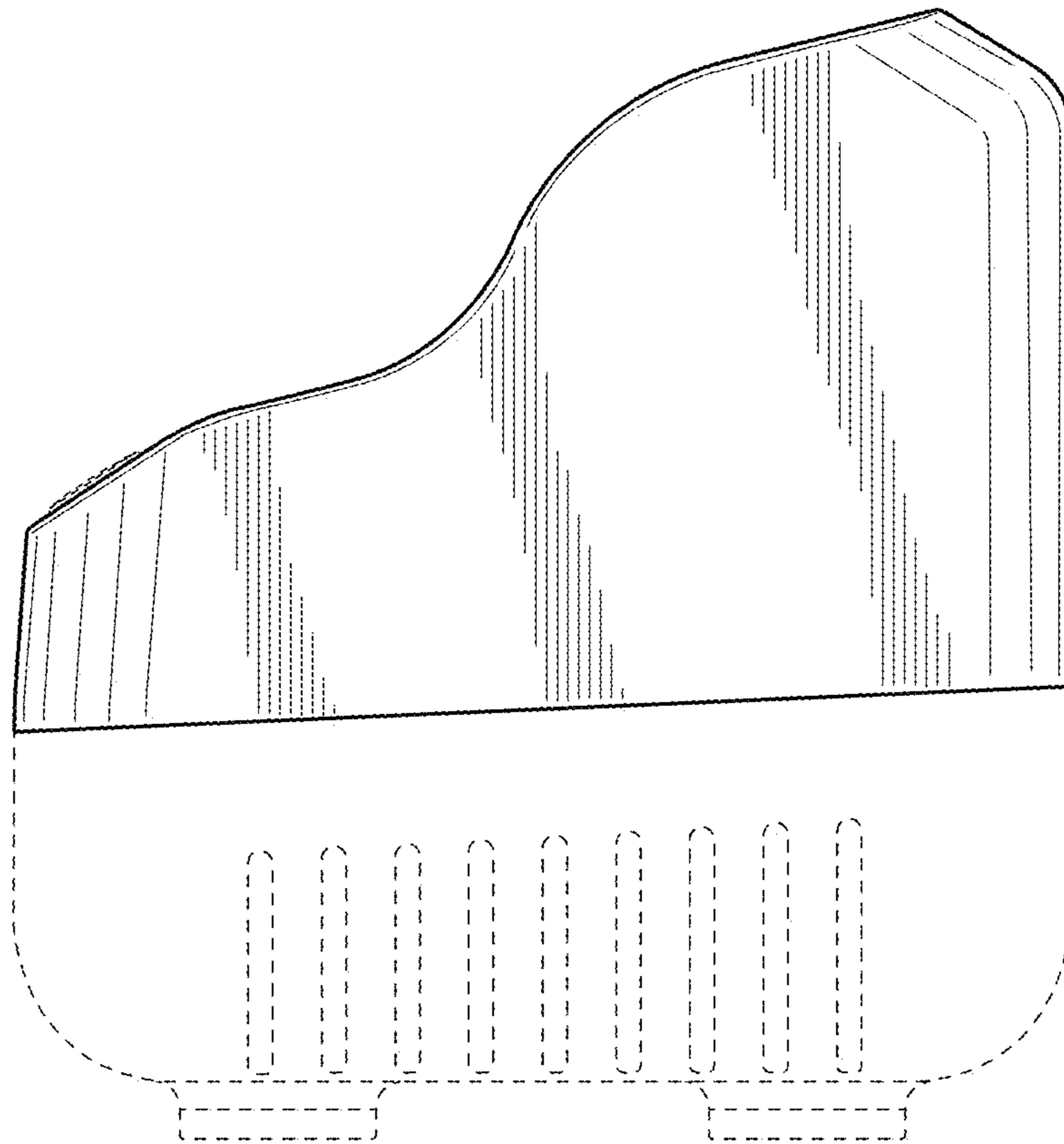


FIG. 8

