



US00D929323S

(12) **United States Design Patent**  
**Oba et al.**

(10) **Patent No.:** **US D929,323 S**

(45) **Date of Patent:** **\*\* Aug. 31, 2021**

(54) **BATTERY CHARGER**

(71) Applicant: **SATO HOLDINGS KABUSHIKI KAISHA**, Tokyo (JP)

(72) Inventors: **Hiroto Oba**, Tokyo (JP); **Yutaro Kumagai**, Kanagawa (JP)

(73) Assignee: **SATO HOLDINGS KABUSHIKI KAISHA**, Tokyo (JP)

(\*\*) Term: **15 Years**

(21) Appl. No.: **29/722,297**

(22) Filed: **Jan. 28, 2020**

(30) **Foreign Application Priority Data**

Jul. 30, 2019 (JP) ..... 2019-017042

(51) **LOC (13) Cl.** ..... **13-02**

(52) **U.S. Cl.**  
USPC ..... **D13/108**

(58) **Field of Classification Search**  
USPC ..... D13/103, 107, 108, 109, 110, 118, 119;  
D14/209.1, 251, 253, 356, 434, 447  
CPC ..... H02J 7/342; H02J 50/00; H01R 2201/06  
See application file for complete search history.

(56) **References Cited**

**U.S. PATENT DOCUMENTS**

D327,248 S *	6/1992	Hotsumi	.....	D13/108
D366,237 S *	1/1996	Yang	.....	D13/108
D446,184 S *	8/2001	Parker	.....	D13/107
D476,659 S *	7/2003	Ying	.....	D14/434
D579,408 S *	10/2008	Benyameen	.....	D13/107
D597,940 S *	8/2009	Navid	.....	D13/108
8,183,825 B2 *	5/2012	Sa	.....	G06F 1/1626 320/107
D723,458 S *	3/2015	Martinez	.....	D13/108
D894,906 S *	9/2020	Li	.....	D14/434
D902,212 S *	11/2020	Sjogren	.....	D14/434

10,888,792 B2 *	1/2021	Loh	.....	A63F 13/24
2011/0121783 A1 *	5/2011	Boyles	.....	H02J 7/0042 320/113
2013/0328523 A1 *	12/2013	Ota	.....	H02J 7/0045 320/107

**OTHER PUBLICATIONS**

“Wii U Dual Remote Controller Charger Dock Station”. Found online Apr. 6, 2021 at walmart.com. Reference dated Dec. 9, 2013. Retrieved from <https://www.walmart.com/ip/Nintendo-Wii-U-Dual-Remote-Controller-Charger-Dock-Station-2x-Replacement-Battery-by-Insten-White/28881787>. (Year: 2013).\*

(Continued)

*Primary Examiner* — Kendra Leslie Hamilton

*Assistant Examiner* — Amanda Christensen

(74) *Attorney, Agent, or Firm* — Andrew F. Young, Esq.;  
Nolte Lackenbach Siegel

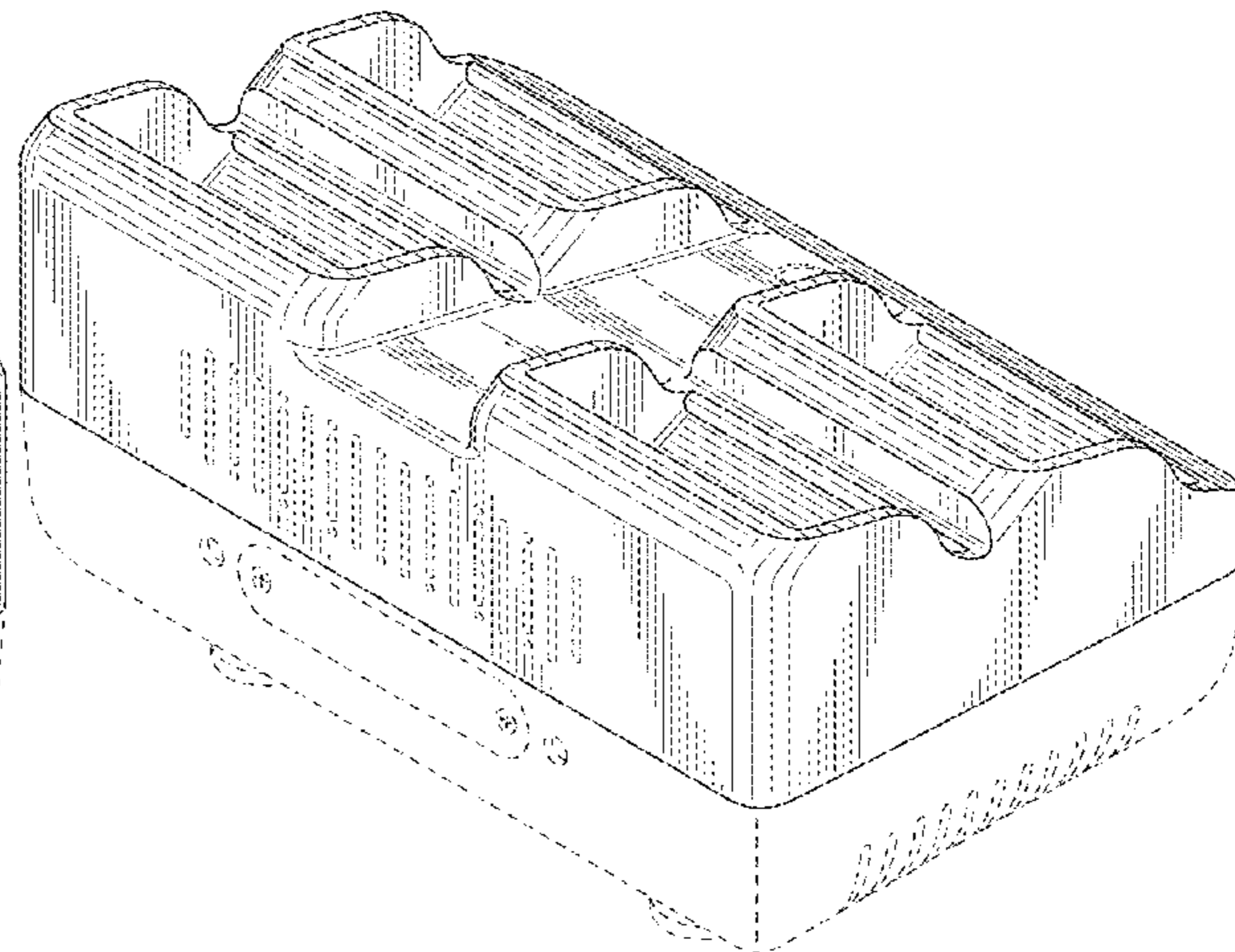
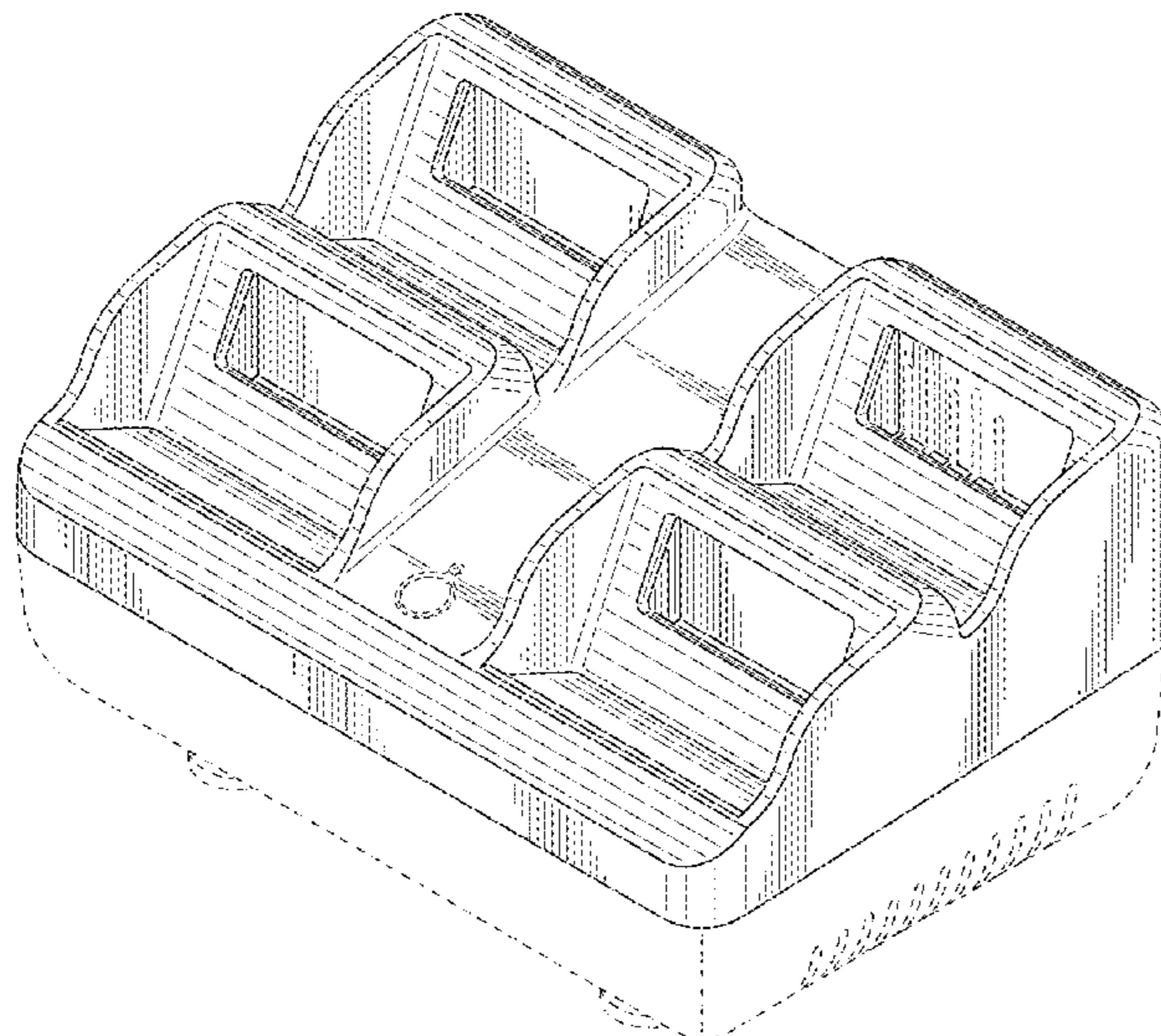
(57) **CLAIM**

The ornamental design for a battery charger, as shown and described.

**DESCRIPTION**

FIG. 1 is a top, front, right side perspective view of a battery charger showing our new design.  
FIG. 2 is a top, rear, left side perspective view thereof.  
FIG. 3 is a front elevation view thereof.  
FIG. 4 is a rear elevation view thereof.  
FIG. 5 is a top plan view thereof.  
FIG. 6 is a bottom plan view thereof.  
FIG. 7 is a right side elevation view thereof; and,  
FIG. 8 is a left side elevation view thereof.  
The dash-dash lines in the figures form no part of the claimed design.

**1 Claim, 8 Drawing Sheets**



(56)

**References Cited**

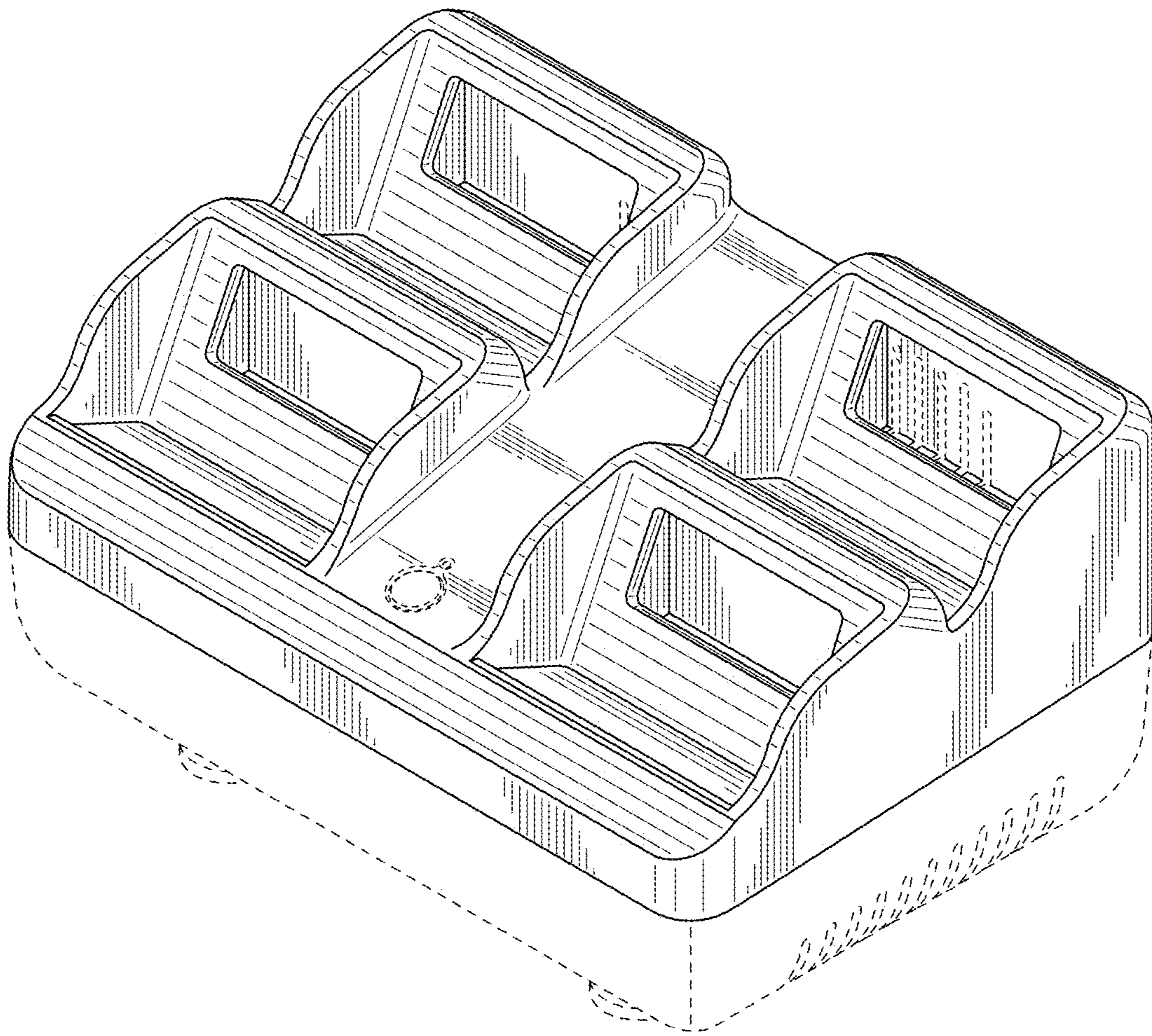
OTHER PUBLICATIONS

“PDP Energizer Nintendo Wii U and Wii Controller Charger”. Found online Apr. 6, 2021 at [walmart.com](https://www.walmart.com/ip/PDP-Energizer-Nintendo-Wii-U-and-Wii-Controller-Charger-Black/40549448). Reference dated May 6, 2015. Retrieved from <https://www.walmart.com/ip/PDP-Energizer-Nintendo-Wii-U-and-Wii-Controller-Charger-Black/40549448>. (Year: 2015).\*

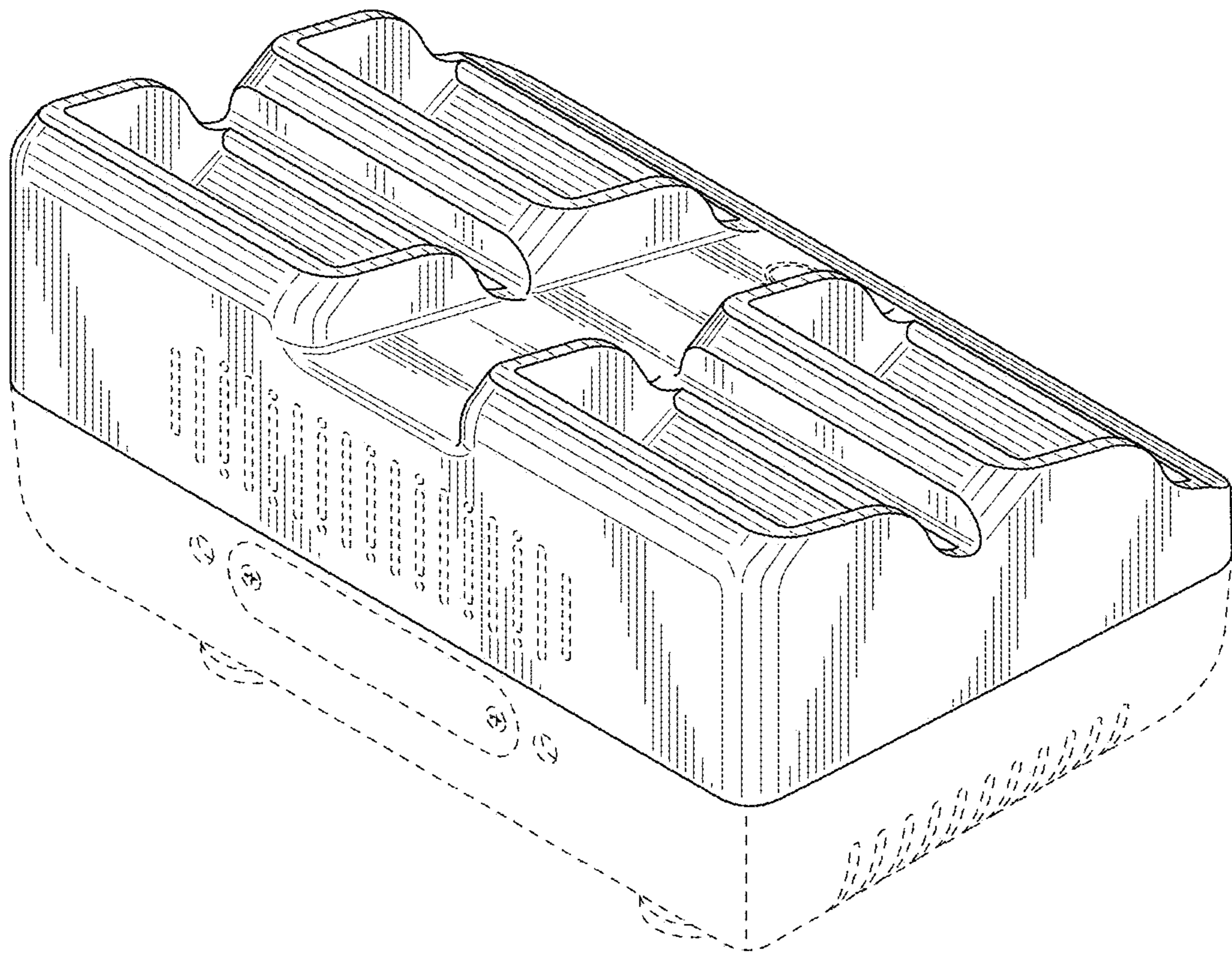
“Dolgin Engineering Battery Charger”. Found online Apr. 7, 2021 at [bhphotovideo.com](https://www.bhphotovideo.com/c/product/1255791-REG/dolgin_engineering_tc400_son_u_four_position_charger_with_diagnostics.html/reviews). Reference dated Aug. 20, 2008. Retrieved from [https://www.bhphotovideo.com/c/product/1255791-REG/dolgin\\_engineering\\_tc400\\_son\\_u\\_four\\_position\\_charger\\_with\\_diagnostics.html/reviews](https://www.bhphotovideo.com/c/product/1255791-REG/dolgin_engineering_tc400_son_u_four_position_charger_with_diagnostics.html/reviews). (Year: 2008).\*

\* cited by examiner

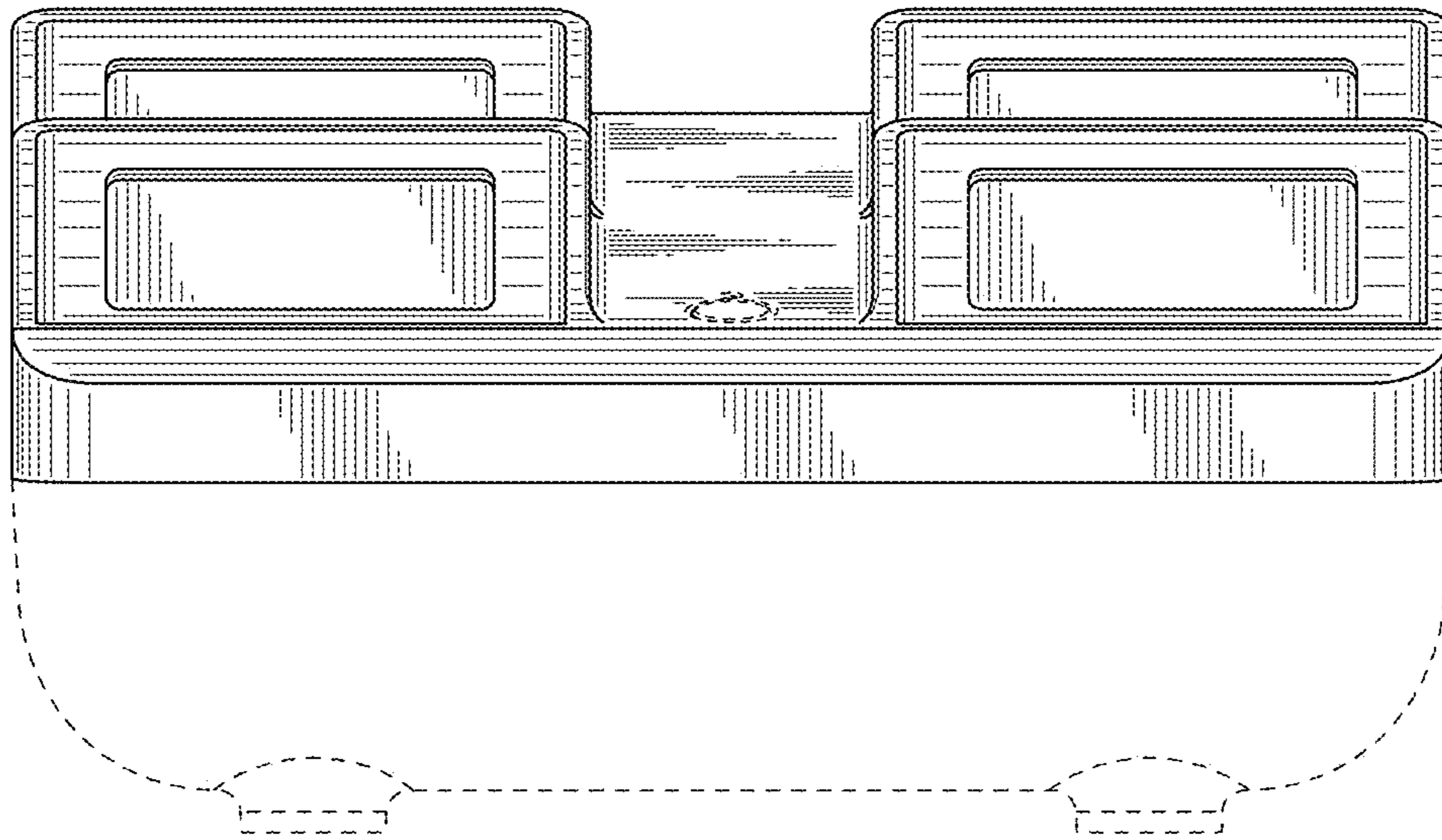
**FIG. 1**



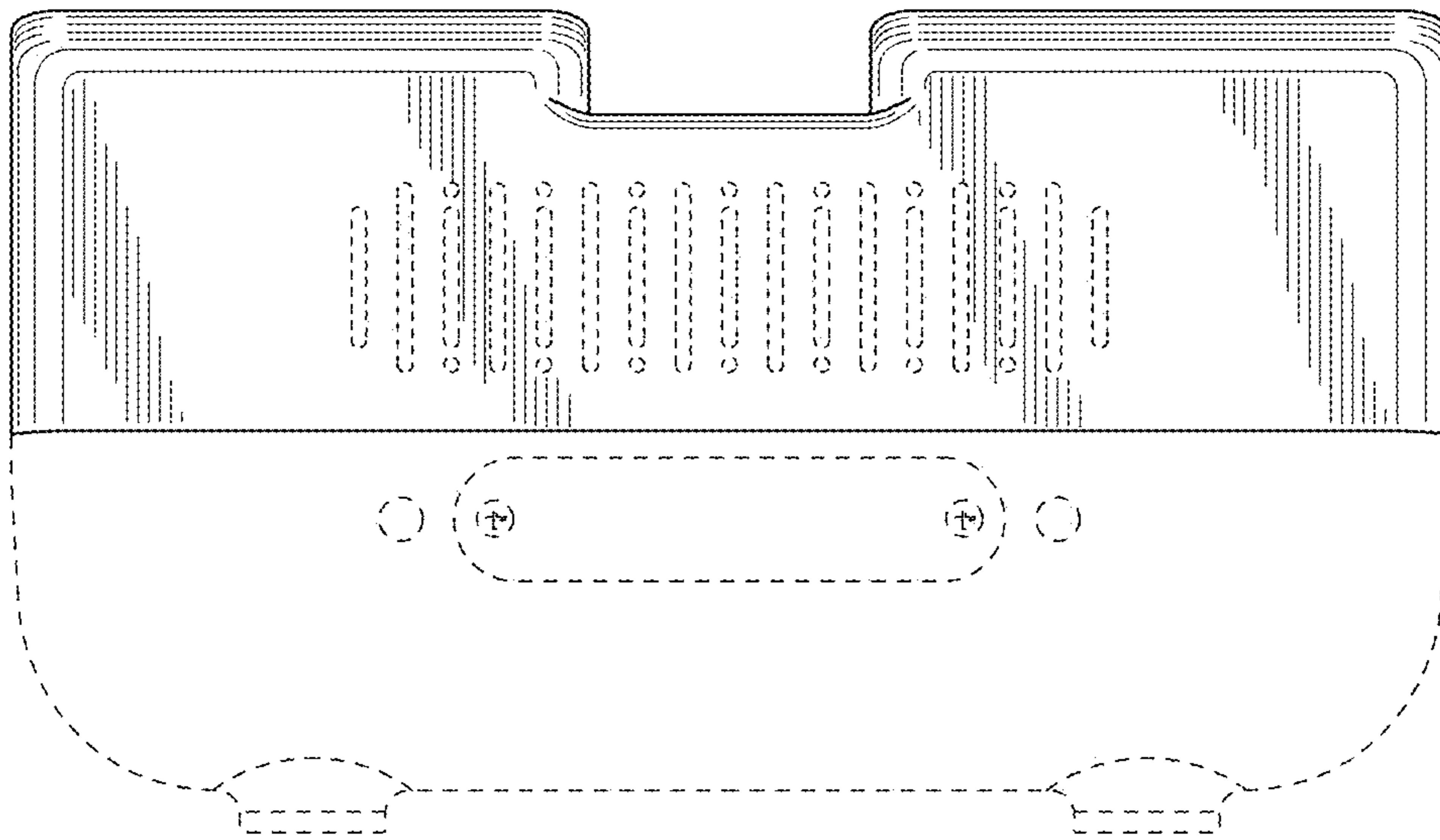
**FIG. 2**



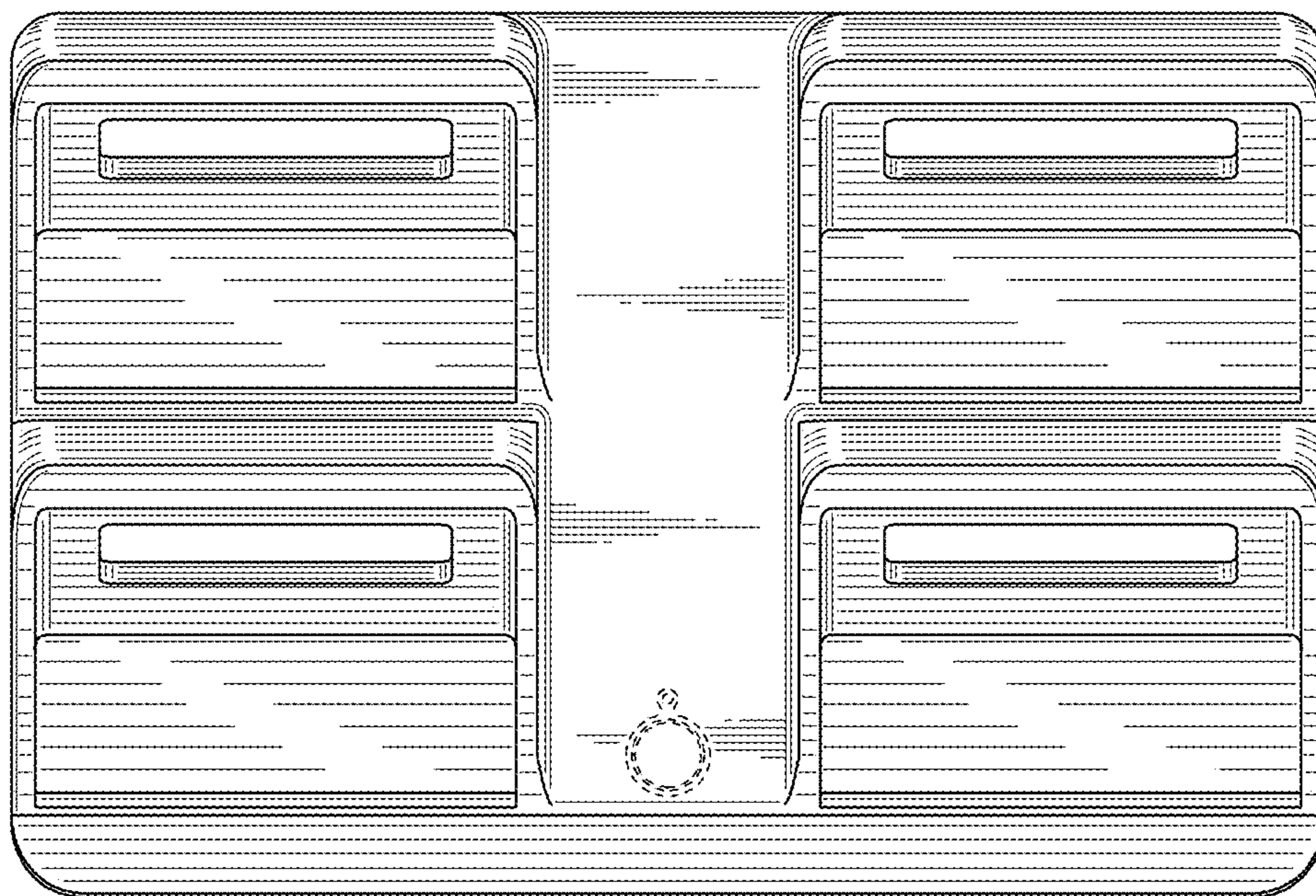
*FIG. 3*



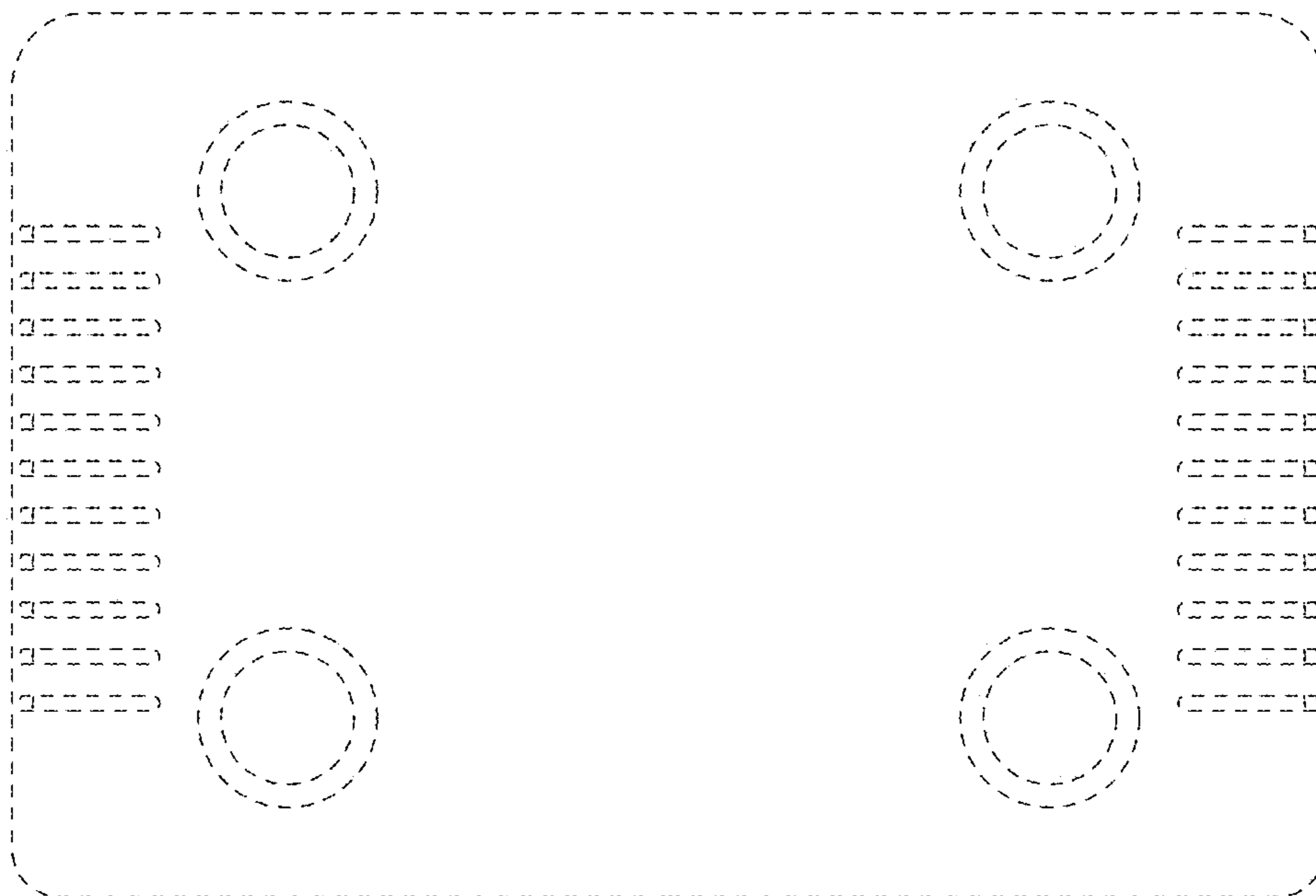
**FIG. 4**



*FIG. 5*

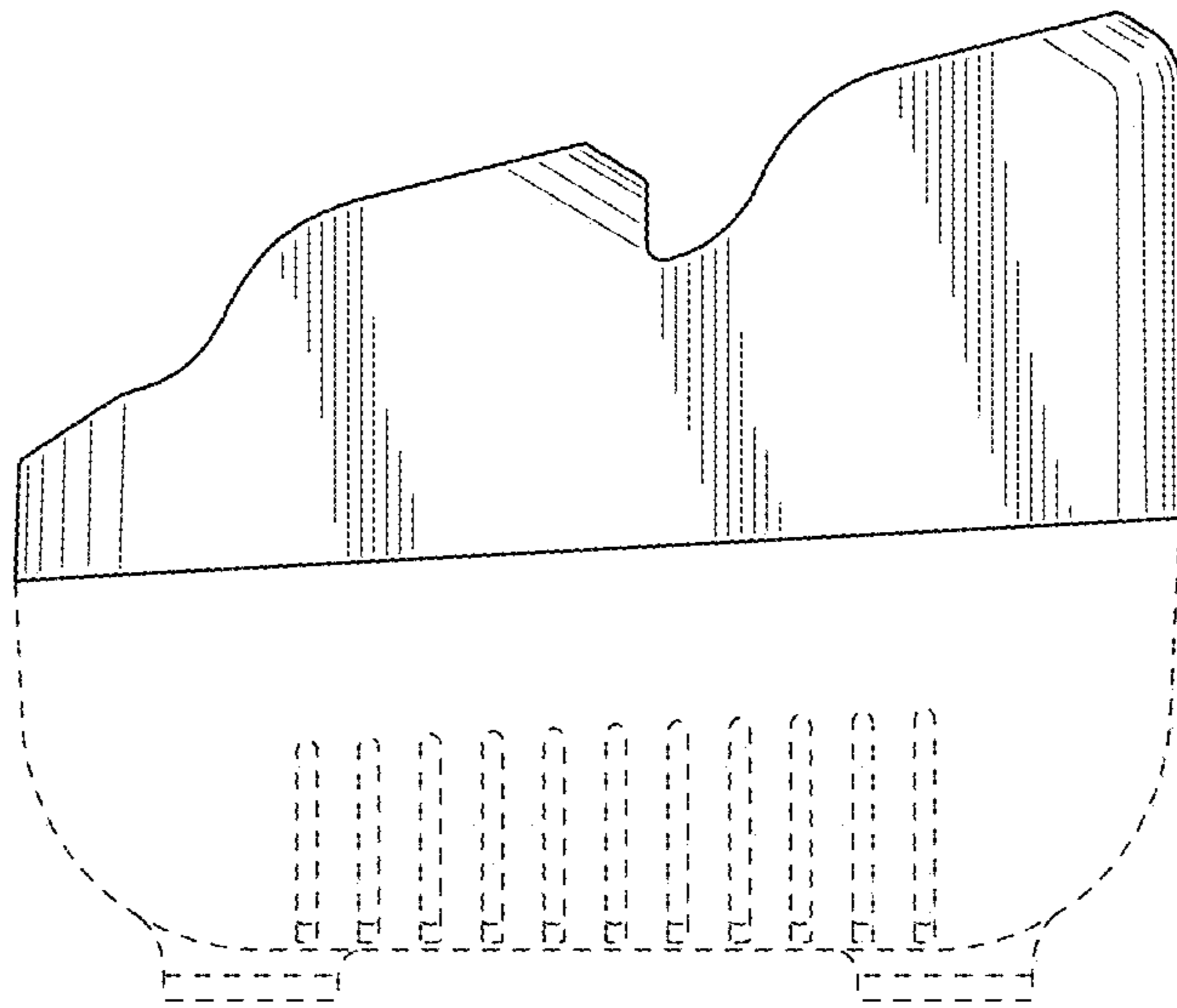


**FIG. 6**





**FIG. 7**



**FIG. 8**

