



US00D929321S

(12) **United States Design Patent**
Zhu et al.

(10) **Patent No.:** **US D929,321 S**

(45) **Date of Patent:** **** *Aug. 31, 2021**

(54) **FIVE-PORT WIRELESS CHARGING STATION**

(71) Applicants: **Wuqi Zhu**, Hu'nan (CN); **Hao Chen**, Hu'nan (CN)

(72) Inventors: **Wuqi Zhu**, Hu'nan (CN); **Hao Chen**, Hu'nan (CN)

(*) Notice: This patent is subject to a terminal disclaimer.

(**) Term: **15 Years**

(21) Appl. No.: **29/669,097**

(22) Filed: **Nov. 5, 2018**

(51) **LOC (13) Cl.** **13-02**

(52) **U.S. Cl.**
USPC **D13/108**

(58) **Field of Classification Search**

USPC D13/103, 107-110, 118, 119, 146, 147, D13/153, 155, 184, 199, 154; D32/31; D8/356, 358

CPC Y02E 60/12; H02J 7/025; H02J 7/0042; H02J 7/0044; H02J 7/0045; H02J 7/0003; H02J 7/0027; H02J 7/0013; H02J 7/0054; H02J 7/00; H02J 2001/008; H02J 3/32; H02J 3/008; H01F 38/14; H01R 13/6675; H01M 2/1022; H01M 2/1055; H01M 10/44; H01M 10/46; H01M 10/425; B60L 11/182; B60L 11/1809; B60L 11/1861; B60R 16/03

See application file for complete search history.

(56) **References Cited**

U.S. PATENT DOCUMENTS

D669,430 S * 10/2012 Budike D13/108
D705,722 S * 5/2014 Gengler D13/107

D709,445 S * 7/2014 Yeh D13/107
D761,729 S * 7/2016 Leong D13/108
D778,829 S * 2/2017 Marmus D13/108
D818,432 S * 5/2018 Zhu D13/108
D823,796 S * 7/2018 Zhang D13/108
D845,234 S * 4/2019 Gao D13/108
D850,369 S * 6/2019 Wang D13/108
D860,132 S * 9/2019 Fu D13/108
D870,657 S * 12/2019 Liang D13/108
D883,207 S * 5/2020 Sakamoto D13/110
D887,350 S * 6/2020 Yamamoto D13/108
D896,170 S * 9/2020 Xiao D13/108
D897,286 S * 9/2020 Zhu D13/108

* cited by examiner

Primary Examiner — Christy Nemeth

(74) *Attorney, Agent, or Firm* — Justin Lampel

(57) **CLAIM**

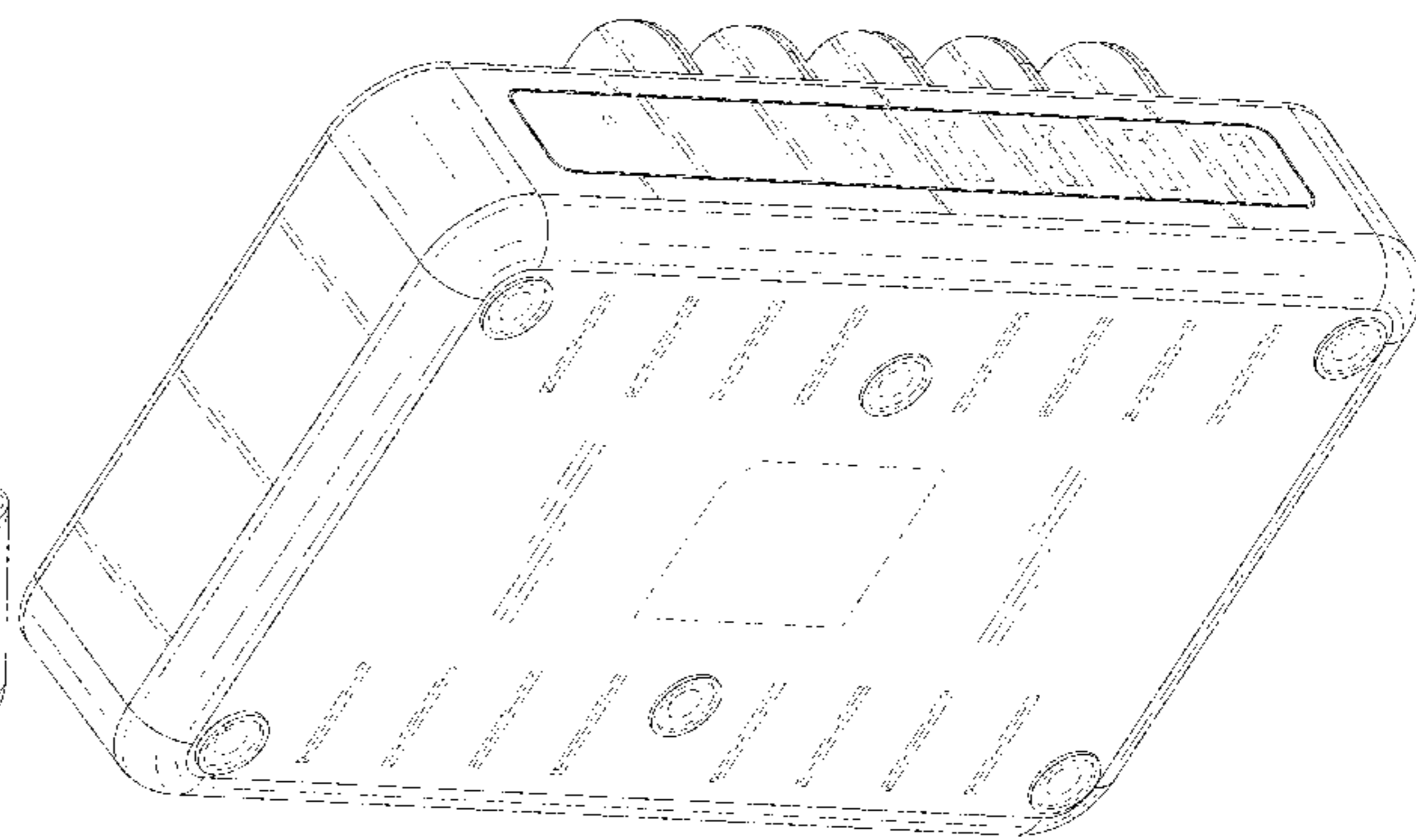
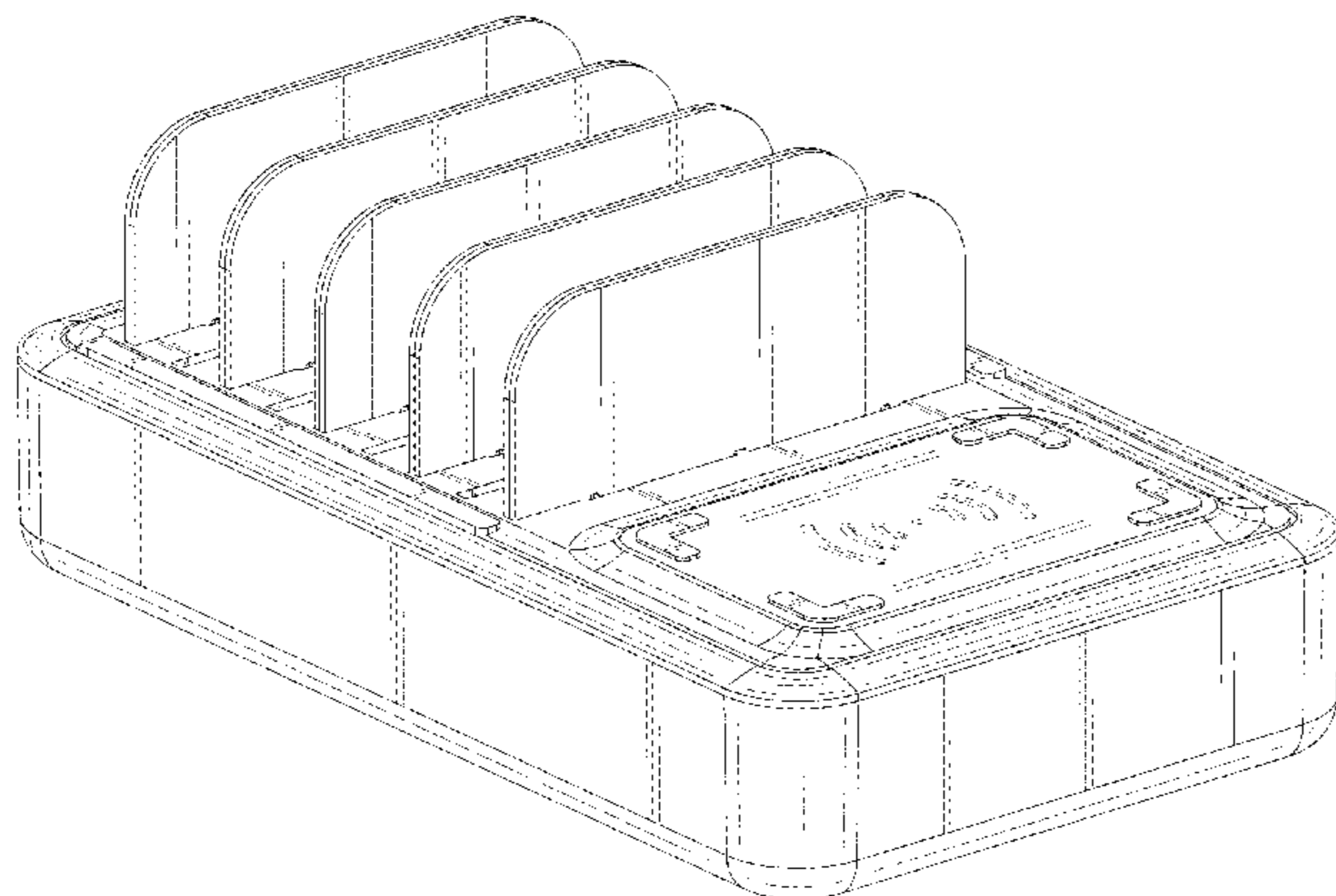
The ornamental design for a five-port wireless charging station, as shown and described.

DESCRIPTION

FIG. 1 is a top perspective view of a five-point wireless charging station showing our new design; FIG. 2 is a bottom perspective view thereof; FIG. 3 is a top plan view thereof; FIG. 4 is a rear elevational view thereof; FIG. 5 is a bottom plan view thereof; FIG. 6 is a right side view thereof; FIG. 7 is a front elevational view thereof; and, FIG. 8 is a left side view thereof.

The broken lines in the drawings are for the purpose of illustrating portions of the article that form no part of the claimed design.

1 Claim, 8 Drawing Sheets



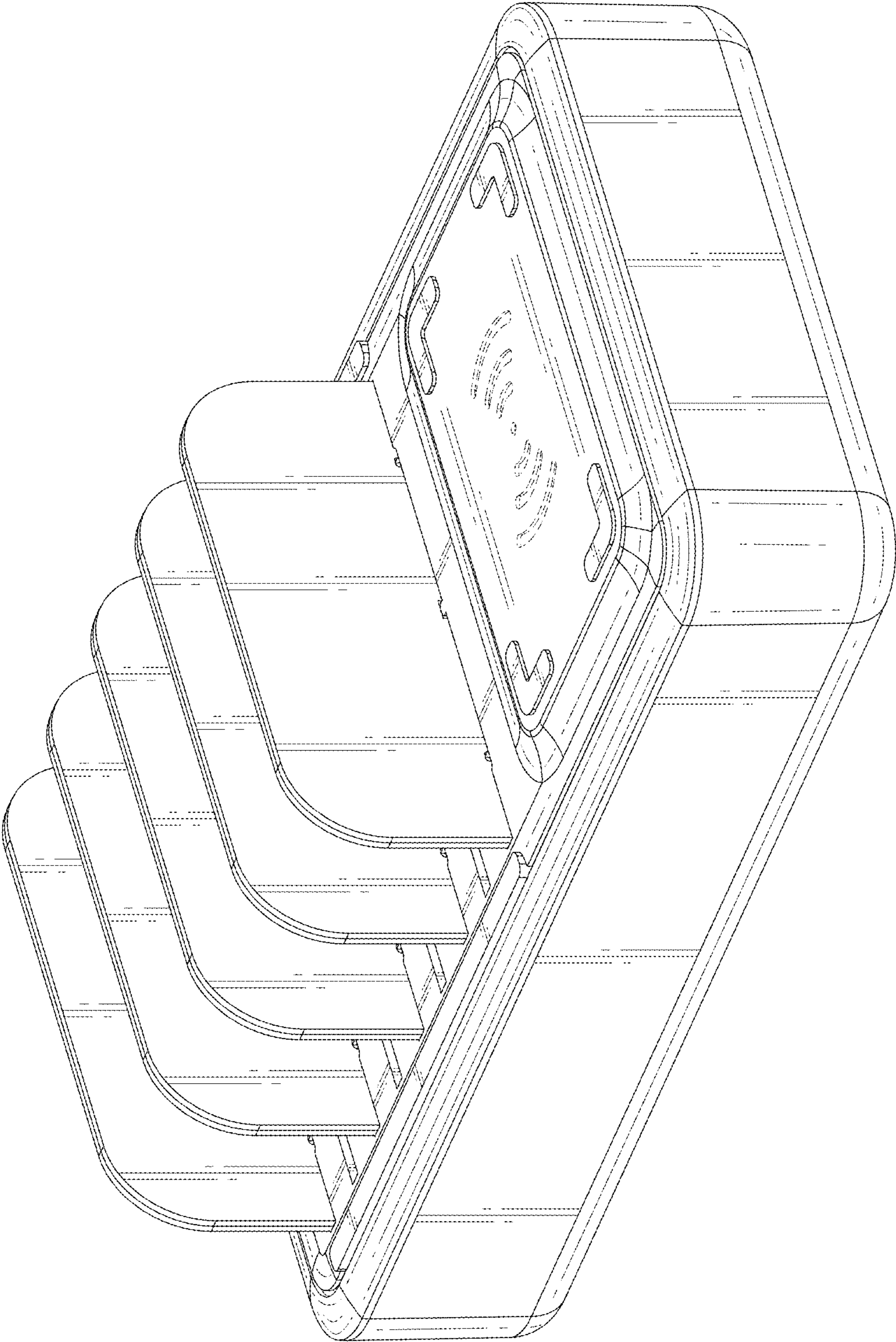


FIG. 1

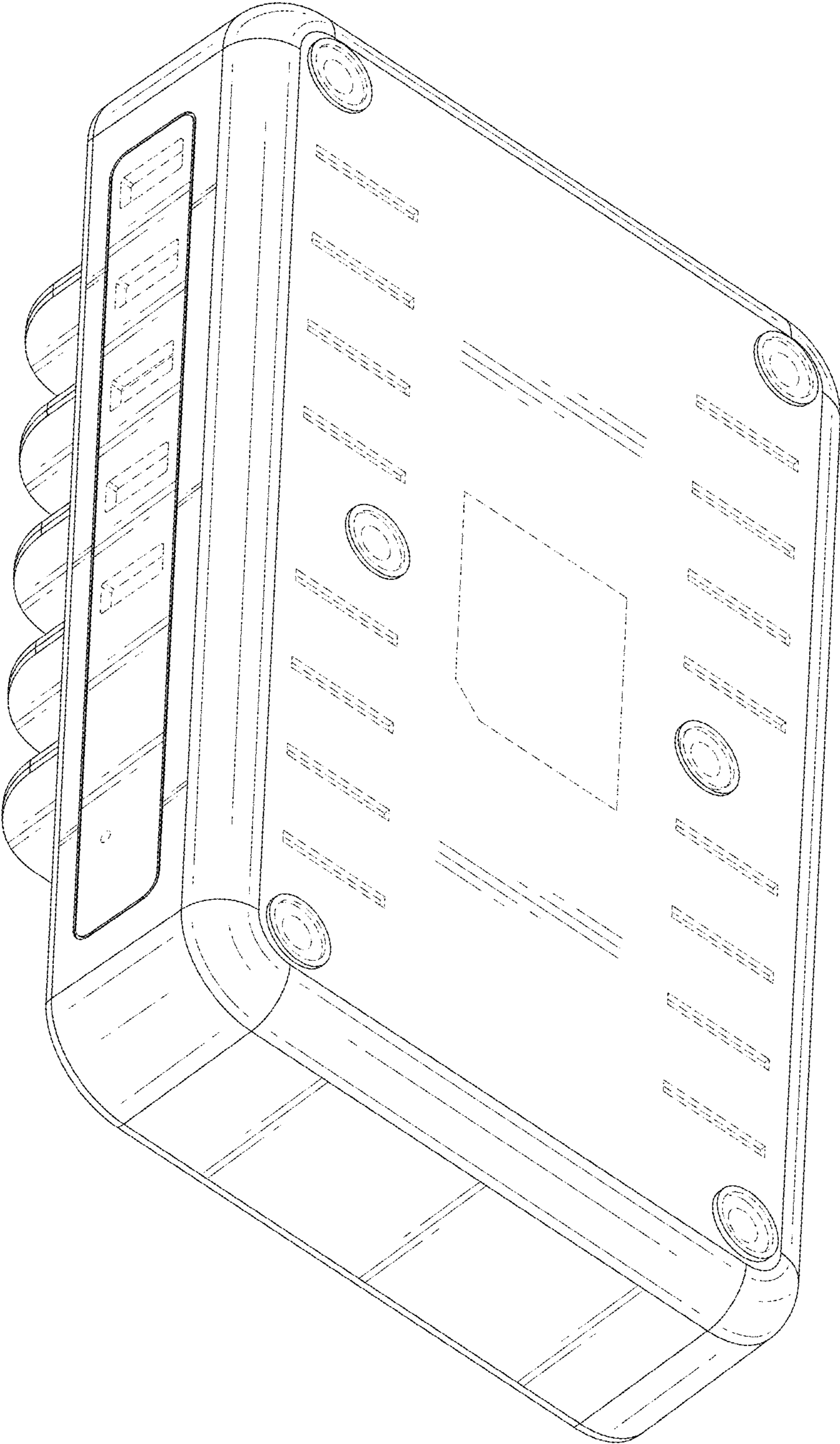


FIG. 2

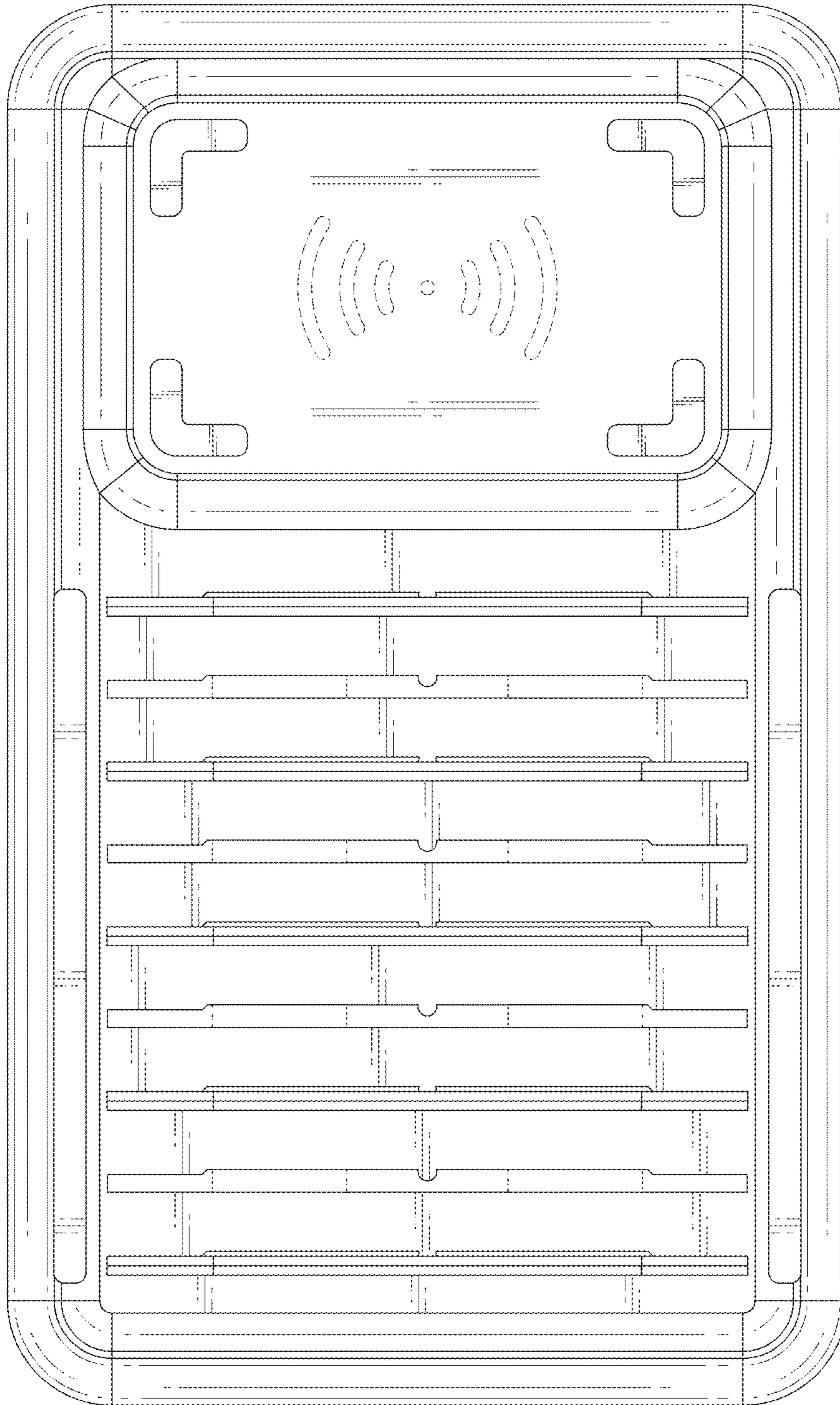


FIG. 3

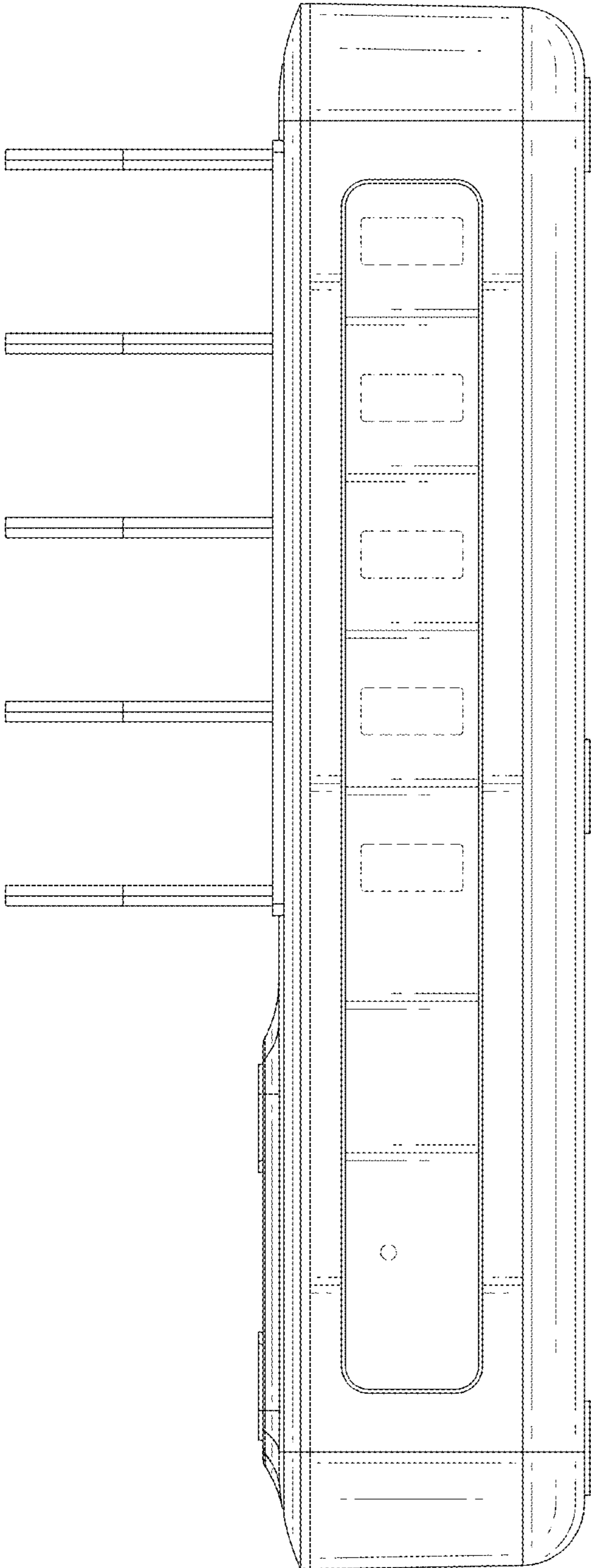


FIG. 4

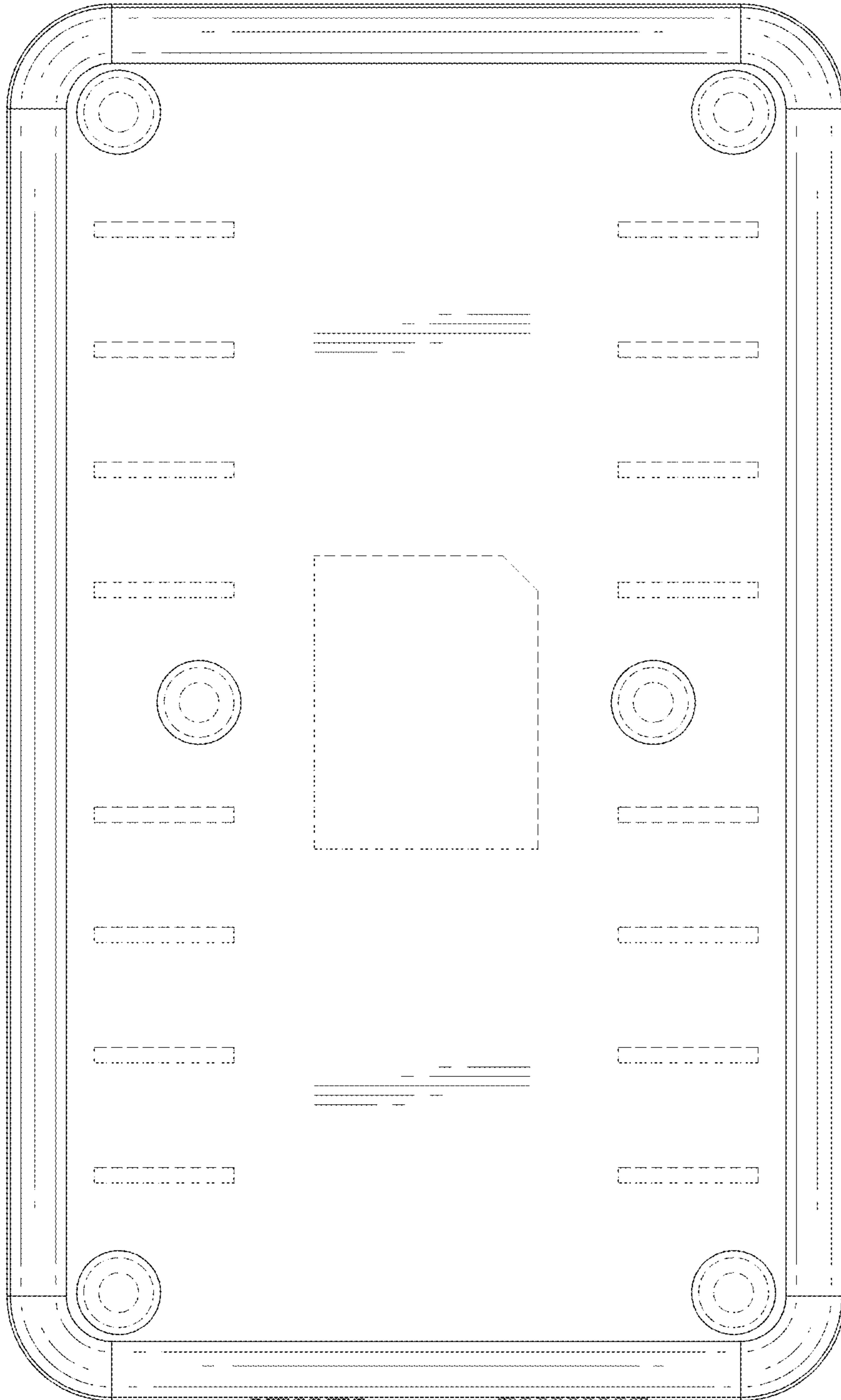


FIG. 5

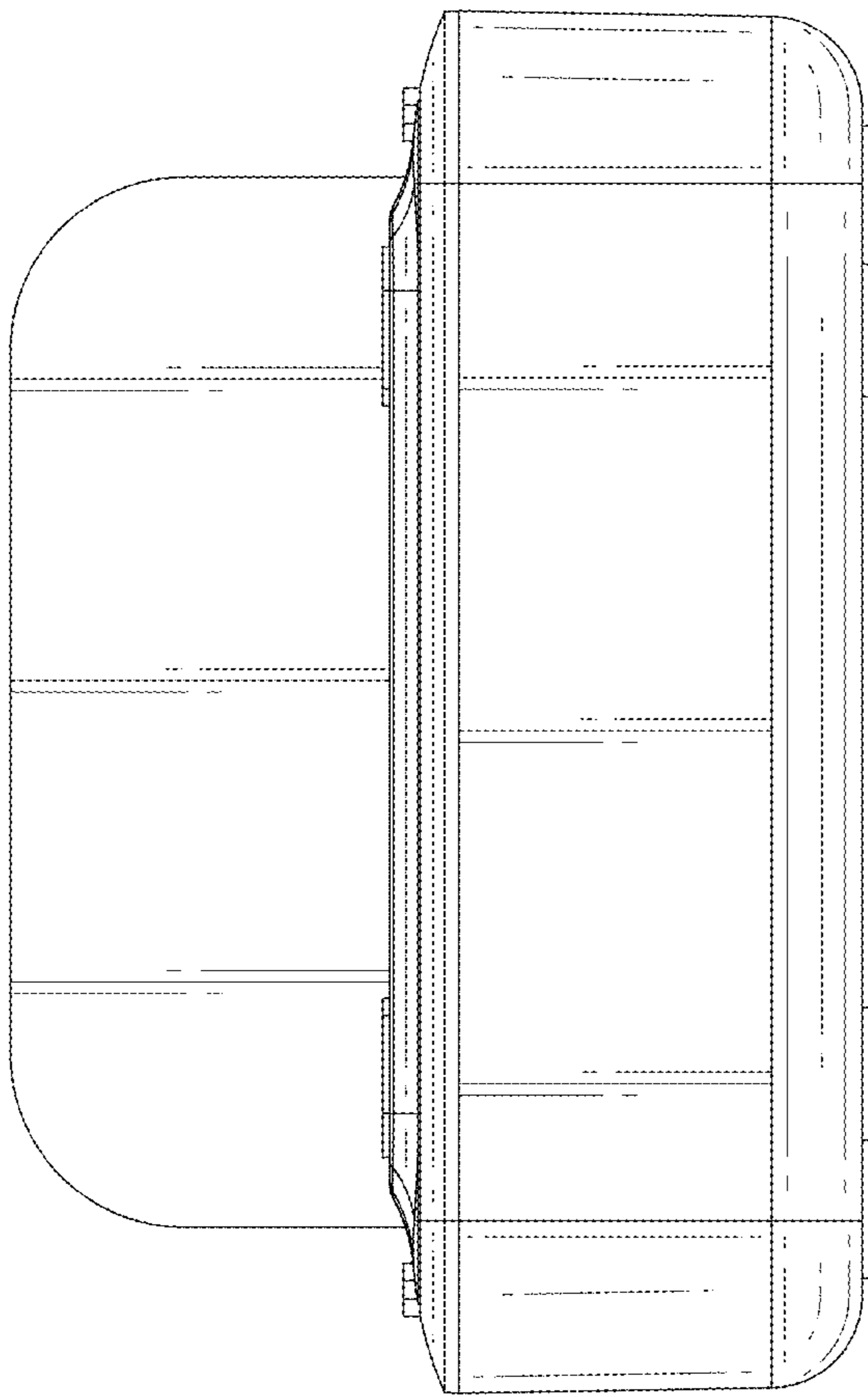


FIG. 6

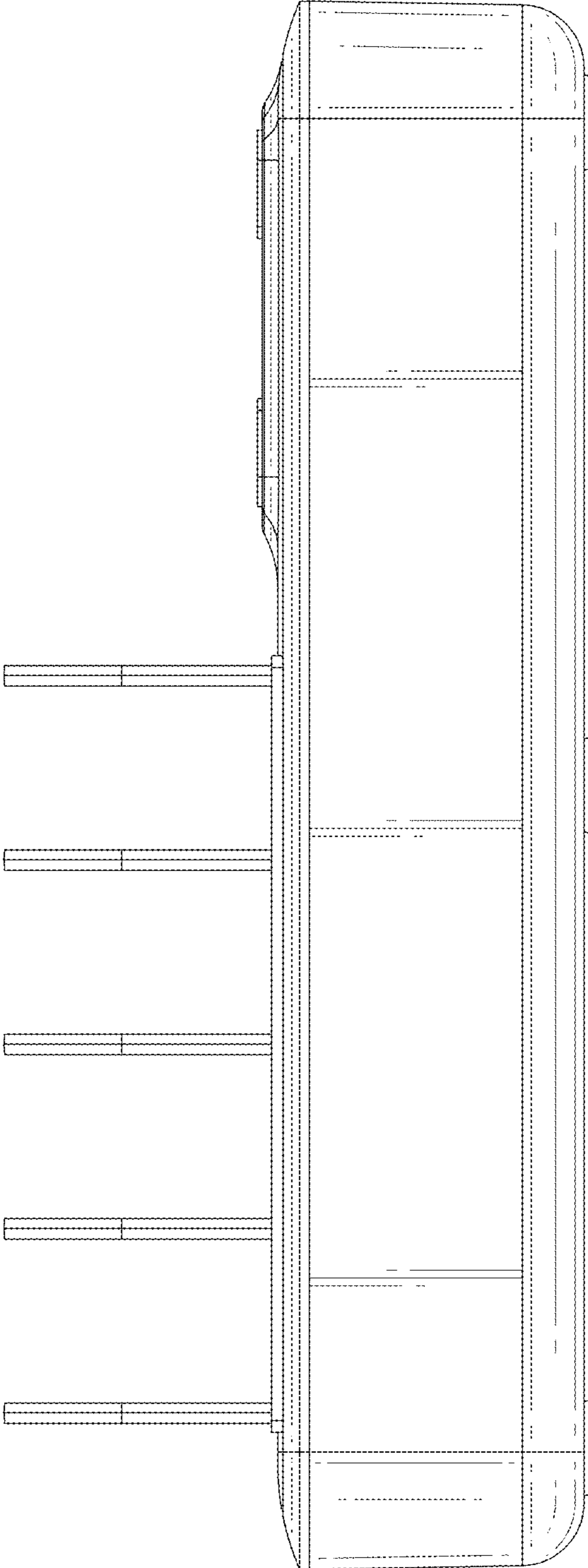


FIG. 7

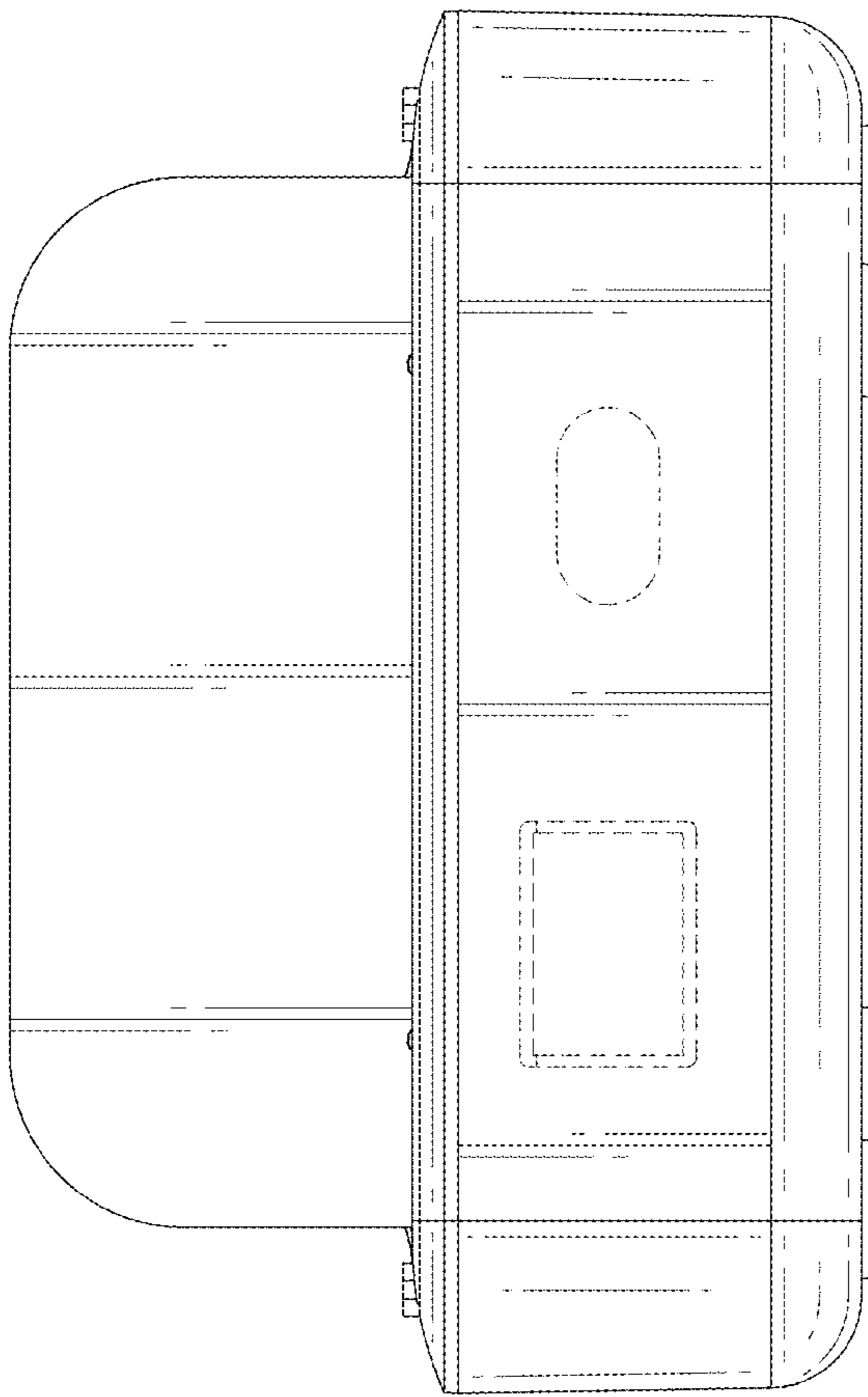


FIG. 8