



US00D929319S

(12) **United States Design Patent**
Dinh et al.

(10) **Patent No.:** **US D929,319 S**

(45) **Date of Patent:** **** Aug. 31, 2021**

(54) **BATTERY FOR AN ELECTRONIC DEVICE**

(71) Applicant: **Apple Inc.**, Cupertino, CA (US)

(72) Inventors: **Richard Hung Minh Dinh**, Saratoga, CA (US); **Bryan D. Keen**, San Francisco, CA (US); **Benjamin J. Pope**, Mountain View, CA (US)

(73) Assignee: **Apple Inc.**, Cupertino, CA (US)

(**) Term: **15 Years**

(21) Appl. No.: **29/714,470**

(22) Filed: **Nov. 22, 2019**

(51) **LOC (13) Cl.** **13-02**

(52) **U.S. Cl.**
USPC **D13/103**

(58) **Field of Classification Search**
USPC D13/102–106, 110, 118–119, 184
CPC Y02E 60/10; H01M 6/00; H01M 6/14;
H01M 6/05; H01M 8/10; H01M 10/052;
H01M 10/0562; H01M 10/05
See application file for complete search history.

(56) **References Cited**

U.S. PATENT DOCUMENTS

D337,984 S	8/1993	Lindahl	
D440,201 S *	4/2001	Huynh	D13/103
D479,192 S *	9/2003	Fujihara	D13/103
D479,193 S *	9/2003	Fujihara	D13/103
6,884,540 B2	4/2005	Chikada	
D546,277 S	7/2007	Andre et al.	
7,871,720 B2	1/2011	Myers et al.	
D637,157 S *	5/2011	Andre	D13/119
D658,583 S *	5/2012	Andre	D13/119
D678,184 S *	3/2013	Banko	D13/103
D684,529 S *	6/2013	Moon	D13/103
D684,530 S *	6/2013	Moon	D13/103
D684,531 S	6/2013	Moon et al.	

D689,018 S *	9/2013	Honda	D13/103
D689,019 S *	9/2013	Sato	D13/103
D697,479 S *	1/2014	Andre	D13/119
D700,135 S *	2/2014	Sato	D13/103
D708,128 S	7/2014	Andre et al.	
D711,311 S *	8/2014	Corbin	D13/103
D719,085 S	12/2014	Aoyagi et al.	
D729,805 S	5/2015	Bataillou et al.	
D738,821 S *	9/2015	Banko	D13/103
D758,961 S	6/2016	Aoyagi et al.	
D763,189 S *	8/2016	Spiegel	D13/110
D765,625 S	9/2016	Akana et al.	
D768,566 S	10/2016	Andre et al.	
D794,554 S *	8/2017	Chang	D13/103
D830,964 S	10/2018	Aoyagi et al.	
D843,934 S	3/2019	Tan et al.	
D906,234 S *	12/2020	Bigdeli	D13/103
D910,545 S *	2/2021	Dinh	D13/103
2009/0274953 A1 *	11/2009	Myers	B23P 19/04 429/100
2014/0199575 A1	7/2014	Ryu et al.	

(Continued)

Primary Examiner — Rosemary K Tarcza

(74) *Attorney, Agent, or Firm* — Sterne, Kessler, Goldstein & Fox P.L.L.C.

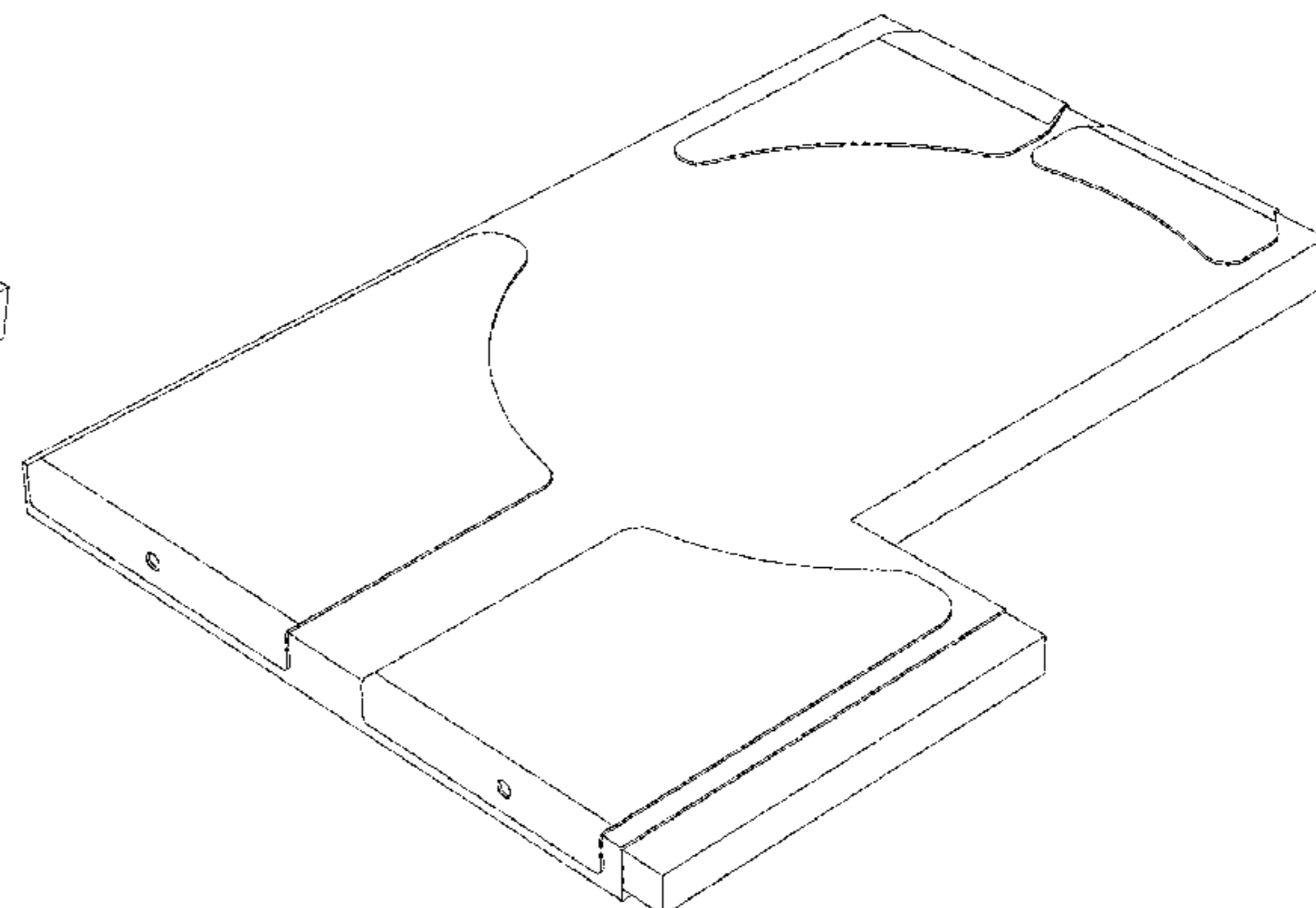
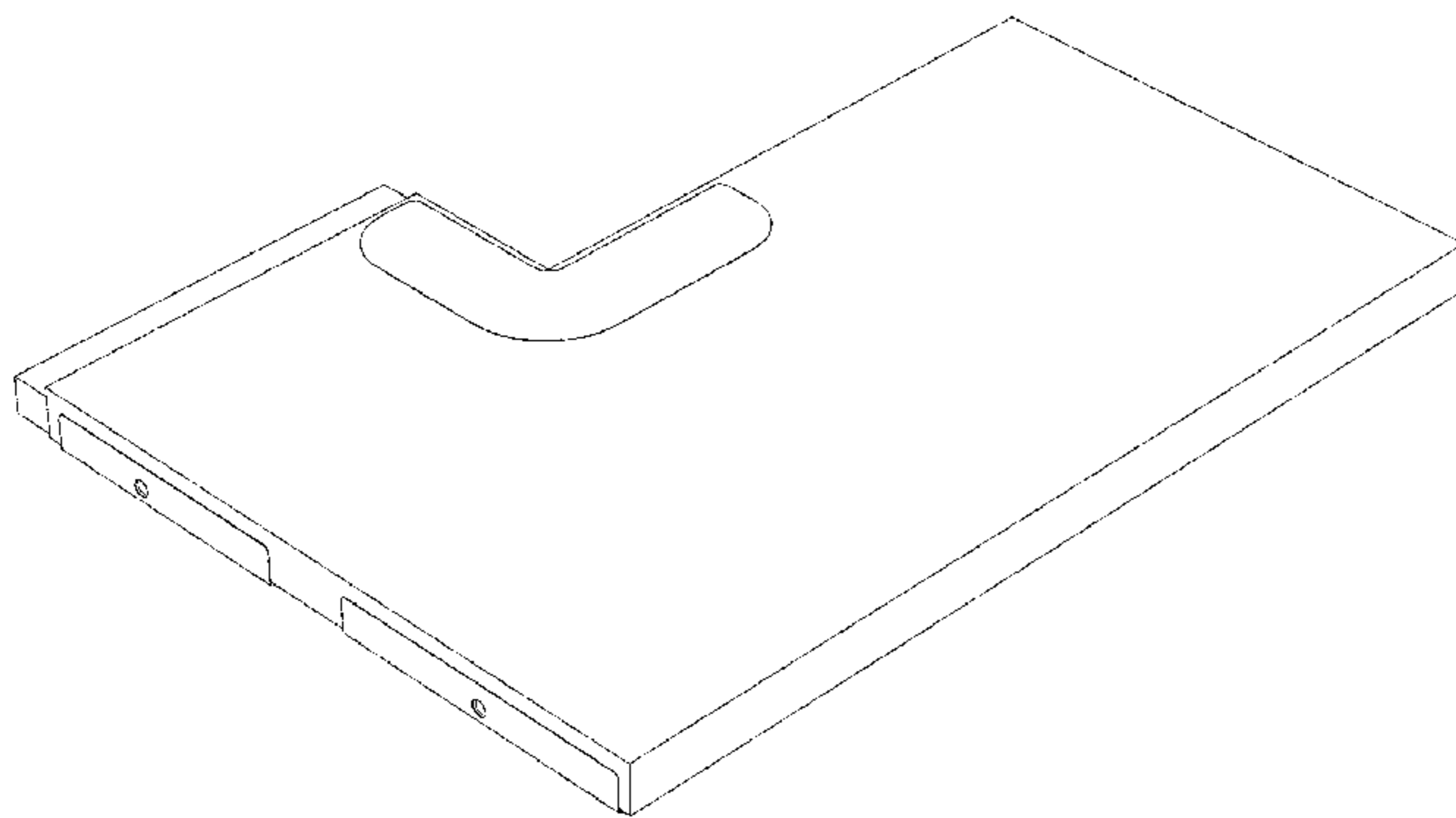
(57) **CLAIM**

The ornamental design for a battery for an electronic device, as shown.

DESCRIPTION

FIG. 1 is a bottom front perspective view of a battery for an electronic device showing the claimed design; FIG. 2 is a bottom rear perspective view thereof; FIG. 3 is a front view thereof; FIG. 4 is a rear view thereof; FIG. 5 is a left side view thereof; FIG. 6 is a right side view thereof; FIG. 7 is a top view thereof; and, FIG. 8 is a bottom view thereof.

1 Claim, 5 Drawing Sheets



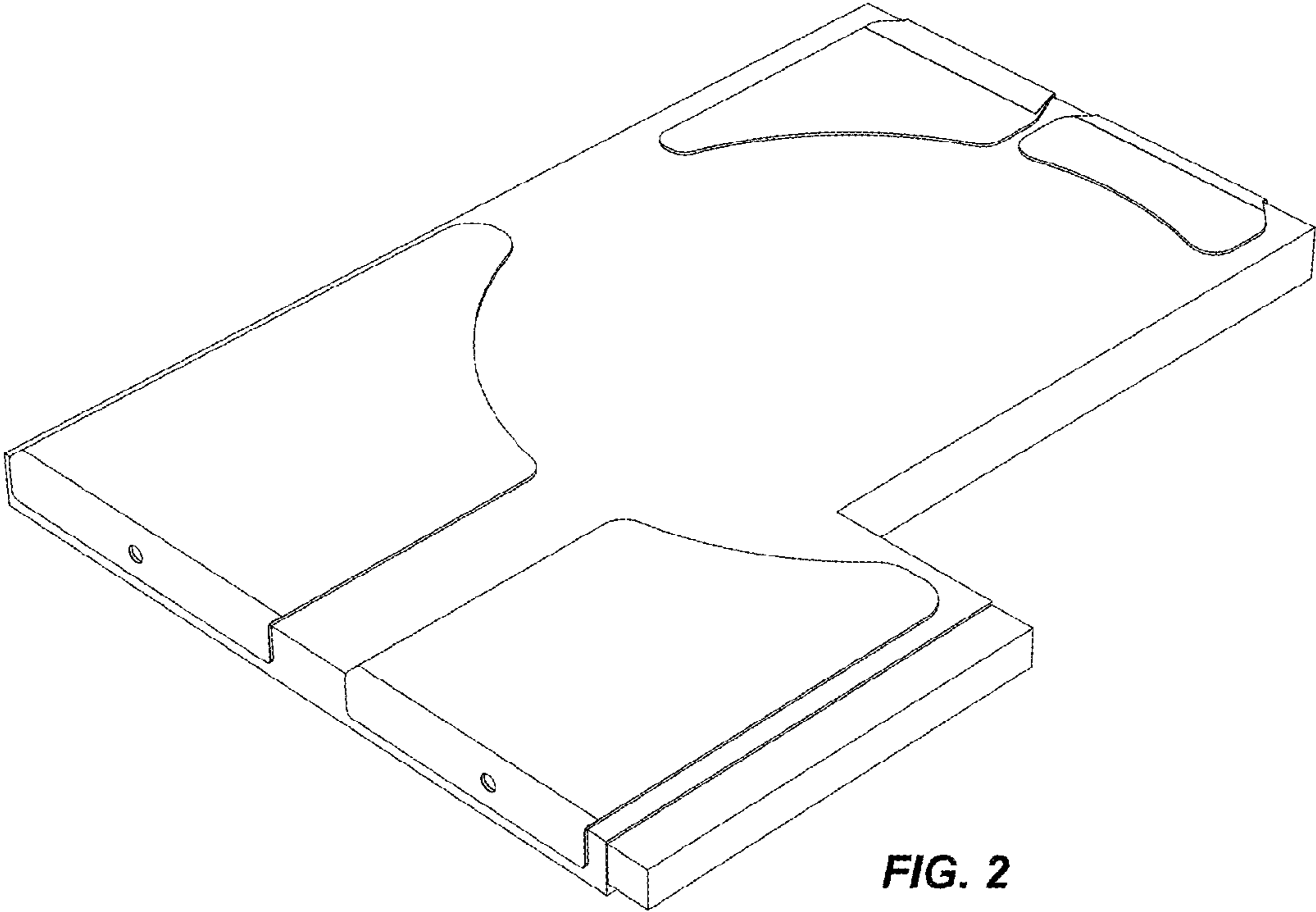
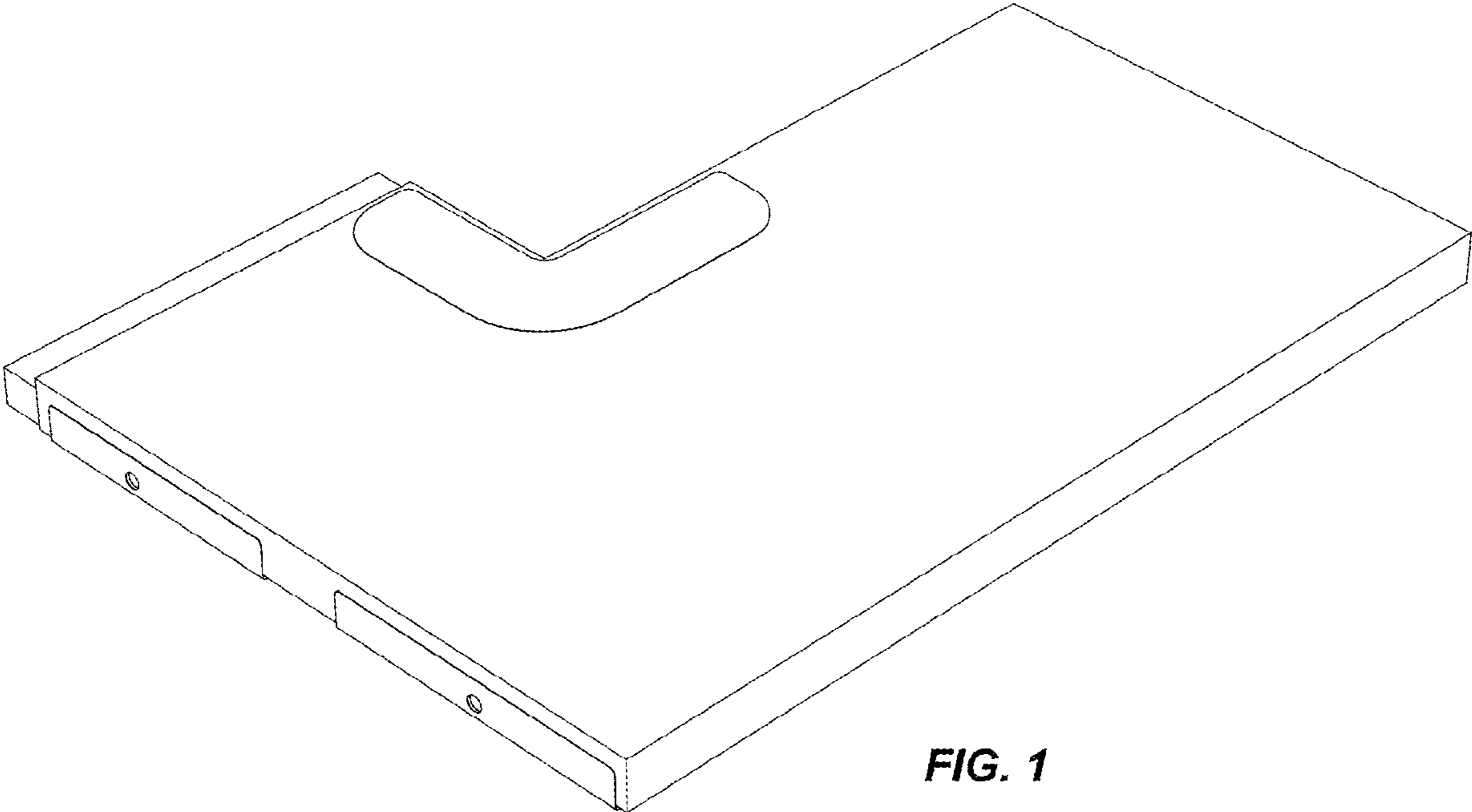
(56)

References Cited

U.S. PATENT DOCUMENTS

2014/0273890 A1* 9/2014 Huang H01M 10/0436
455/90.2
2015/0017514 A1 1/2015 Ahn et al.
2015/0364745 A1* 12/2015 Wang H01M 50/209
429/7
2016/0049696 A1 2/2016 Choi et al.
2019/0081291 A1* 3/2019 Chien H01M 50/209

* cited by examiner



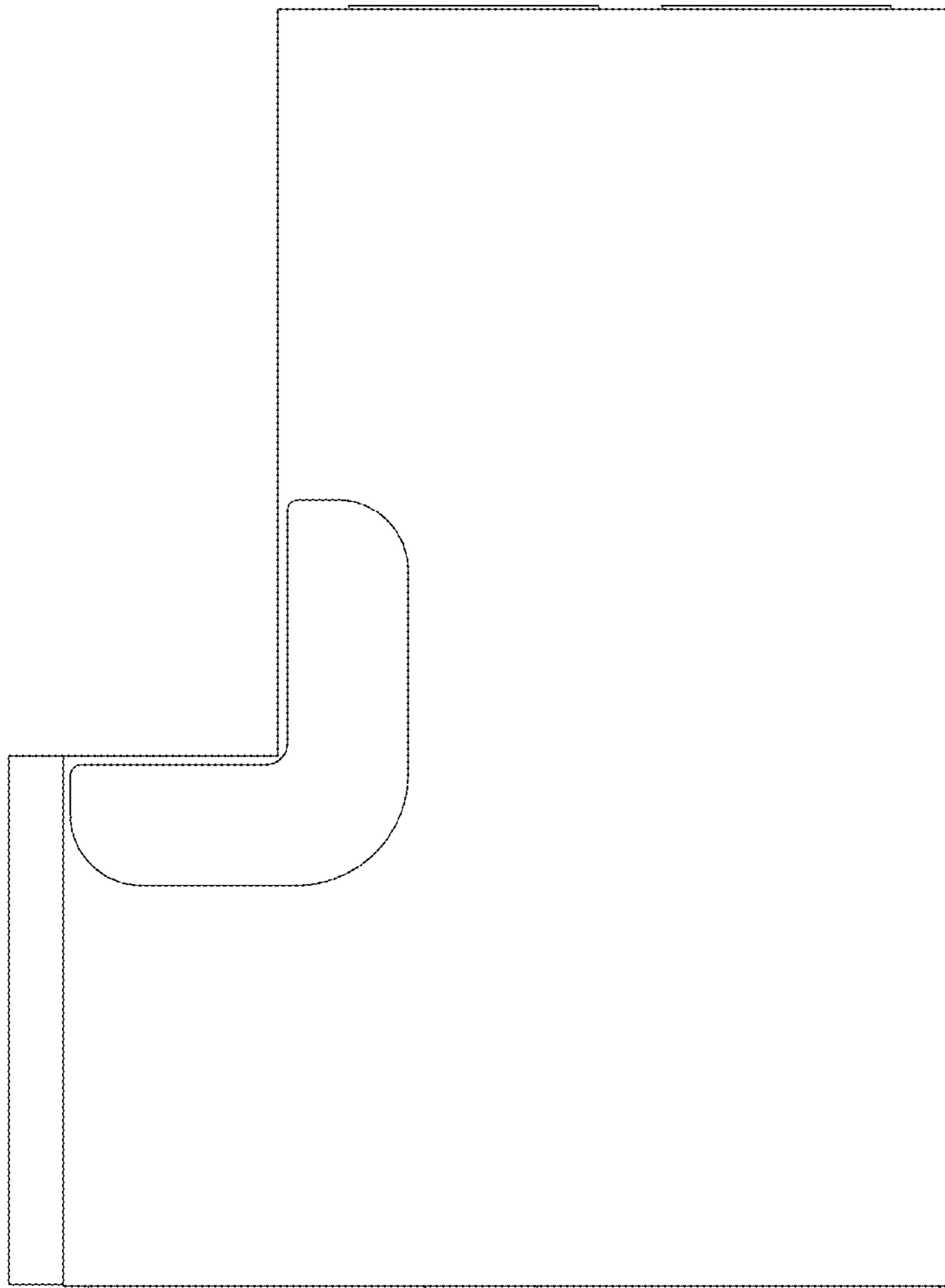


FIG. 3

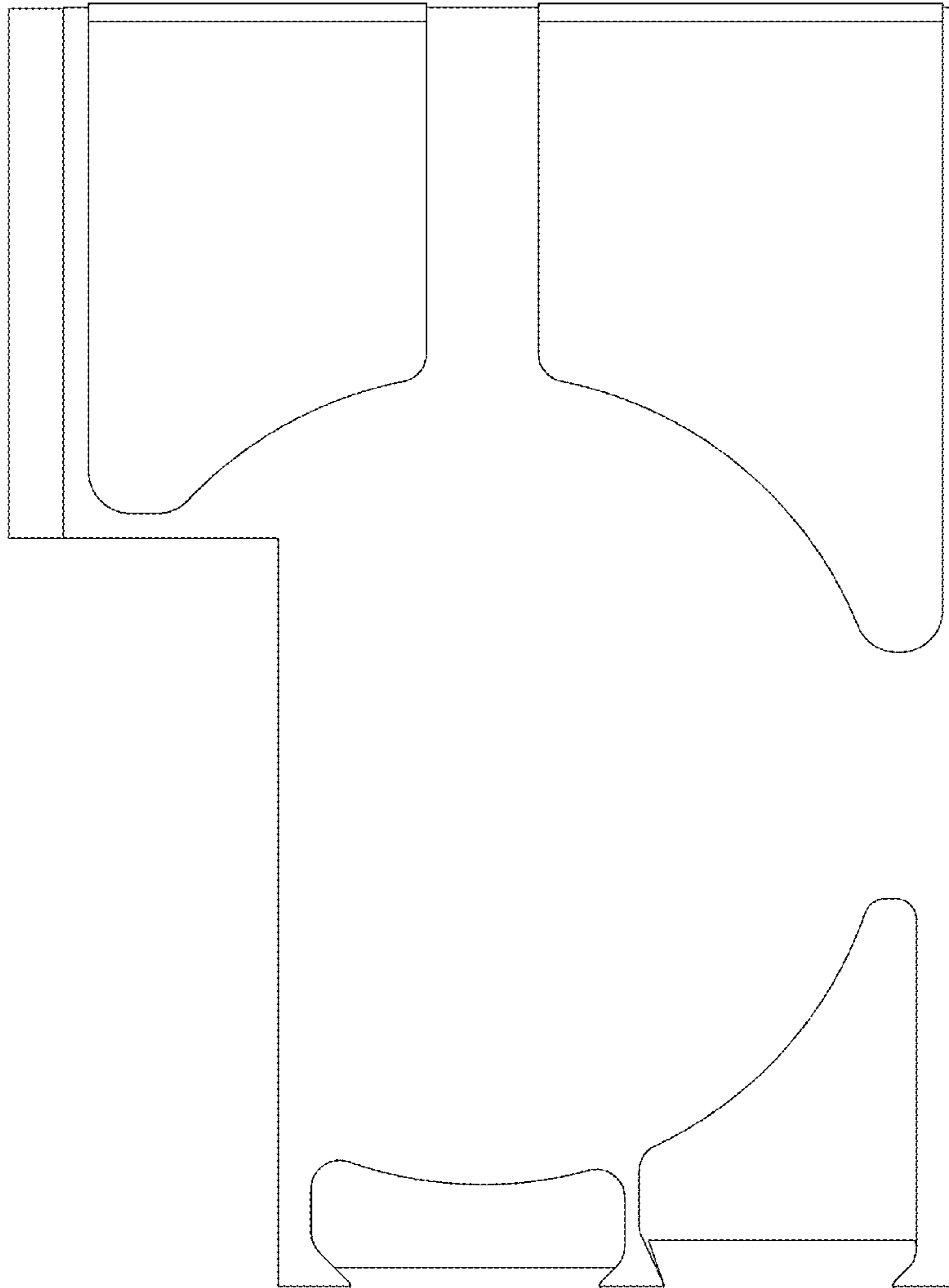


FIG. 4

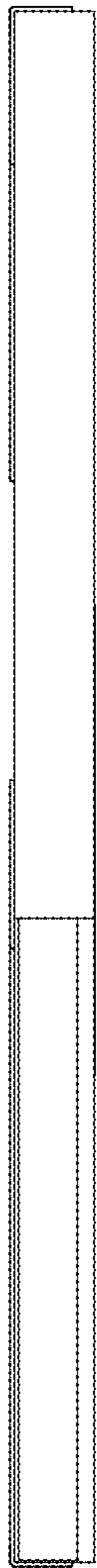


FIG. 5

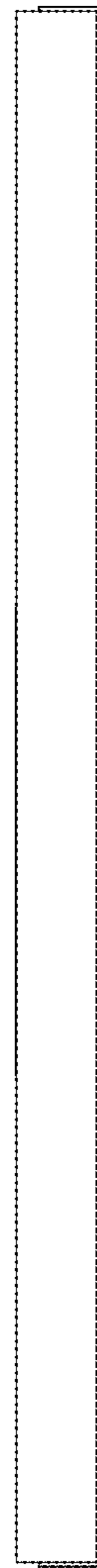


FIG. 6

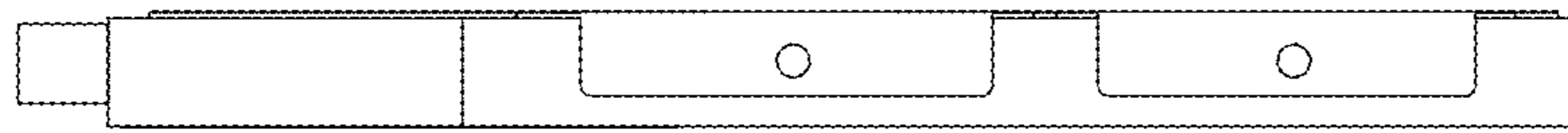


FIG. 7



FIG. 8