



US00D929318S

(12) **United States Design Patent**
Browning et al.

(10) **Patent No.:** **US D929,318 S**
(45) **Date of Patent:** **** Aug. 31, 2021**

- (54) **BATTERY FOR AN ELECTRONIC DEVICE**
- (71) Applicant: **Apple Inc.**, Cupertino, CA (US)
- (72) Inventors: **Lucy E. Browning**, San Francisco, CA (US); **Sawyer Isaac Cohen**, Menlo Park, CA (US); **Richard Hung Minh Dinh**, Saratoga, CA (US); **Devon A. Monaco**, San Jose, CA (US)

- D422,263 S 4/2000 Waldner
 - D435,827 S 1/2001 Rausch
 - D440,201 S 4/2001 Huynh
 - D442,915 S 5/2001 Sasaoka
 - D454,544 S 3/2002 Takach, Jr. et al.
 - D460,411 S 7/2002 Wang
 - D477,275 S 7/2003 Wada
- (Continued)

- (73) Assignee: **Apple Inc.**, Cupertino, CA (US)
- (**) Term: **15 Years**

FOREIGN PATENT DOCUMENTS

- JP D1470109 5/2013
- TW 171302 10/1991

- (21) Appl. No.: **29/714,462**
- (22) Filed: **Nov. 22, 2019**
- (51) **LOC (13) Cl.** **13-02**
- (52) **U.S. Cl.**
USPC **D13/103**
- (58) **Field of Classification Search**
USPC D13/102–106, 110, 118–119, 184
CPC Y02E 60/10; H01M 6/00; H01M 6/14;
H01M 6/05; H01M 8/10; H01M 10/052;
H01M 10/0562; H01M 10/05
See application file for complete search history.

OTHER PUBLICATIONS

“Green Cell Phone Battery A1549 for Apple iPhone 6”, from batteryempire.co.uk, retrieved from the internet on Jun. 18, 2021 <<https://batteryempire.co.uk/batteries-for-iphone/1074-green-cell-phone-battery-a1549-for-apple-iphone-6.html>> (Year: 2021).*

(Continued)

Primary Examiner — Rosemary K Tarcza
(74) *Attorney, Agent, or Firm* — Sterne, Kessler, Goldstein & Fox P.L.L.C.

(56) **References Cited**

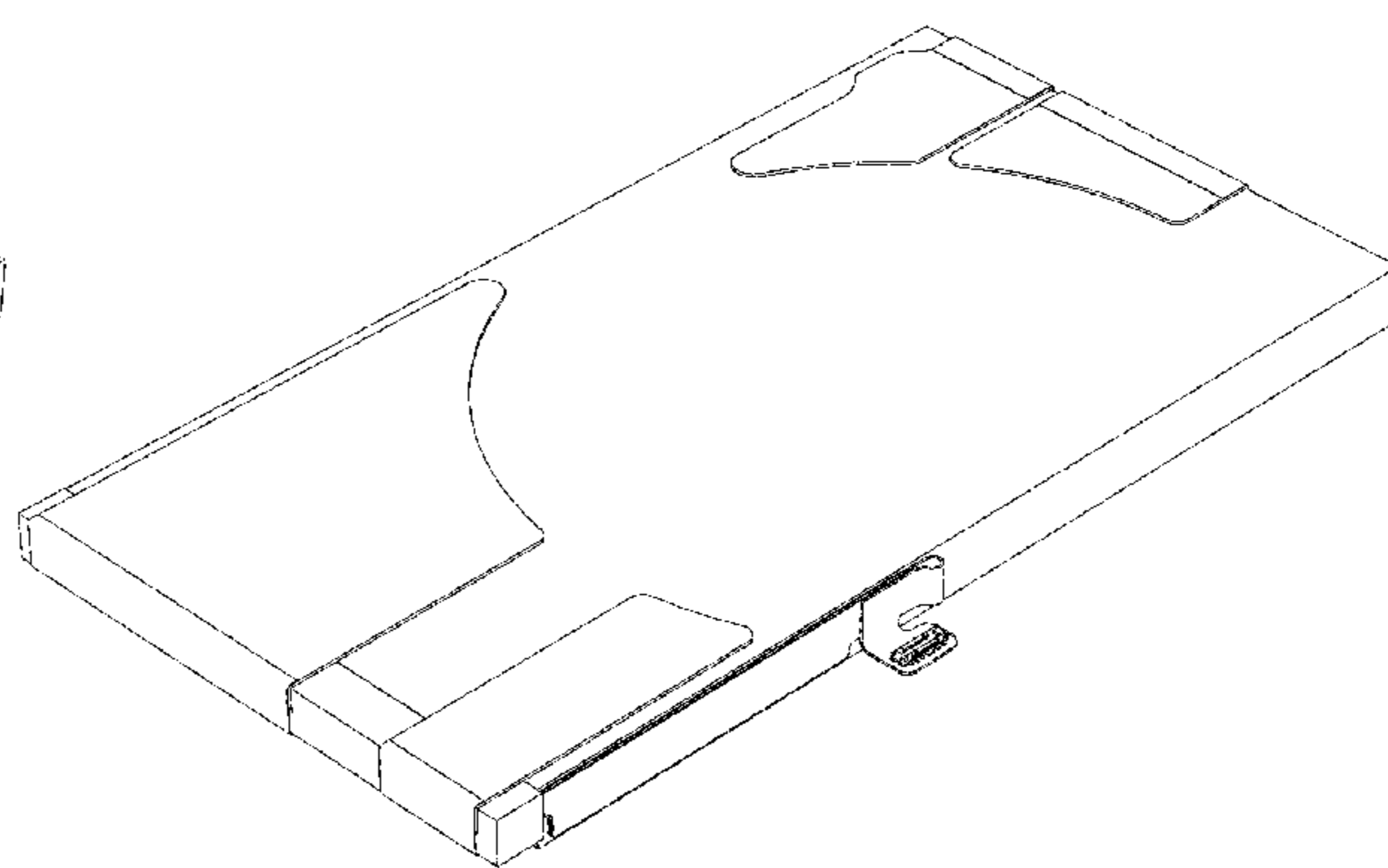
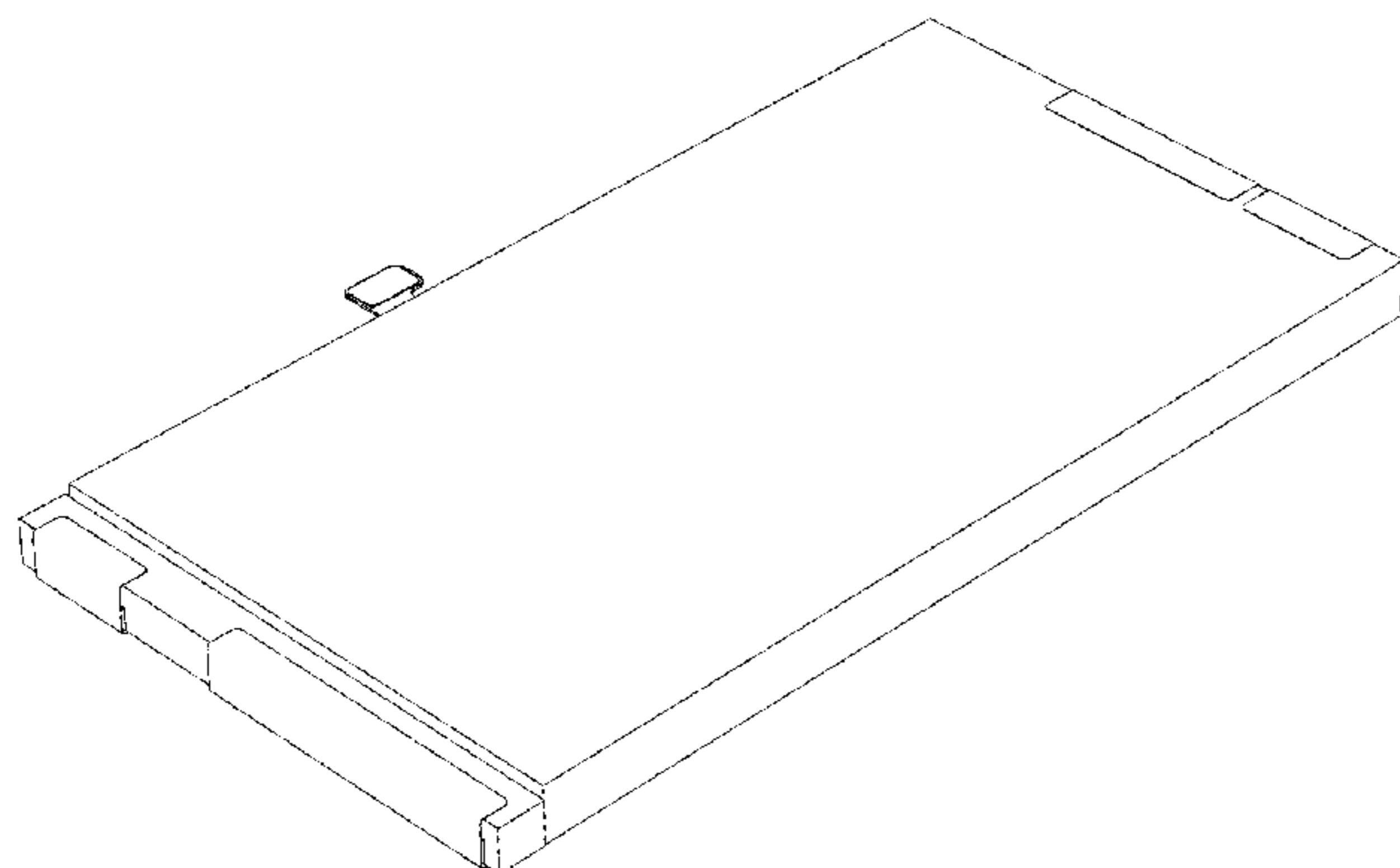
U.S. PATENT DOCUMENTS

- D310,367 S 9/1990 Dockery
- D320,649 S 10/1991 Fleming
- D327,868 S 7/1992 Oka
- 5,180,644 A 1/1993 Bresin et al.
- D337,984 S 8/1993 Lindahl
- D348,247 S 6/1994 Cooper
- 5,326,651 A 7/1994 Mehta et al.
- D356,992 S 4/1995 Dilgard
- 5,436,089 A 7/1995 Fedele
- D374,424 S 10/1996 Nagele
- 5,601,942 A 2/1997 Fedele
- D407,063 S 3/1999 Reis, Jr.
- D409,973 S 5/1999 Iwamoto

DESCRIPTION

FIG. 1 is a bottom front perspective view of a battery for an electronic device showing the claimed design; FIG. 2 is a bottom rear perspective view thereof; FIG. 3 is a front view thereof; FIG. 4 is a rear view thereof; FIG. 5 is a left side view thereof; FIG. 6 is a right side view thereof; FIG. 7 is a top view thereof; and, FIG. 8 is a bottom view thereof.

1 Claim, 5 Drawing Sheets



(56)

References Cited

U.S. PATENT DOCUMENTS

D479,192 S * 9/2003 Fujihara D13/103
 D479,193 S 9/2003 Fujihara
 D485,530 S 1/2004 Ogasawara
 D489,325 S 5/2004 Nakamura
 D494,924 S 8/2004 Maruyama
 D495,992 S 9/2004 Lim
 6,884,540 B2 4/2005 Chikada
 D516,026 S 2/2006 Barrett et al.
 D517,478 S 3/2006 Bayat et al.
 D519,919 S 5/2006 Yokota
 D532,363 S 11/2006 Morisawa
 D535,249 S 1/2007 Ogasawara
 D538,225 S 3/2007 Lyman et al.
 D546,277 S 7/2007 Andre et al.
 D548,176 S 8/2007 Eto et al.
 D548,686 S 8/2007 Eto et al.
 7,595,129 B2 9/2009 Kato
 D614,124 S 4/2010 Mistyurik
 D625,263 S 10/2010 Takuma
 D635,506 S 4/2011 Morisawa
 D637,157 S 5/2011 Andre et al.
 D637,193 S 5/2011 Andre et al.
 D642,515 S 8/2011 Crawford et al.
 D653,611 S 2/2012 Lee et al.
 D655,673 S 3/2012 Masui
 D658,583 S 5/2012 Andre et al.
 8,168,319 B2 5/2012 Spare et al.
 D669,427 S 10/2012 Ignor et al.
 D669,849 S 10/2012 Morisawa
 8,309,245 B2 11/2012 Coish et al.
 D672,713 S 12/2012 Masui
 D677,620 S 3/2013 Corbin et al.
 D678,184 S 3/2013 Banko et al.
 D678,188 S 3/2013 Sasada
 D684,529 S 6/2013 Moon et al.
 D684,530 S 6/2013 Moon et al.
 D684,531 S 6/2013 Moon et al.
 D684,532 S 6/2013 Ignor et al.
 D684,926 S 6/2013 Murchison et al.
 D685,319 S 7/2013 Ignor et al.
 D685,731 S 7/2013 Brown et al.
 D686,147 S 7/2013 Morisawa
 D686,148 S 7/2013 Inaba
 D689,018 S 9/2013 Honda et al.
 D689,019 S * 9/2013 Sato D13/103
 D692,823 S 11/2013 Tanaka
 D693,292 S 11/2013 Salvi et al.
 D696,186 S 12/2013 Kannou et al.
 D697,479 S 1/2014 Andre et al.
 D700,135 S * 2/2014 Sato D13/103
 D700,137 S 2/2014 Ashida et al.
 8,703,322 B2 4/2014 Lee et al.
 D704,625 S 5/2014 Tsutsumi et al.
 D708,128 S 7/2014 Andre et al.
 D708,269 S 7/2014 Moore et al.
 D709,026 S 7/2014 Lee et al.
 D709,440 S 7/2014 Kwon et al.
 D709,441 S 7/2014 Kwon et al.
 D709,442 S 7/2014 Kwon et al.
 D709,443 S 7/2014 Kwon et al.
 D709,822 S 7/2014 Kwon et al.
 D709,823 S 7/2014 Corley et al.
 D711,310 S 8/2014 Sanders
 D711,311 S 8/2014 Corbin et al.
 D712,345 S 9/2014 Kwon et al.
 D712,346 S 9/2014 Kwon et al.
 D712,835 S 9/2014 Yasuda et al.
 D713,785 S 9/2014 Tehrani
 D714,718 S 10/2014 Loeckenhoff et al.
 D716,721 S 11/2014 Kwon et al.
 D716,722 S 11/2014 Kwon et al.
 D716,723 S 11/2014 Kwon et al.

D717,800 S 11/2014 Akana et al.
 D718,753 S 12/2014 Akana et al.
 D719,085 S 12/2014 Aoyagi et al.
 D719,087 S 12/2014 Bataillou et al.
 D724,014 S 3/2015 Kwon et al.
 D724,015 S 3/2015 Kwon et al.
 D724,016 S 3/2015 Kwon et al.
 D724,017 S 3/2015 Kwon et al.
 D724,019 S 3/2015 Kwon et al.
 D724,020 S 3/2015 Kwon et al.
 D724,021 S 3/2015 Kwon et al.
 D724,022 S 3/2015 Kwon et al.
 D724,528 S 3/2015 Kwon et al.
 D724,529 S 3/2015 Kwon et al.
 D724,530 S 3/2015 Kwon et al.
 D724,532 S 3/2015 Kwon et al.
 D724,533 S 3/2015 Kwon et al.
 D729,805 S 5/2015 Bataillou et al.
 D738,821 S 9/2015 Banko et al.
 D743,399 S 11/2015 Frank
 D758,961 S 6/2016 Aoyagi et al.
 D763,189 S * 8/2016 Spiegel D13/110
 D765,625 S 9/2016 Akana et al.
 D768,566 S * 10/2016 Andre D13/103
 9,570,775 B2 2/2017 Huang et al.
 9,711,770 B2 7/2017 Anastas et al.
 9,735,595 B2 8/2017 Colahan et al.
 D807,824 S 1/2018 Krivonak et al.
 D808,897 S 1/2018 Mascolo et al.
 9,887,403 B2 2/2018 Huang et al.
 D830,964 S 10/2018 Aoyagi et al.
 D843,934 S * 3/2019 Tan D13/103
 D906,234 S * 12/2020 Bigdeli D13/103
 D910,545 S * 2/2021 Dinh D13/103
 2002/0094475 A1 7/2002 Aoyama
 2009/0274953 A1 11/2009 Myers et al.
 2012/0208046 A1 8/2012 Koh
 2014/0065474 A1 3/2014 Werner et al.
 2014/0199575 A1 * 7/2014 Ryu H01M 50/209
 429/99
 2014/0265915 A1 9/2014 Huang et al.
 2014/0272541 A1 9/2014 Huang et al.
 2014/0273890 A1 9/2014 Huang et al.
 2015/0364745 A1 * 12/2015 Wang H01M 50/209
 429/7
 2016/0049696 A1 * 2/2016 Choi H01M 10/4257
 429/61
 2019/0081291 A1 * 3/2019 Chien H01M 50/209

OTHER PUBLICATIONS

iPhone 5C Teardown, ifixit.com, dated Oct. 26, 2015, Retrieved from the Internet: (URL: <https://www.ifixit.com/Teardown/iPhone+5c+Teardown/17382>).
 Kazmucha, A., "How to Replace the Battery in an iPhone 4S," iMore, dated Aug. 28, 2012, Retrieved from the Internet: (URL: <http://www.imore.com/how-diy-replace-battery-iphone-4s>).
 Klug, B., "Motorola Droid Bionic Review," AnandTech, dated Oct. 11, 2011, Retrieved from the Internet: (URL: <https://www.anandtech.com/show/4910/motorola-droid-bionic-review-dual-core-with-4g-lte/2>).
 Leather, A., "How to Replace the iPhone 5's Battery," Forbes, dated Oct. 31, 2013, Retrieved from the Internet: (URL: <http://www.forbes.com/sites/antonyleather/2013/10/31/how-to-replace-the-iphone-5s-battery/>).
 New Original Battery for Apple iPhone 6 4.7 inch Cellphone Baterai 1810mAh 3.8V, retrieved Oct. 9, 2015, Retrieved from the Internet: (URL: [Hyratech.com https://www.hyratech.com/product.php?productid=8743&cat=28644&page=1](https://www.hyratech.com/product.php?productid=8743&cat=28644&page=1)).
 Original iPhone 6 Battery Replacement, iPhonefix UK, retrieved Oct. 9, 2015, Retrieved from the Internet: (URL: <http://www.iphonefixuk.co.uk/products/original-iphone-6-battery-replacement>).

* cited by examiner

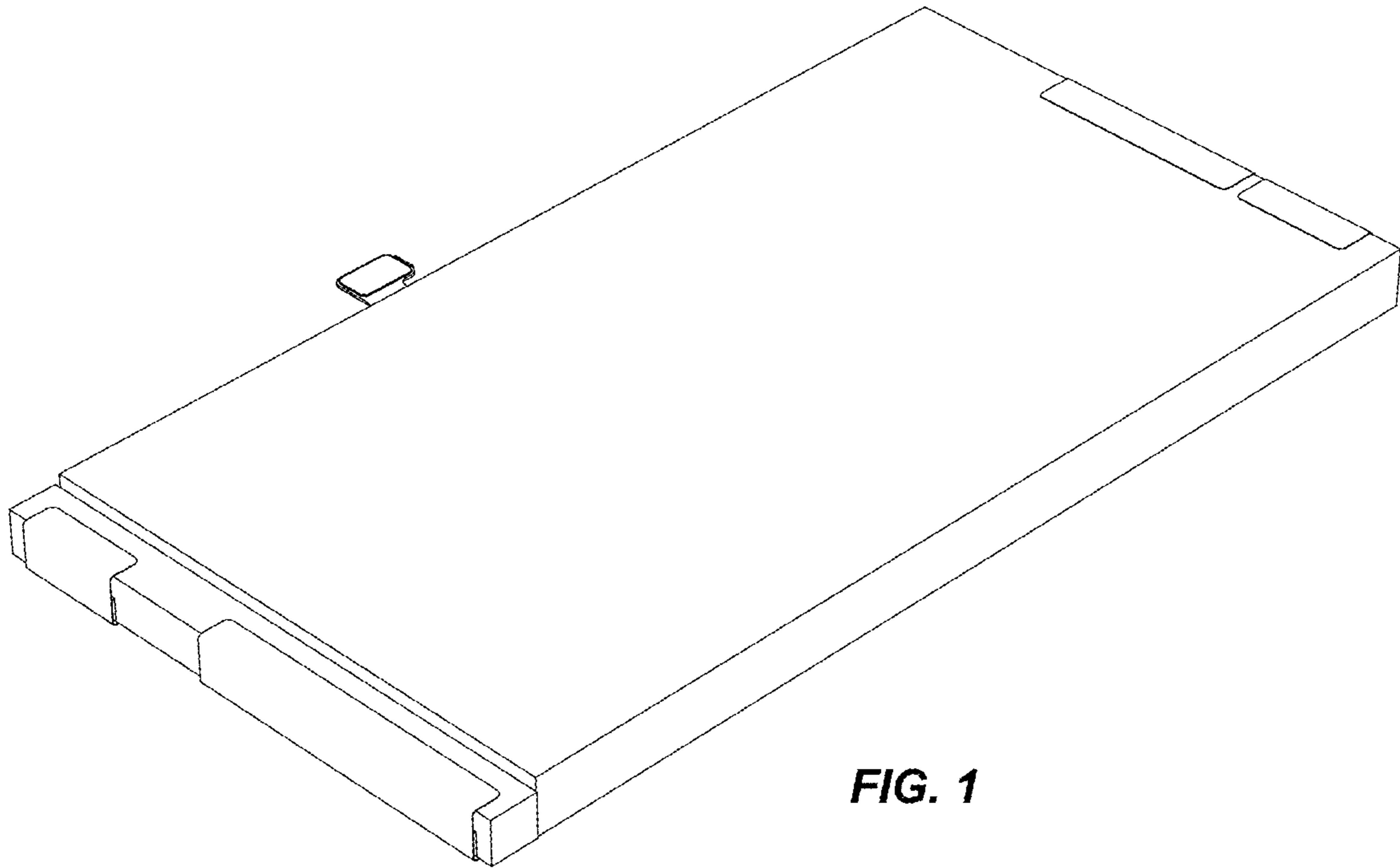


FIG. 1

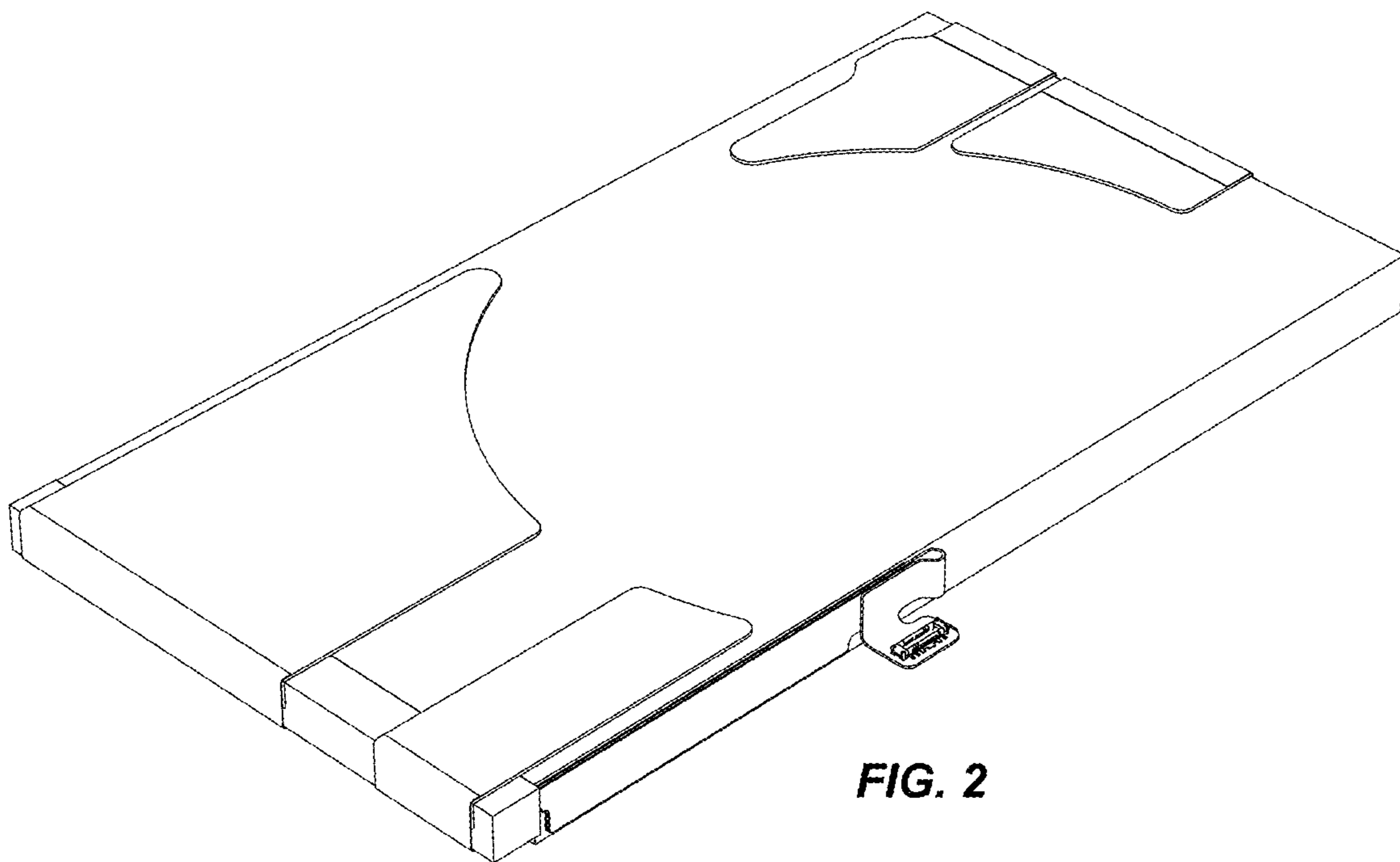


FIG. 2

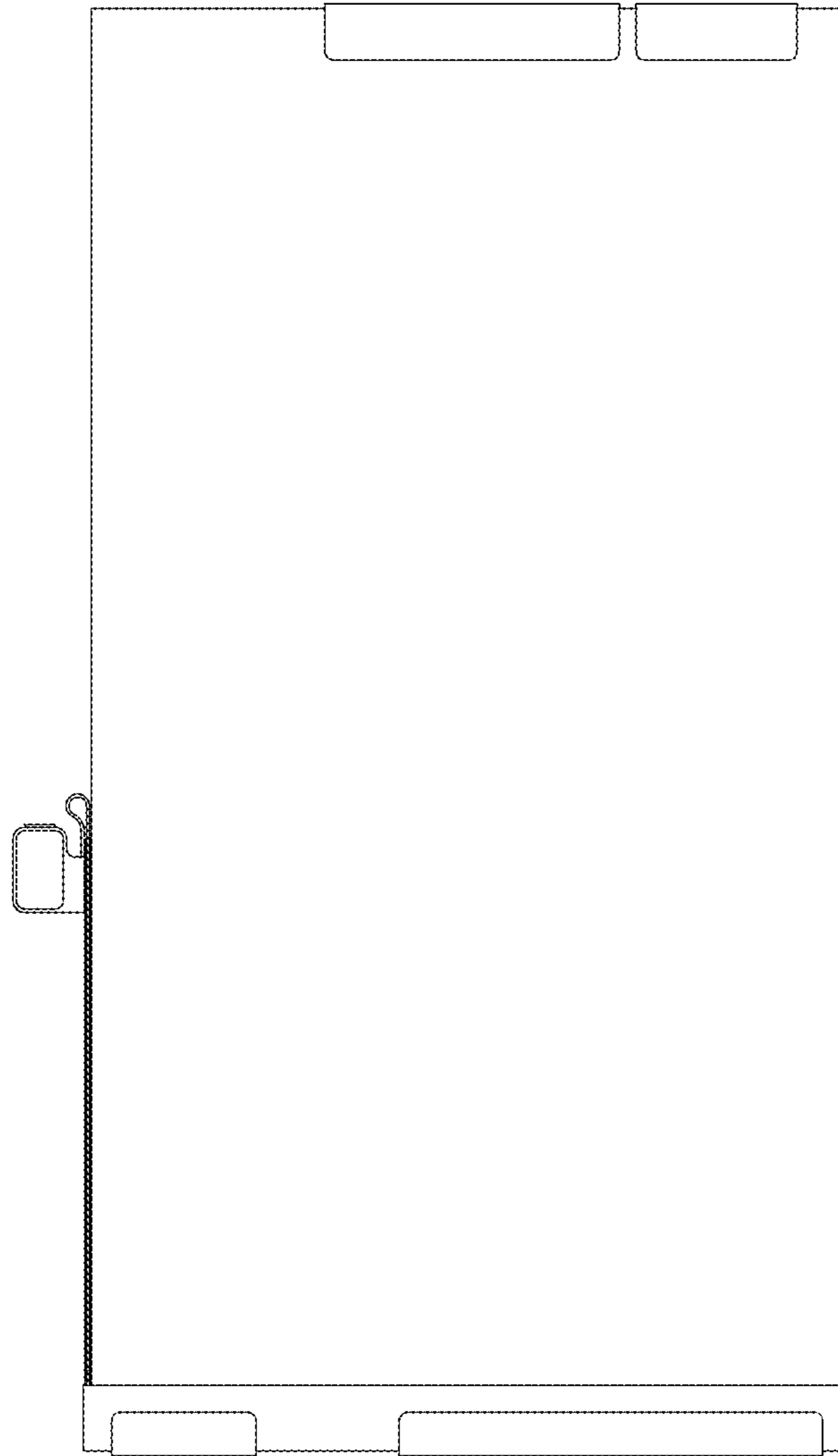


FIG. 3

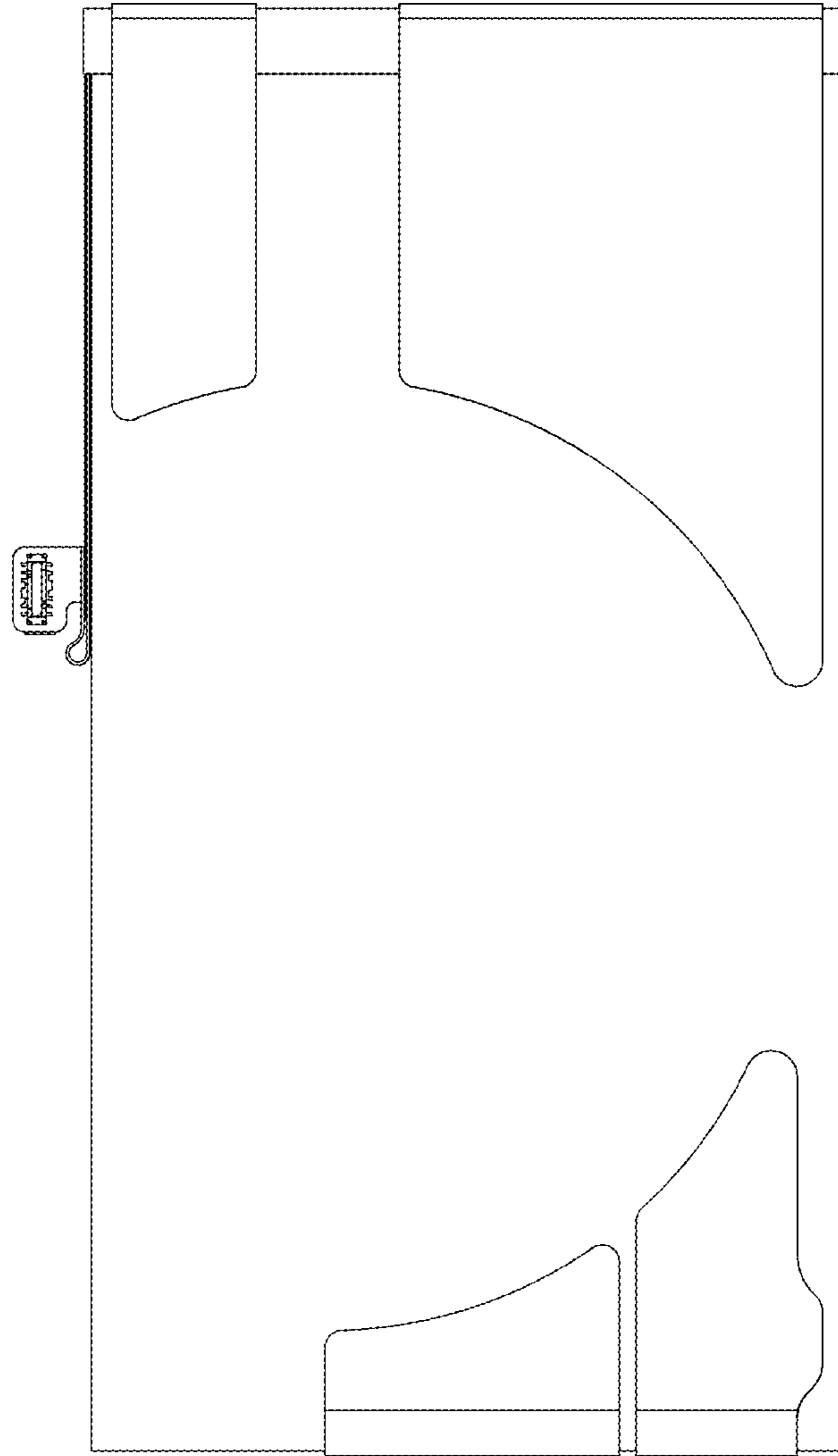


FIG. 4



FIG. 5



FIG. 6



FIG. 7

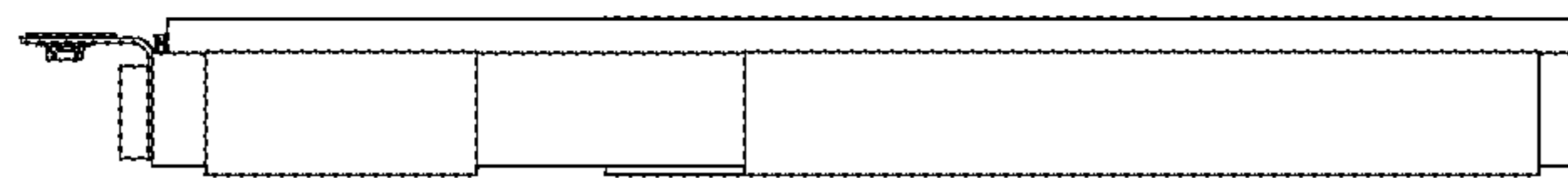


FIG. 8