



US00D929316S

(12) **United States Design Patent** (10) **Patent No.:** **US D929,316 S**
Azuma (45) **Date of Patent:** **** Aug. 31, 2021**

(54) **BATTERY FOR ELECTRIC POWER UNIT**

(71) Applicant: **HONDA MOTOR CO., LTD.**, Tokyo (JP)

(72) Inventor: **Koichi Azuma**, Wako (JP)

(73) Assignee: **HONDA MOTOR CO., LTD.**, Tokyo (JP)

(**) Term: **15 Years**

(21) Appl. No.: **29/701,633**

(22) Filed: **Aug. 13, 2019**

(30) **Foreign Application Priority Data**

Feb. 15, 2019 (JP) 2019-003050

(51) **LOC (13) Cl.** **13-02**

(52) **U.S. Cl.**
USPC **D13/103; D13/119**

(58) **Field of Classification Search**
USPC D13/101, 102, 103, 107, 108, 109, 110,
D13/118, 119, 123, 184, 199; D15/5,
D15/199

CPC .. H02J 7/00; H02J 7/027; H02J 7/0042; H02J
7/0045; H02J 7/0047; H02J 7/0063;
H02M 7/00; H02M 7/003; H01M 2/202;
H01M 2/204; H01M 2/1022; H01M
2/342; H01M 10/48; H01M 10/0436;
H01M 10/4257; H05K 5/023

See application file for complete search history.

(56) **References Cited**

U.S. PATENT DOCUMENTS

D400,161 S * 10/1998 Nagele D13/103
D504,110 S * 4/2005 Berentzen D13/103

D719,095 S * 12/2014 Oota D13/119
9,455,426 B2 * 9/2016 Hara H01M 50/20
D776,611 S * 1/2017 Thompson D13/103
D826,149 S * 8/2018 Cooper D13/103
2012/0025766 A1 * 2/2012 Reade H05K 5/023
320/110
2017/0104243 A1 * 4/2017 Velderman H02J 7/0045

* cited by examiner

Primary Examiner — Derrick E Holland

(74) *Attorney, Agent, or Firm* — Westerman, Hattori,
Daniels & Adrian, LLP

(57) **CLAIM**

The ornamental design for a battery for electric power unit,
as shown and described.

DESCRIPTION

FIG. 1 is a front and right perspective view of a battery for electric power unit showing my new design;
FIG. 2 is a front and left perspective view thereof;
FIG. 3 is a rear and right perspective view thereof;
FIG. 4 is a rear and left perspective view thereof;
FIG. 5 is a front view thereof;
FIG. 6 is a rear view thereof;
FIG. 7 is a right side view thereof;
FIG. 8 is a left side view thereof;
FIG. 9 is a top view thereof;
FIG. 10 is a bottom plan view thereof; and,
FIG. 11 is a referential view showing use thereof.
The broken lines shown in the drawings illustrate portions of the battery for electric power unit that are environmental structures and form no part of the claimed design.

1 Claim, 11 Drawing Sheets

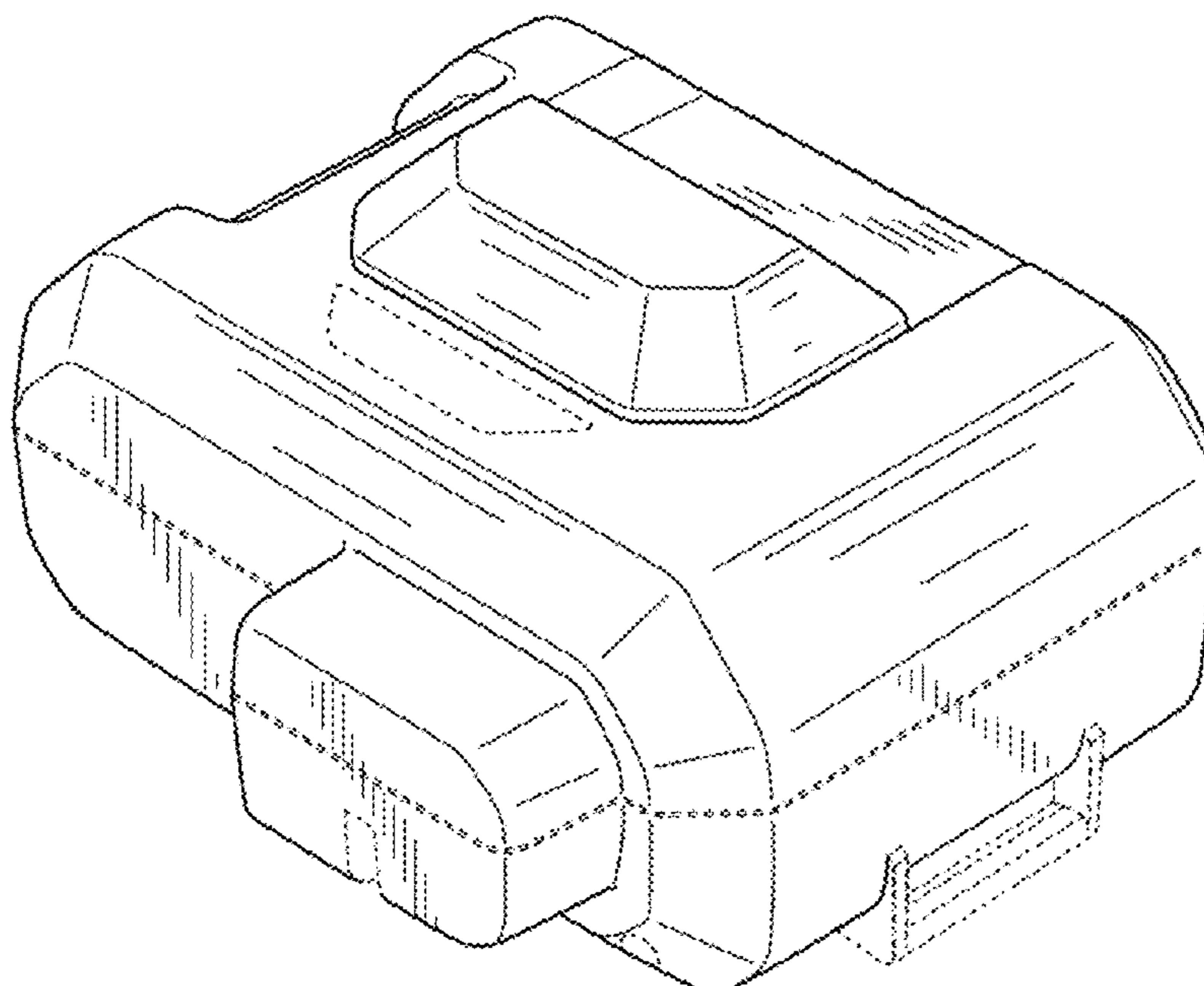


FIG. 1

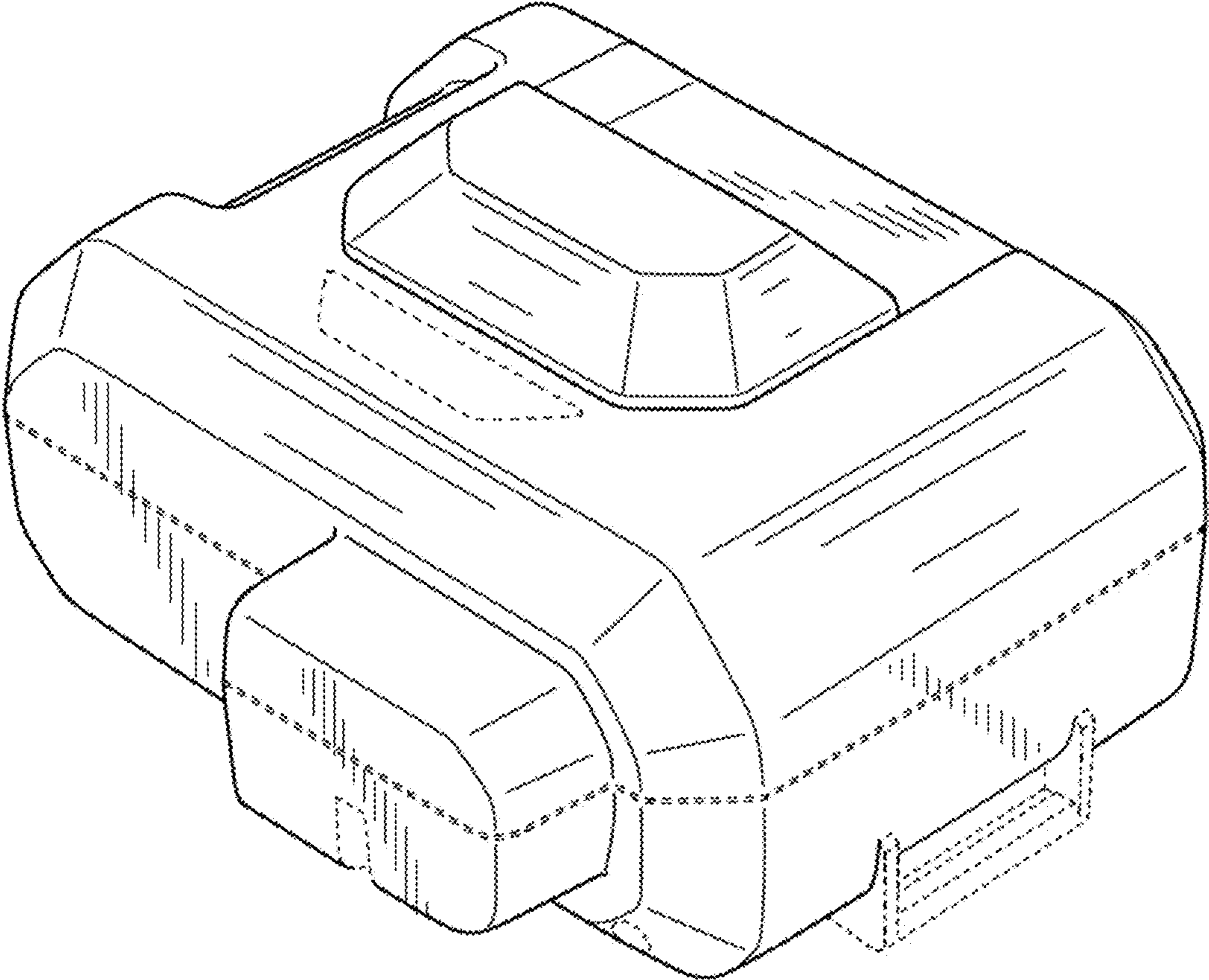


FIG. 2

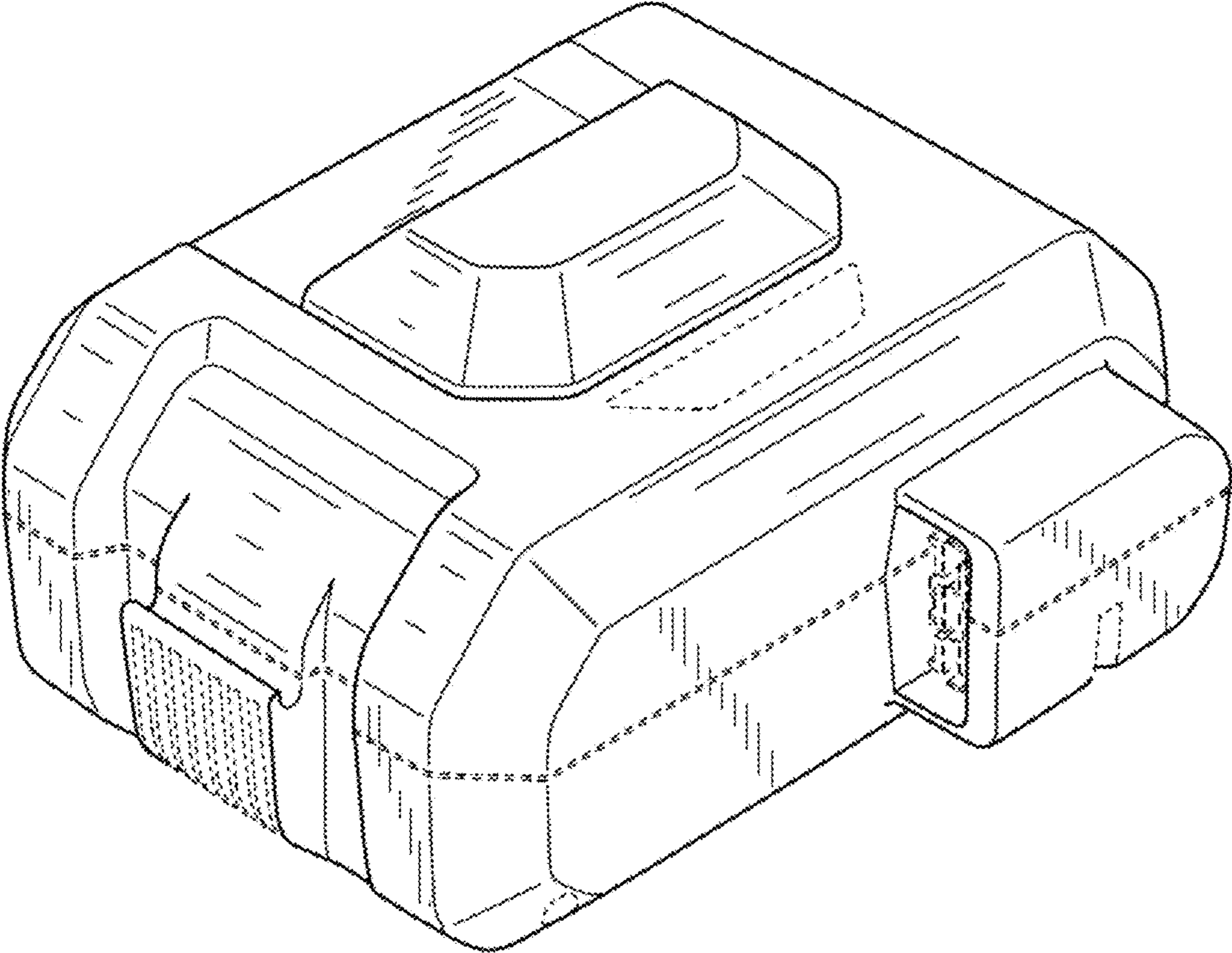


FIG. 3

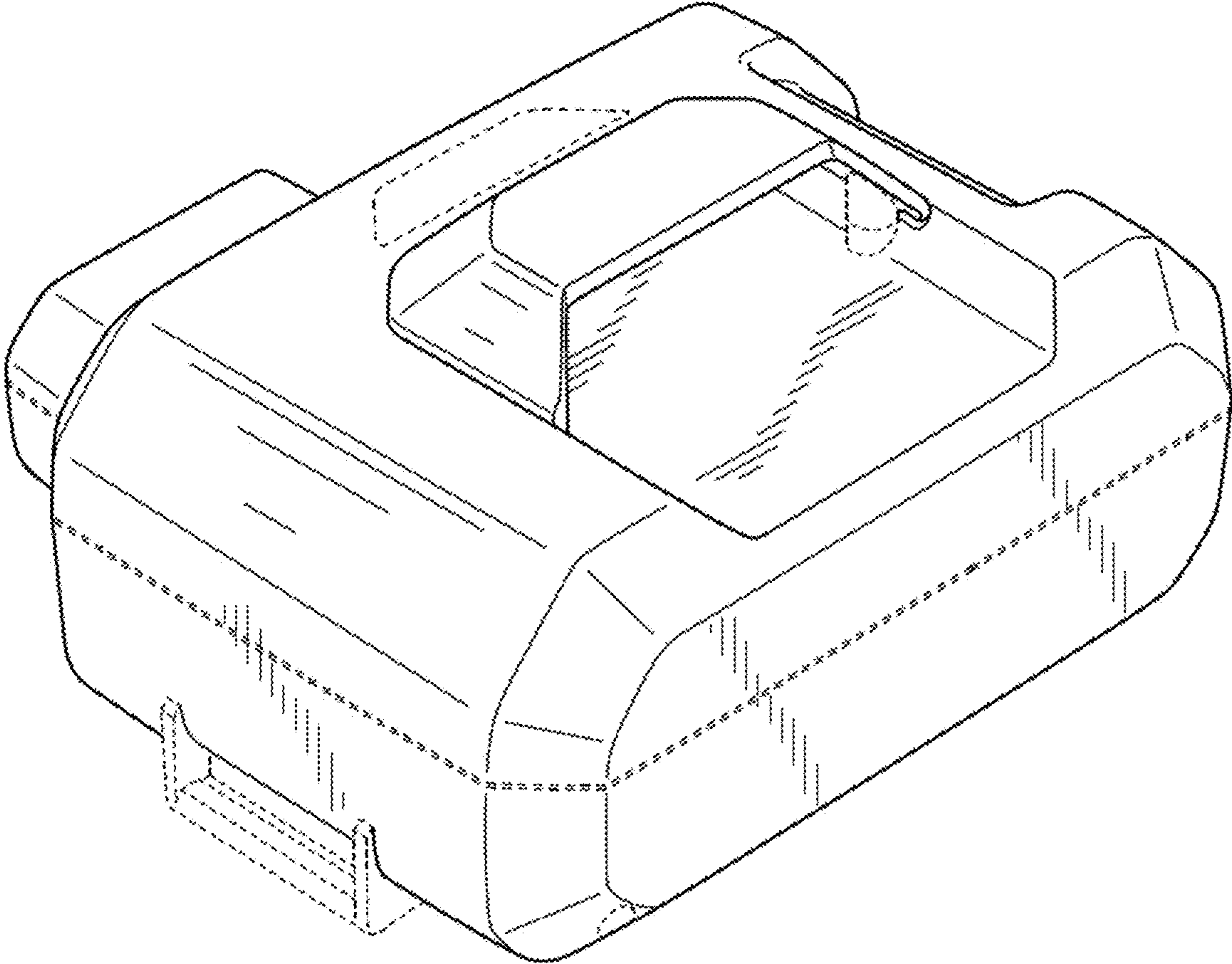


FIG. 4

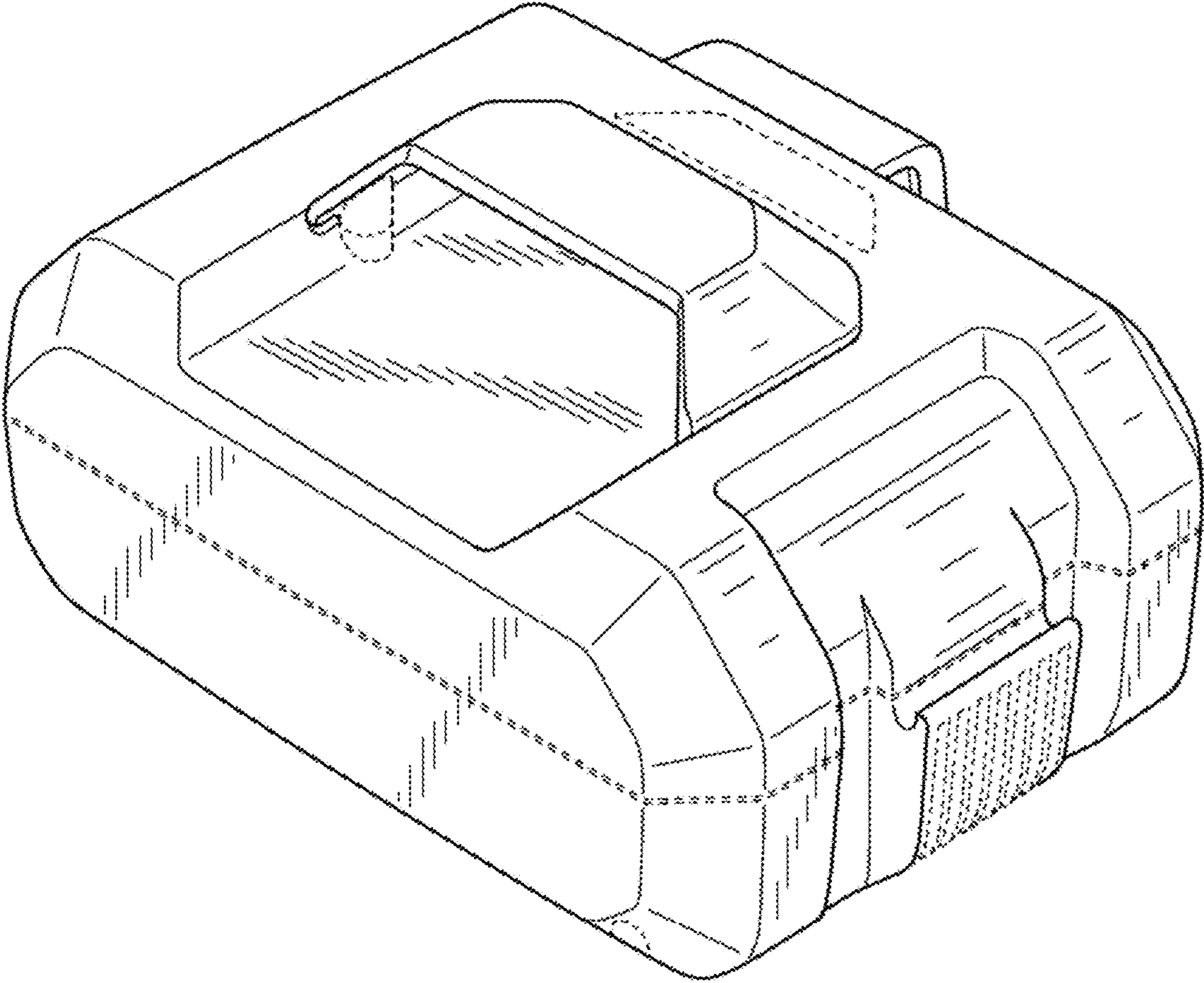


FIG. 5

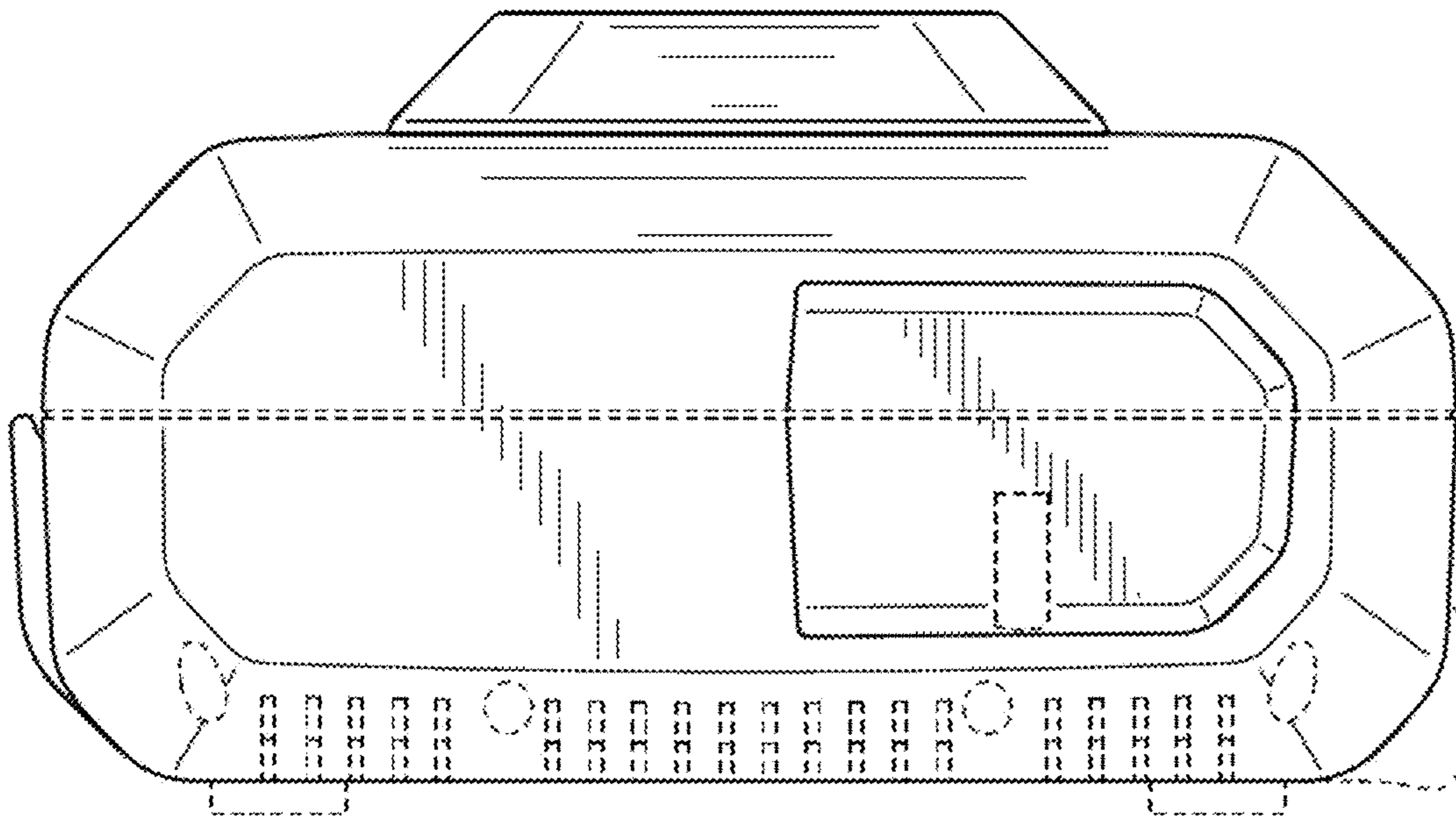


FIG. 6

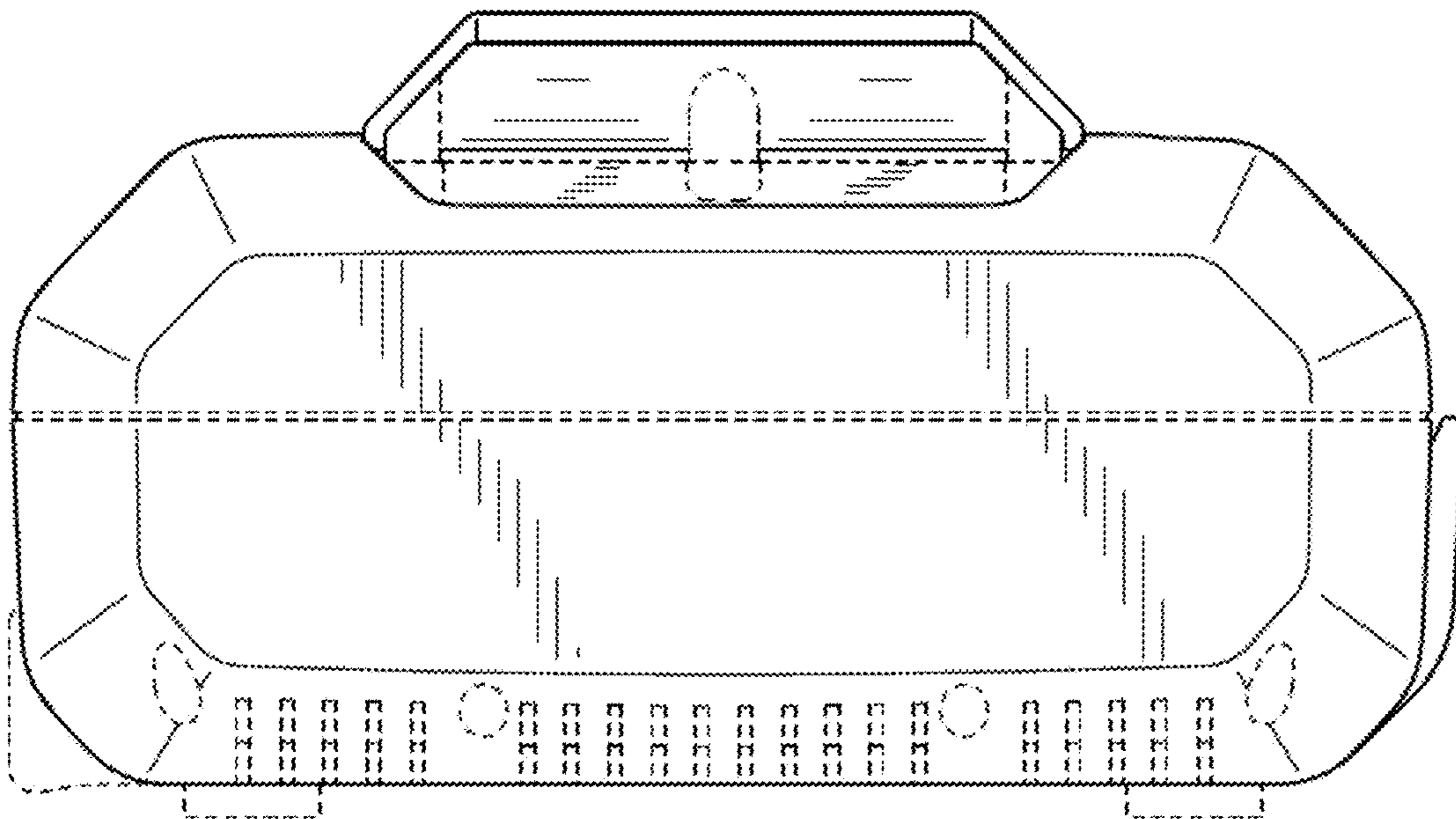


FIG. 7

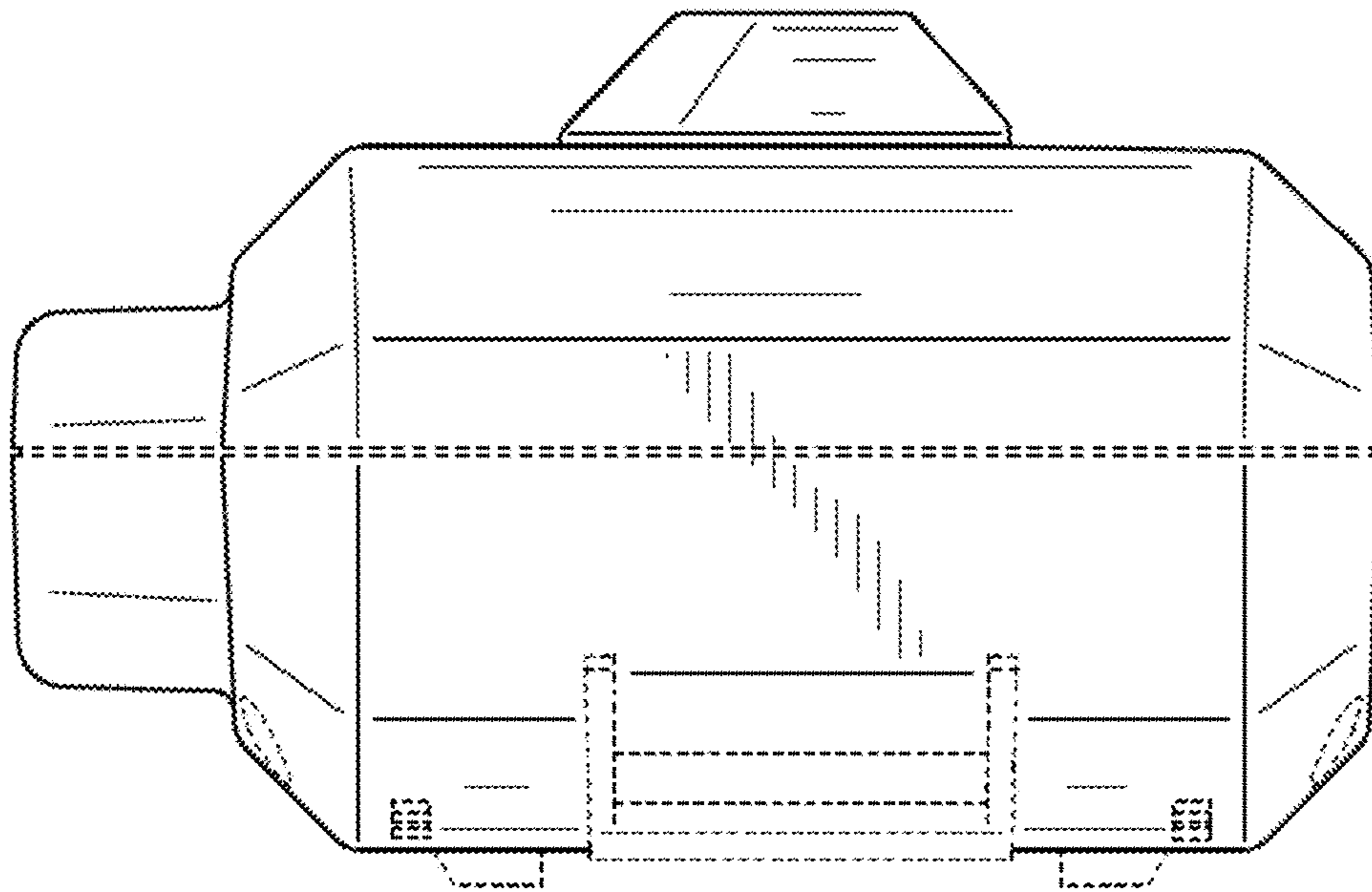


FIG. 8

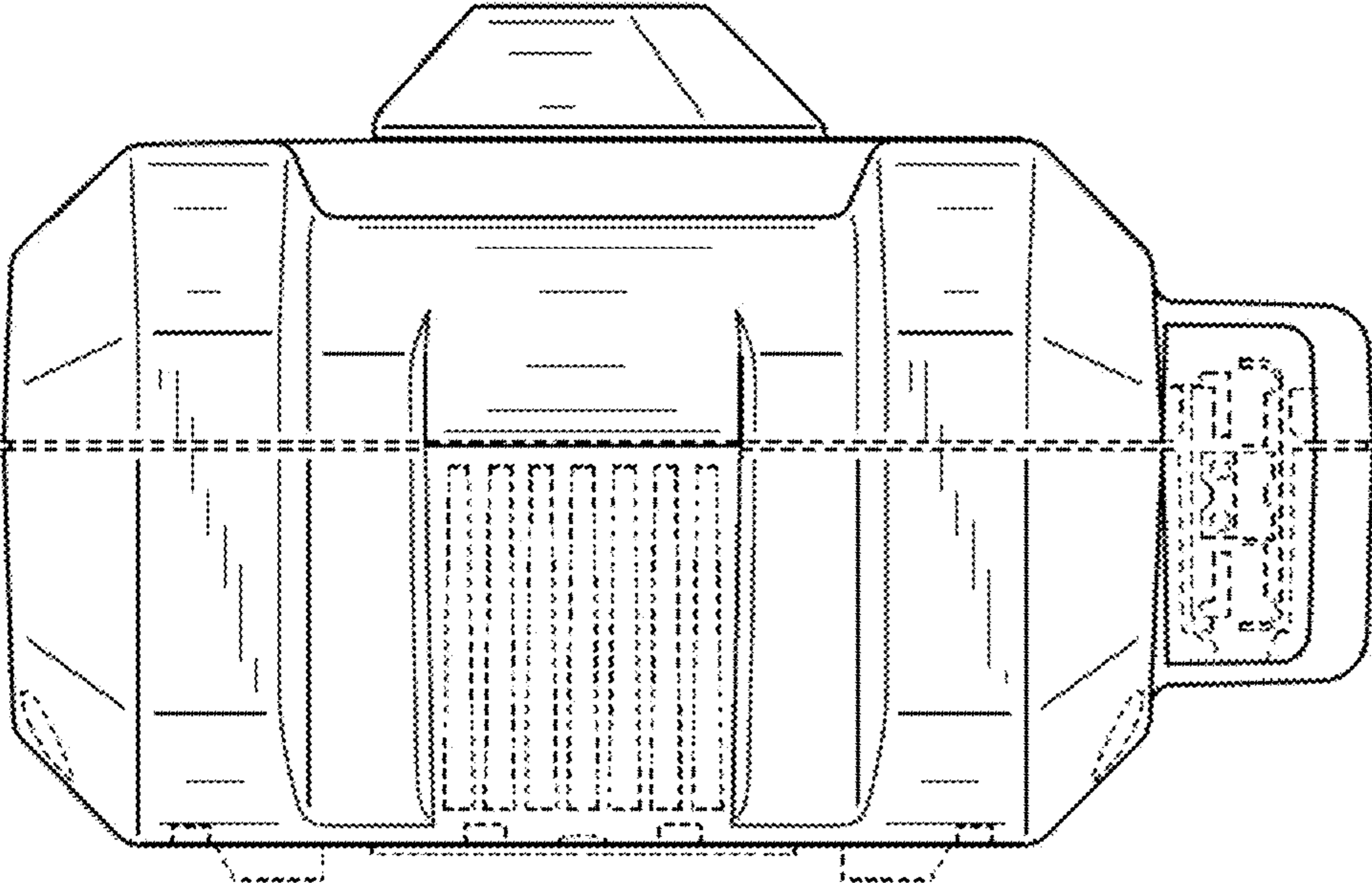


FIG. 9

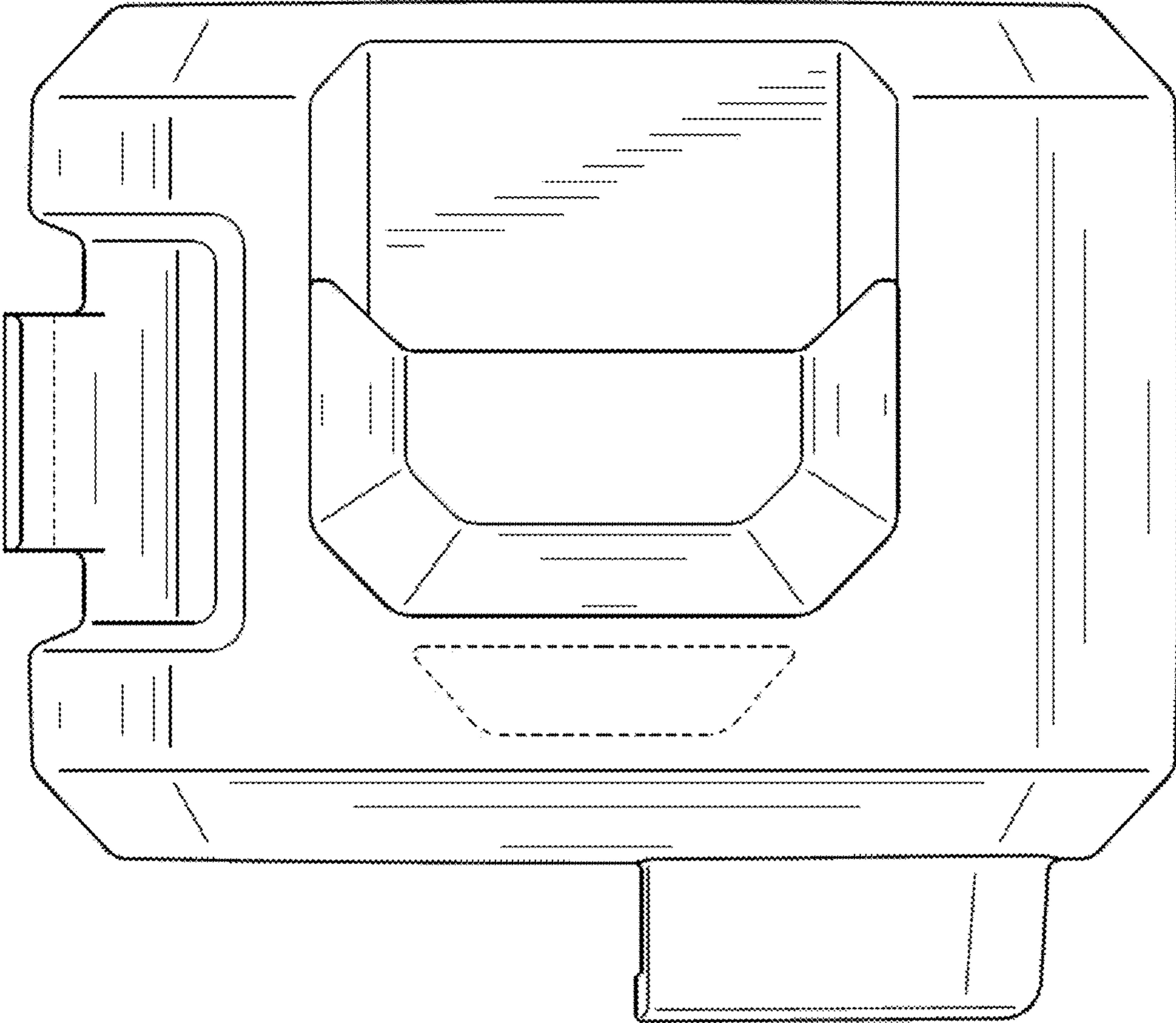


FIG. 10

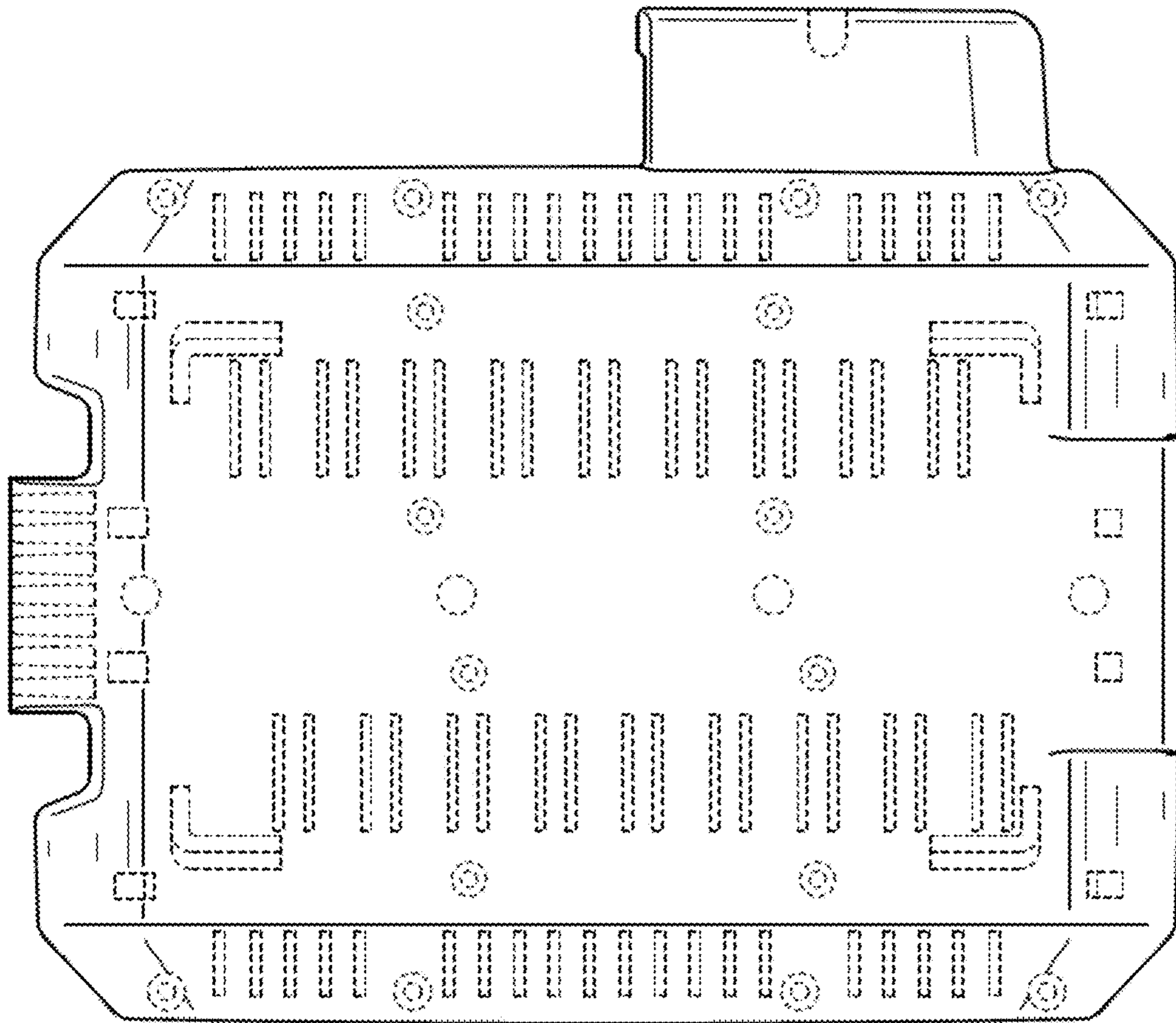


FIG. 11

