



US00D929315S

(12) **United States Design Patent**  
**Luedke et al.**

(10) **Patent No.:** **US D929,315 S**

(45) **Date of Patent:** **\*\* Aug. 31, 2021**

(54) **INTERCHANGEABLE BATTERY**

(71) Applicant: **The Coleman Company, Inc.**, Wichita, KS (US)

(72) Inventors: **Adam A. Luedke**, Kalamazoo, MI (US); **Evan Fulford**, Portage, MI (US)

(73) Assignee: **The Coleman Company, Inc.**, Wichita, KS (US)

(\*\*) Term: **15 Years**

(21) Appl. No.: **29/683,726**

(22) Filed: **Mar. 15, 2019**

(51) **LOC (13) Cl.** ..... **13-02**

(52) **U.S. Cl.**  
USPC ..... **D13/103**

(58) **Field of Classification Search**

USPC ..... D13/107, 108, 110, 133, 137.1–137.4, D13/138.1–138.2, 139.1–139.8, 146, 147, D13/151–156, 173, 177, 199, 103; D14/432, 433, 435.1, 250; D23/231, 232; D15/7–9; D8/350, 353–356  
CPC ..... H01R 11/00; H01R 9/00; H01R 13/00; H01R 13/04; H01R 13/10; H01R 13/6666; H01R 13/6675; H01R 25/00; H01R 25/006; H01H 2207/00; H01H 2207/022; Y02E 60/12; Y02E 60/122; Y02E 60/124; Y02E 60/50; H01M 2/02; H01M 2/022; H01M 2/0202; H01M 2/0207; H01M 2/0212; H01M 2/1061; H01M 2/1022; H01M 2/1055; H01M 2/1066; H01M 2/105; H01M 2/204; H02J 7/00; H02J 7/0003; H02J 7/0011; H02J 7/0013; H02J 7/0054; H02J 7/0055; H02J 7/0057; Y02T 10/7005; Y02T 10/705; Y02T 10/7088; B60L 11/1809; B60L 11/1861

See application file for complete search history.

(56) **References Cited**

U.S. PATENT DOCUMENTS

D413,565 S *	9/1999	Nakayama .....	D13/103
D427,142 S *	6/2000	Luh .....	D13/103
D428,385 S *	7/2000	Luh .....	D13/103
D459,297 S *	6/2002	Searle .....	D13/103
D481,993 S *	11/2003	Searle .....	D13/103
D530,277 S *	10/2006	Lin .....	D13/110
D532,372 S *	11/2006	Keating .....	D13/108
D539,216 S *	3/2007	Hamaguchi .....	D13/103
D539,217 S *	3/2007	Hamaguchi .....	D13/103
D543,143 S *	5/2007	Hamaguchi .....	D13/103
D557,658 S *	12/2007	Ledbetter .....	D13/108
D577,333 S *	9/2008	Daniel .....	D13/103
D593,488 S *	6/2009	Harrison .....	D13/103
D598,374 S *	8/2009	Sasada .....	D13/108
D598,844 S *	8/2009	Harrison .....	D13/103
D623,589 S *	9/2010	Tarter .....	D13/103
D645,816 S *	9/2011	Sasada .....	D13/108
D664,092 S *	7/2012	Gea Suarez .....	D13/103

(Continued)

*Primary Examiner* — Christy Nemeth

(74) *Attorney, Agent, or Firm* — Husch Blackwell LLP

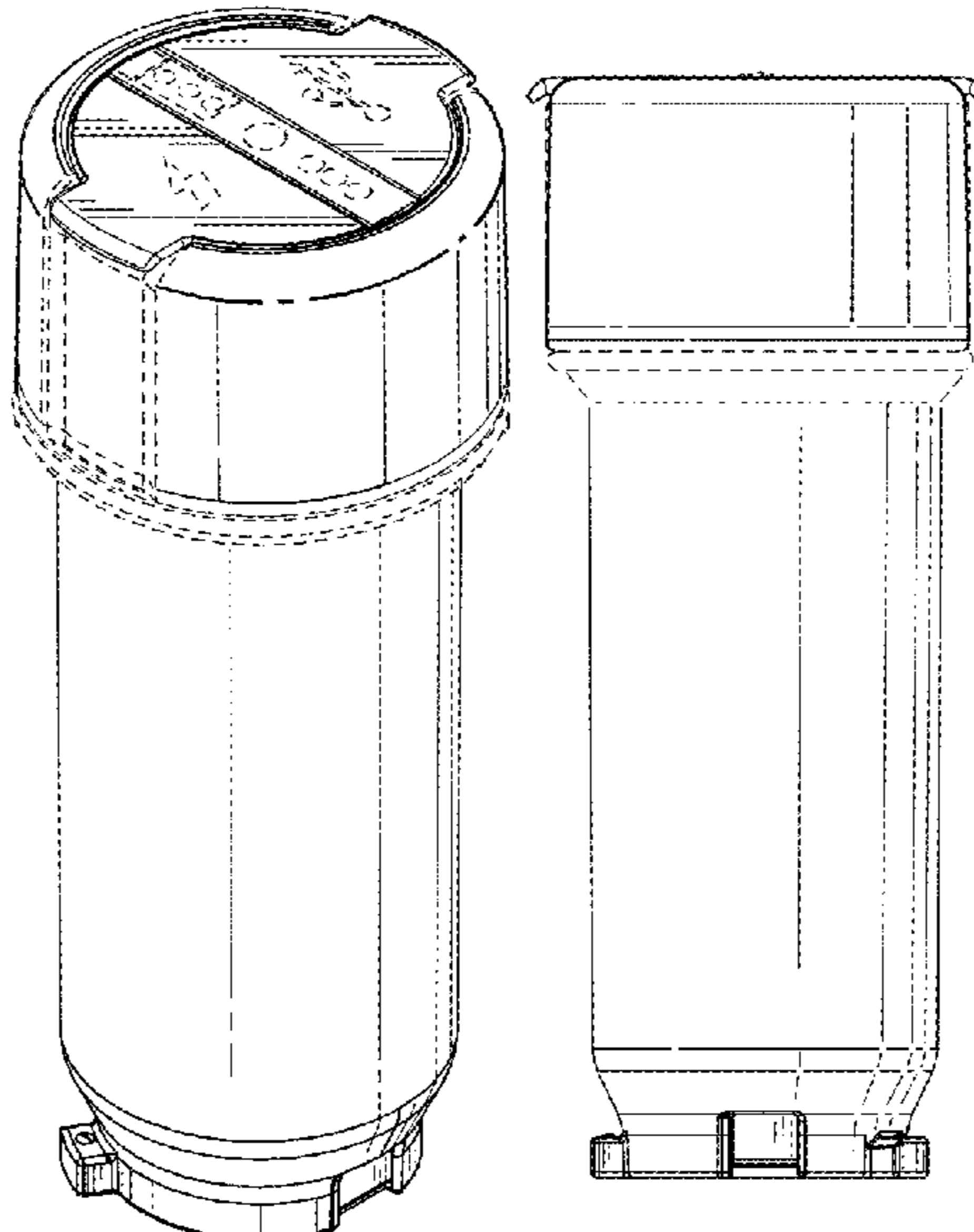
(57) **CLAIM**

We claim the ornamental design for an interchangeable battery, as shown and described.

**DESCRIPTION**

FIG. 1 is a perspective view of an interchangeable battery showing our new design; FIG. 2 is a left elevation view thereof; FIG. 3 is a right elevation view thereof; FIG. 4 is a front elevation view thereof; FIG. 5 is a rear elevation view thereof; FIG. 6 is a top plan view thereof; and, FIG. 7 is a bottom plan view thereof. The broken lines and the areas within are for the purpose of illustrating portions of the interchangeable battery that form no part of the claimed design.

**1 Claim, 3 Drawing Sheets**



(56)

References Cited

U.S. PATENT DOCUMENTS

D664,498 S *	7/2012	Liu	.....	D13/103				
D664,920 S *	8/2012	Huang	.....	D13/107				
D670,244 S *	11/2012	Workman	.....	D13/110				
D686,155 S *	7/2013	Nguyen	.....	D13/103				
D709,891 S *	7/2014	Alesi	.....	D14/433				
D717,305 S *	11/2014	Alesi	.....	D14/433				
D749,044 S *	2/2016	Huang	.....	D13/108				
D756,908 S *	5/2016	Chung	.....	D13/103				
D762,564 S *	8/2016	Patton	.....	D13/103				
D780,115 S *	2/2017	Huang	.....	D13/107				
D815,037 S *	4/2018	Chen	.....	D13/108				
D822,591 S *	7/2018	Wu	.....	D13/103				
D826,846 S *	8/2018	Greiner	.....	D13/103				
D844,557 S *	4/2019	Wang	.....	D13/103				
D846,492 S *	4/2019	Verleur	.....	D13/103				
D860,951 S *	9/2019	Hu	.....	D13/144				
					D866,461 S *	11/2019	Arimoto	..... D13/108
					D870,659 S *	12/2019	Liao	..... D13/108
					2009/0148756 A1 *	6/2009	Specht	..... H01M 4/12 429/94
					2010/0190052 A1 *	7/2010	Rajani	..... H01M 2/1055 429/178
					2013/0022847 A1 *	1/2013	Janousek	..... H01M 6/505 429/90
					2015/0221898 A1 *	8/2015	Chi	..... H01M 4/48 607/5
					2016/0260955 A1 *	9/2016	Jo	..... H02J 7/0042
					2018/0309096 A1 *	10/2018	Kim	..... H01M 2/0413
					2018/0315968 A1 *	11/2018	Koyama	..... H01M 2/1022
					2018/0347061 A1 *	12/2018	Sadaki	..... C25D 7/00
					2019/0207273 A1 *	7/2019	Chen	..... H01M 10/4257
					2019/0252732 A1 *	8/2019	Park	..... H01M 10/286
					2019/0348703 A1 *	11/2019	Lim	..... H01M 10/0431

\* cited by examiner

FIG. 1

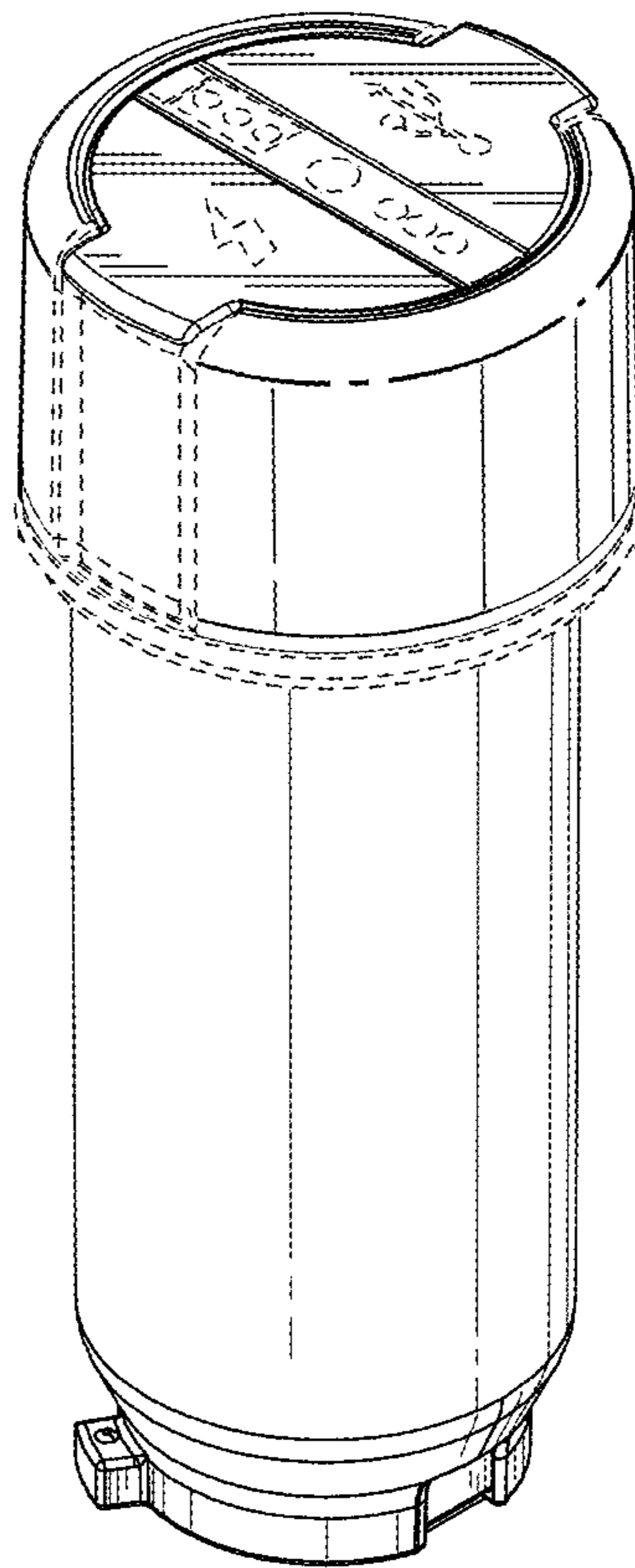


FIG. 2

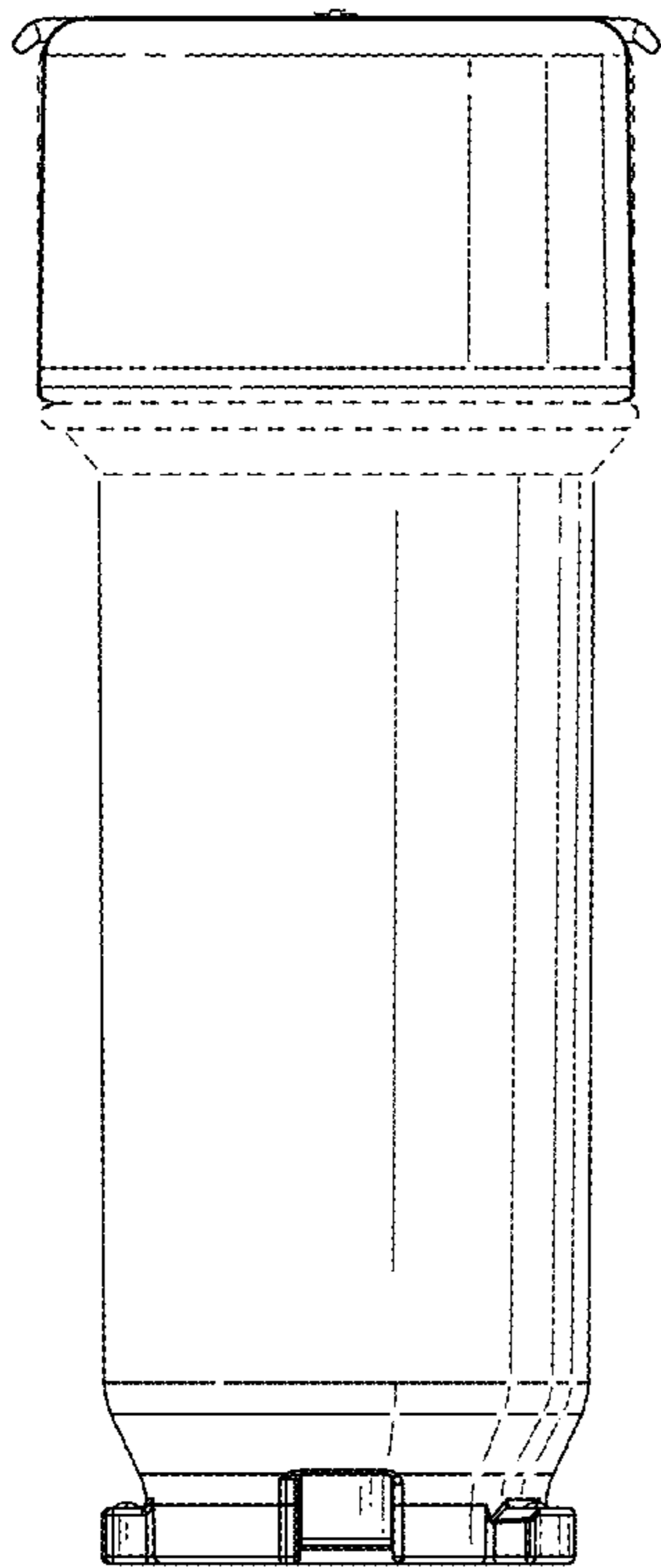


FIG. 3

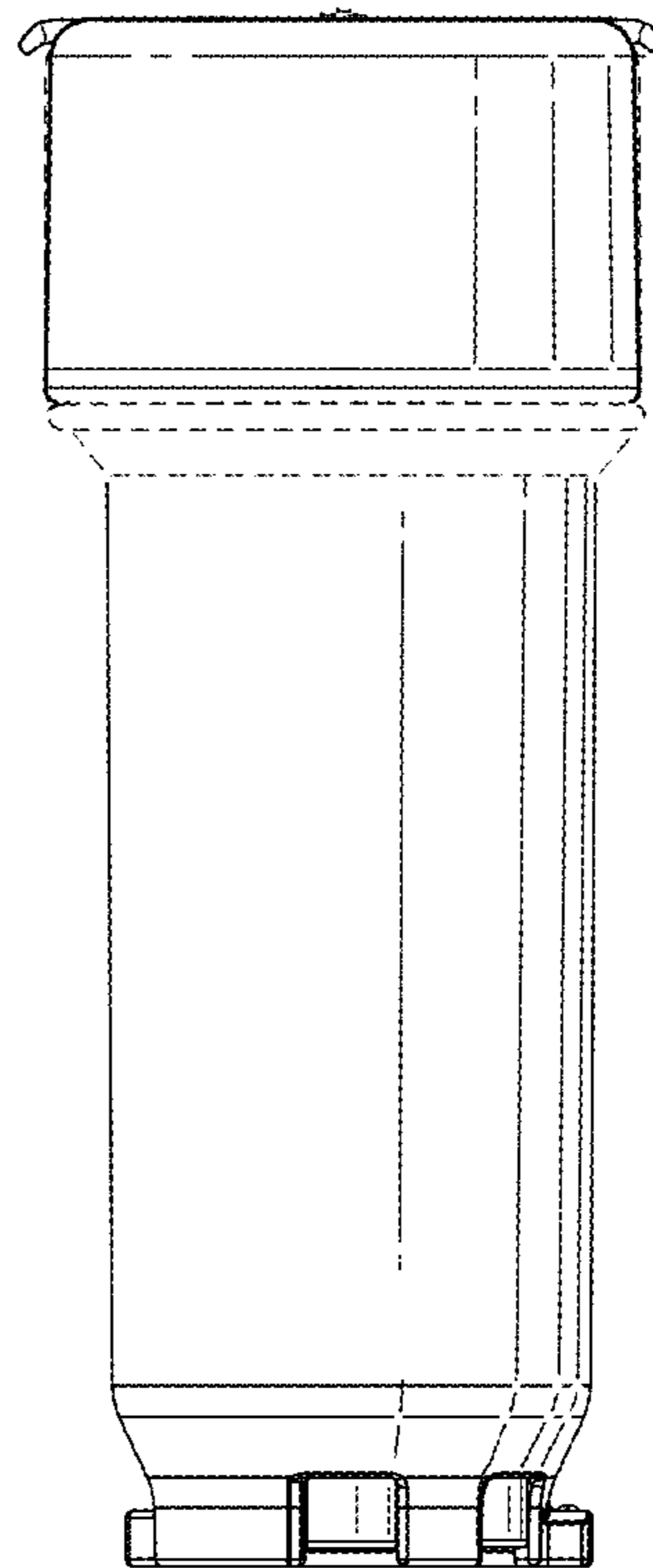


FIG. 4

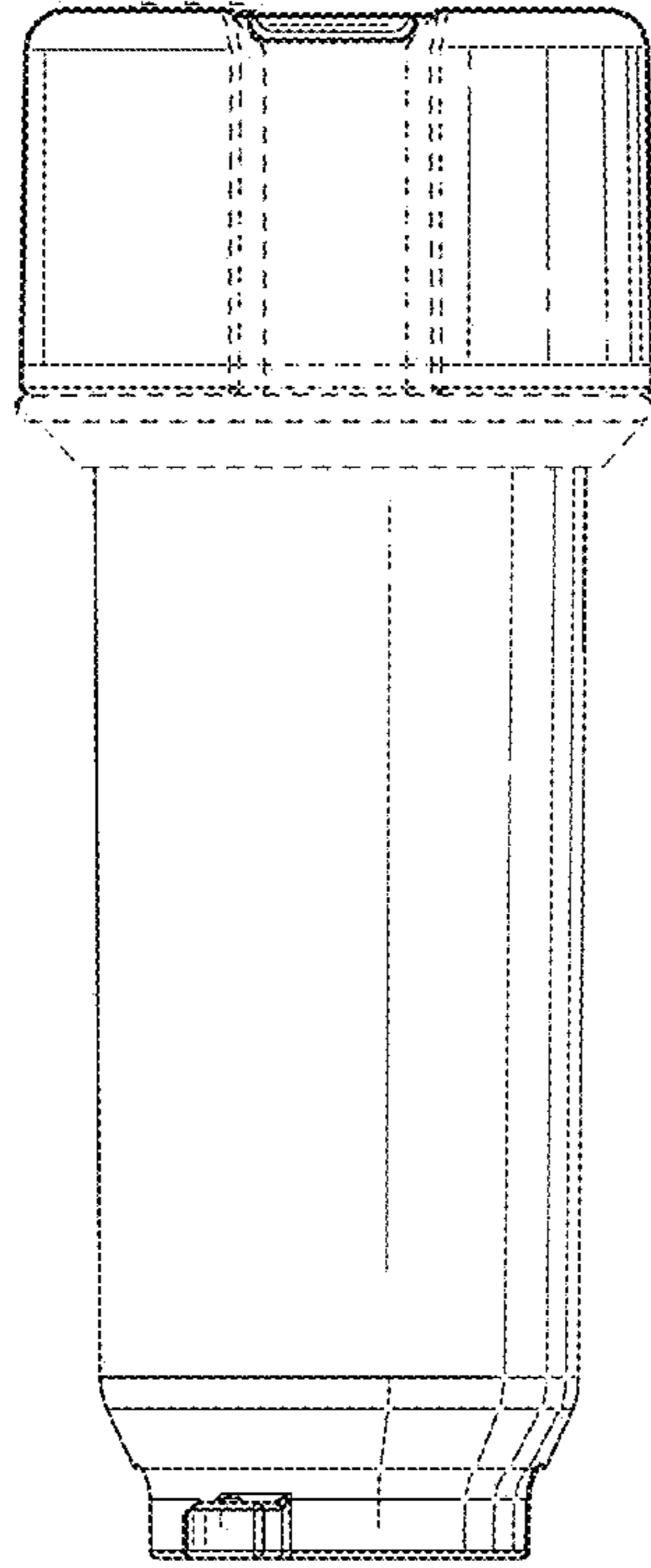


FIG. 5

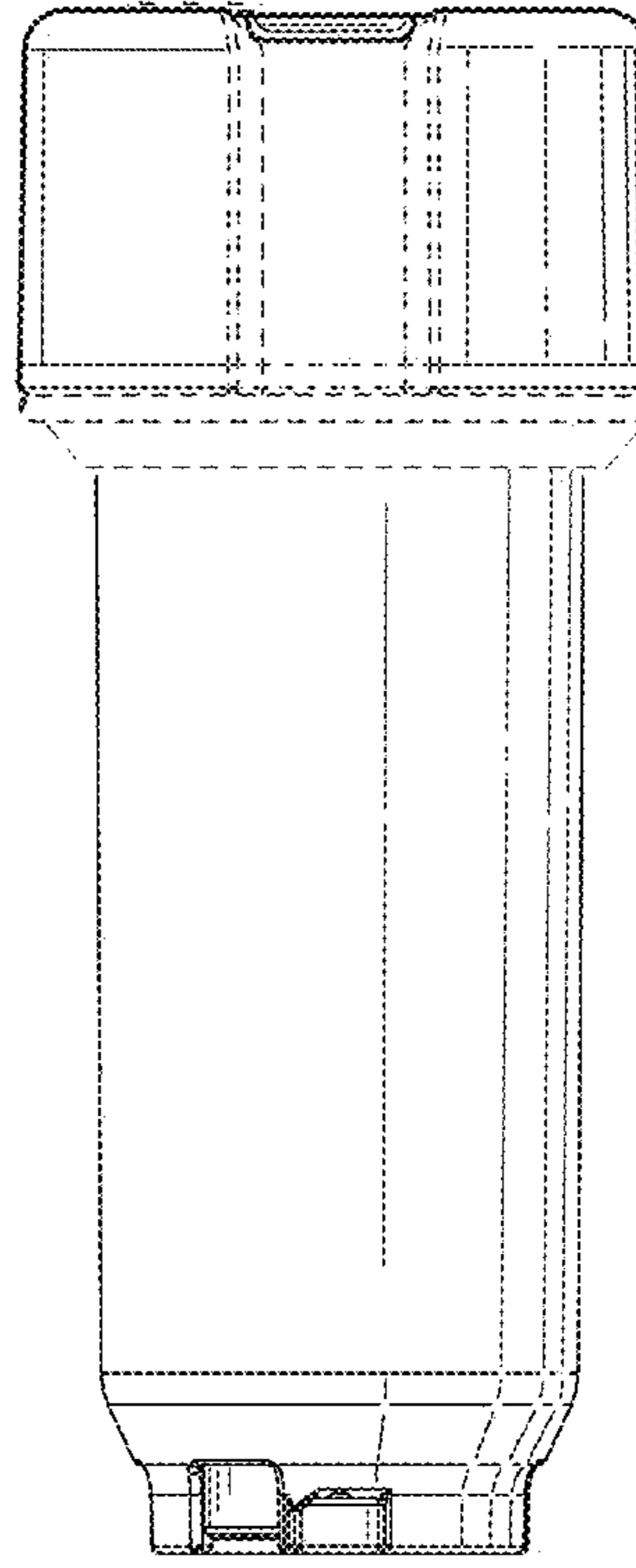


FIG. 6

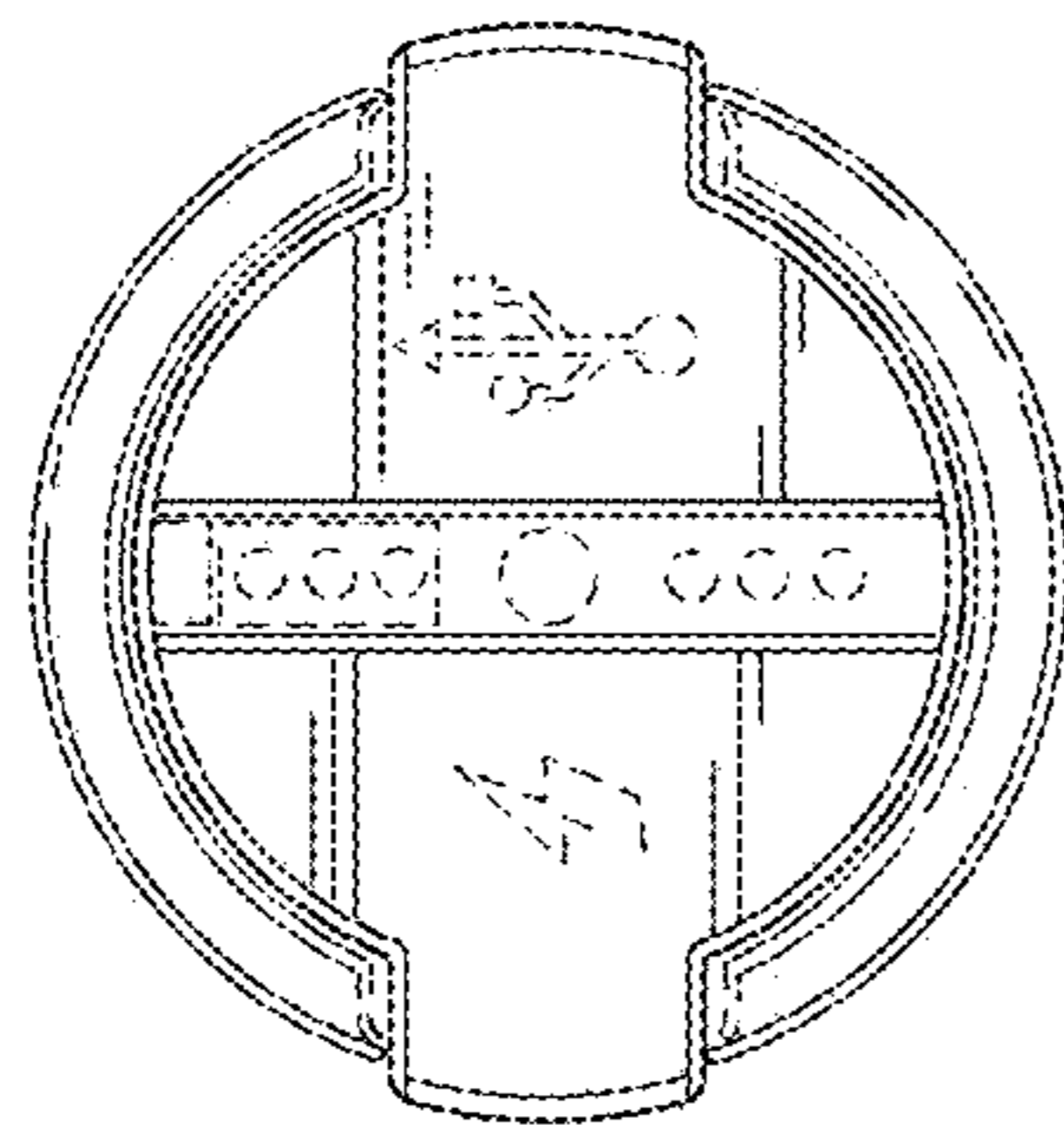


FIG. 7

