



US00D929308S

(12) **United States Design Patent** (10) **Patent No.:** **US D929,308 S**  
**Lee** (45) **Date of Patent:** **\*\* Aug. 31, 2021**

- (54) **CONSOLE**
- (71) Applicant: **HONDA MOTOR CO., LTD.**, Tokyo (JP)
- (72) Inventor: **Eun Jin Lee**, Torrance, CA (US)
- (73) Assignee: **HONDA MOTOR CO., LTD.**, Tokyo (JP)
- (\*\*) Term: **15 Years**
- (21) Appl. No.: **29/700,176**
- (22) Filed: **Jul. 31, 2019**
- (51) **LOC (13) Cl.** ..... **12-16**
- (52) **U.S. Cl.**  
USPC ..... **D12/415**
- (58) **Field of Classification Search**  
USPC ..... D12/415-420, 400, 195, 191, 106, 345, D12/96, 99, 192, 190, 110, 114; D14/157, 485, 489, 492, 488, 490, 210, D14/224.1, 258, 315; 296/24.3, 37.12, 296/97.1, 37.18; D10/102, 113.4, 49, 46, D10/98, 103, 12-127, 192, 110, 114; D21/477; 362/492  
CPC .... B60R 7/04; B60R 7/06; B60R 7/08; B60R 21/045; B60R 2300/305; B60K 37/00; B60K 37/02; B60K 37/04; B60K 37/06  
See application file for complete search history.

- D836,060 S \* 12/2018 Takagi ..... D12/415
- D888,650 S \* 6/2020 Yu ..... D12/415
- D890,078 S \* 7/2020 Nakao ..... D12/415

\* cited by examiner

*Primary Examiner* — Abraham Bahta  
(74) *Attorney, Agent, or Firm* — Arent Fox LLP

(57) **CLAIM**

The ornamental design for a console, as shown and described.

**DESCRIPTION**

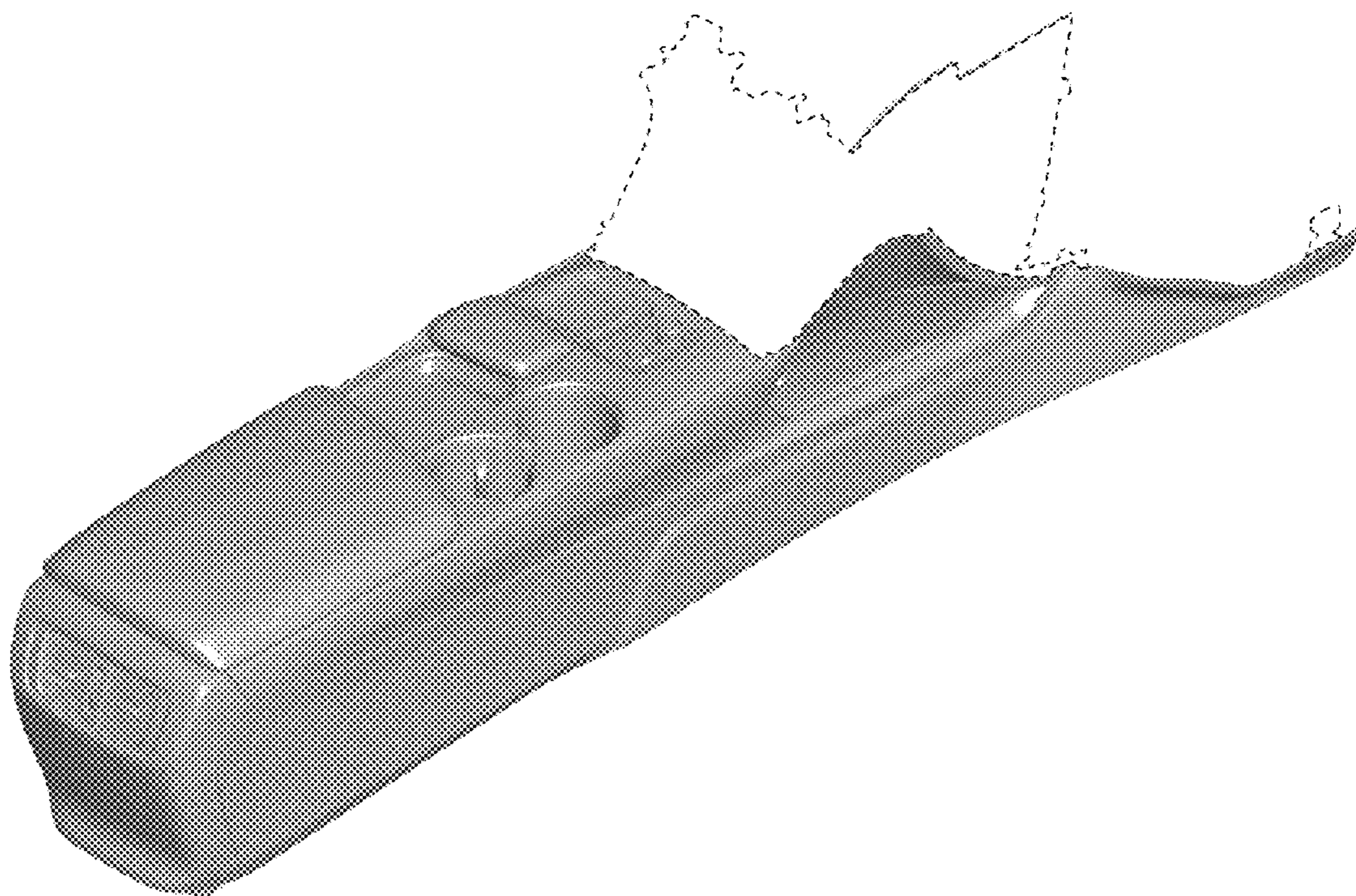
FIG. 1 is a front right perspective view of a console showing my new design;  
FIG. 2 is a front left perspective view of the design shown in FIG. 1;  
FIG. 3 is a rear left perspective view of the design shown in FIG. 1;  
FIG. 4 is a rear right perspective view of the design shown in FIG. 1;  
FIG. 5 is a front view of the design shown in FIG. 1;  
FIG. 6 is a rear view of the design shown in FIG. 1;  
FIG. 7 is a left side view of the design shown in FIG. 1;  
FIG. 8 is a right side view of the design shown in FIG. 1;  
FIG. 9 is a top view of the design shown in FIG. 1; and, FIG. 10 is a bottom view of the design shown in FIG. 1.  
The broken lines shown in the figures are included for the purpose of illustrating portions of the console and form no part of the claimed design.

(56) **References Cited**

U.S. PATENT DOCUMENTS

- D673,496 S \* 1/2013 Kikuta ..... D12/415
- D836,059 S \* 12/2018 Takagi ..... D12/415

**1 Claim, 10 Drawing Sheets**



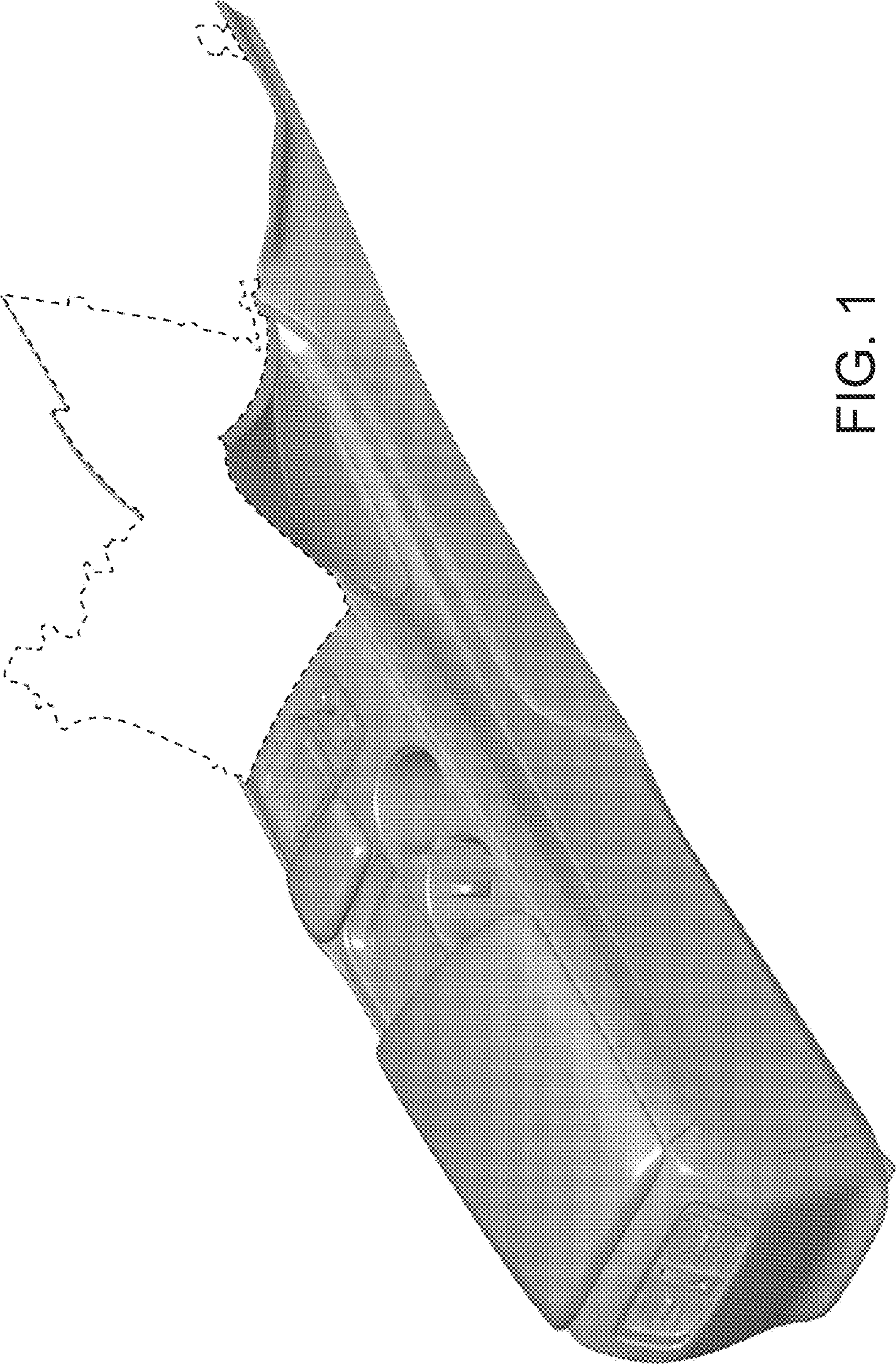


FIG. 1

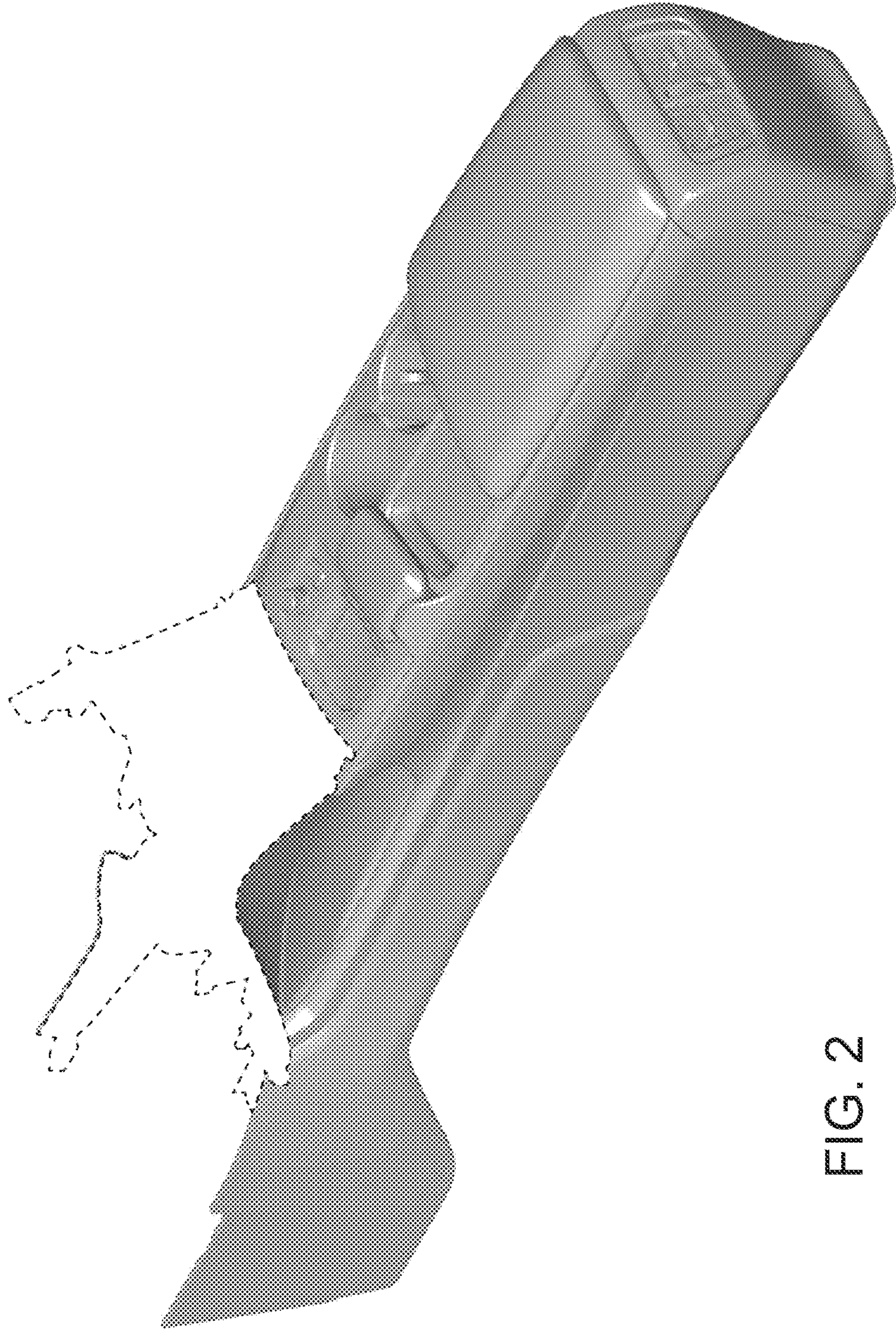


FIG. 2

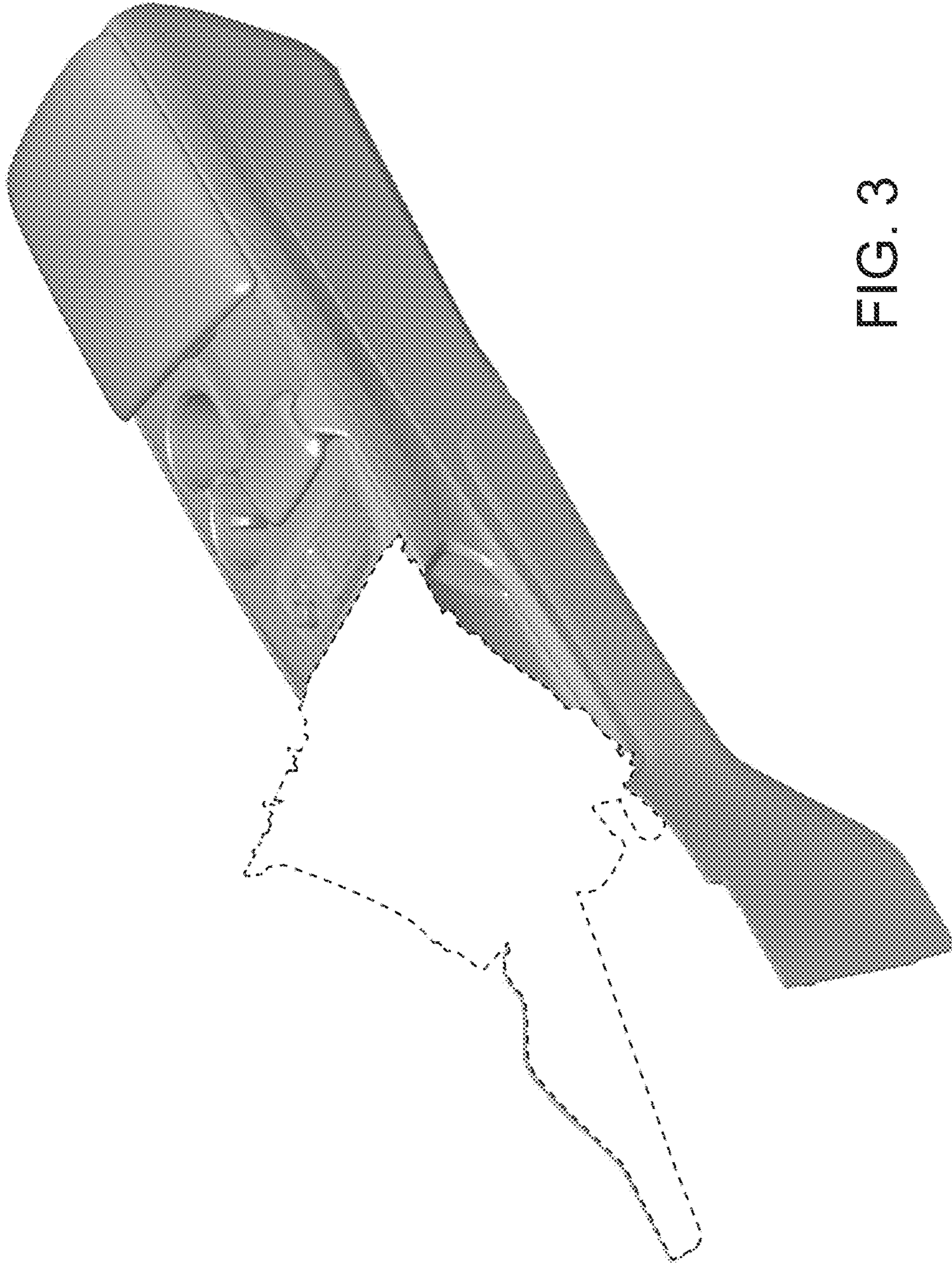


FIG. 3

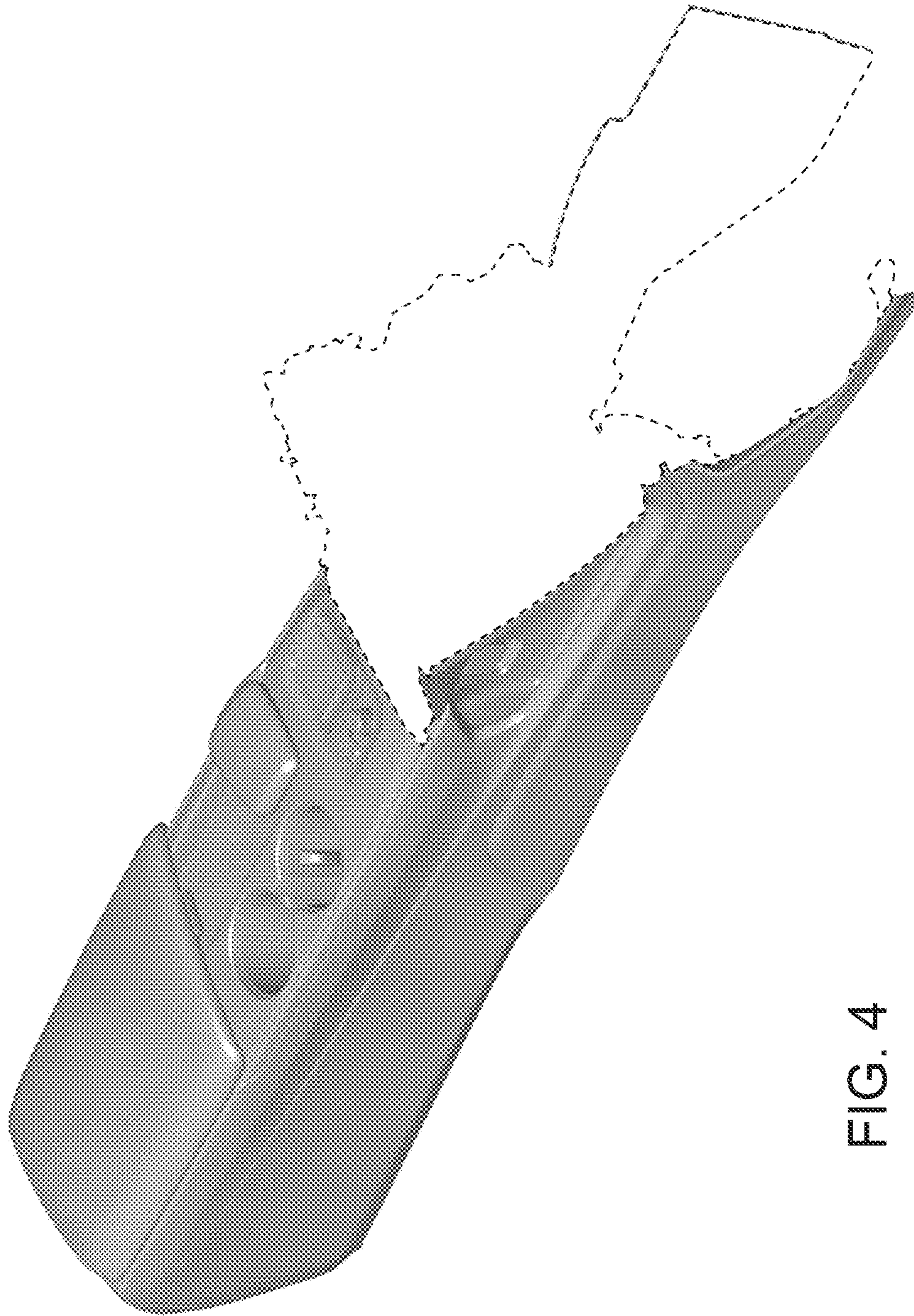


FIG. 4

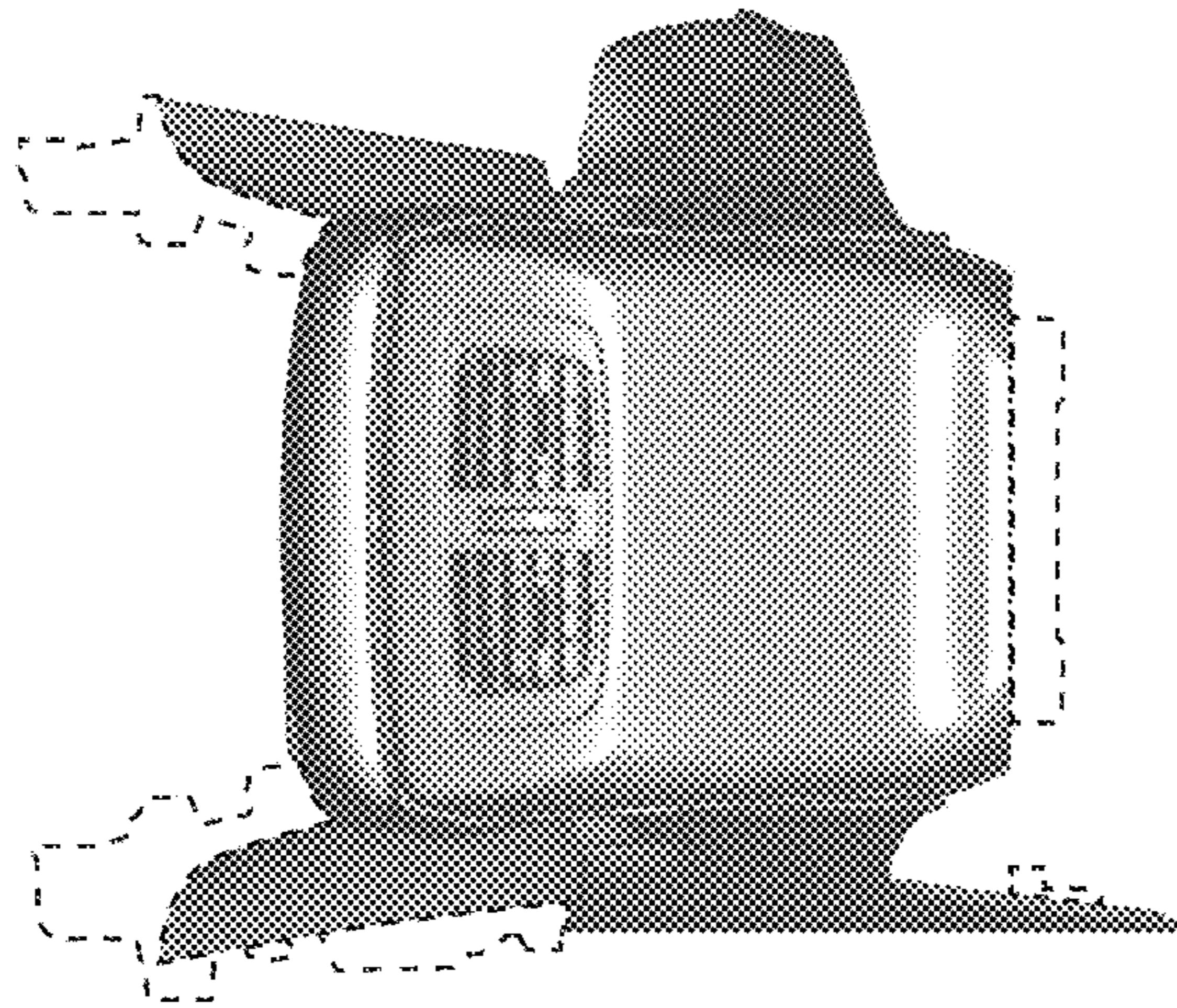


FIG. 5

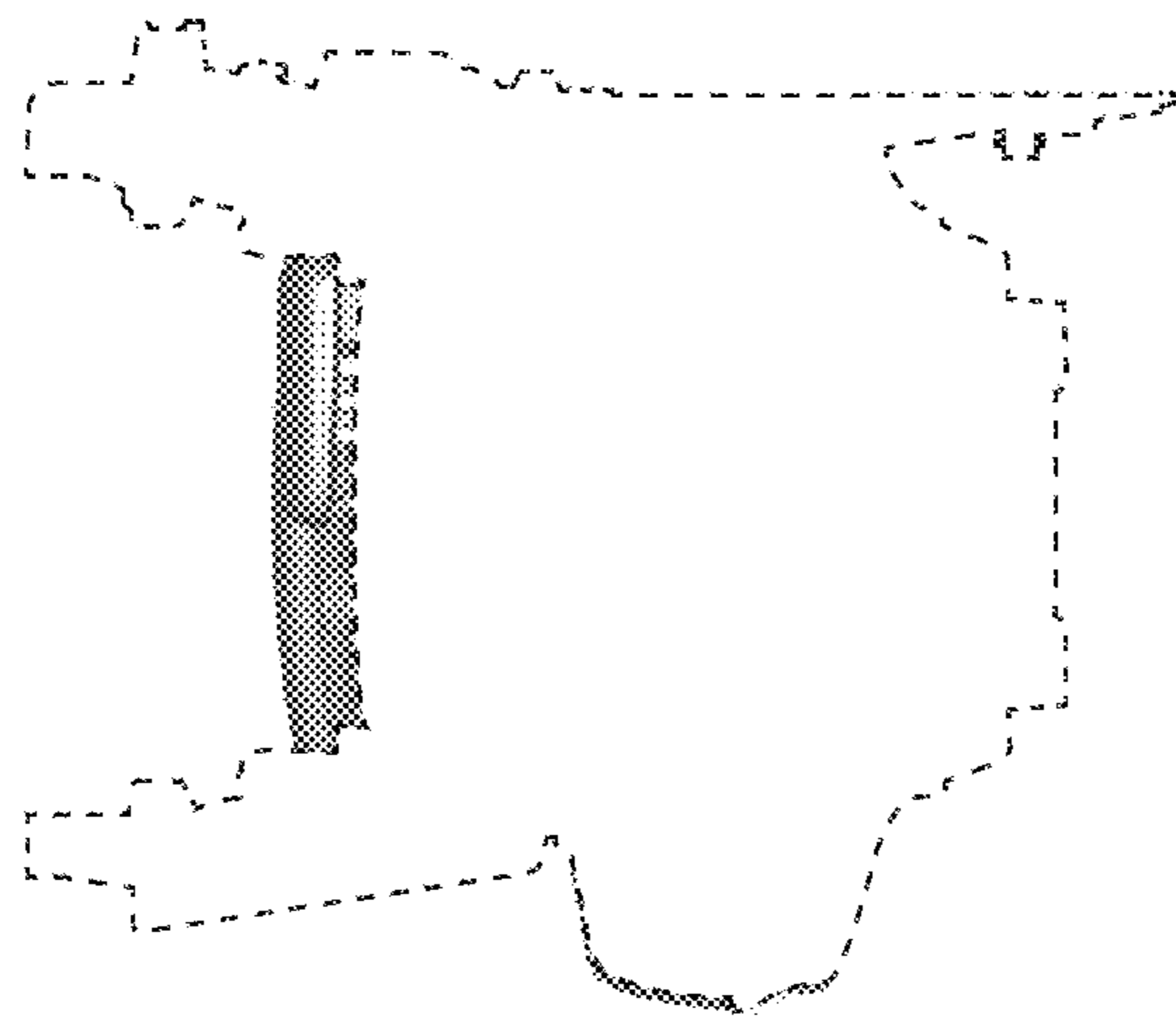


FIG. 6

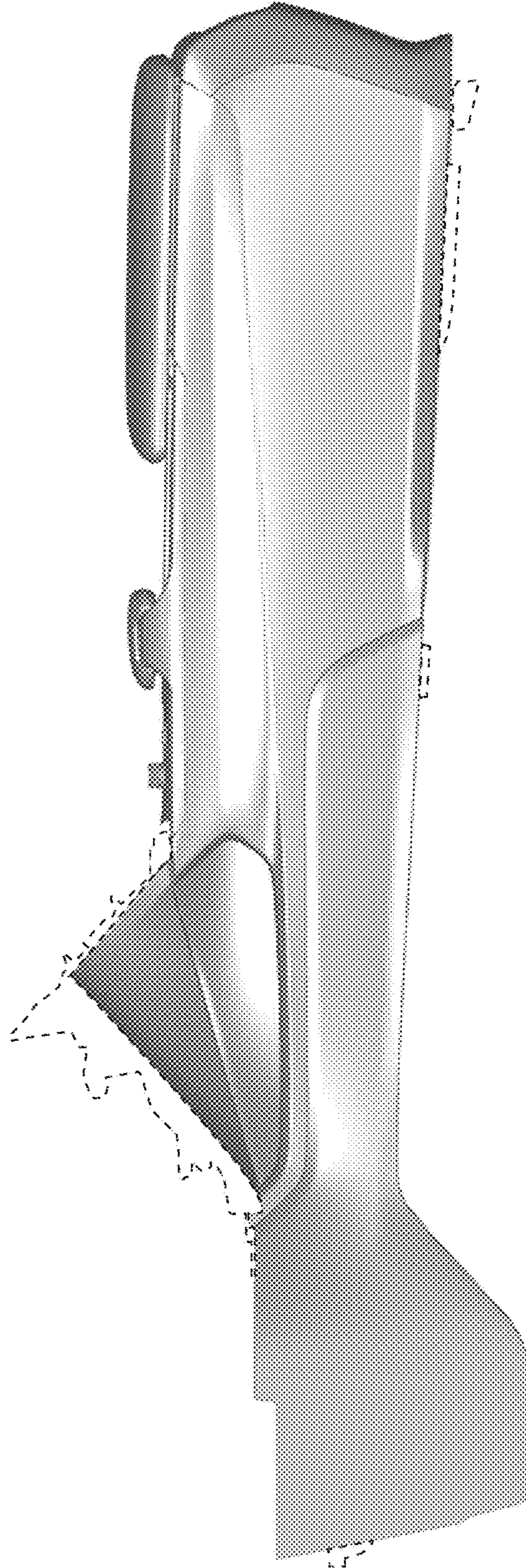


FIG. 7



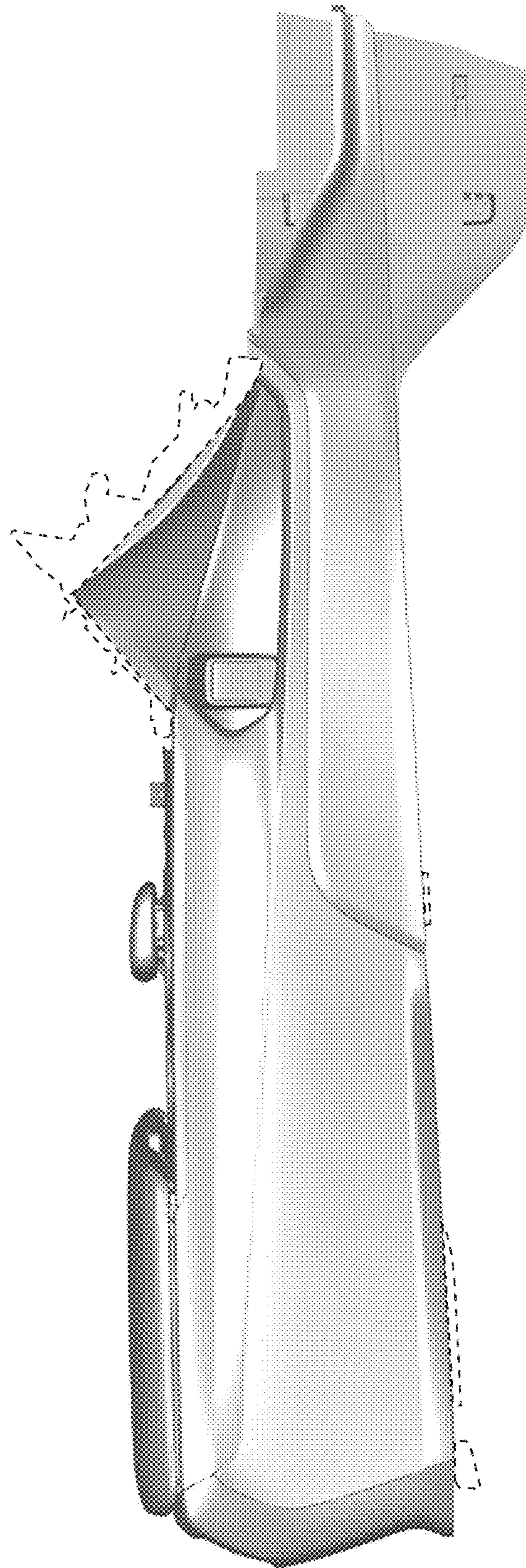


FIG. 8

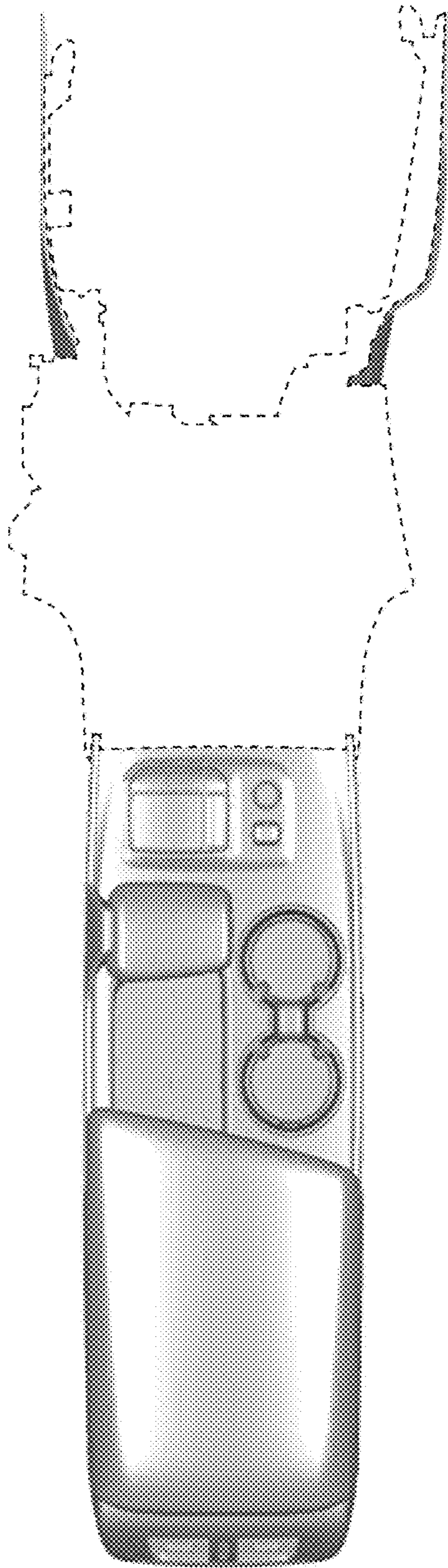


FIG. 9

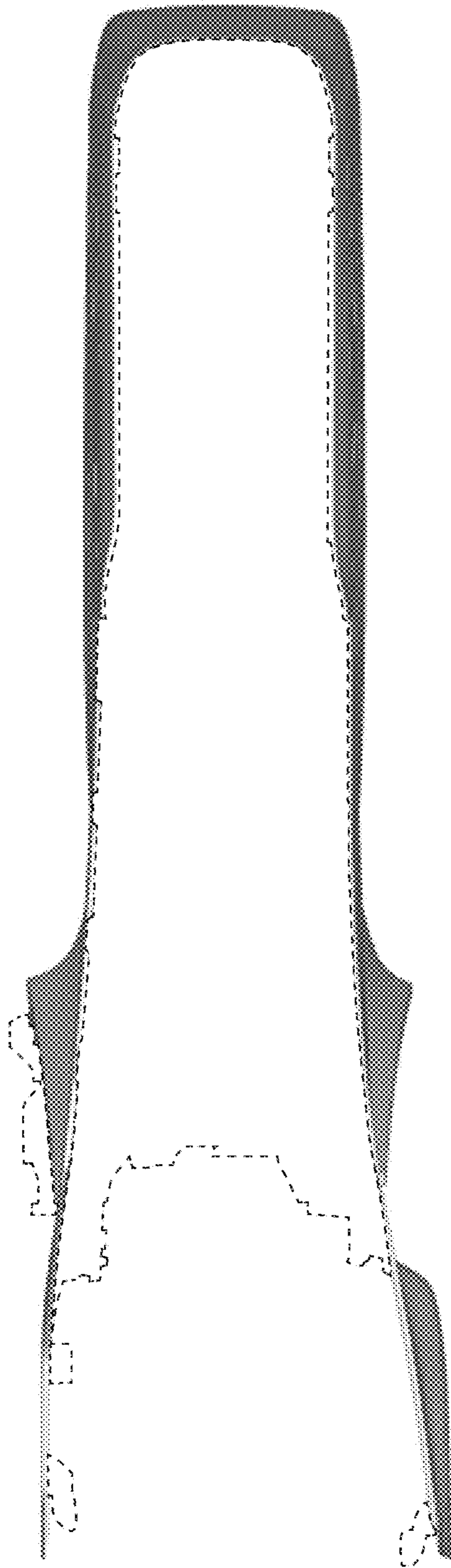


FIG. 10