

US00D929306S

(12) **United States Design Patent**  
**Hatcher et al.**

(10) **Patent No.:** **US D929,306 S**

(45) **Date of Patent:** **\*\* Aug. 31, 2021**

(54) **CARGO CARRIER**

(71) Applicant: **Winston Products LLC**, Cleveland,  
OH (US)

(72) Inventors: **Troy Hatcher**, Bay Village, OH (US);  
**Eric Yukich**, Stow, OH (US)

(73) Assignee: **Winston Products LLC**, Cleveland,  
OH (US)

(\*\*) Term: **15 Years**

(21) Appl. No.: **29/722,153**

(22) Filed: **Jan. 27, 2020**

(51) **LOC (13) Cl.** ..... **12-16**

(52) **U.S. Cl.**  
USPC ..... **D12/413**

(58) **Field of Classification Search**  
USPC ..... D12/413, 406–412, 414, 414.1; D32/35,  
D32/58; D6/317–319, 513–514  
CPC .. B60R 9/00; B60R 9/04; B60R 9/055; B60R  
9/052; B60R 9/058; B62J 9/003; B62J  
7/06; B62J 9/001  
See application file for complete search history.

(56) **References Cited**

**U.S. PATENT DOCUMENTS**

D269,667 S \* 7/1983 Taylor ..... D12/413  
D317,429 S 6/1991 Seaver

D319,422 S 8/1991 Tyner  
D410,224 S 5/1999 Landy  
D437,260 S \* 2/2001 Edgeller ..... D12/102  
D630,156 S 1/2011 Farber  
D798,798 S 10/2017 Krusinski et al.  
D819,611 S \* 6/2018 Kushita ..... D14/230  
D860,113 S 9/2019 Everett et al.  
D863,203 S 10/2019 Eriksson et al.  
D898,655 S \* 10/2020 Yang ..... D12/413

\* cited by examiner

*Primary Examiner* — Abraham Bahta

(74) *Attorney, Agent, or Firm* — Tucker Ellis LLP

(57) **CLAIM**

The ornamental design for a cargo carrier, as shown and described.

**DESCRIPTION**

FIG. 1 is a front perspective view of a cargo carrier showing our new design.

FIG. 2 is a rear perspective view thereof.

FIG. 3 is a front view thereof.

FIG. 4 is a rear view thereof.

FIG. 5 is a left side view thereof.

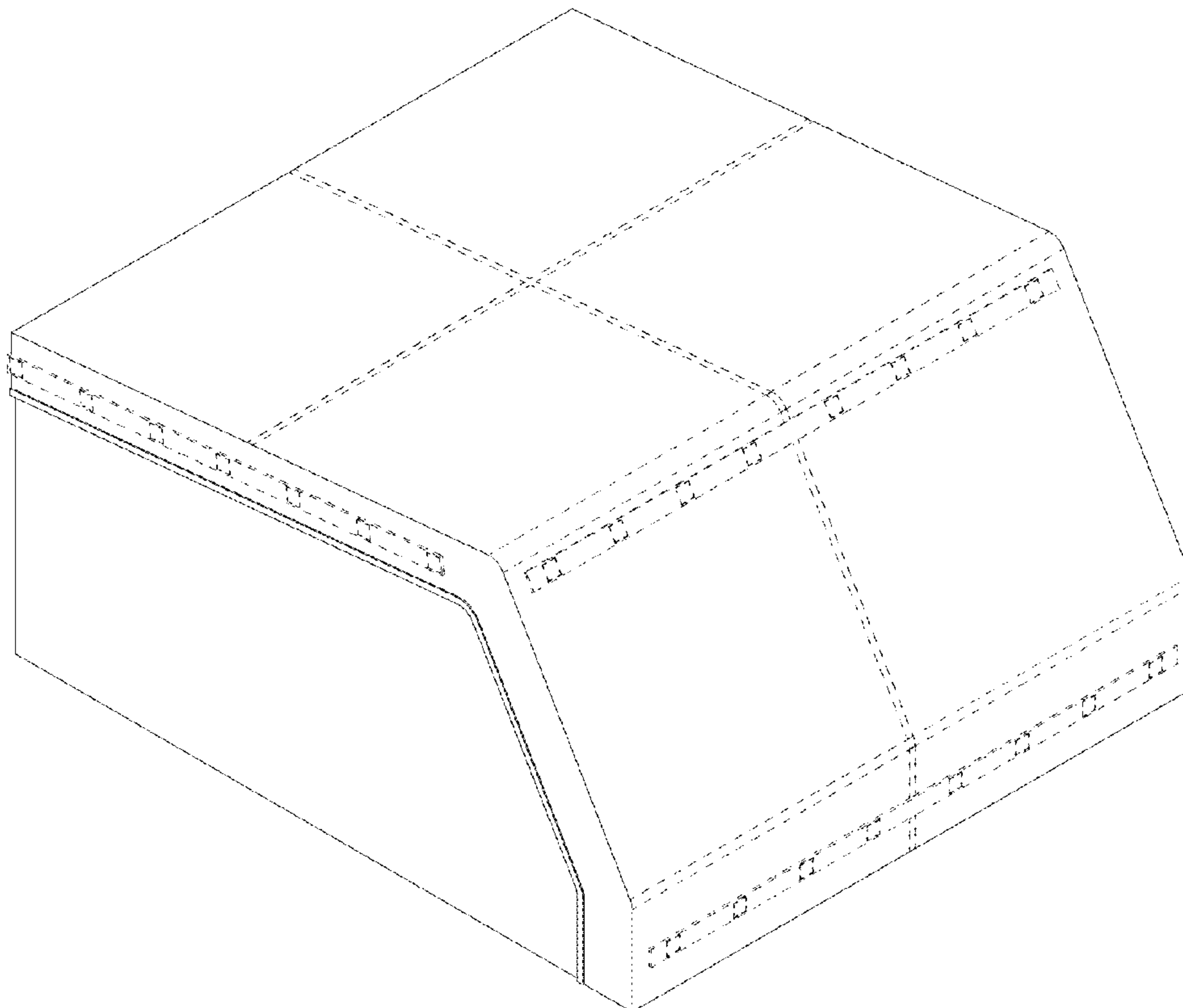
FIG. 6 is a right side view thereof.

FIG. 7 is a top view thereof; and,

FIG. 8 is a bottom view thereof.

The broken lines show portions of the design that form no part of the claimed design.

**1 Claim, 6 Drawing Sheets**



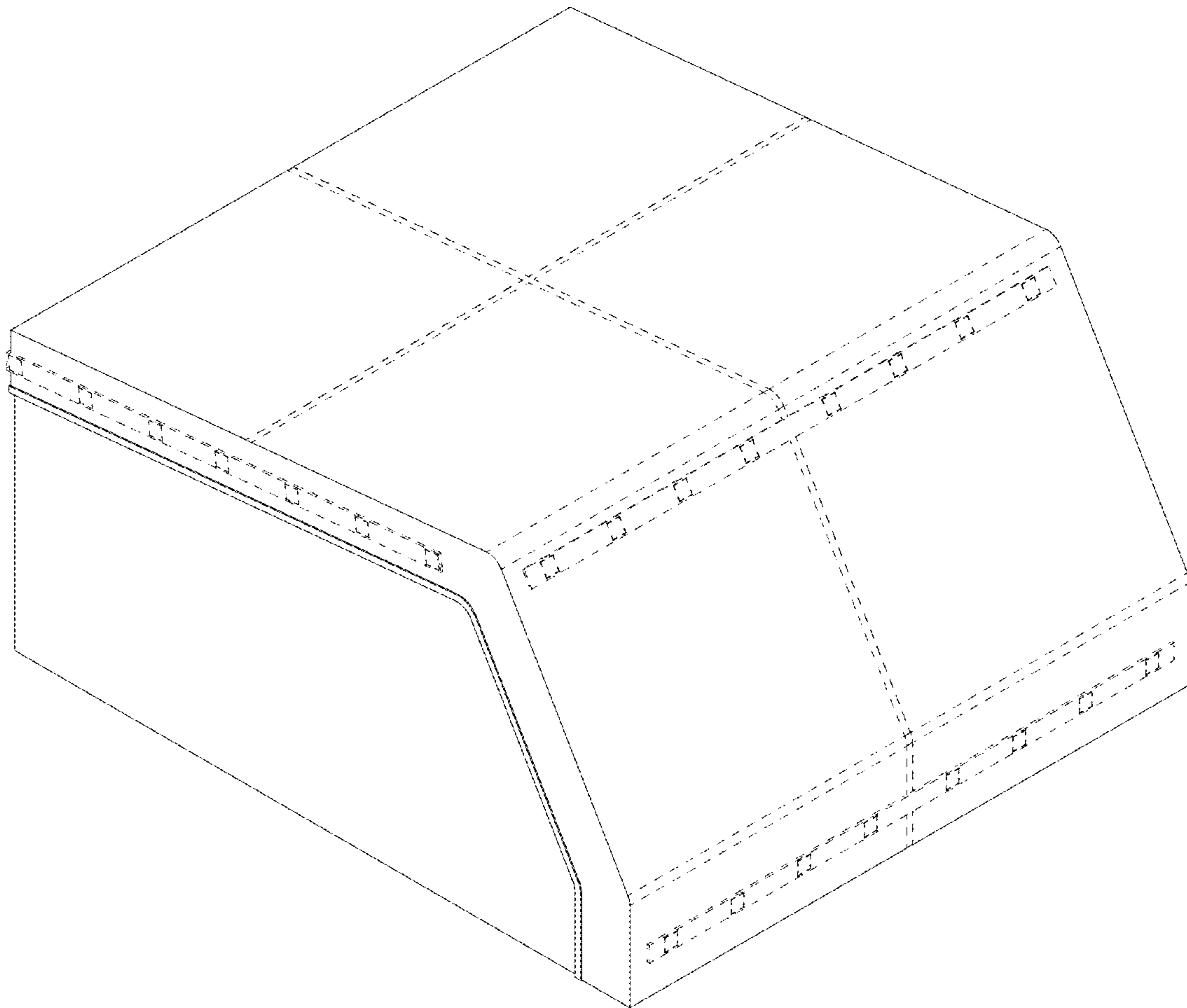


FIG. 1

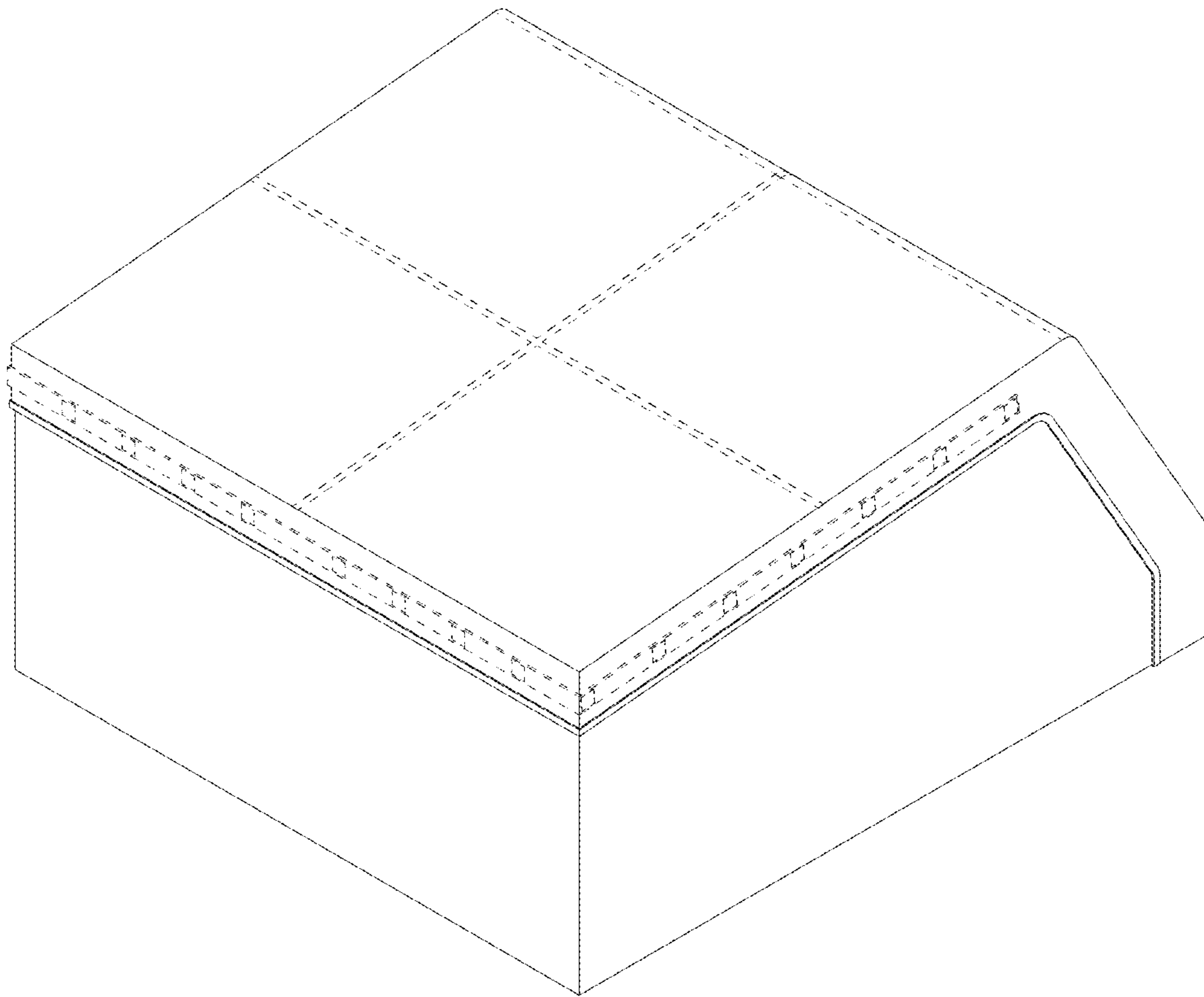


FIG. 2

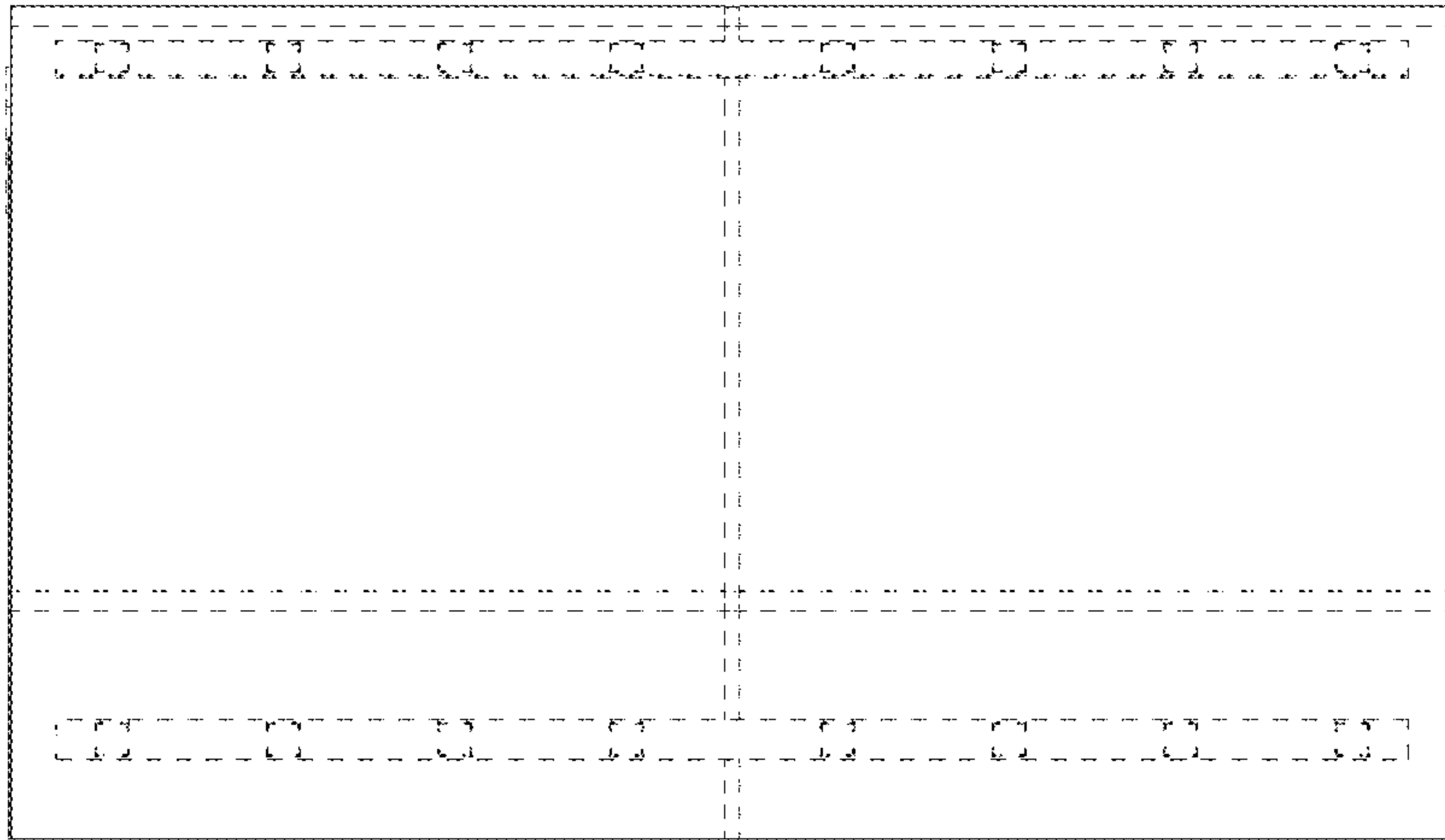


FIG. 3

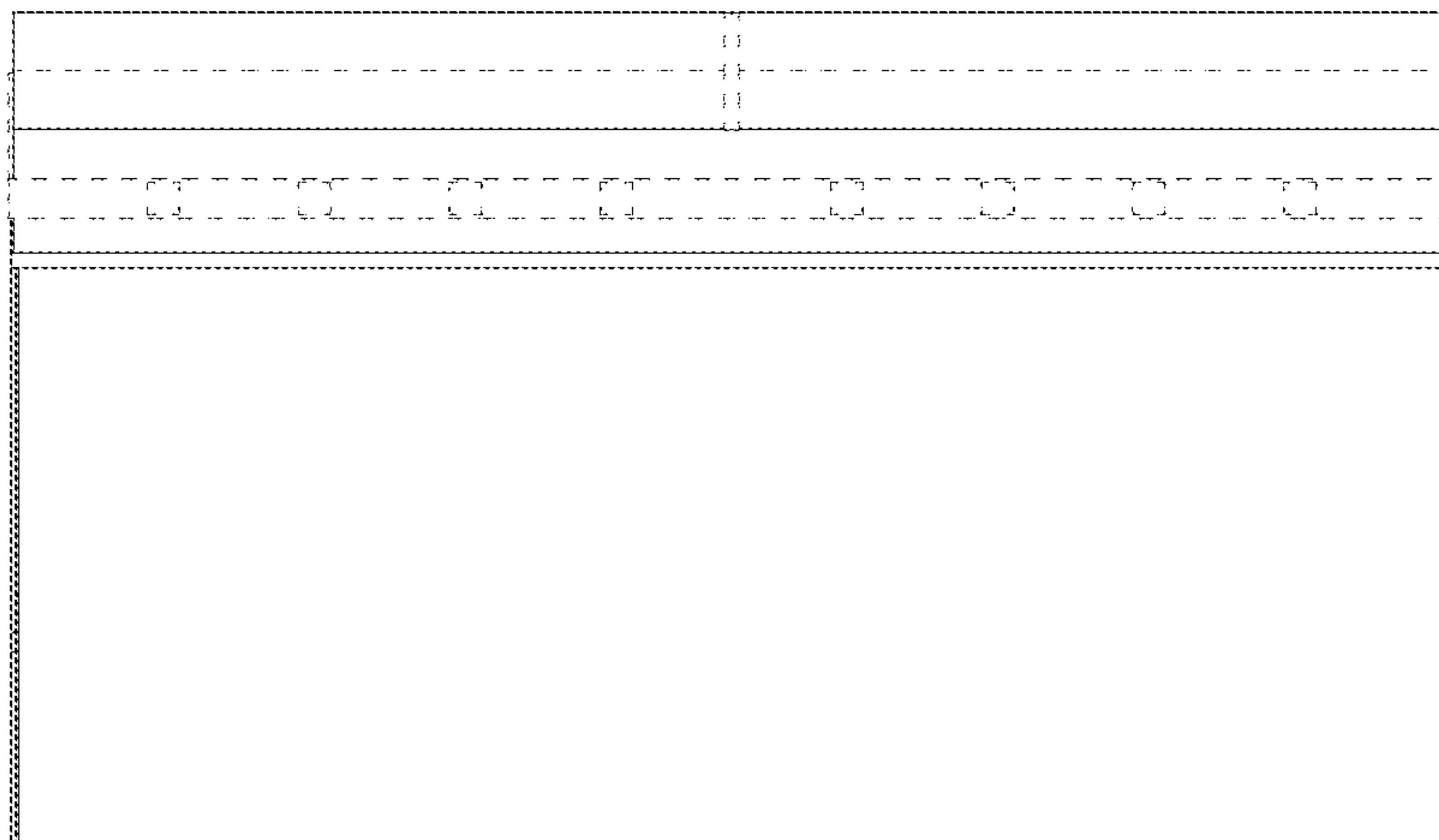


FIG. 4

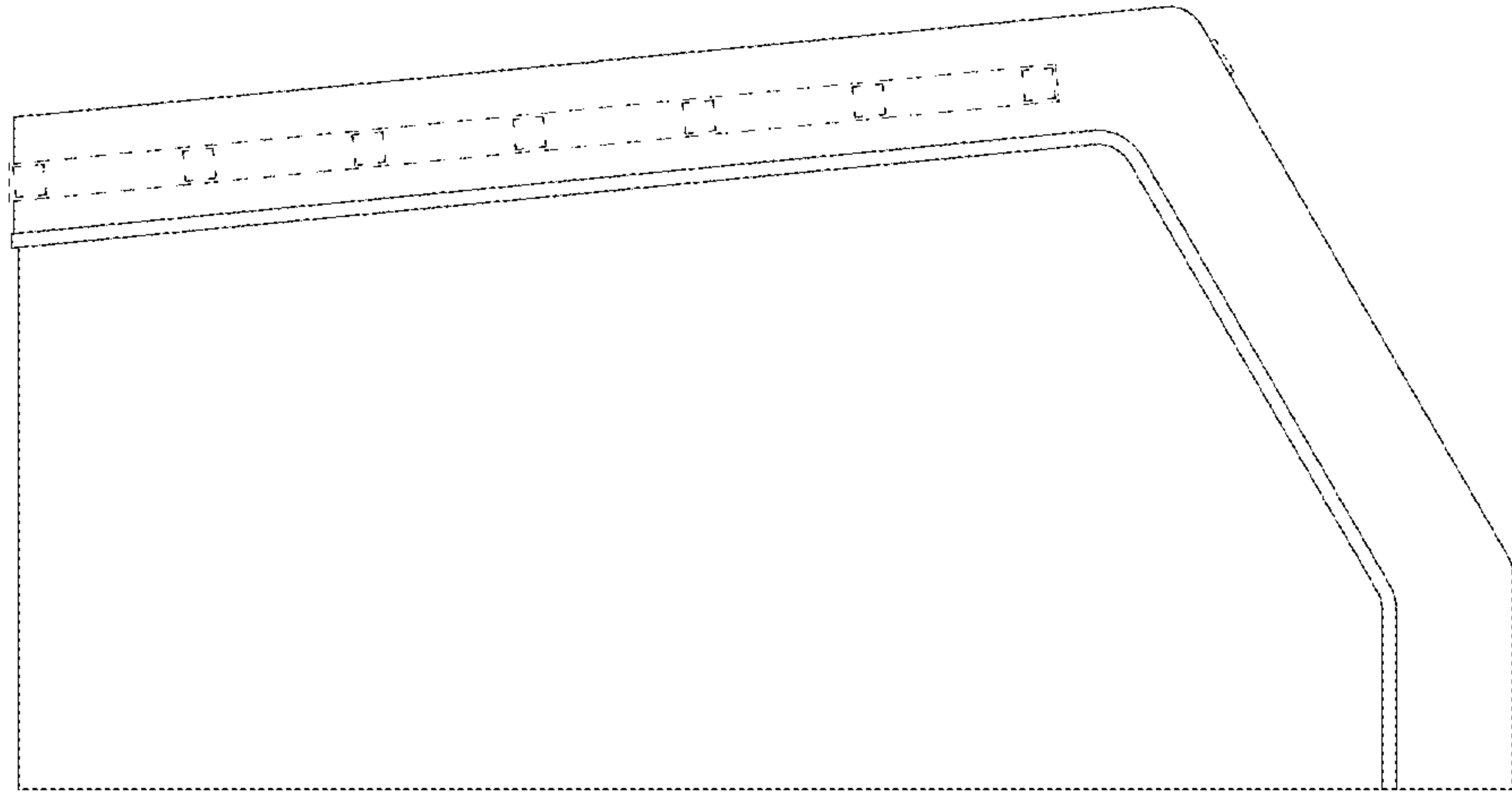


FIG. 5

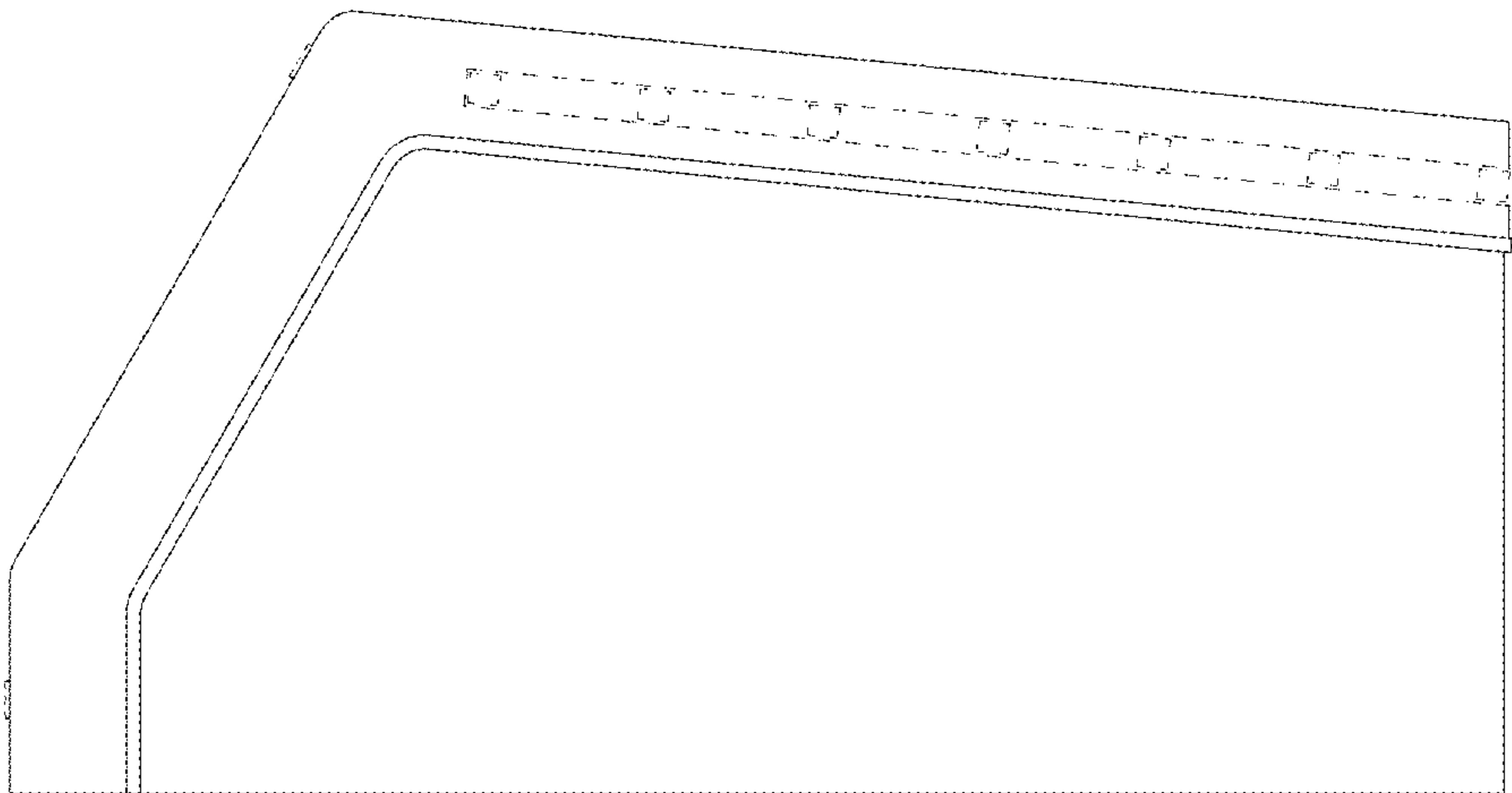


FIG. 6

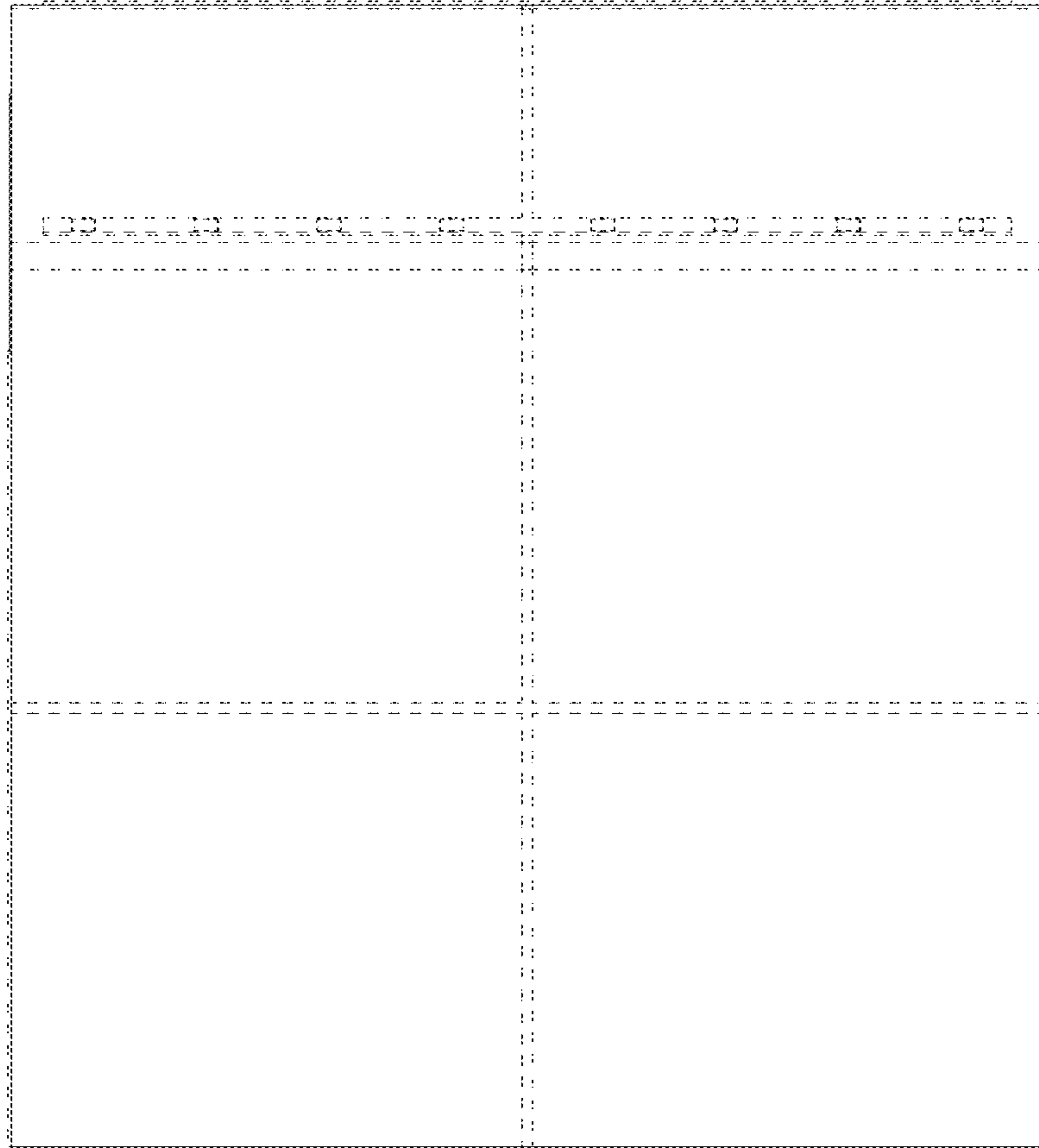
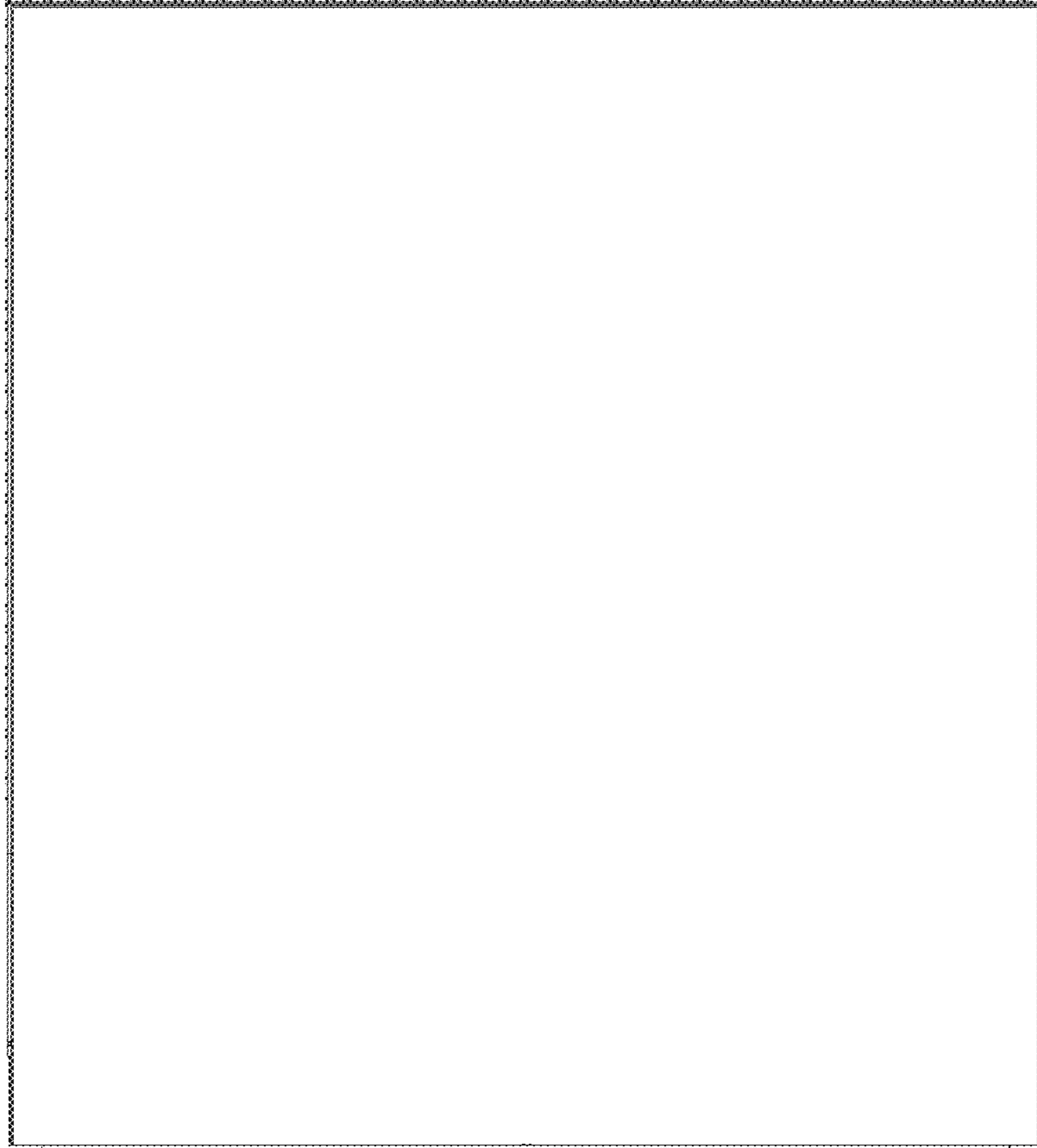


FIG. 7



**FIG. 8**