

US00D929305S

(12) **United States Design Patent**
Queener

(10) **Patent No.:** **US D929,305 S**
(45) **Date of Patent:** **** Aug. 31, 2021**

(54) **TELESCOPING CART COVER**

(71) Applicant: **Derek Queener**, Clearwater, FL (US)

(72) Inventor: **Derek Queener**, Clearwater, FL (US)

(**) Term: **15 Years**

(21) Appl. No.: **29/721,640**

(22) Filed: **Jan. 22, 2020**

(51) **LOC (13) Cl.** **12-16**

(52) **U.S. Cl.**
USPC **D12/401**

(58) **Field of Classification Search**
USPC D12/106, 183, 400, 401, 402, 403, 404,
D12/405; D21/561, 834, 837
CPC ... B60J 11/00; B60J 11/02; B60J 11/04; B60J
11/06; B60J 11/08; B60J 1/2094; B60J
7/0084; B60J 7/02; B60J 7/022; B60J
7/04; B60J 7/047; B60J 7/061; B60J
7/062; B60J 7/067; B60J 7/08; B60J
7/10; B60J 7/11; B60J 7/12; E04H 15/08;
E04H 15/34; E04H 15/54; E04H 15/58;
B60P 3/343

See application file for complete search history.

(56) **References Cited**

U.S. PATENT DOCUMENTS

3,052,251	A *	9/1962	Jean, Jr.	E04H 15/46 135/96
4,830,037	A *	5/1989	Held	B62B 5/0013 135/88.09
5,036,898	A *	8/1991	Chen	E06B 9/40 160/23.1
D393,560	S *	4/1998	Adams	D12/191
5,741,041	A *	4/1998	Sullivan	B60J 7/10 135/88.09
5,975,613	A *	11/1999	Sippel	B62B 9/145 296/77.1

(Continued)

FOREIGN PATENT DOCUMENTS

DE 19726712 A1 * 12/1998 E04H 15/08
KR 20160003767 U * 11/2016

OTHER PUBLICATIONS

Golf Cart Roof Undermount Slider Cover, Published date unavail-
able [online], [retrieved on May 5, 2021], Retrieved from the
Internet : https://www.etsy.com/listing/990858777/undermount-slider-cover-for-long-roof?ref=shop_home_active_7 (Year: 2021).*

(Continued)

Primary Examiner — Christian P. McLean

Assistant Examiner — Adam C Mager

(74) *Attorney, Agent, or Firm* — Larson & Larson, P.A.;
Justin P. Miller; Frank Liebenow

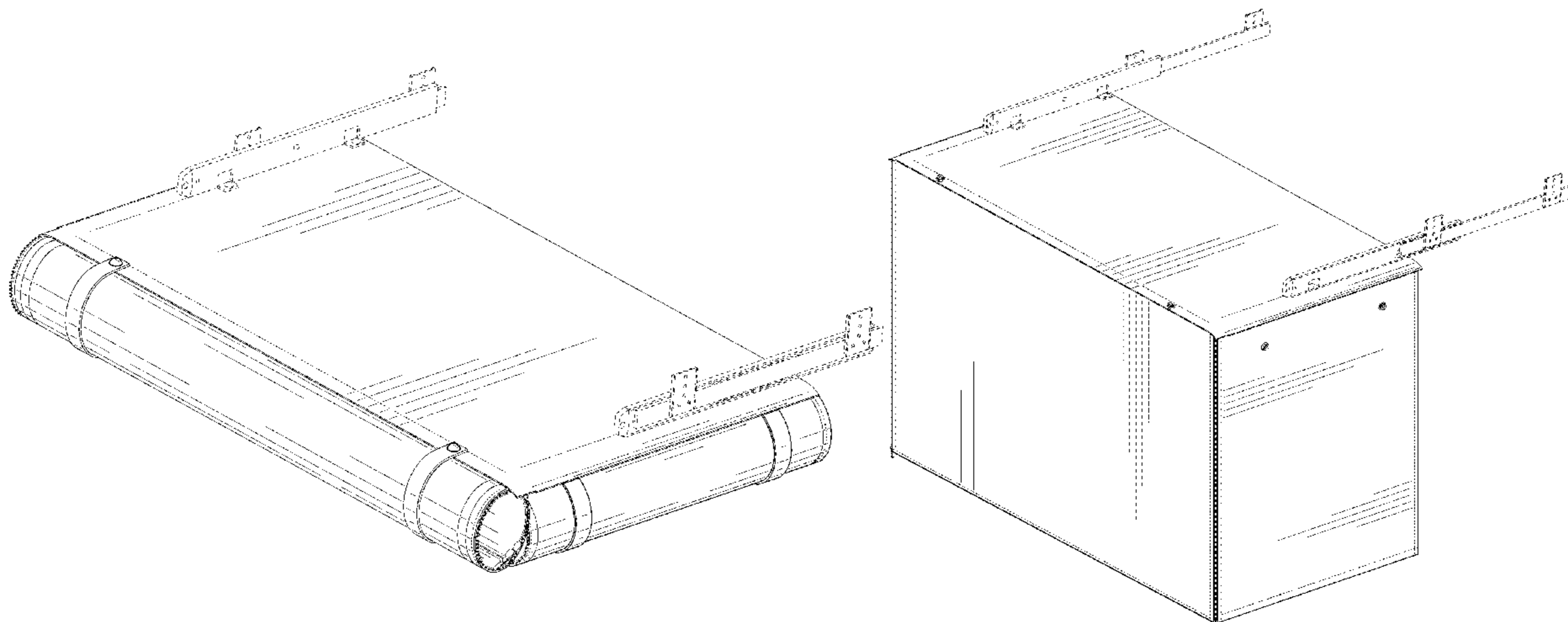
(57) **CLAIM**

I claim the ornamental design for a telescoping cart cover, as shown and described.

DESCRIPTION

FIG. 1 is a perspective view of a telescoping cart cover showing my new design;
FIG. 2 is a front elevation view thereof;
FIG. 3 is a right-side elevation view thereof;
FIG. 4 is a bottom plan view thereof;
FIG. 5 is a back elevation view thereof;
FIG. 6 is a left-side elevation view thereof showing the telescoping cart cover in a retracted position;
FIG. 7 is a perspective view of the telescoping cart cover in an extended and lowered position; and,
FIG. 8 is a side-perspective view showing the telescoping cart cover in an extended and lowered position.
The evenly dashed, closely-spaced broken lines on the telescoping cart cover illustrate stitching and form part of the claimed design. The remaining broken lines in FIGS. 6, 8 illustrate environmental structure and form no part of the claimed design.

1 Claim, 8 Drawing Sheets



(56)

References Cited

U.S. PATENT DOCUMENTS

6,007,134 A * 12/1999 Weston B60J 11/00
296/83
6,068,325 A * 5/2000 Hughes B60J 7/08
280/DIG. 5
6,220,657 B1 * 4/2001 Rea B60J 7/04
296/216.03
6,227,217 B1 * 5/2001 Peta B60J 7/10
135/88.07
6,497,444 B1 * 12/2002 Simon B62B 5/0013
296/83
6,709,043 B2 * 3/2004 Beusse B60J 7/102
280/DIG. 5
6,805,396 B2 * 10/2004 True B60J 7/10
135/88.01
D509,091 S * 9/2005 Smith D6/575
6,953,216 B2 * 10/2005 Held B62D 31/00
296/100.14
7,387,133 B1 * 6/2008 True B60J 7/10
135/88.05
7,448,666 B2 * 11/2008 Tyrer B60J 7/085
296/100.14
D637,853 S * 5/2011 Ehram D6/575
D664,264 S * 7/2012 Cramer D25/57
D728,264 S * 5/2015 Bacolas D6/575
9,254,734 B2 * 2/2016 Held B60J 5/06

9,969,247 B1 * 5/2018 Houze, Jr. B60J 7/04
10,457,126 B2 * 10/2019 Held B60J 7/102
D909,090 S * 2/2021 Diamond D6/575
2002/0017803 A1 * 2/2002 Dolan B60J 7/10
296/100.18
2003/0183262 A1 * 10/2003 Tyrer B60J 7/1295
135/88.09
2004/0021340 A1 * 2/2004 Beusse B60J 7/102
296/136.07
2005/0017537 A1 * 1/2005 Held B62D 31/00
296/102
2006/0033356 A1 * 2/2006 Mrotek B60J 7/1226
296/107.01
2006/0202503 A1 * 9/2006 Tyrer B60J 7/085
296/100.14
2014/0232147 A1 * 8/2014 Held B60J 7/1226
296/210
2018/0099548 A1 * 4/2018 Held B60J 7/20
2018/0326824 A1 * 11/2018 Held B60J 7/10

OTHER PUBLICATIONS

Golf Cart Extension Roof Slider Version, Published date unavailable [online], [retrieved on May 5, 2021], Retrieved from the Internet: <https://www.etsy.com/listing/902713978/golf-cart-extension-roof-slider-version?ref=related-3> (Year: 2021).*

* cited by examiner

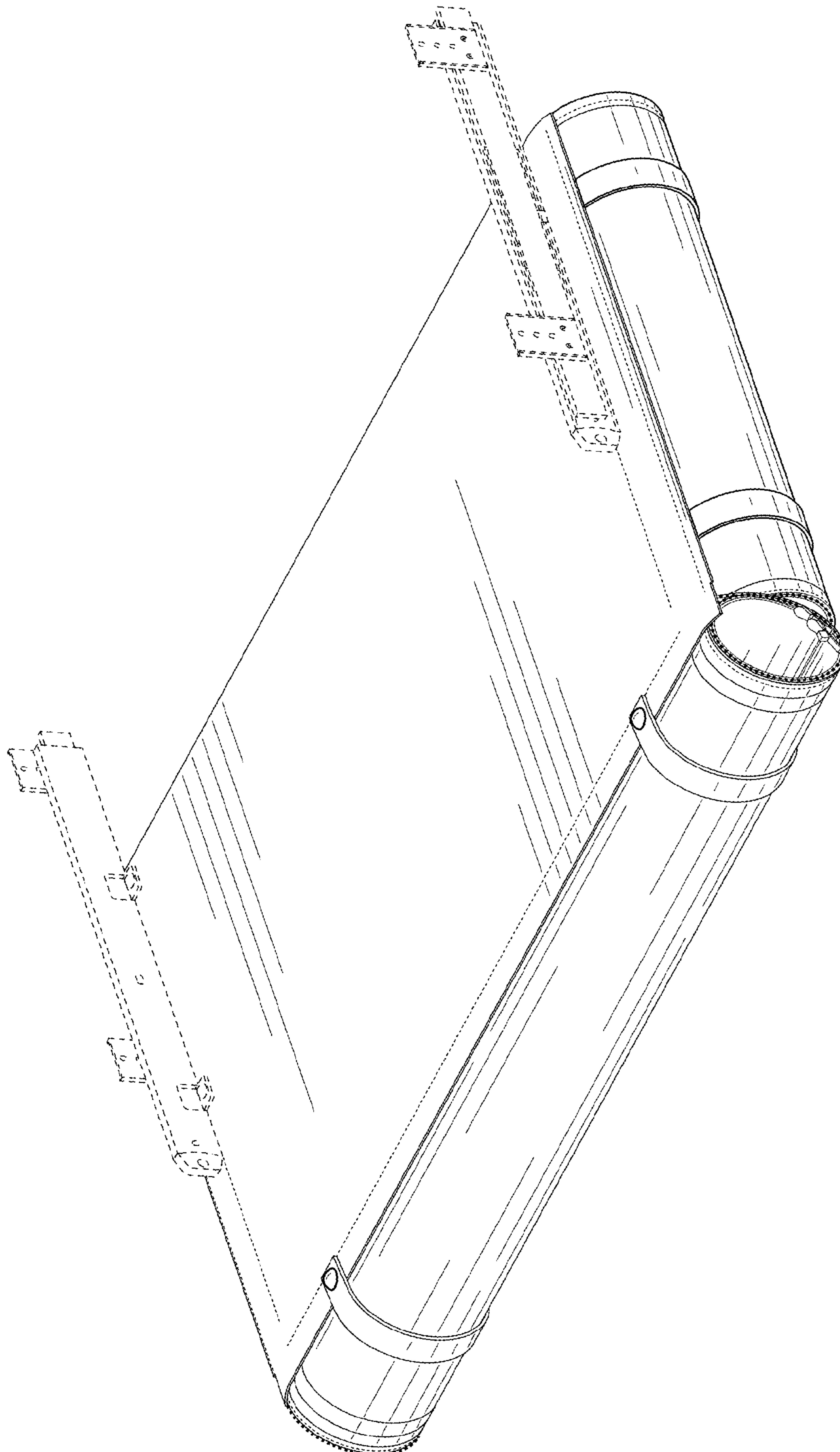


FIG. 1

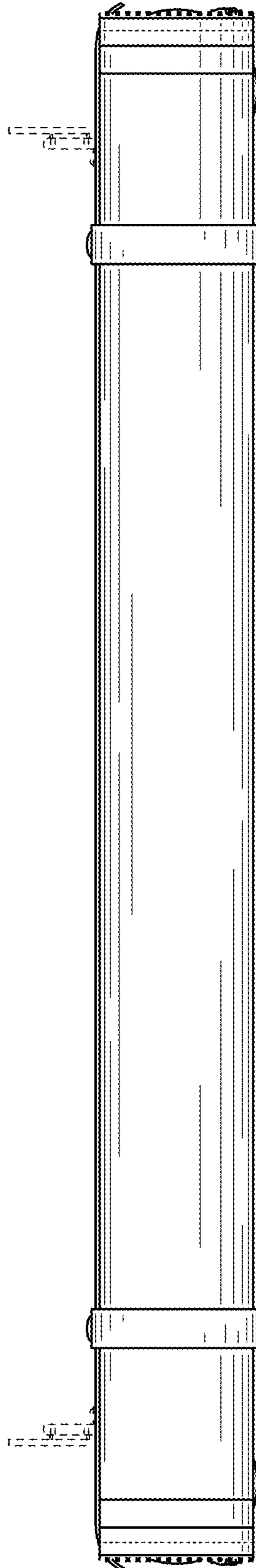


FIG. 2

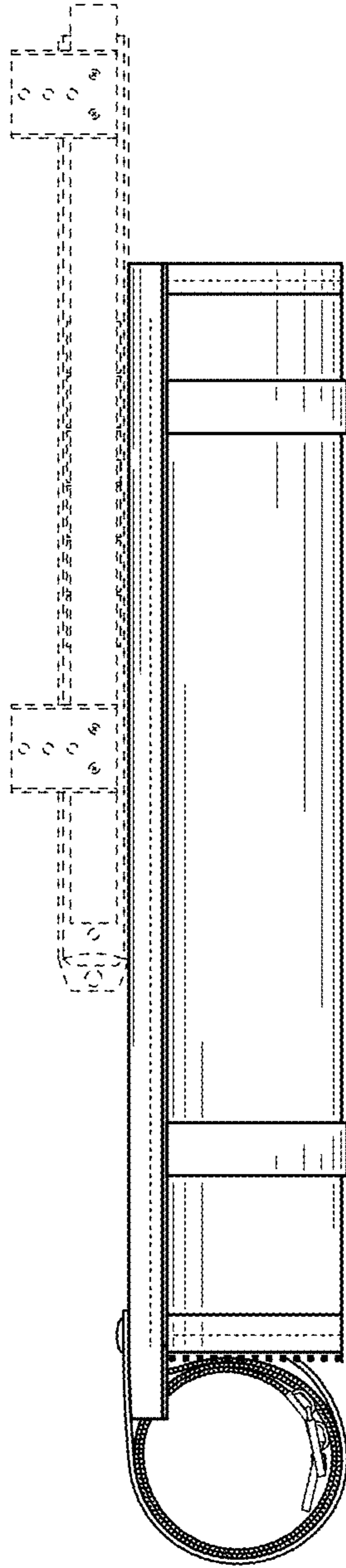


FIG. 3

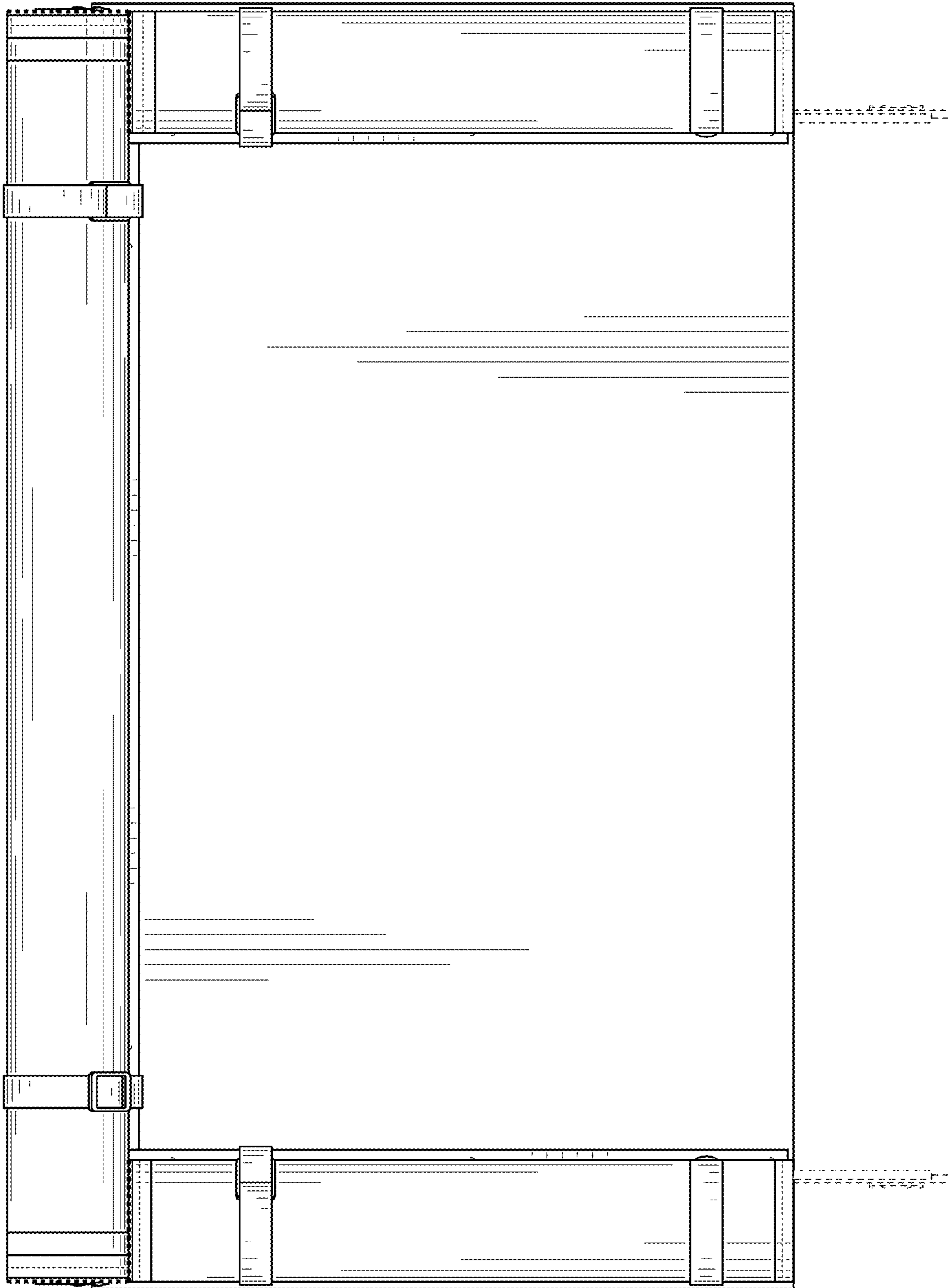


FIG. 4

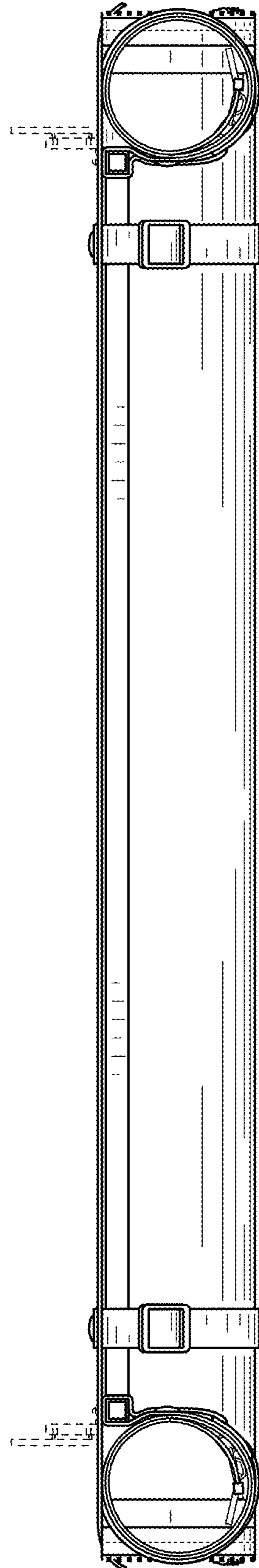


FIG. 5

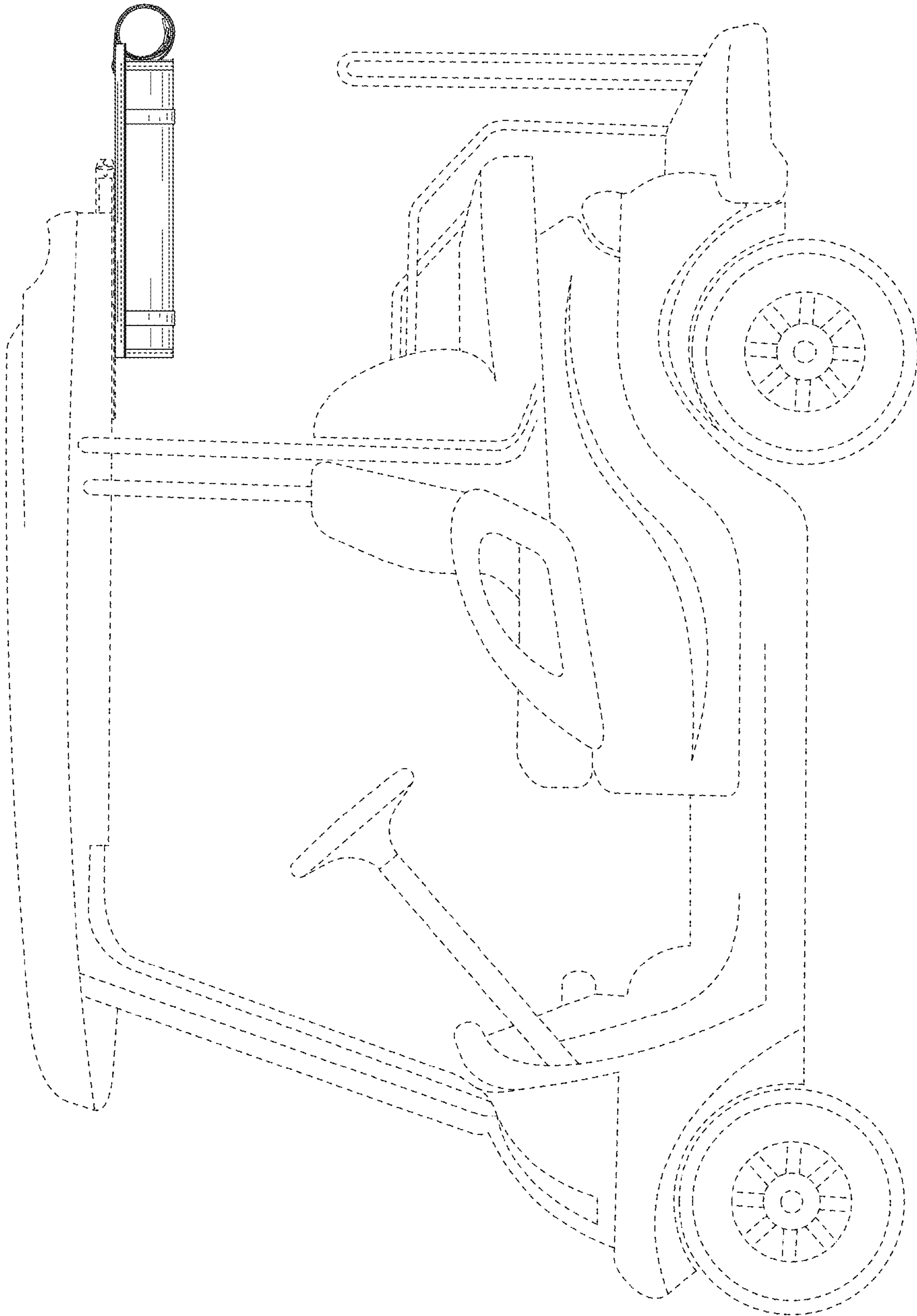


FIG. 6

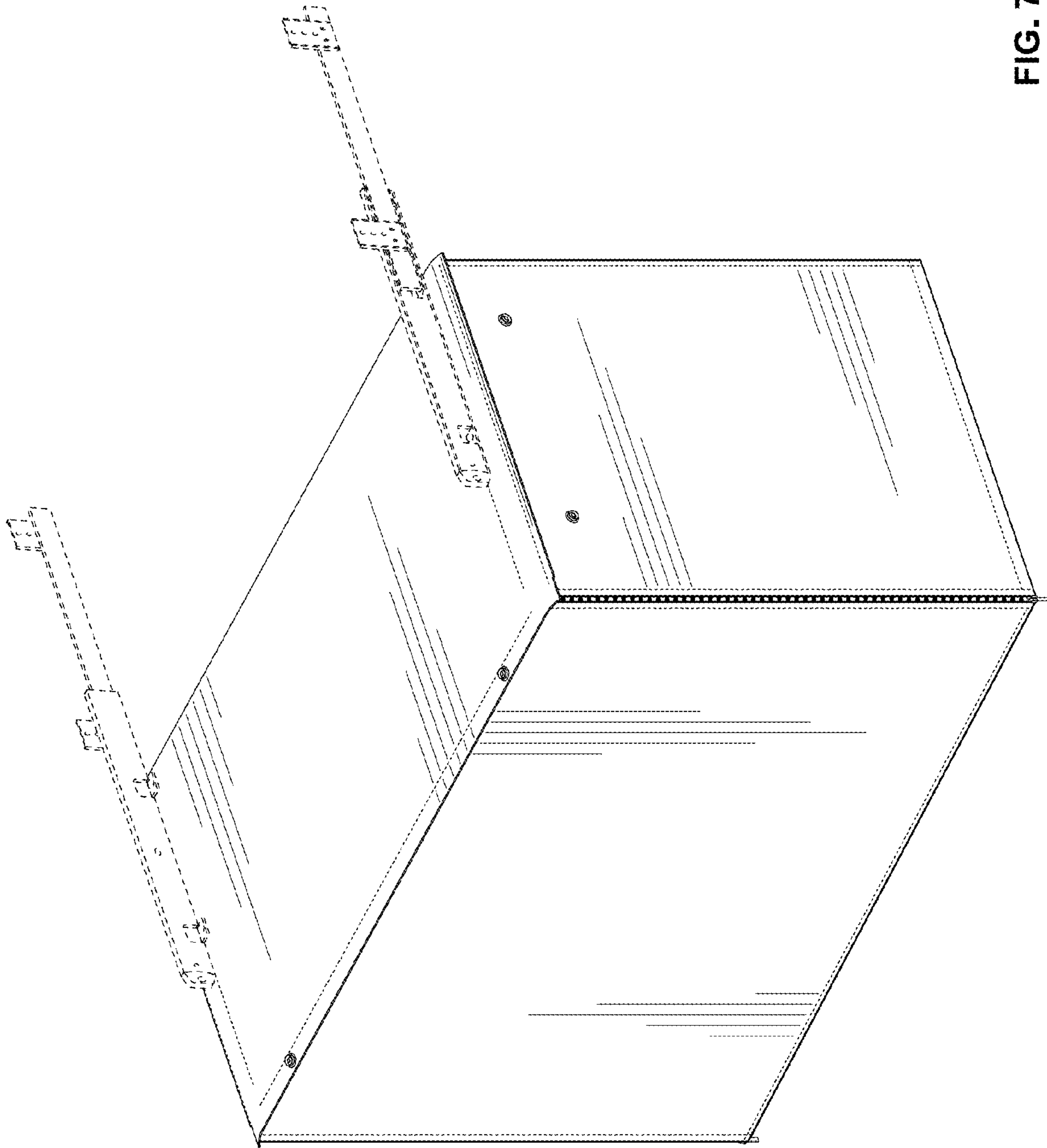


FIG. 7

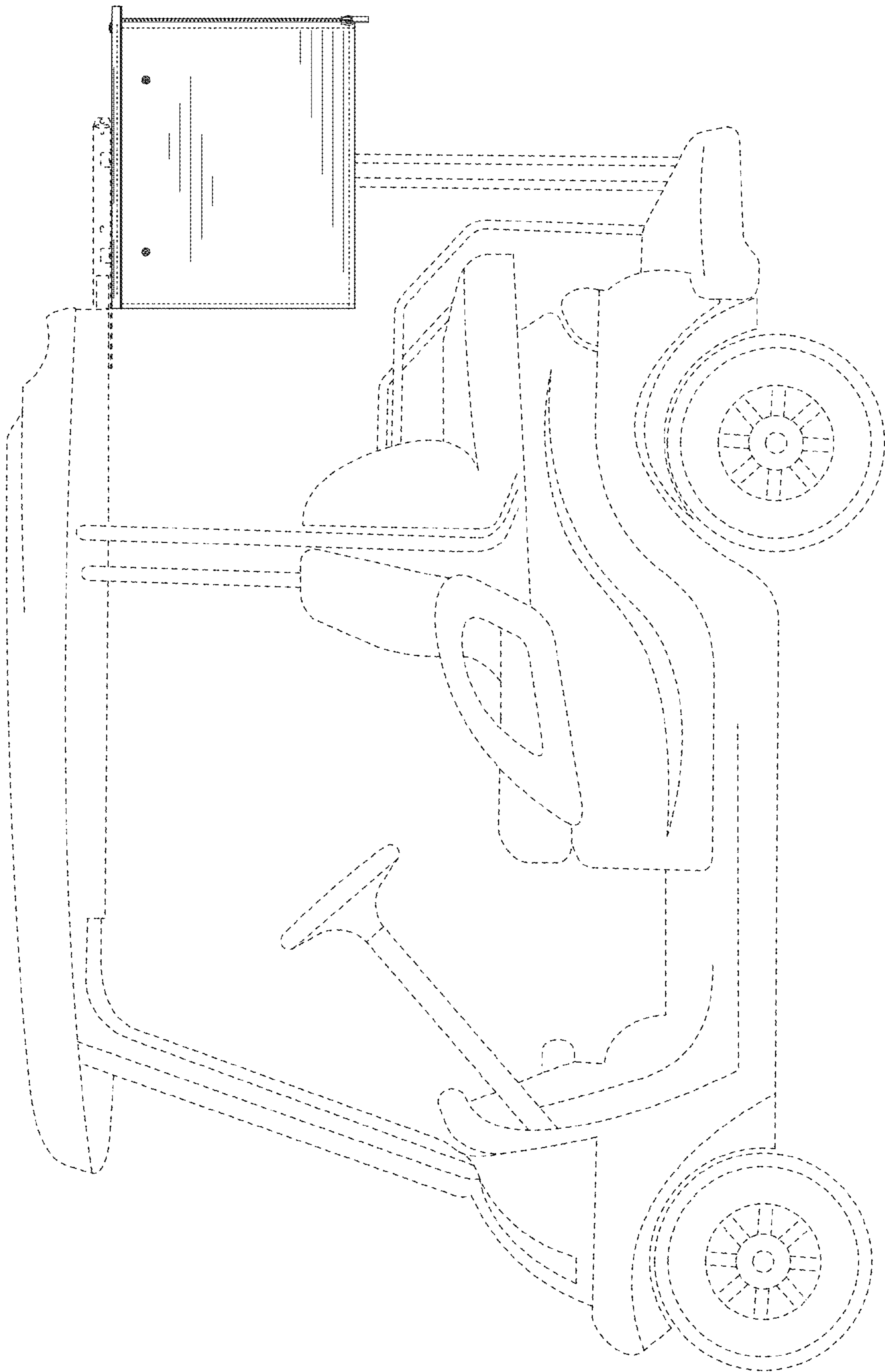


FIG. 8