



US00D929303S

(12) **United States Design Patent** (10) **Patent No.:** **US D929,303 S**
deGraaff (45) **Date of Patent:** **** Aug. 31, 2021**

(54) **AIRCRAFT**

(71) Applicant: **GKN Aerospace Services Limited,**
Solihull (GB)

(72) Inventor: **Arent-Jan deGraaff,** Papendrecht (NL)

(73) Assignee: **GKN Aerospace Services Limited,**
Solihull (GB)

(**) Term: **15 Years**

(21) Appl. No.: **29/720,494**

(22) Filed: **Jan. 14, 2020**

(30) **Foreign Application Priority Data**

Jul. 18, 2019 (EM) 006634051-0001
Jul. 18, 2019 (EM) 006634051-0002

(51) **LOC (13) Cl.** **12-02**

(52) **U.S. Cl.**
USPC **D12/328**

(58) **Field of Classification Search**
USPC D12/1, 2, 3, 4, 16.1, 174, 319-345;
D21/436-455; D13/109
CPC B64C 29/0033; B64C 2201/021; B64C
29/02; B64C 2201/088; B64C 2201/104;
B64C 2201/141
See application file for complete search history.

(56) **References Cited**

U.S. PATENT DOCUMENTS

4,146,199 A * 3/1979 Wenzel B64C 39/068
244/36
D304,821 S * 11/1989 Ratony D12/331

D724,001 S * 3/2015 Garreau D12/331
D808,329 S * 1/2018 Parks D12/328
D817,812 S * 5/2018 Whitten, Jr. D12/16.1
2019/0144107 A1 * 5/2019 Rudraswamy B64C 27/26
244/7 A
2020/0010209 A1 * 1/2020 Bender H01M 10/613
2020/0354049 A1 * 11/2020 Noppel B64D 31/14

OTHER PUBLICATIONS

“Closed wing tiltrotor aircraft downsized for the UAV market”—
article—[Aug. 30, 2017] found online [Dec. 3, 2020]—[https://
newatlas.com/converticopter-uav-vtol-aerospace/51128/](https://newatlas.com/converticopter-uav-vtol-aerospace/51128/).*

* cited by examiner

Primary Examiner — John A Voytek

(74) *Attorney, Agent, or Firm* — Bejin Bieneman PLC

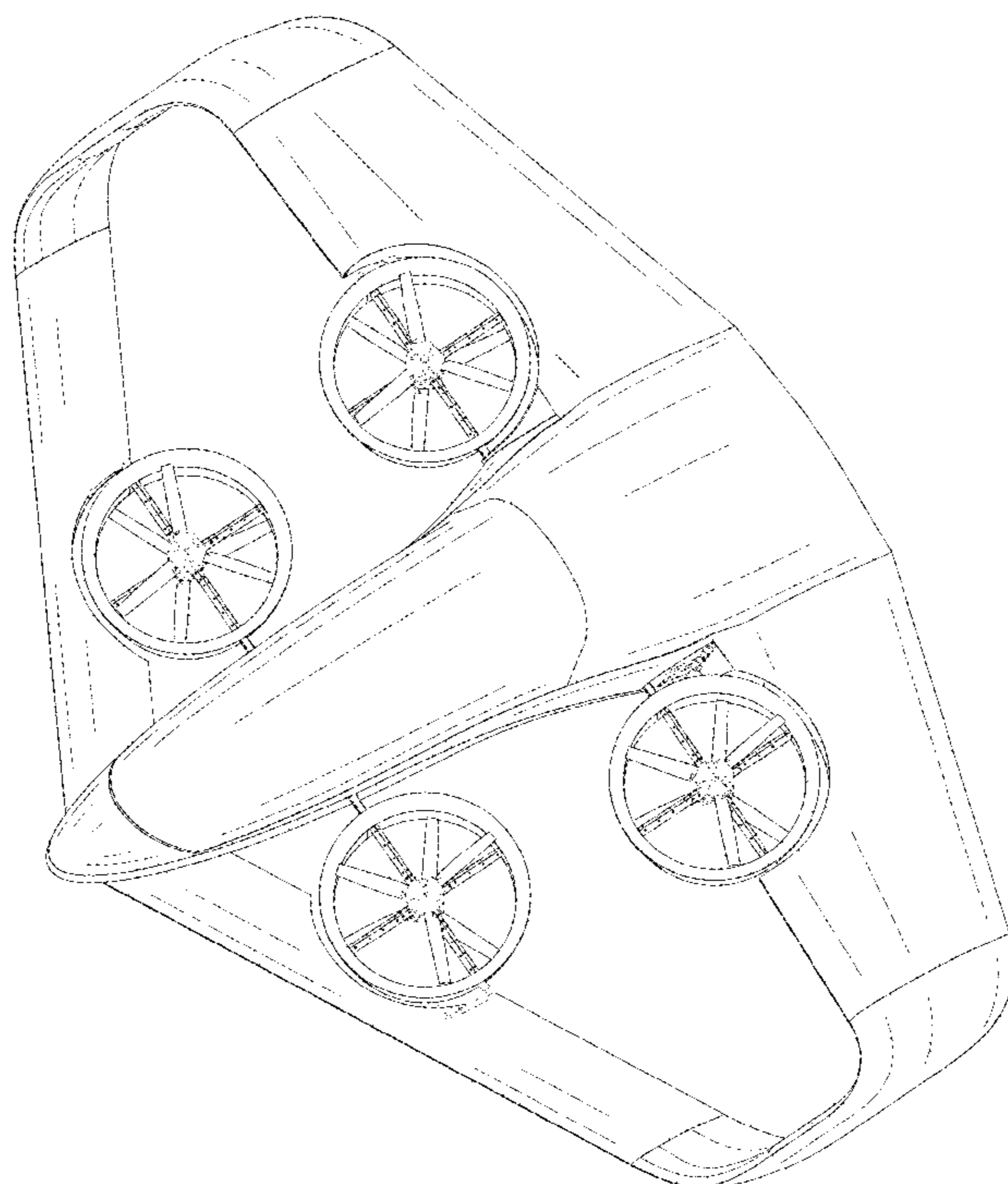
(57) **CLAIM**

I claim the ornamental design for an aircraft, as shown and
described.

DESCRIPTION

FIG. 1 is a perspective view of an aircraft; and
FIG. 2 is a front view of the aircraft.
FIG. 3 is a rear view of the aircraft.
FIG. 4 is a right-side view of the aircraft.
FIG. 5 is a left-side view of the aircraft.
FIG. 6 is a top view of the aircraft; and,
FIG. 7 is a bottom view of the aircraft.
In the drawings, the broken lines depict unclaimed portions
of the aircraft and form no part of the claimed invention.

1 Claim, 5 Drawing Sheets



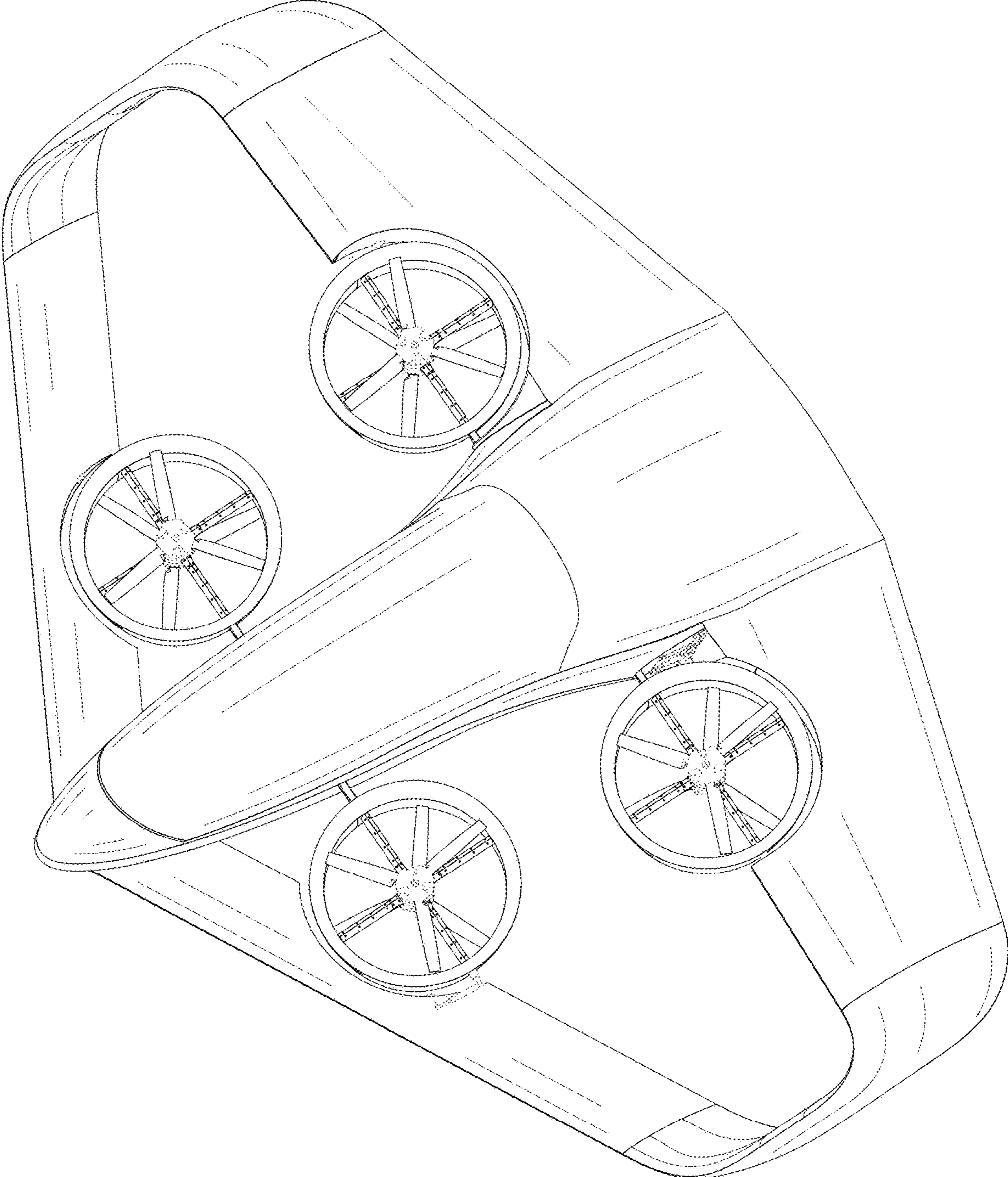


FIG. 1

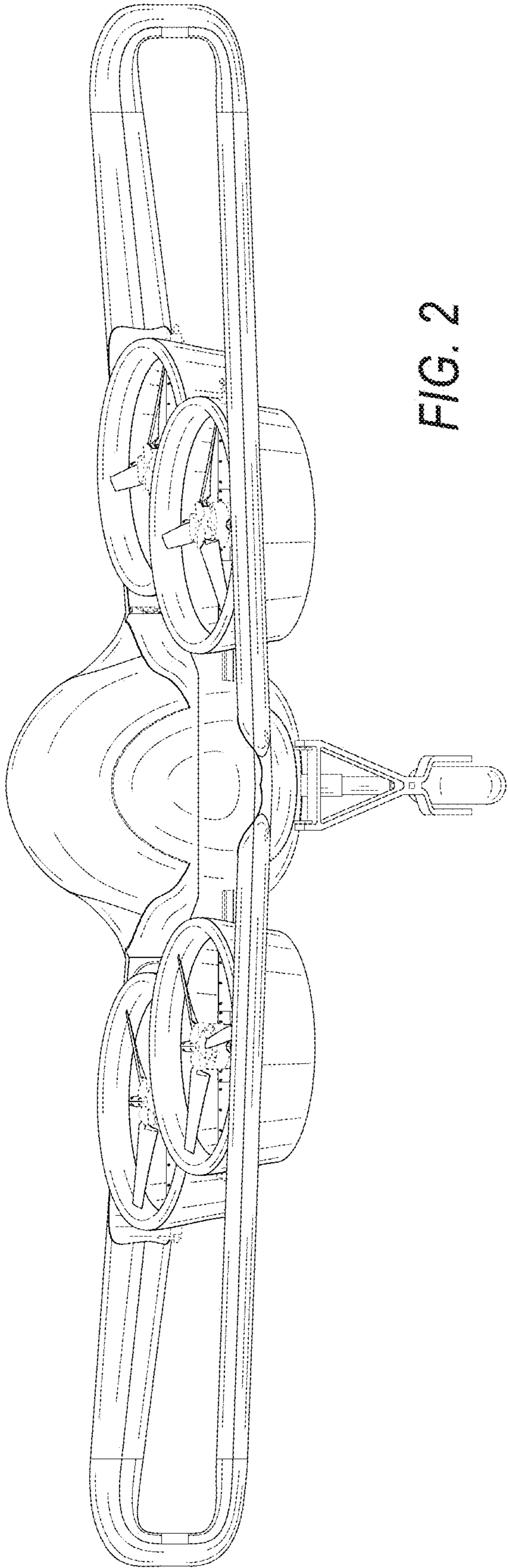


FIG. 2

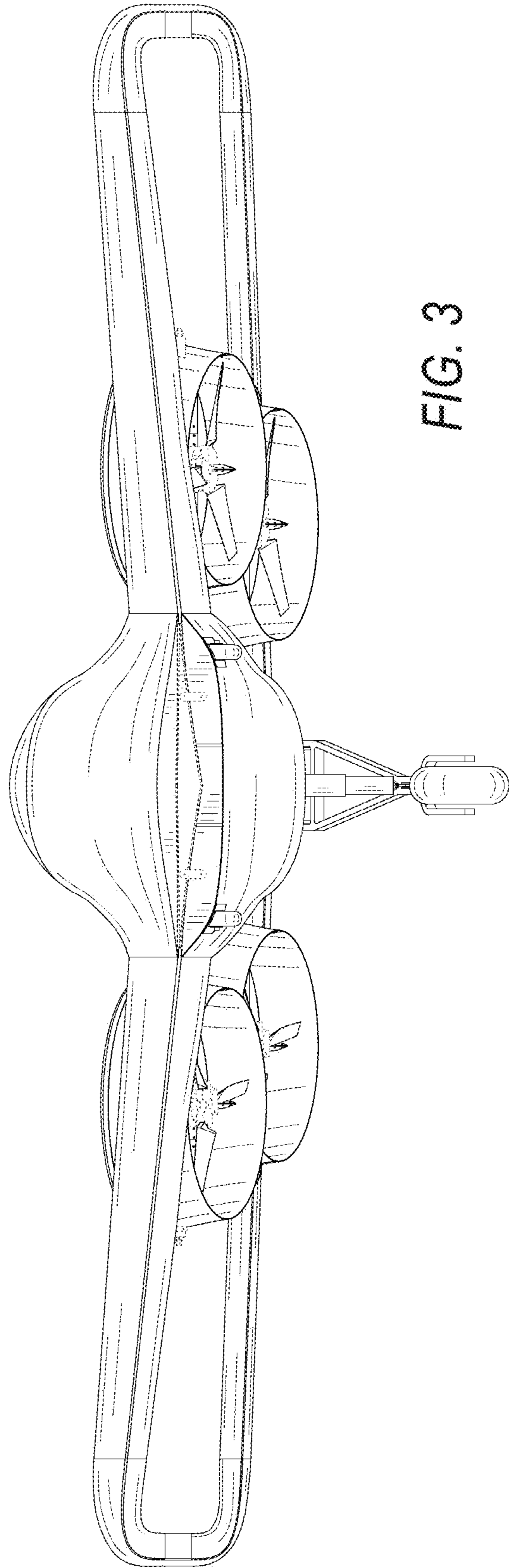


FIG. 3

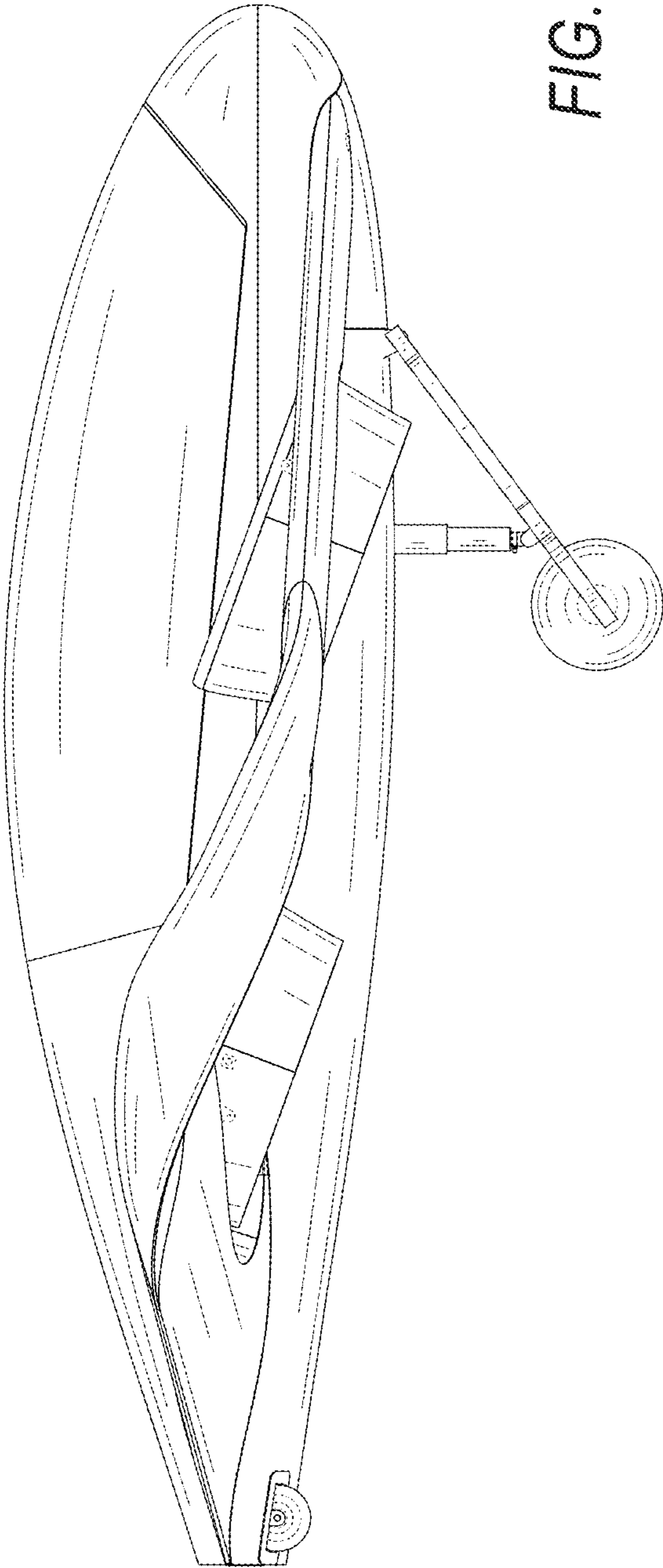


FIG. 4

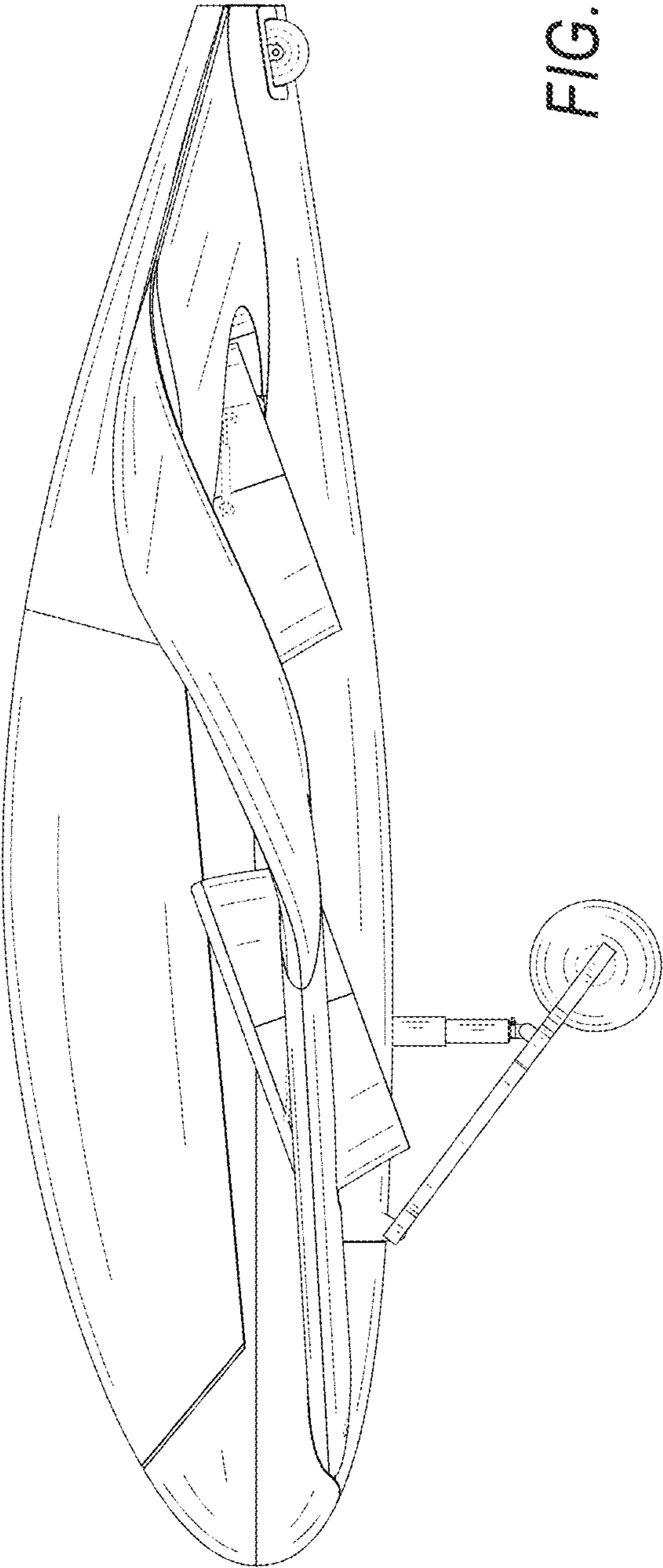


FIG. 5

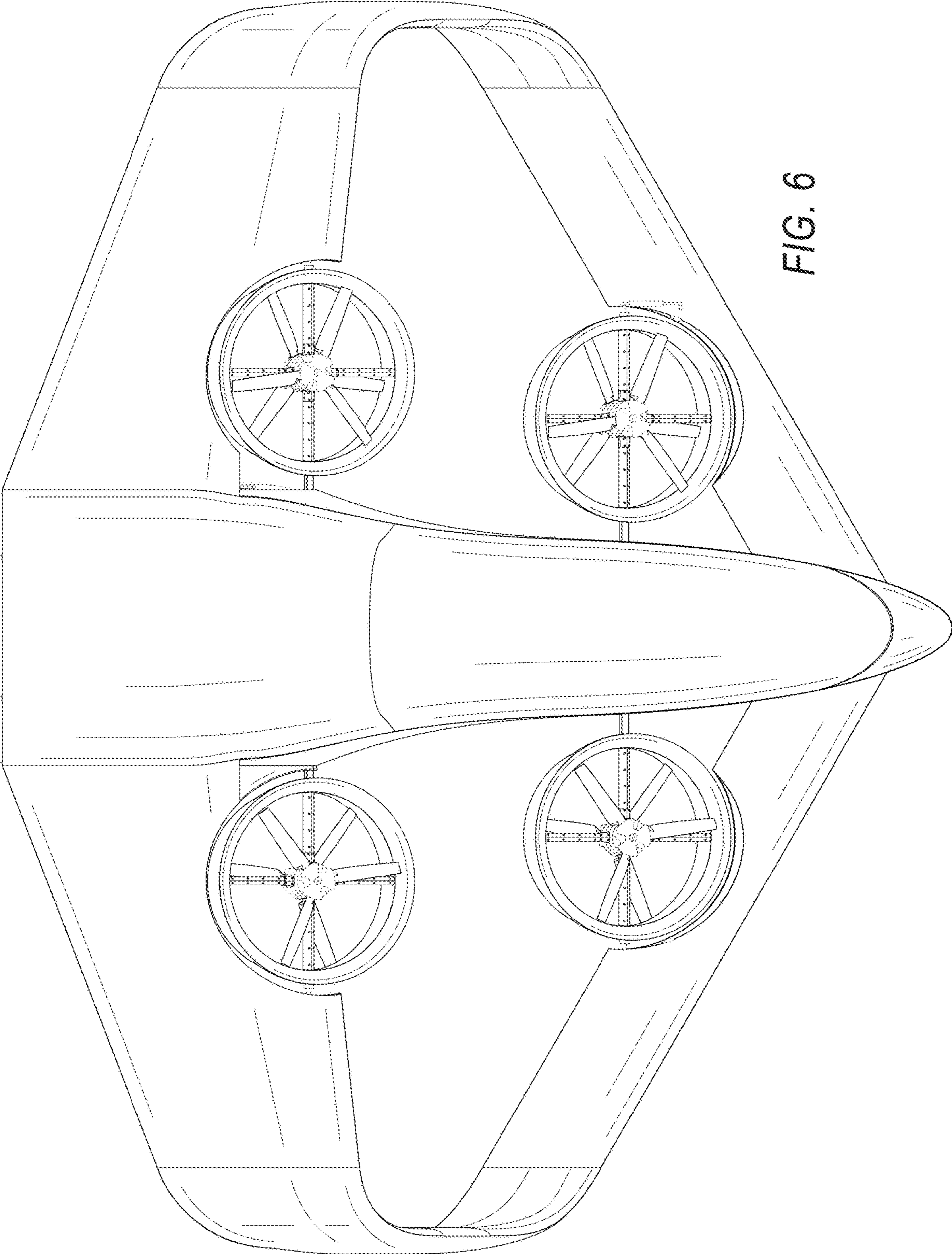


FIG. 6

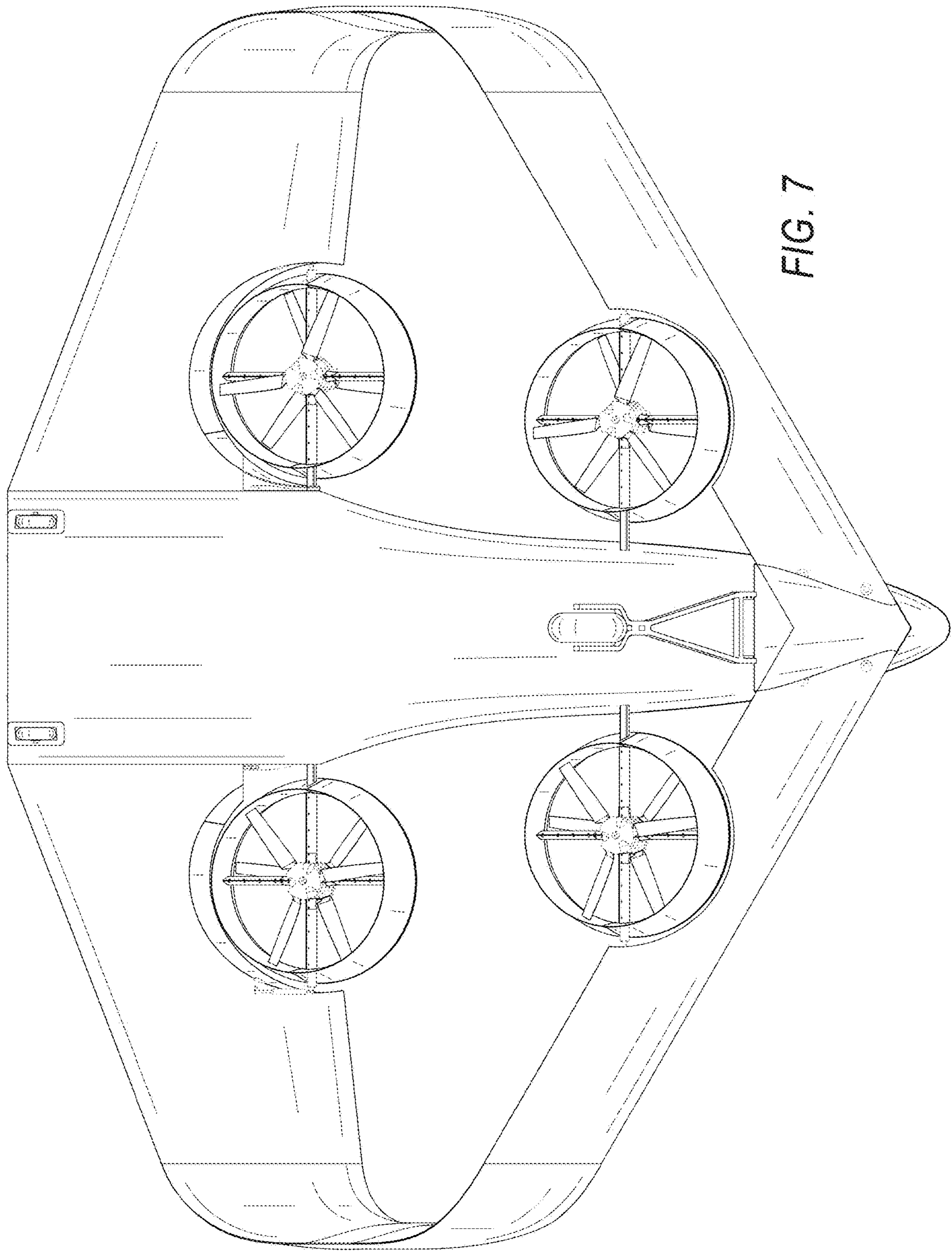


FIG. 7