



US00D929301S

(12) **United States Design Patent** (10) **Patent No.:** **US D929,301 S**  
**Lu** (45) **Date of Patent:** **\*\* Aug. 31, 2021**

(54) **UNDERWATER MOTIVE DEVICE**  
(71) Applicant: **ACADIA International INC.**, Taichung (TW)  
(72) Inventor: **Fa-Hsing Lu**, Taichung (TW)  
(73) Assignee: **ACADIA INTERNATIONAL INC.**, Taichung (TW)

10,071,289 B1 \* 9/2018 Robinson ..... B63C 11/46  
2004/0079272 A1 \* 4/2004 Mah ..... B63C 11/46  
114/315  
2005/0279271 A1 \* 12/2005 Mah ..... B63C 11/46  
114/315

(\*\*) Term: **15 Years**  
(21) Appl. No.: **29/712,417**  
(22) Filed: **Nov. 7, 2019**  
(51) **LOC (13) Cl.** ..... **12-06**  
(52) **U.S. Cl.**  
USPC ..... **D12/308**  
(58) **Field of Classification Search**  
USPC ..... D12/3, 214, 223, 300, 305, 308, 309,  
D12/316, 317, 400; D21/542, 545, 769,  
D21/770, 771, 801, 803, 804, 810  
CPC ... B63G 8/00; B63G 8/40; B63G 8/42; B63G  
8/46; B63G 8/001; B63G 8/002; B63G  
8/08; A63B 35/00; A63B 35/08; A63B  
35/10; A63B 35/12; B63B 32/10; B63C  
11/02; B63C 11/46; B63C 2011/028;  
B63H 7/02; B63H 21/17  
See application file for complete search history.

**FOREIGN PATENT DOCUMENTS**

DE 102008049857 A1 \* 4/2010 ..... B63C 11/46  
JP 2008260467 A \* 10/2008 ..... B63C 11/46

**OTHER PUBLICATIONS**

Action Wheels, Published date unavailable [online], [retrieved on Feb. 21, 2021]. Retrieved from the Internet: <https://www.walmart.com/ip/Action-Wheels-12-Volt-Seascooter-Exciting-New-Wal-Mart-Exclusive-Battery-Powered-Ride-On-Water-Toy/945884402> (Year: 2021).\*

\* cited by examiner

*Primary Examiner* — Christian P. McLean  
*Assistant Examiner* — Adam C Mager  
(74) *Attorney, Agent, or Firm* — Chun-Ming Shih; HDLS IPR Services

(57) **CLAIM**

The ornamental design for an underwater motive device, as shown and described.

**DESCRIPTION**

FIG. 1 is a perspective view of an underwater motive device showing my new design; FIG. 2 is a right side view thereof; FIG. 3 is a left side view thereof; FIG. 4 is a top view thereof; and FIG. 5 is a bottom view thereof; FIG. 6 is a front view thereof; and, FIG. 7 is a rear view thereof. The portions of the article shown in broken lines form no part of the claimed design.

**1 Claim, 7 Drawing Sheets**

(56) **References Cited**

**U.S. PATENT DOCUMENTS**

4,864,959 A \* 9/1989 Takamizawa ..... A63B 35/12  
114/315  
5,509,372 A \* 4/1996 Culotta ..... B63C 11/46  
114/315  
D471,506 S \* 3/2003 Mah ..... D12/308  
D506,176 S \* 6/2005 Mah ..... D12/308  
D507,776 S \* 7/2005 Mah ..... D12/308  
D512,678 S \* 12/2005 Mah ..... D12/308  
D518,768 S \* 4/2006 Mah ..... D12/317  
D527,702 S \* 9/2006 Mah ..... D12/308  
D643,084 S \* 8/2011 White ..... D21/806

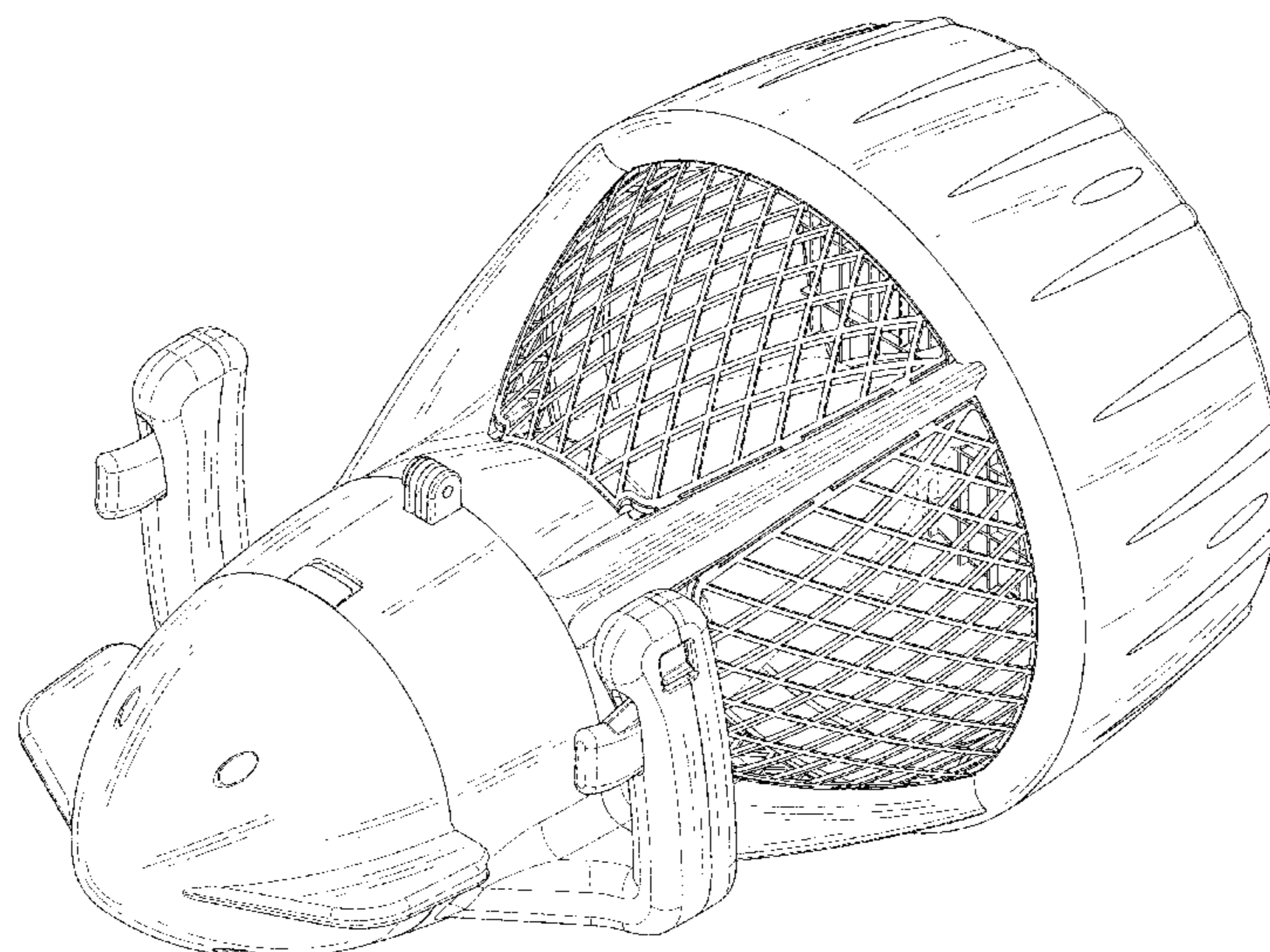
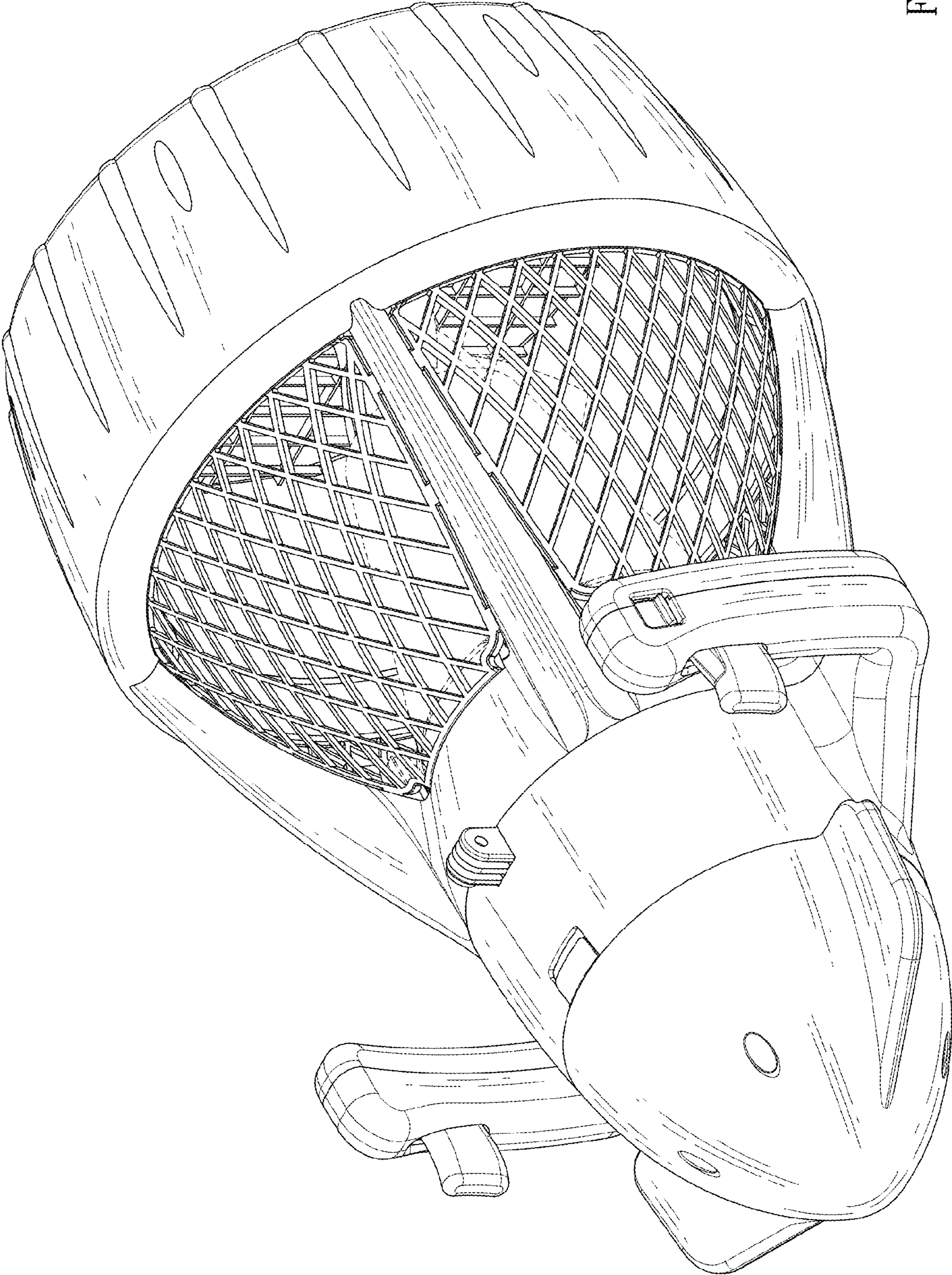


FIG. 1



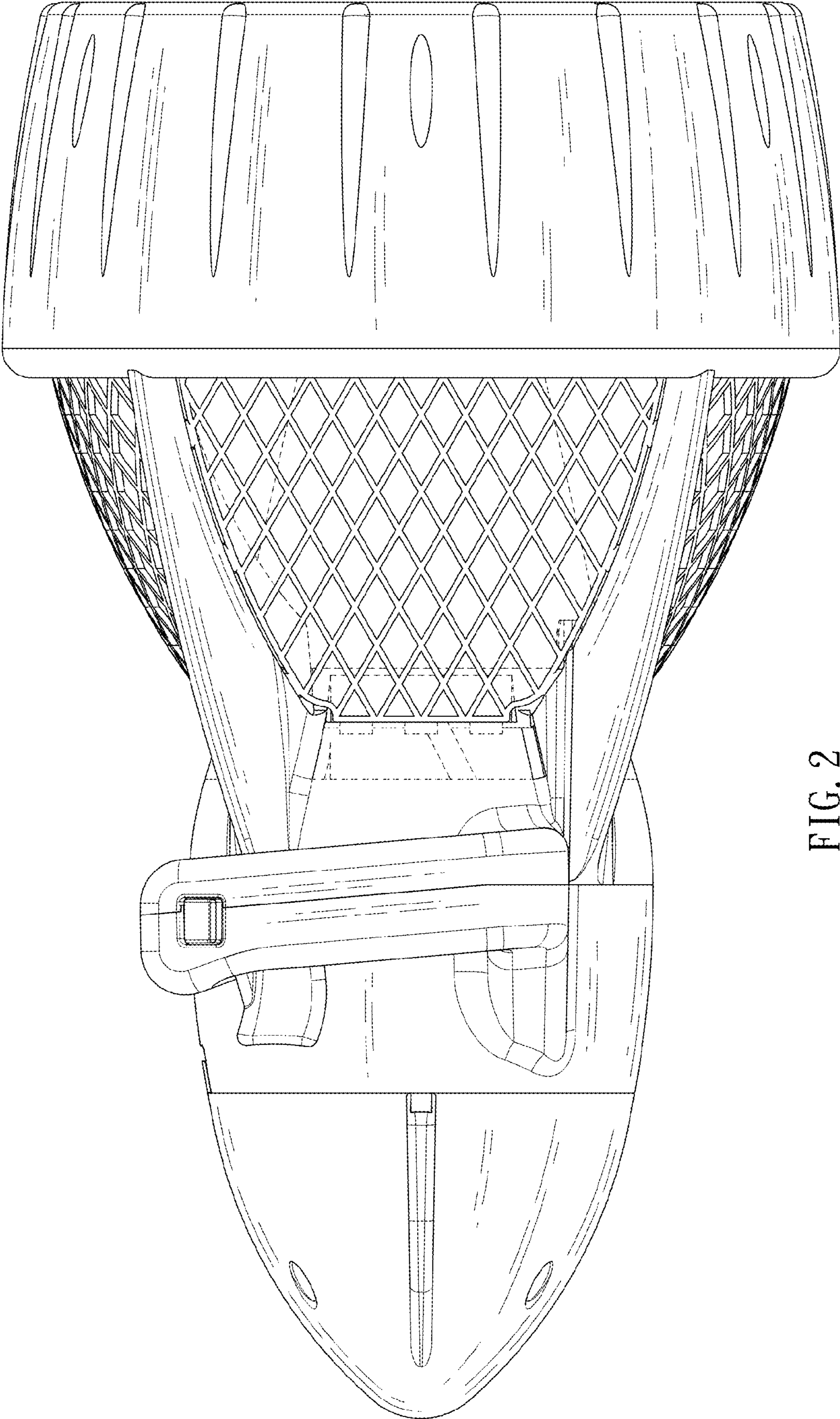


FIG. 2

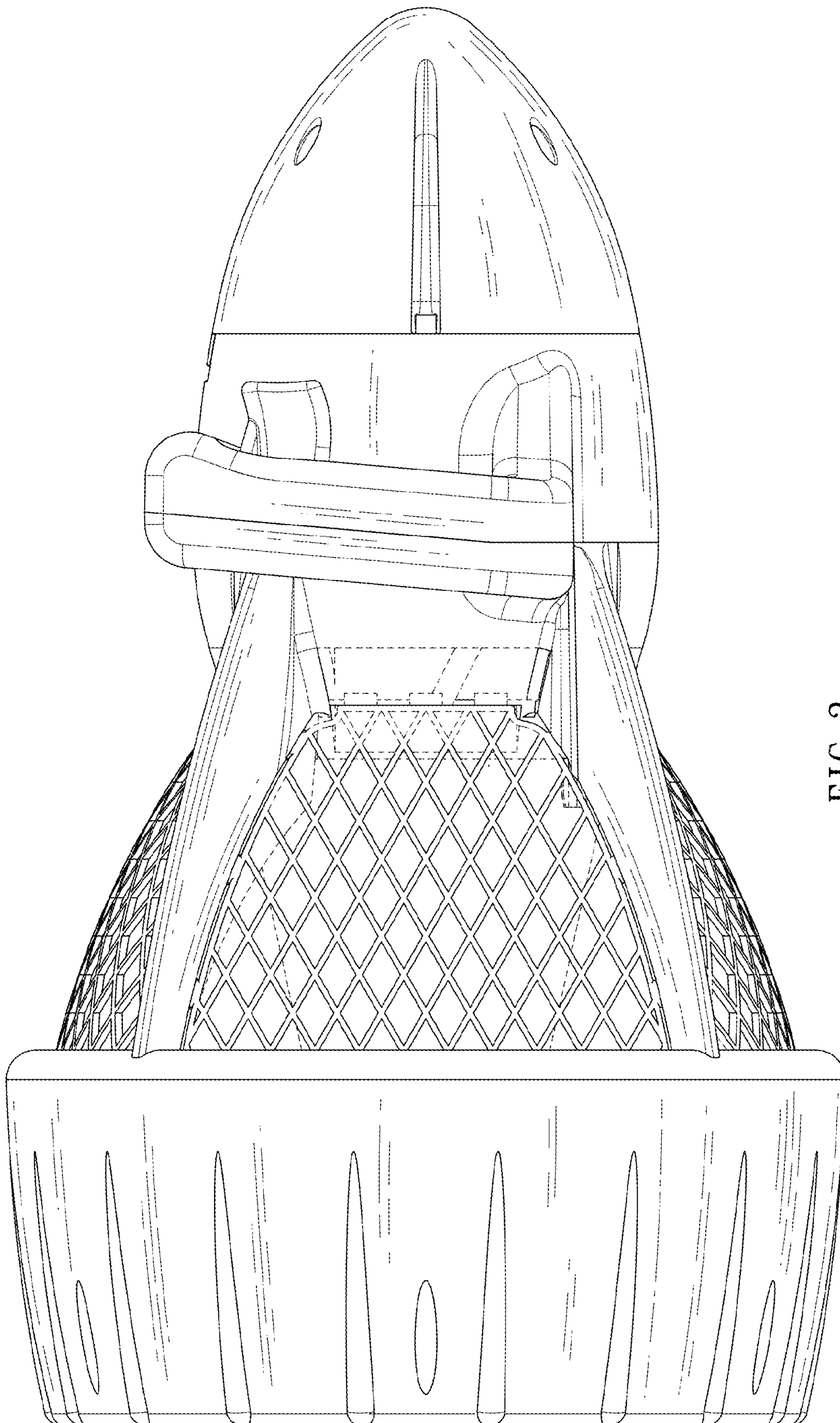


FIG. 3

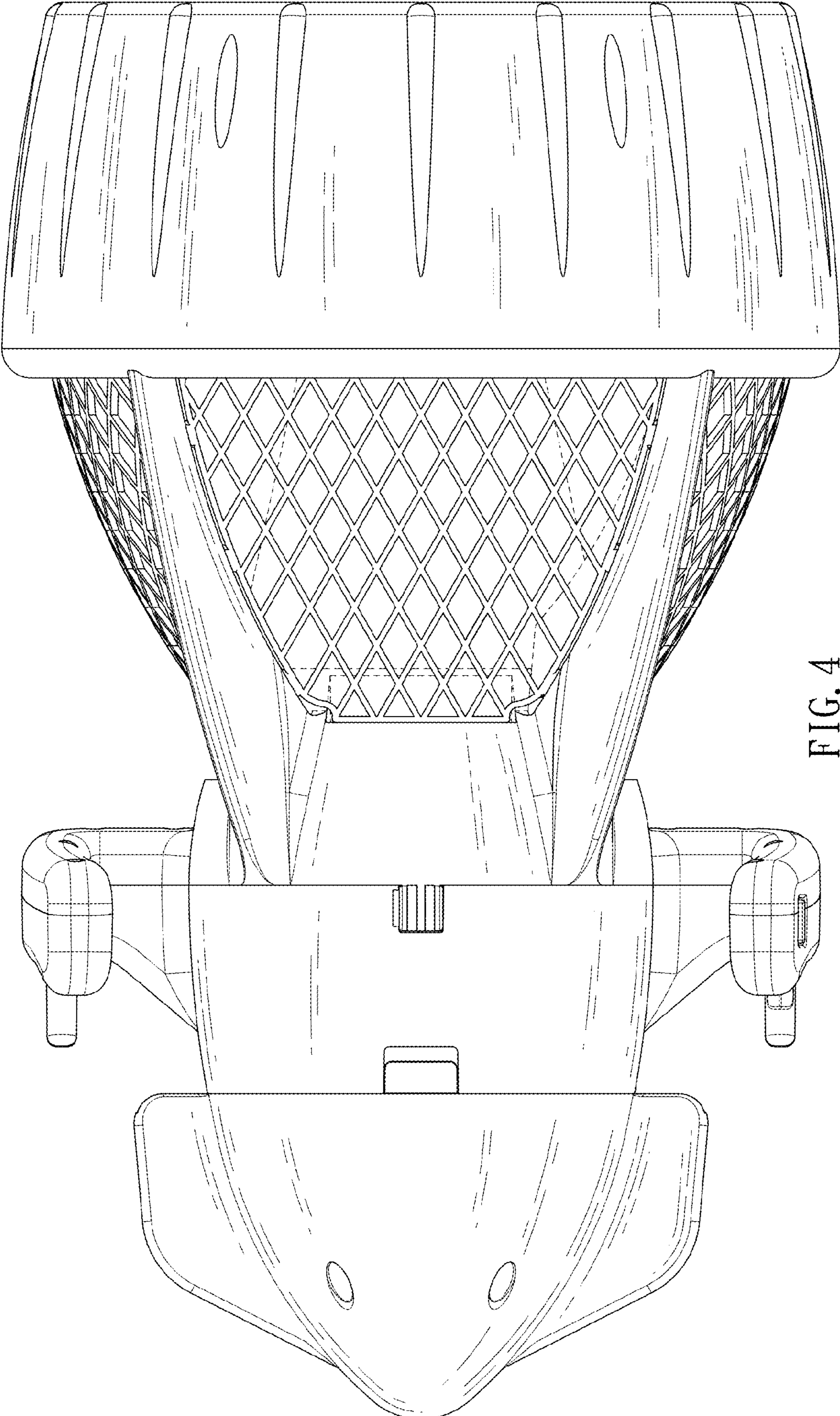


FIG. 4

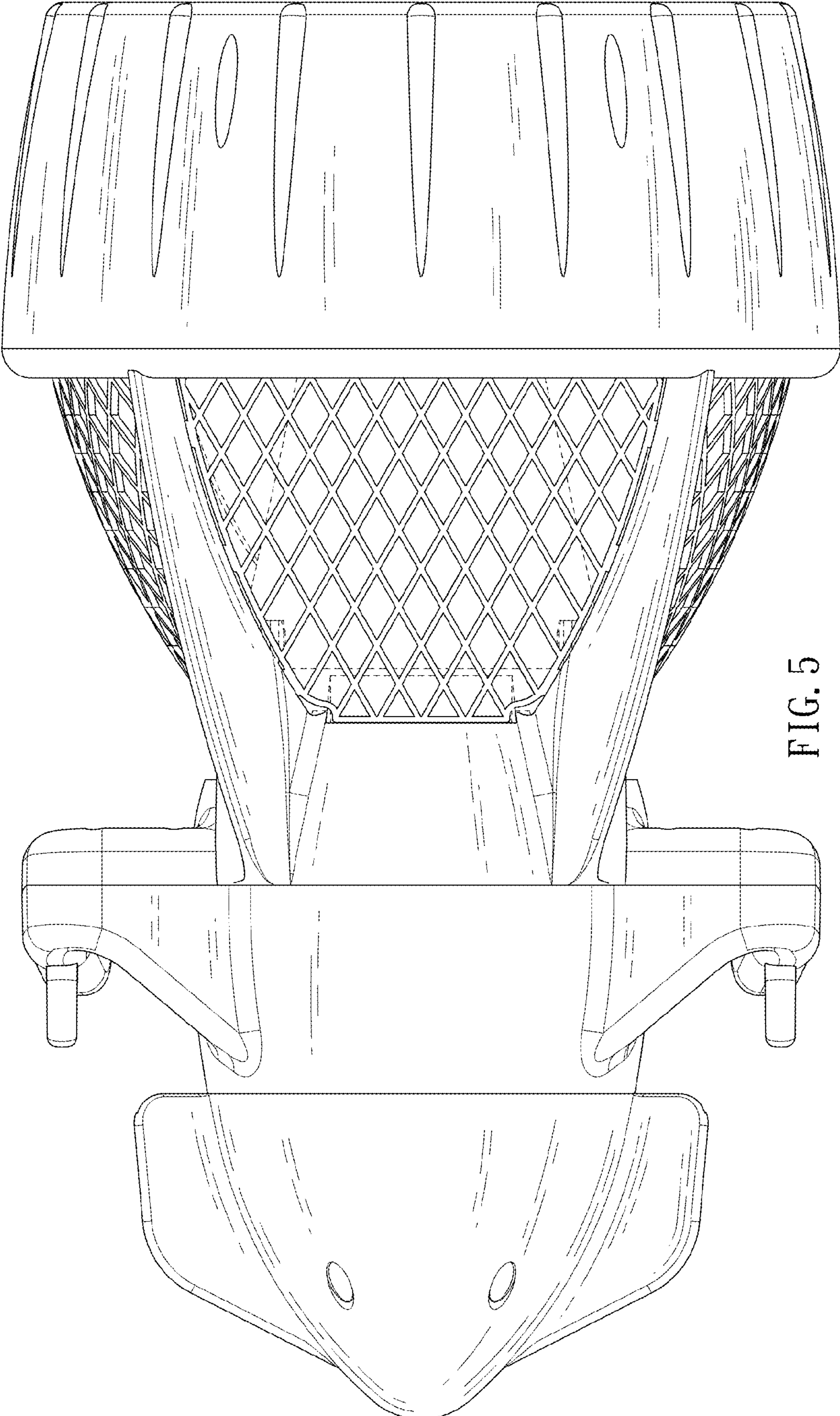


FIG. 5

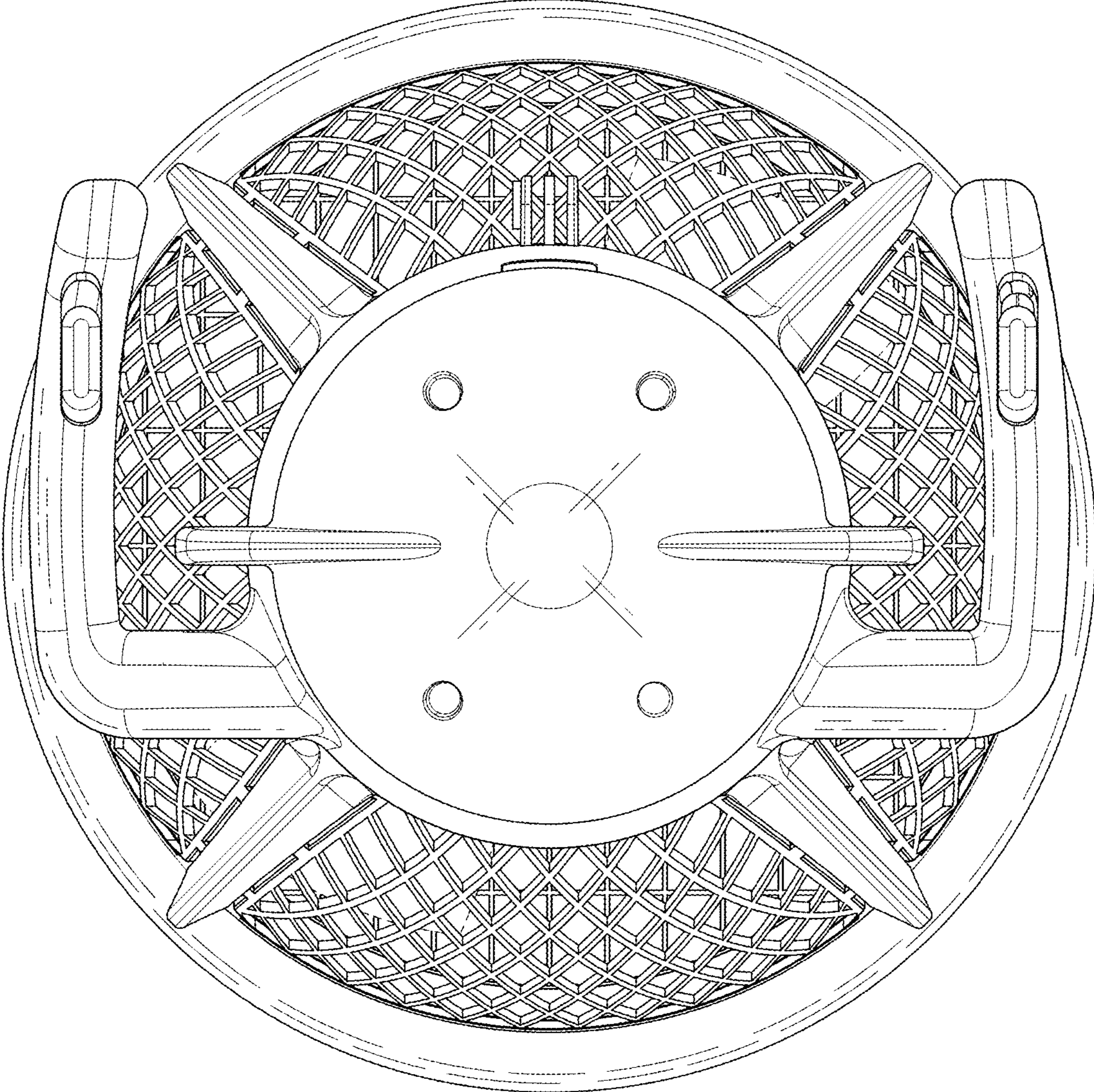


FIG. 6

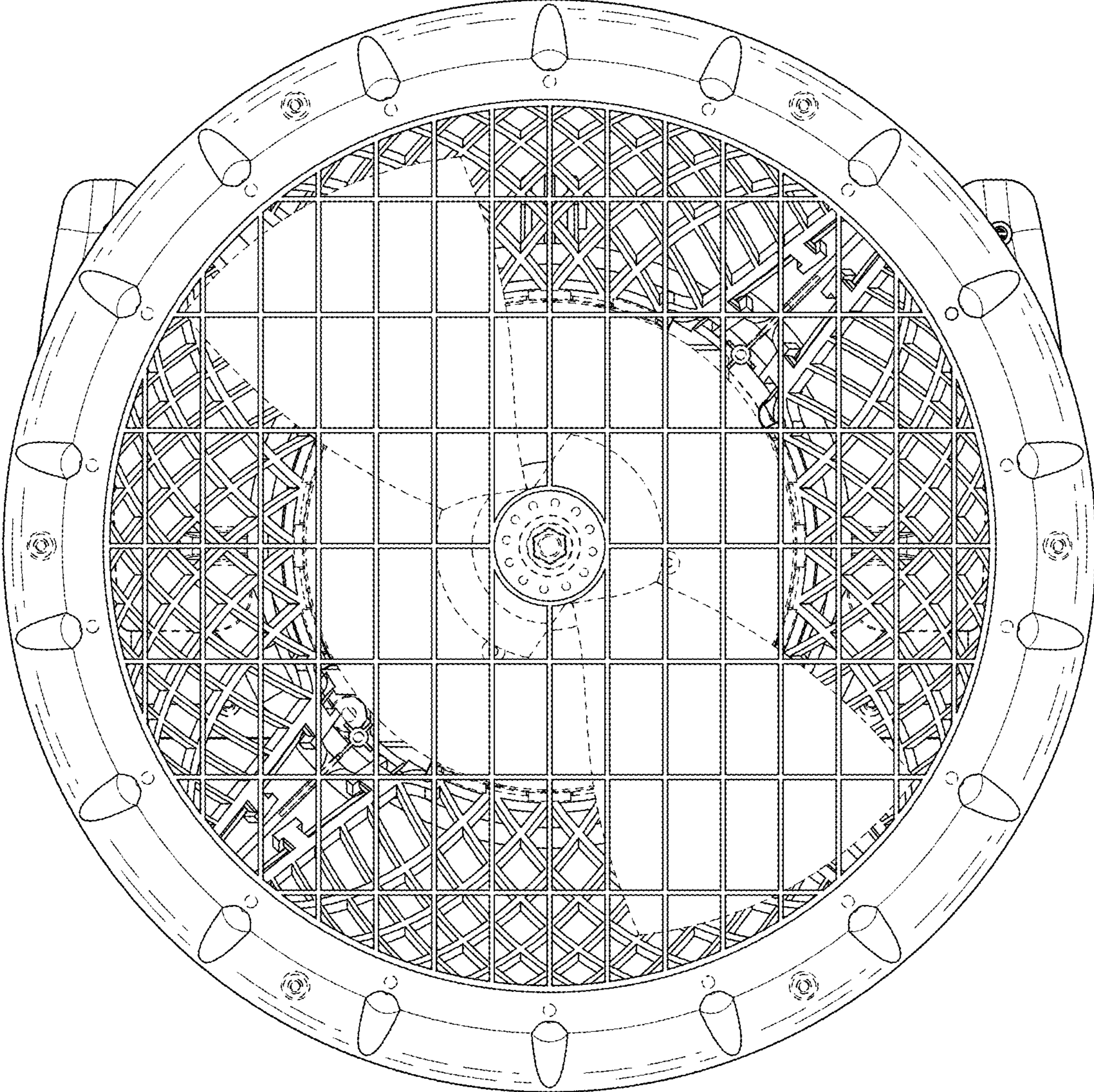


FIG. 7