



US00D929299S

(12) **United States Design Patent**
Belousov et al.

(10) **Patent No.:** **US D929,299 S**

(45) **Date of Patent:** **** *Aug. 31, 2021**

(54) **WHEEL FLANGE**

(71) Applicant: **Arconic Inc.**, Pittsburgh, PA (US)

(72) Inventors: **Igor Belousov**, Parma Heights, OH (US); **Santosh Prasad**, Murrysville, PA (US); **Gabriele F. Ciccola**, Hudson, OH (US); **Henry Sklyut**, Delmont, PA (US); **Anton J. Rovito**, Parma, OH (US); **Grant DeGeorge**, Strongsville, OH (US); **Erin Fulton**, Irwin, PA (US); **Michael A. Pacek**, Freeport, PA (US)

(73) Assignee: **HOWMET AEROSPACE INC.**, Pittsburgh, PA (US)

(*) Notice: This patent is subject to a terminal disclaimer.

(**) Term: **15 Years**

(21) Appl. No.: **29/653,944**

(22) Filed: **Jun. 20, 2018**

(51) **LOC (13) Cl.** **12-16**

(52) **U.S. Cl.**
USPC **D12/213**

(58) **Field of Classification Search**
USPC D12/204–213; D21/563
CPC B60B 7/00; B60B 7/02; B60B 7/04; B60B 7/01; B60B 7/06; B60B 3/02; B60B 3/04; B60B 3/06; B60B 3/10; B60B 1/00; B60B 1/08; B60B 1/10; B60B 1/12
See application file for complete search history.

(56) **References Cited**

U.S. PATENT DOCUMENTS

D327,466 S * 6/1992 Lipper D12/210
D492,923 S * 7/2004 Whitehead D12/204
D504,378 S * 4/2005 Grossenbacher D12/209

D519,433 S * 4/2006 Finn D12/210
D527,324 S * 8/2006 Whitehead D12/204
D598,835 S * 8/2009 DeGeorge D12/209

(Continued)

FOREIGN PATENT DOCUMENTS

JP 1621978 S 1/2019

OTHER PUBLICATIONS

Design U.S. Appl. No. 29/631,254, filed Dec. 28, 2017, entitled “Wheel Having Scalloped Flange”.

(Continued)

Primary Examiner — Stacia A Cadmus

(74) *Attorney, Agent, or Firm* — Greenberg Traurig, LLP

(57) **CLAIM**

The ornamental design for a wheel flange, as shown and described.

DESCRIPTION

FIG. 1 is a front left perspective view of a wheel flange showing our new design;

FIG. 2 is a rear perspective view of the wheel flange shown in FIG. 1.

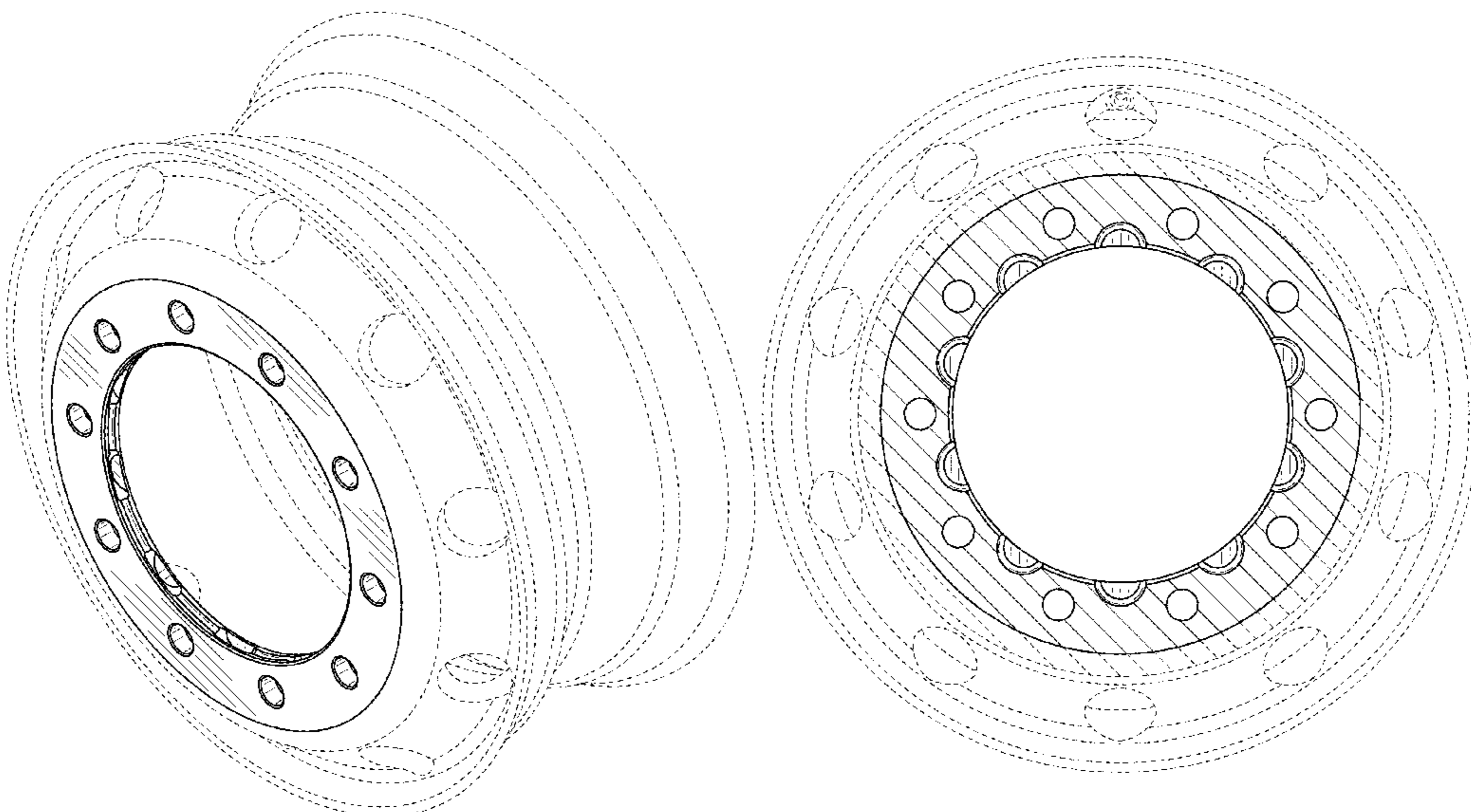
FIG. 3 is a front view of the wheel flange shown in FIG. 1; FIG. 4 is a rear view of the wheel flange shown in FIG. 1; FIG. 5 is a left view of the wheel flange shown in FIG. 1; FIG. 6 is a top view of the wheel flange shown in FIG. 1; FIG. 7 is a bottom view of the wheel flange shown in FIG. 1;

FIG. 8 is a cross-sectional view of the wheel flange shown in FIG. 1, for clarity of disclosure, taken at Line 8-8 shown in FIG. 5; and,

FIG. 9 is a cross-sectional view of the wheel flange shown in FIG. 1, for clarity of disclosure, taken at Line 9-9 shown in FIG. 6.

The broken lines are included to show features that form no part of the claimed design.

1 Claim, 9 Drawing Sheets



(56)

References Cited

U.S. PATENT DOCUMENTS

| | | | | |
|------------|---|---------|----------------|---------|
| D773,974 S | * | 12/2016 | DeGeorge | D12/208 |
| D810,645 S | | 2/2018 | Sklyut et al. | |
| D811,977 S | * | 3/2018 | Oscroft | D12/210 |
| D829,152 S | * | 9/2018 | Caldwell | D12/209 |
| D830,929 S | * | 10/2018 | Sklyut | D12/204 |
| D834,482 S | * | 11/2018 | Zehnder | D12/204 |
| D837,120 S | * | 1/2019 | Caldwell | D12/209 |
| D889,375 S | * | 7/2020 | Prasad | D12/213 |
| D889,376 S | * | 7/2020 | Prasad | D12/213 |

OTHER PUBLICATIONS

Design U.S. Appl. No. 29/631,442, filed Dec. 29, 2017, entitled "Wheel Having Internal Scalloped Groove".

Design U.S. Appl. No. 29/631,444, filed Dec. 29, 2017, entitled "Wheel Having Internal Groove".

Design U.S. Appl. No. 29/631,449, filed Dec. 29, 2017, entitled "Ribbed Wheel".

Design U.S. Appl. No. 29/631,455, filed Dec. 29, 2017, entitled "Ribbed Wheel".

Design U.S. Appl. No. 29/631,467, filed Dec. 29, 2017, entitled "Ribbed Wheel".

* cited by examiner

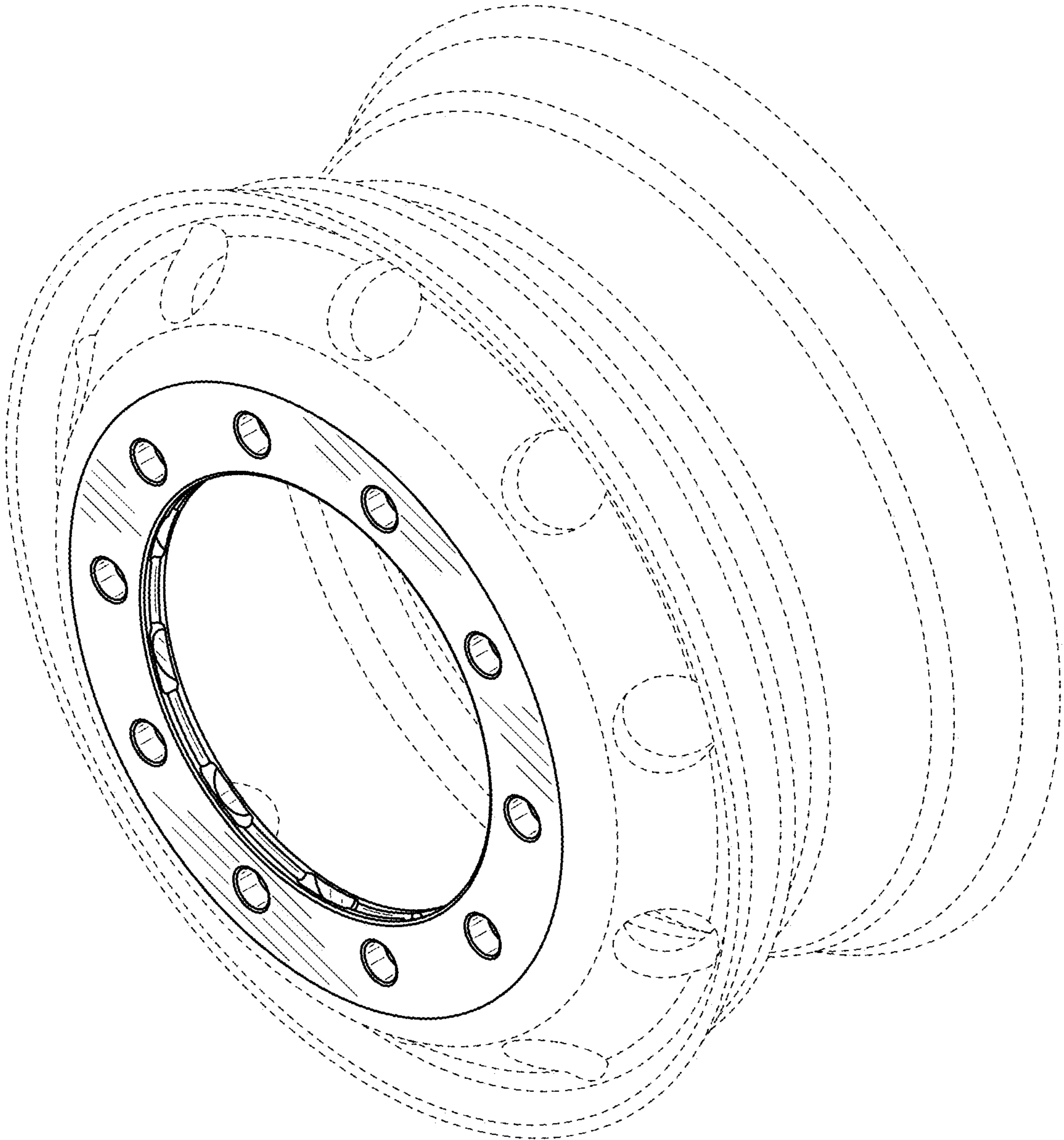


FIG. 1

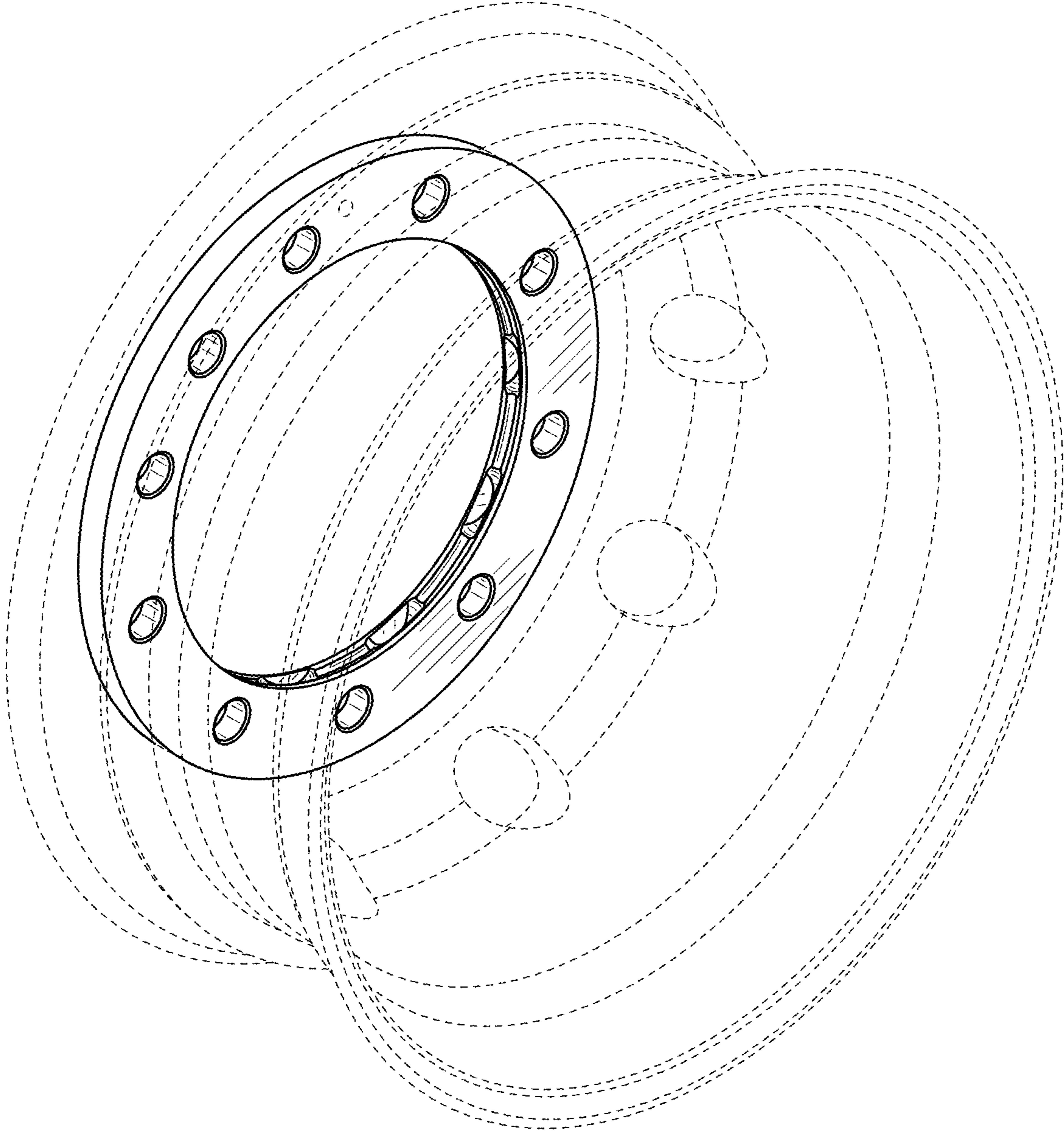


FIG. 2

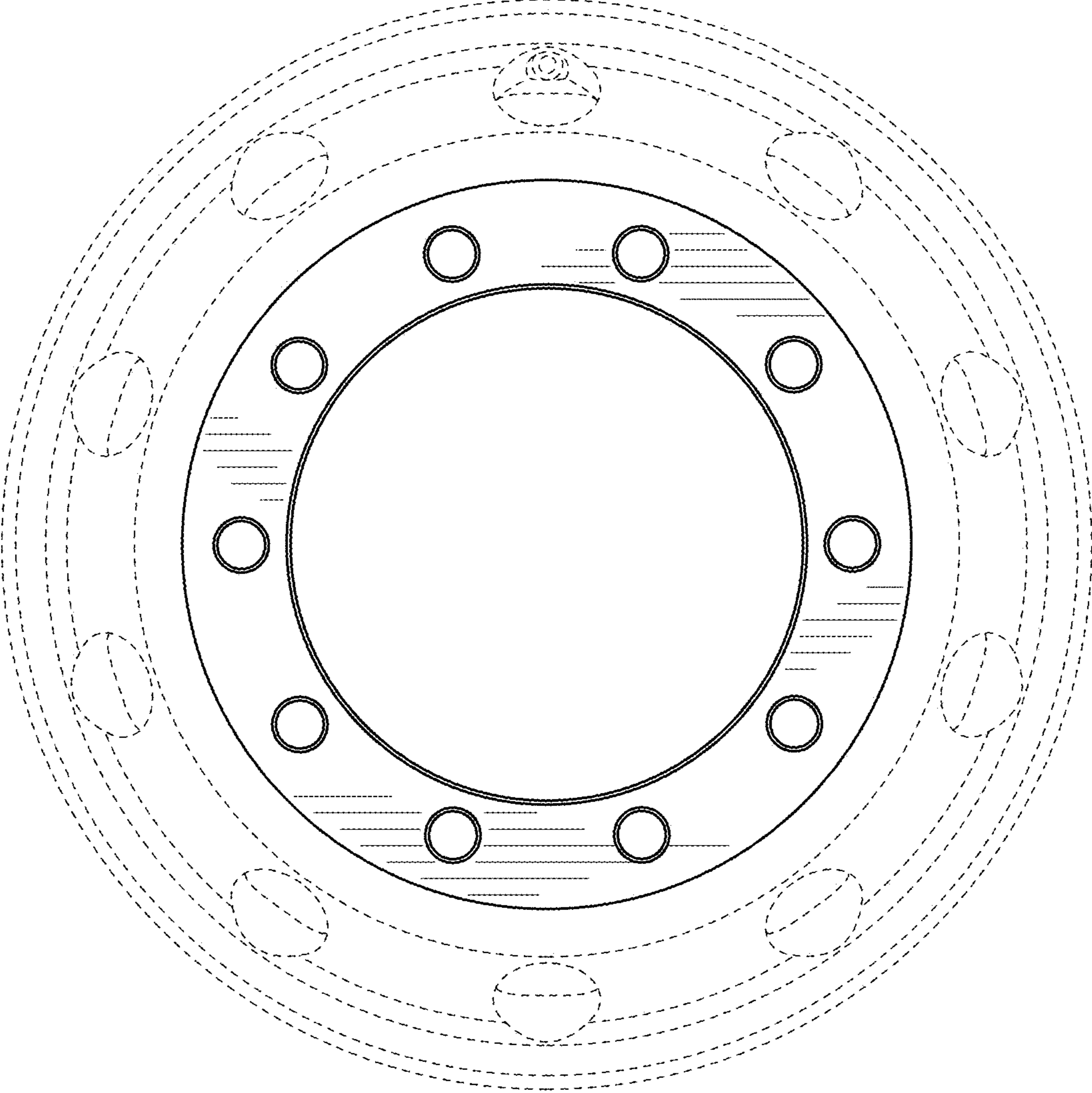


FIG. 3

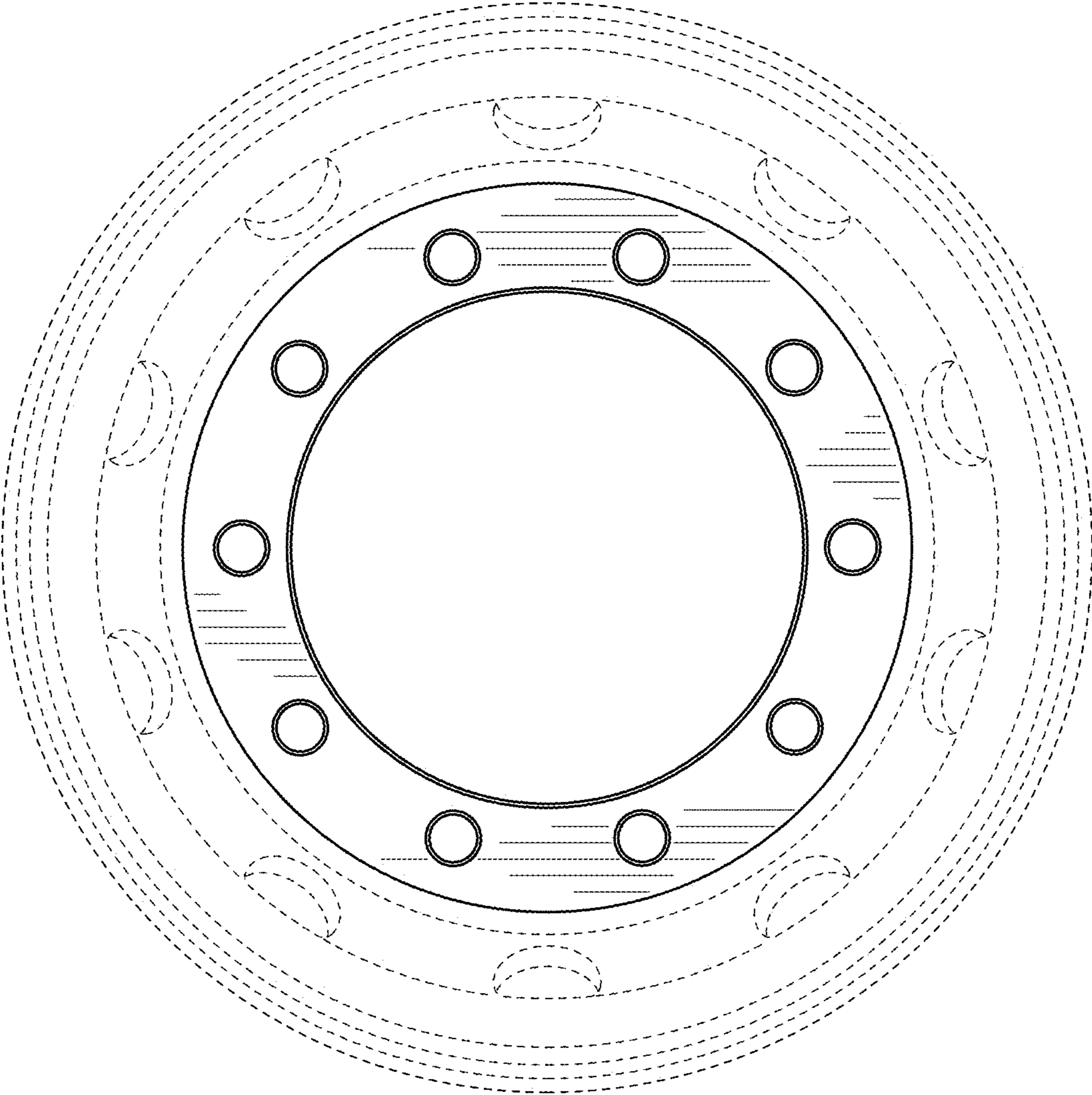


FIG. 4

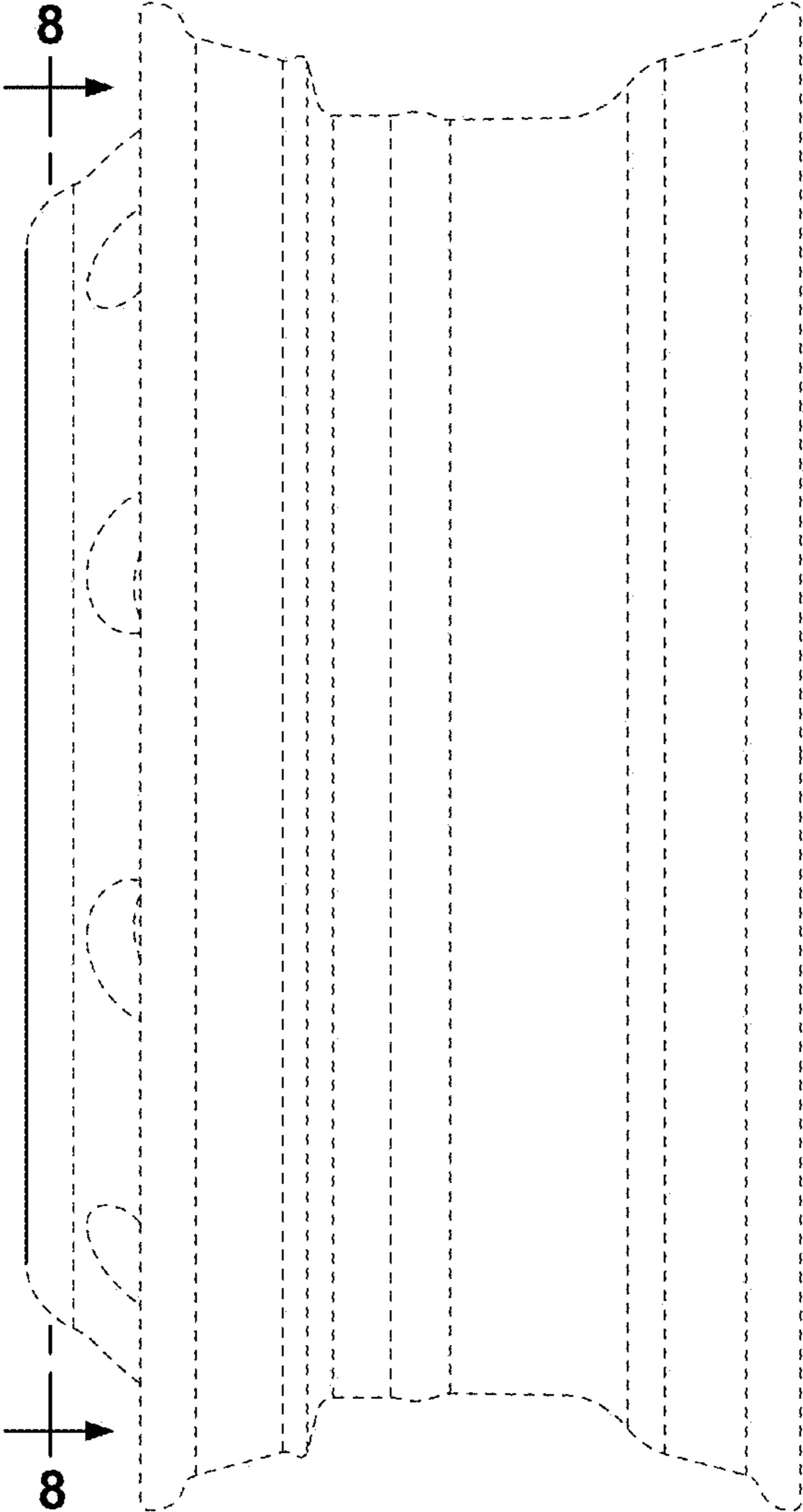


FIG. 5

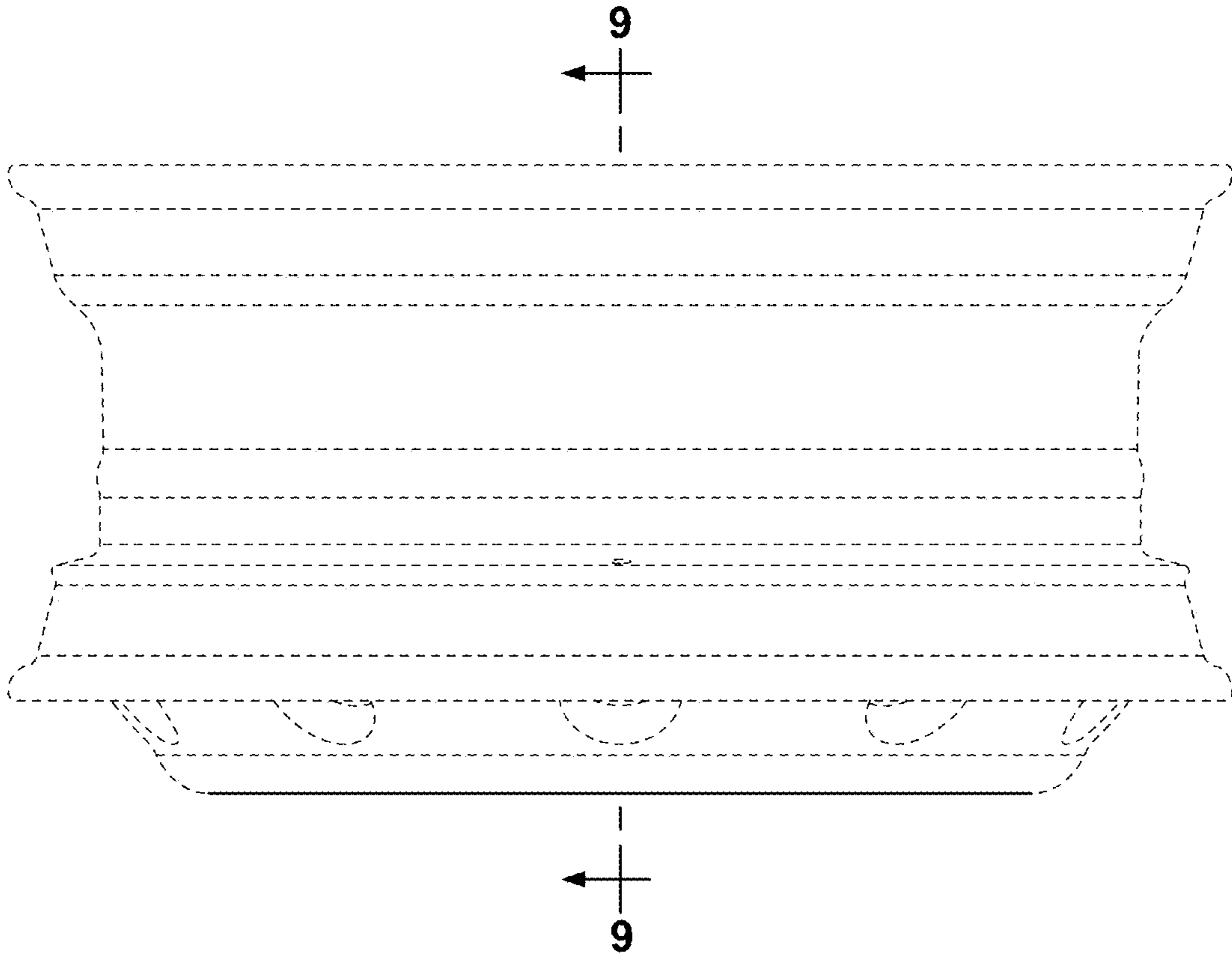


FIG. 6

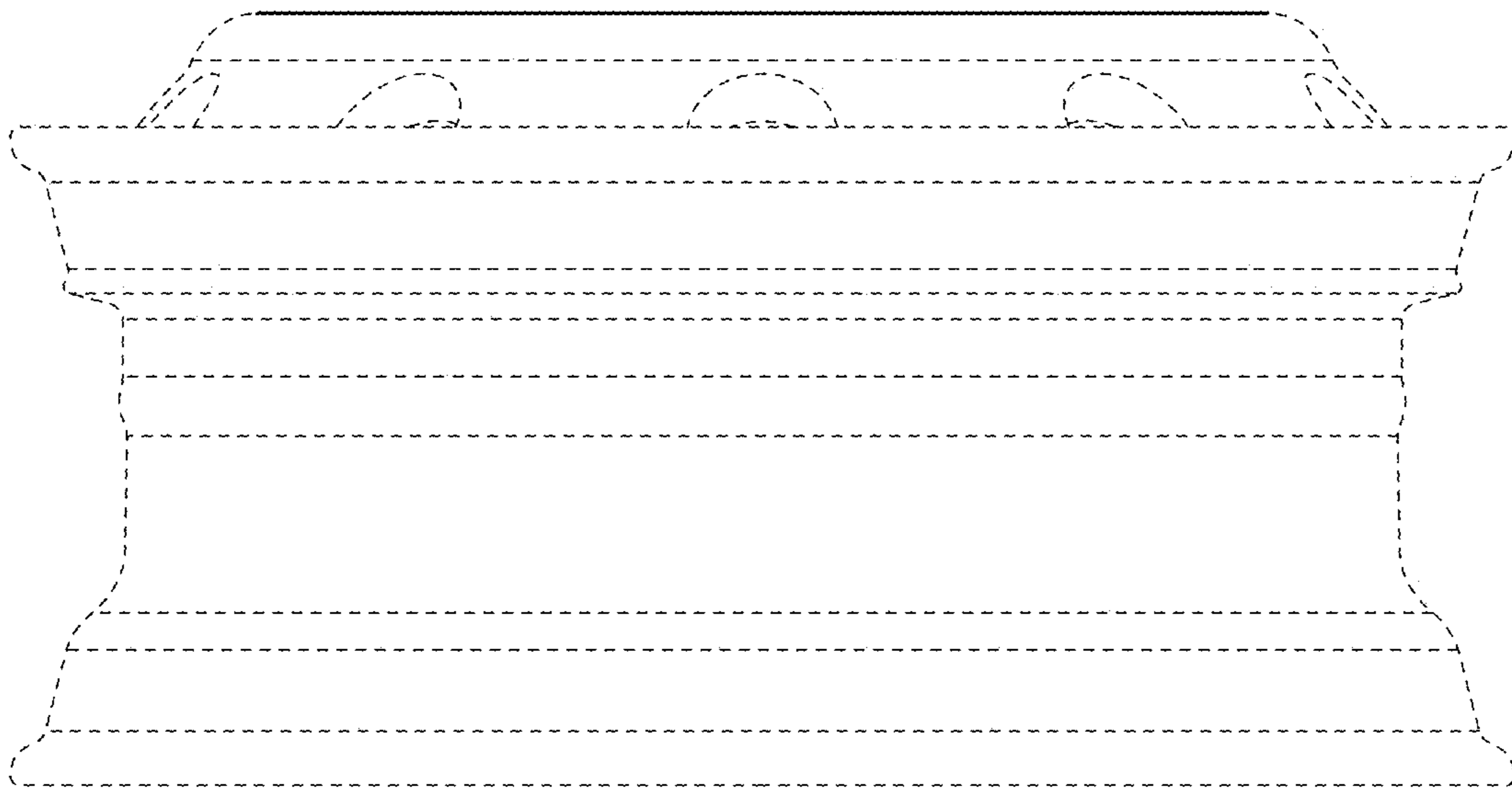


FIG. 7

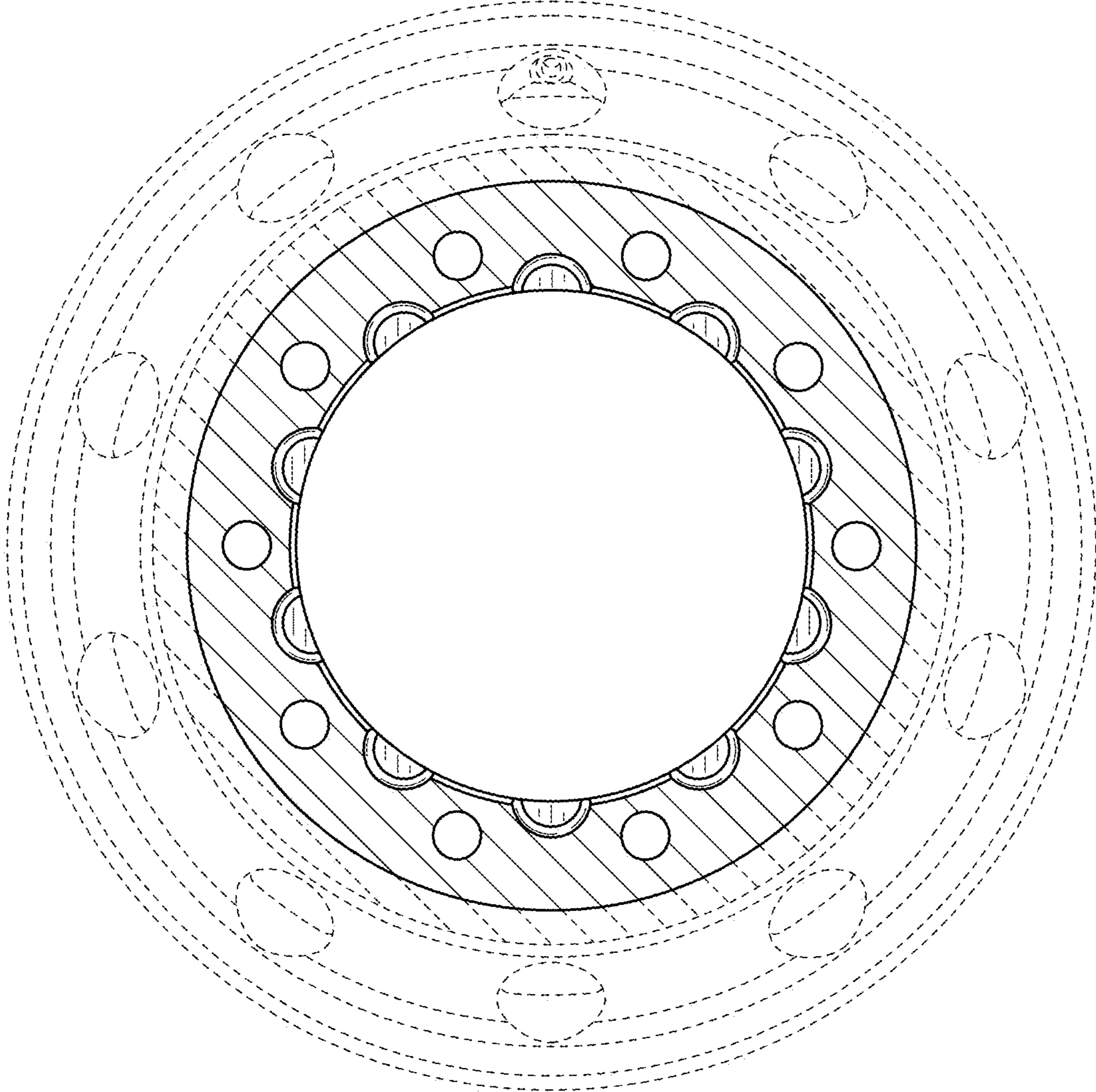


FIG. 8

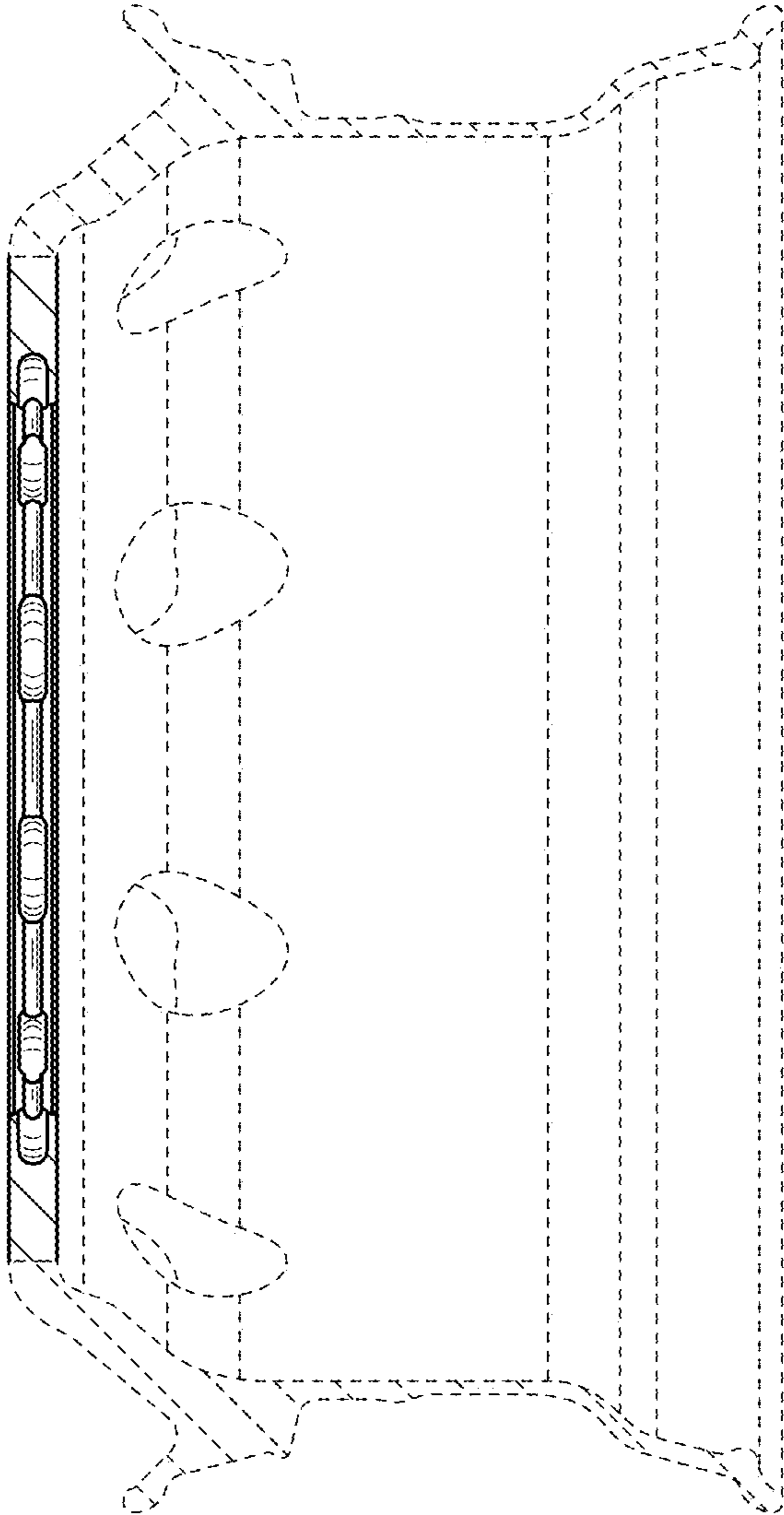


FIG. 9