



US00D929298S

(12) **United States Design Patent** (10) **Patent No.:** **US D929,298 S**
Bromley et al. (45) **Date of Patent:** **** Aug. 31, 2021**

(54) **WHEEL**

(71) Applicant: **Piaggio Fast Forward, Inc.**, Boston, MA (US)

(72) Inventors: **Jamar A. Bromley**, Boston, MA (US); **Gregory Stewart Lynn**, Boston, MA (US); **Amos Joseph Edward Ambler**, Boston, MA (US); **Jerry Joe Ding**, Boston, MA (US)

(73) Assignee: **PIAGGIO FAST FORWARD, INC.**, Boston, MA (US)

(**) Term: **15 Years**

(21) Appl. No.: **29/667,481**

(22) Filed: **Oct. 22, 2018**

(51) **LOC (13) Cl.** **12-16**

(52) **U.S. Cl.**
USPC **D12/210**

(58) **Field of Classification Search**
 USPC D12/204–213; D21/563
 CPC B60B 7/00; B60B 7/02; B60B 7/04; B60B 7/01; B60B 3/02; B60B 3/04; B60B 3/06; B60B 3/10; B60B 1/00; B60B 1/08; B60B 1/10; B60B 1/12; B60B 7/06

See application file for complete search history.

(56) **References Cited**

U.S. PATENT DOCUMENTS

D86,327 S *	1/1931	Mussen	D12/210
D252,564 S *	8/1979	Harty, Jr.	D12/210
D288,312 S *	2/1987	Envall	D12/210
D519,433 S *	4/2006	Finn	D12/210
D576,093 S *	9/2008	Chung	D12/210
D582,827 S *	12/2008	Musser	D12/210
D680,938 S *	4/2013	Hale, Jr.	D12/210
D890,070 S *	7/2020	Mukti	D12/210

* cited by examiner

Primary Examiner — Stacia A Cadmus

(74) *Attorney, Agent, or Firm* — Onello & Mello, LLP

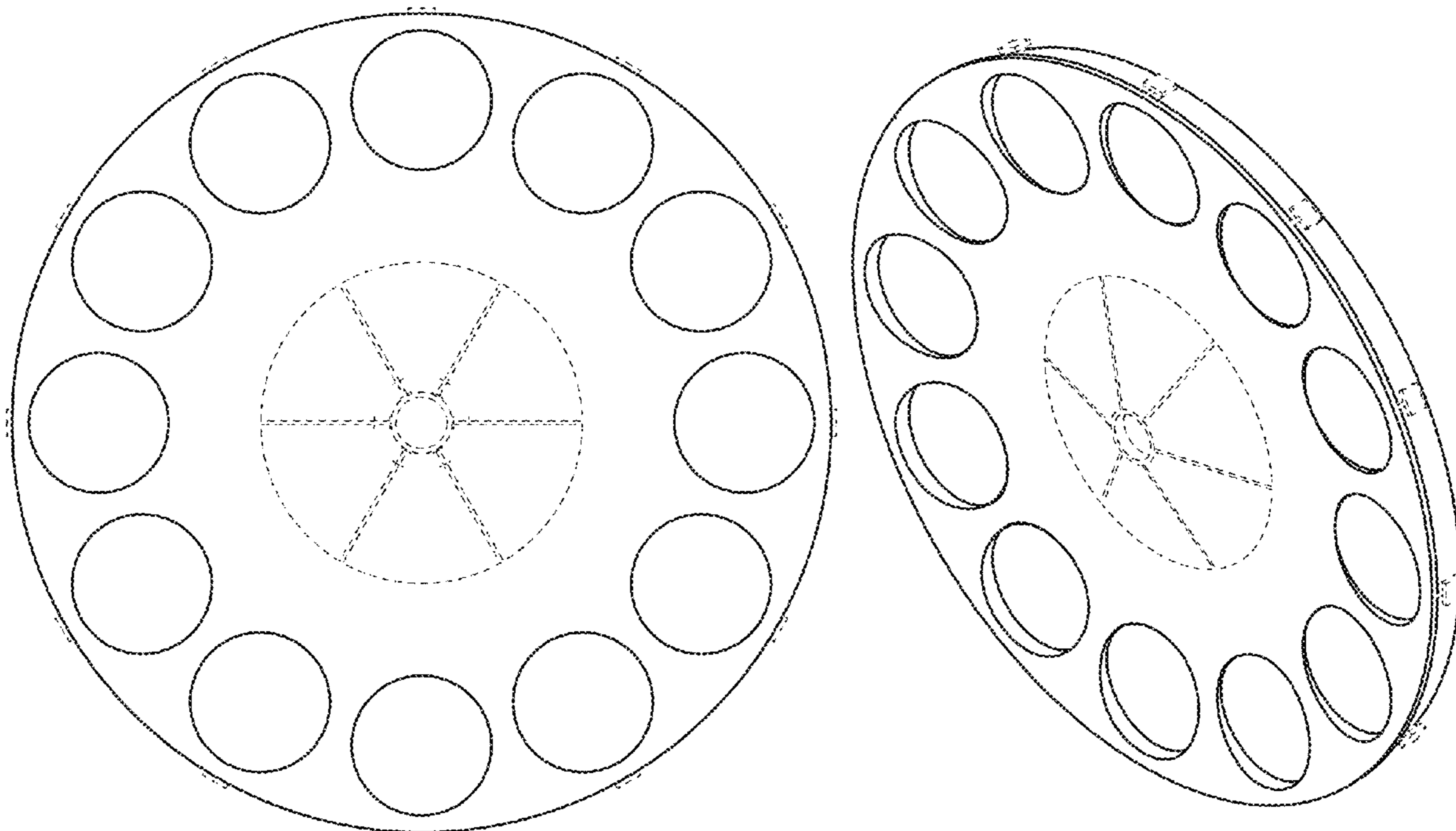
(57) **CLAIM**

An ornamental design for a wheel, as shown and described.

DESCRIPTION

FIG. 1 front view of a wheel, in accordance with the present invention;
 FIG. 2 is an isometric view of the wheel of FIG. 1;
 FIG. 3 is a top, bottom, and side view of the wheel of FIG. 1; and,
 FIG. 4 is a rear side view of the wheel of FIG. 1.
 In the drawings, the broken lines depict portions of the wheel that form no part of the claimed design.

1 Claim, 2 Drawing Sheets



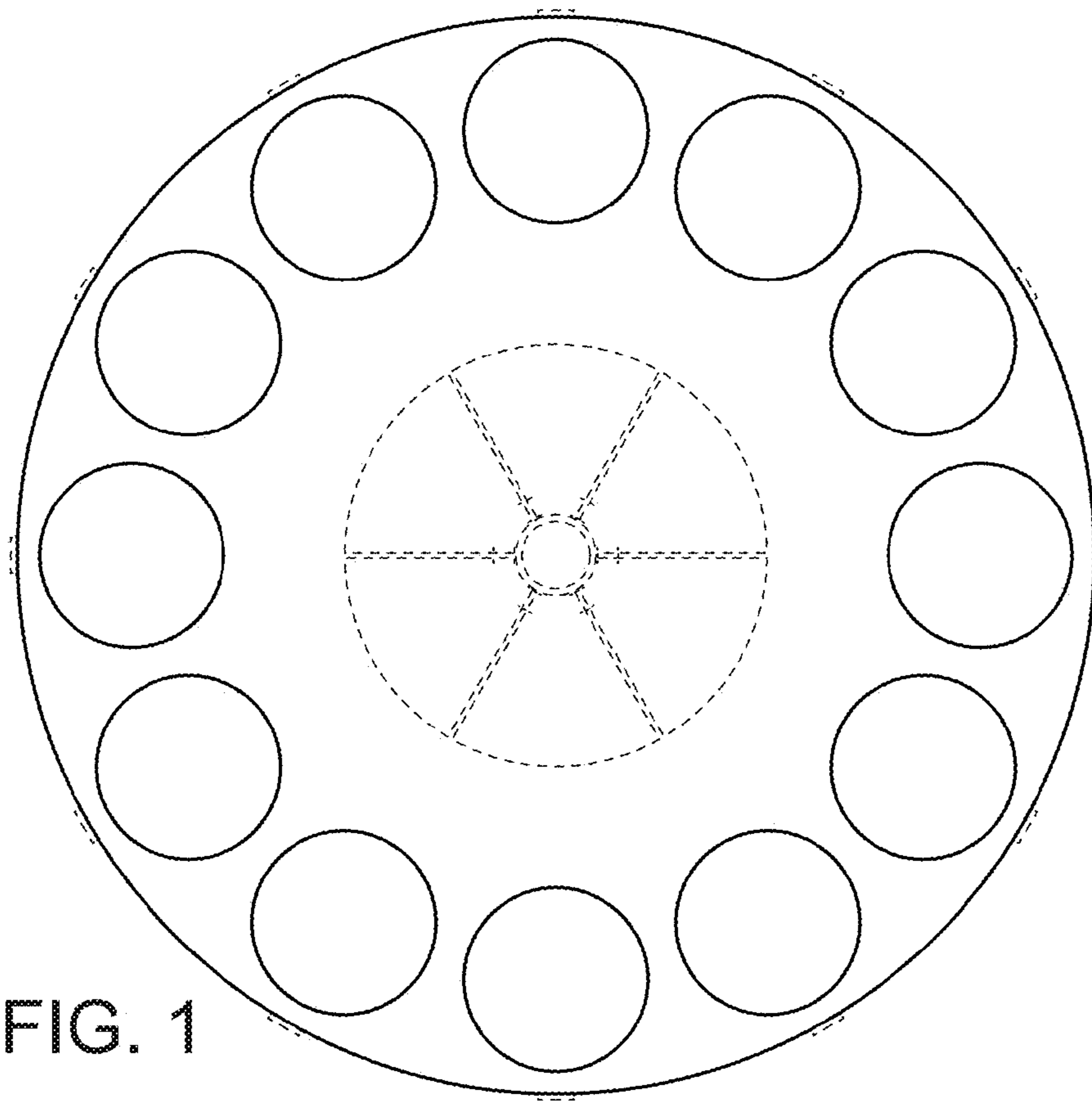


FIG. 1

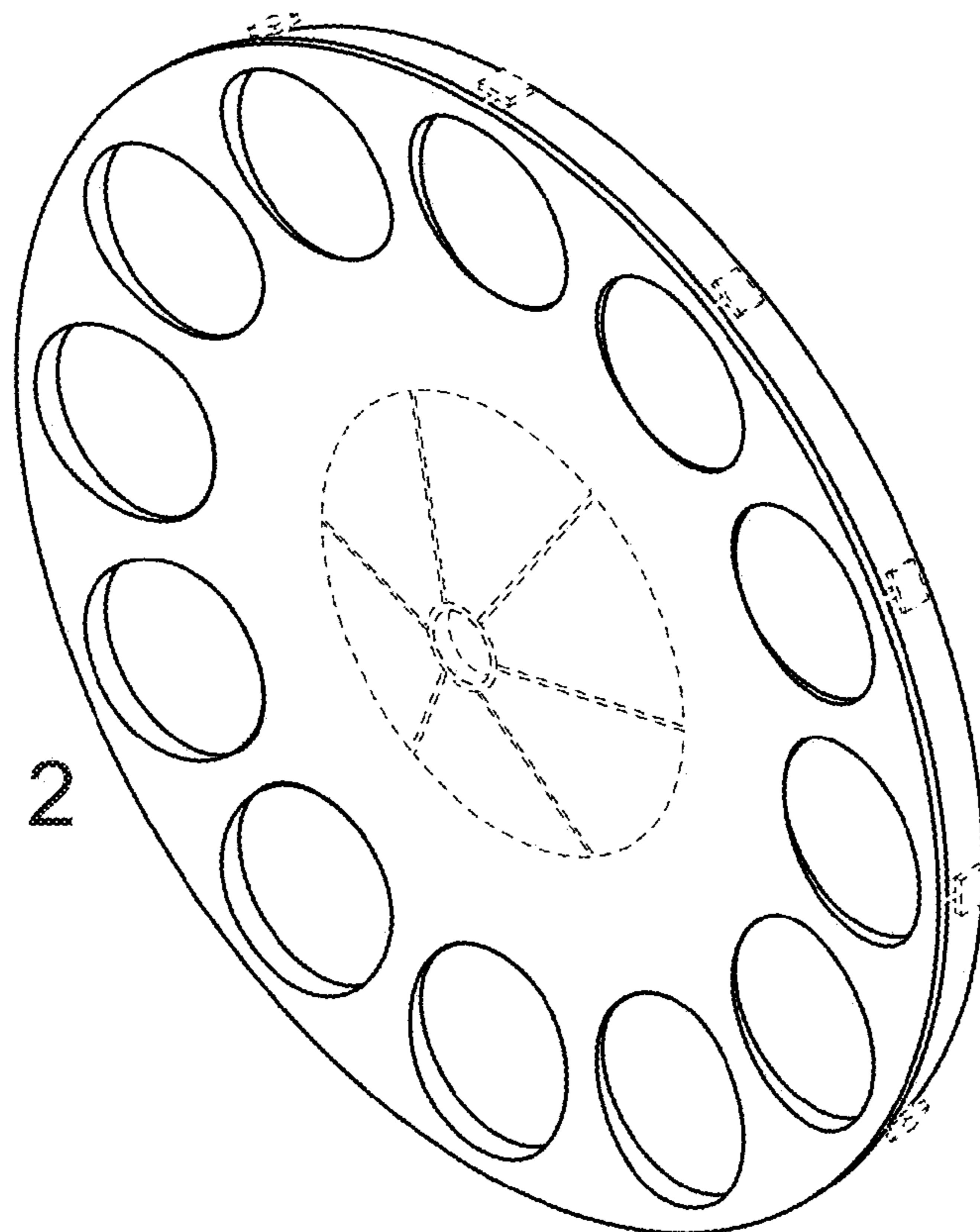


FIG. 2



FIG. 3

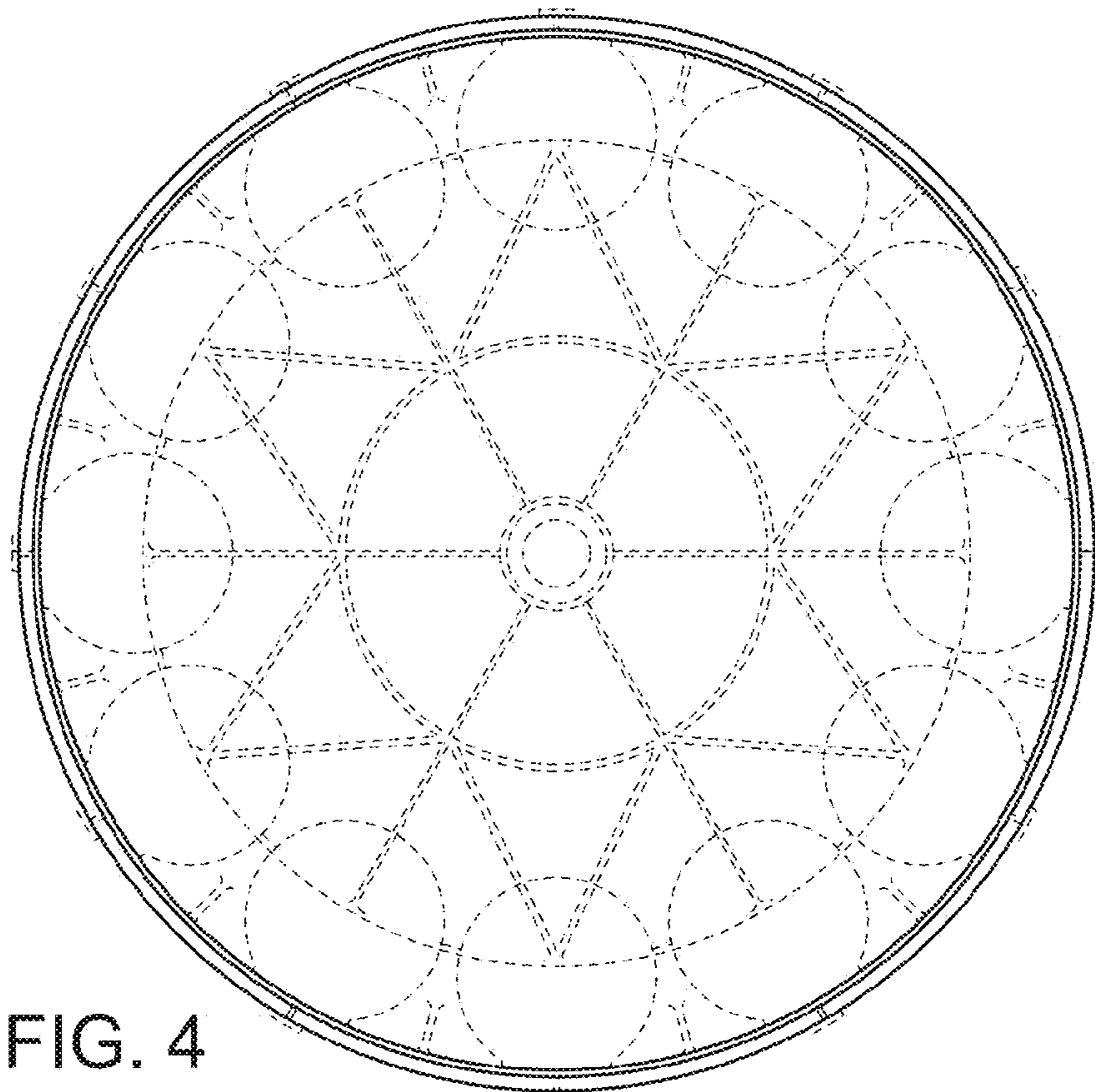


FIG. 4