



US00D929297S

(12) **United States Design Patent**  
**VanRyn**

(10) **Patent No.:** **US D929,297 S**

(45) **Date of Patent:** **\*\* Aug. 31, 2021**

(54) **WHEEL**

(71) Applicant: **Wheel Pros, LLC**, Greenwood Village, CO (US)

(72) Inventor: **Tom VanRyn**, Buena Park, CA (US)

(\*\*) Term: **15 Years**

(21) Appl. No.: **29/750,842**

(22) Filed: **Sep. 16, 2020**

(51) **LOC (13) Cl.** ..... **12-16**

(52) **U.S. Cl.**  
USPC ..... **D12/209**

(58) **Field of Classification Search**  
USPC ..... D12/204–213; D21/563  
CPC .... B60B 7/00; B60B 7/02; B60B 7/04; B60B 7/01; B60B 7/06; B60B 3/02; B60B 3/04; B60B 3/06; B60B 3/10; B60B 1/00; B60B 1/08; B60B 1/10; B60B 1/12  
See application file for complete search history.

|              |         |                  |         |
|--------------|---------|------------------|---------|
| D758,945 S * | 6/2016  | Zhao .....       | D12/211 |
| D782,950 S * | 4/2017  | Hatton .....     | D12/209 |
| D800,628 S * | 10/2017 | Tran .....       | D12/209 |
| D817,844 S * | 5/2018  | Hale, Jr. ....   | D12/209 |
| D836,525 S * | 12/2018 | Sempek .....     | D12/211 |
| D853,933 S * | 7/2019  | Henderson .....  | D12/211 |
| D856,245 S * | 8/2019  | Hale, Jr. ....   | D12/209 |
| D859,258 S * | 9/2019  | Hale, Jr. ....   | D12/209 |
| D865,625 S * | 11/2019 | Chiu .....       | D12/209 |
| D871,996 S * | 1/2020  | Bjerke .....     | D12/209 |
| D878,992 S * | 3/2020  | Yeh .....        | D12/209 |
| D885,284 S * | 5/2020  | Han .....        | D12/209 |
| D888,637 S * | 6/2020  | Zhao .....       | D12/209 |
| D898,651 S * | 10/2020 | Licklitter ..... | D12/209 |
| D904,274 S * | 12/2020 | Sempek .....     | D12/211 |
| D908,069 S * | 1/2021  | Lee .....        | D12/211 |
| D908,070 S * | 1/2021  | Wheel .....      | D12/211 |
| D915,980 S * | 4/2021  | Kangas .....     | D12/209 |
| D915,981 S * | 4/2021  | Kangas .....     | D12/209 |
| D919,543 S * | 5/2021  | Kaoud .....      | D12/211 |
| D922,293 S * | 6/2021  | Kaoud .....      | D12/209 |

\* cited by examiner

*Primary Examiner* — Stacia A Cadmus

(74) *Attorney, Agent, or Firm* — Eric Hanscom

(56) **References Cited**

U.S. PATENT DOCUMENTS

|              |         |                 |         |
|--------------|---------|-----------------|---------|
| D391,216 S * | 2/1998  | Bollmann .....  | D12/209 |
| D453,492 S * | 2/2002  | Laengerer ..... | D12/209 |
| D522,429 S * | 6/2006  | Ishiwata .....  | D12/209 |
| D524,213 S * | 7/2006  | Szavits .....   | D12/209 |
| D541,205 S * | 4/2007  | Plumer .....    | D12/211 |
| D579,848 S * | 11/2008 | Kim .....       | D12/211 |
| D582,828 S * | 12/2008 | Young .....     | D12/211 |
| D620,421 S * | 7/2010  | Lamm .....      | D12/209 |
| D652,364 S * | 1/2012  | Zhao .....      | D12/211 |
| D748,029 S * | 1/2016  | Kermelk .....   | D12/209 |
| D751,480 S * | 3/2016  | Chung .....     | D12/209 |

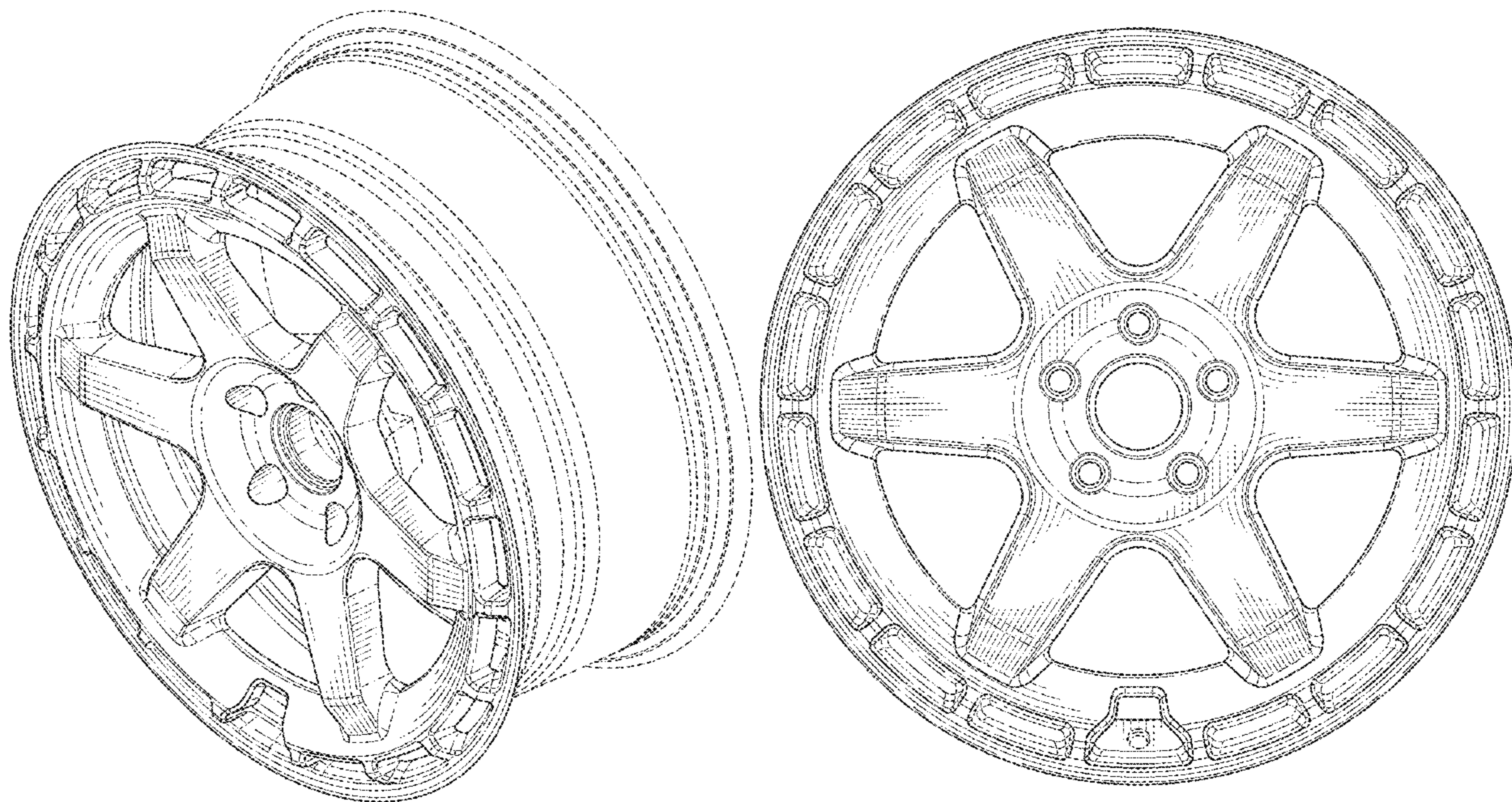
(57) **CLAIM**

The ornamental design for a wheel, as shown and described.

**DESCRIPTION**

FIG. 1 is a perspective view of a wheel showing my new design; and, FIG. 2 is a front view thereof. In the drawings the broken lines depict portions of the wheel that form no part of the claimed design.

**1 Claim, 2 Drawing Sheets**





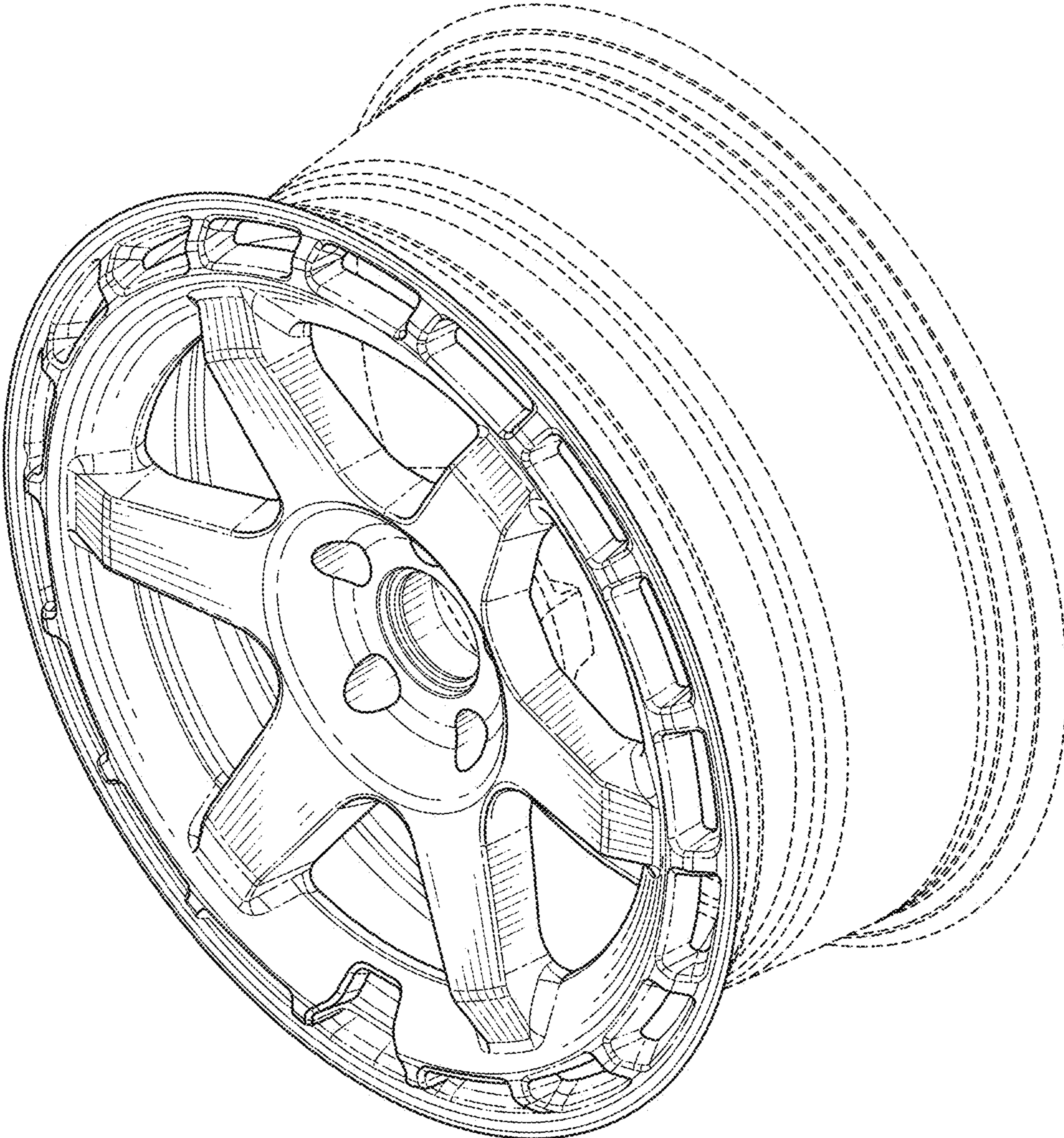


FIG. 1



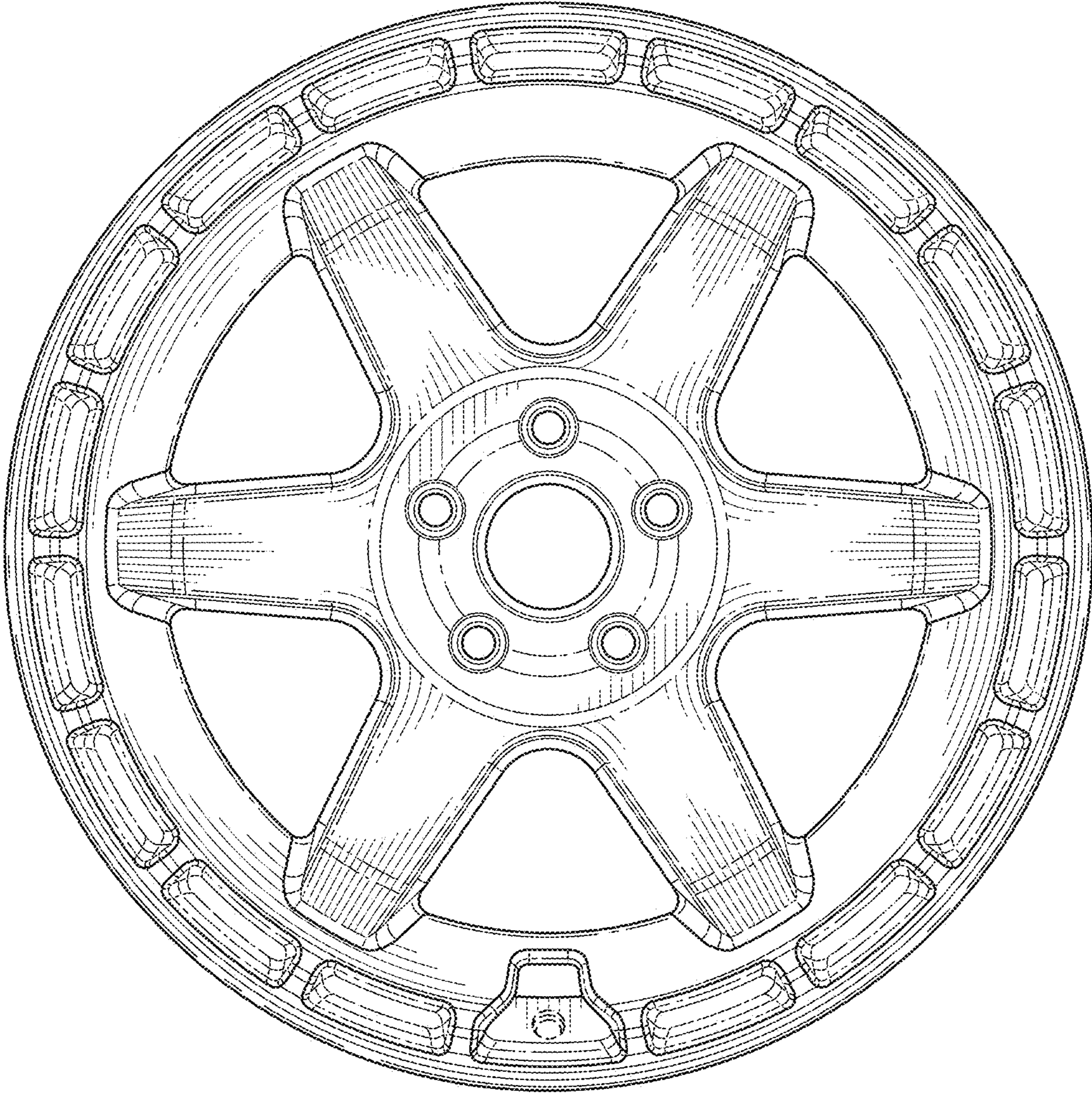


FIG. 2