



US00D929296S

(12) **United States Design Patent**  
**VanRyn**

(10) **Patent No.:** **US D929,296 S**

(45) **Date of Patent:** **\*\* \*Aug. 31, 2021**

(54) **WHEEL**

(71) Applicant: **Wheel Pros, LLC**, Greenwood Village, CO (US)

(72) Inventor: **Tom VanRyn**, Buena Park, CA (US)

(\*) Notice: This patent is subject to a terminal disclaimer.

(\*\*) Term: **15 Years**

(21) Appl. No.: **29/750,839**

(22) Filed: **Sep. 16, 2020**

(51) **LOC (13) Cl.** ..... **12-16**

(52) **U.S. Cl.**  
USPC ..... **D12/209**

(58) **Field of Classification Search**  
USPC ..... D12/204–213; D21/563  
CPC .... B60B 7/00; B60B 7/02; B60B 7/04; B60B 7/01; B60B 7/06; B60B 3/02; B60B 3/04; B60B 3/06; B60B 3/10; B60B 1/00; B60B 1/08; B60B 1/10; B60B 1/12  
See application file for complete search history.

(56) **References Cited**

**U.S. PATENT DOCUMENTS**

D391,216 S *	2/1998	Bollmann	.....	D12/209
D453,492 S *	2/2002	Laengerer	.....	D12/209
D522,429 S *	6/2006	Ishiwata	.....	D12/209
D524,213 S *	7/2006	Szavits	.....	D12/209
D541,205 S *	4/2007	Plumer	.....	D12/211
D579,848 S *	11/2008	Kim	.....	D12/211
D582,828 S *	12/2008	Young	.....	D12/211
D620,421 S *	7/2010	Lamm	.....	D12/209
D652,364 S *	1/2012	Zhao	.....	D12/211

D748,029 S *	1/2016	Kermelk	.....	D12/209
D751,480 S *	3/2016	Chung	.....	D12/209
D758,945 S *	6/2016	Zhao	.....	D12/211
D782,950 S *	4/2017	Hatton	.....	D12/209
D800,628 S *	10/2017	Tran	.....	D12/209
D817,844 S *	5/2018	Hale, Jr.	.....	D12/209
D836,525 S *	12/2018	Sempek	.....	D12/211
D853,933 S *	7/2019	Henderson	.....	D12/211
D856,245 S *	8/2019	Hale, Jr.	.....	D12/209
D859,258 S *	9/2019	Hale, Jr.	.....	D12/209
D865,625 S *	11/2019	Chiu	.....	D12/209
D871,996 S *	1/2020	Bjerke	.....	D12/209
D878,992 S *	3/2020	Yeh	.....	D12/209
D885,284 S *	5/2020	Han	.....	D12/209
D888,637 S *	6/2020	Zhao	.....	D12/209
D898,651 S *	10/2020	Licklitter	.....	D12/209
D904,274 S *	12/2020	Sempek	.....	D12/211
D908,069 S *	1/2021	Lee	.....	D12/211
D908,070 S *	1/2021	Wheel	.....	D12/211
D915,980 S *	4/2021	Kangas	.....	D12/209
D915,981 S *	4/2021	Kangas	.....	D12/209
D919,543 S *	5/2021	Kaoud	.....	D12/211
D922,293 S *	6/2021	Kaoud	.....	D12/209
D924,114 S *	7/2021	Kangas	.....	D12/209

\* cited by examiner

*Primary Examiner* — Stacia A Cadmus

(74) *Attorney, Agent, or Firm* — Eric Hanscom

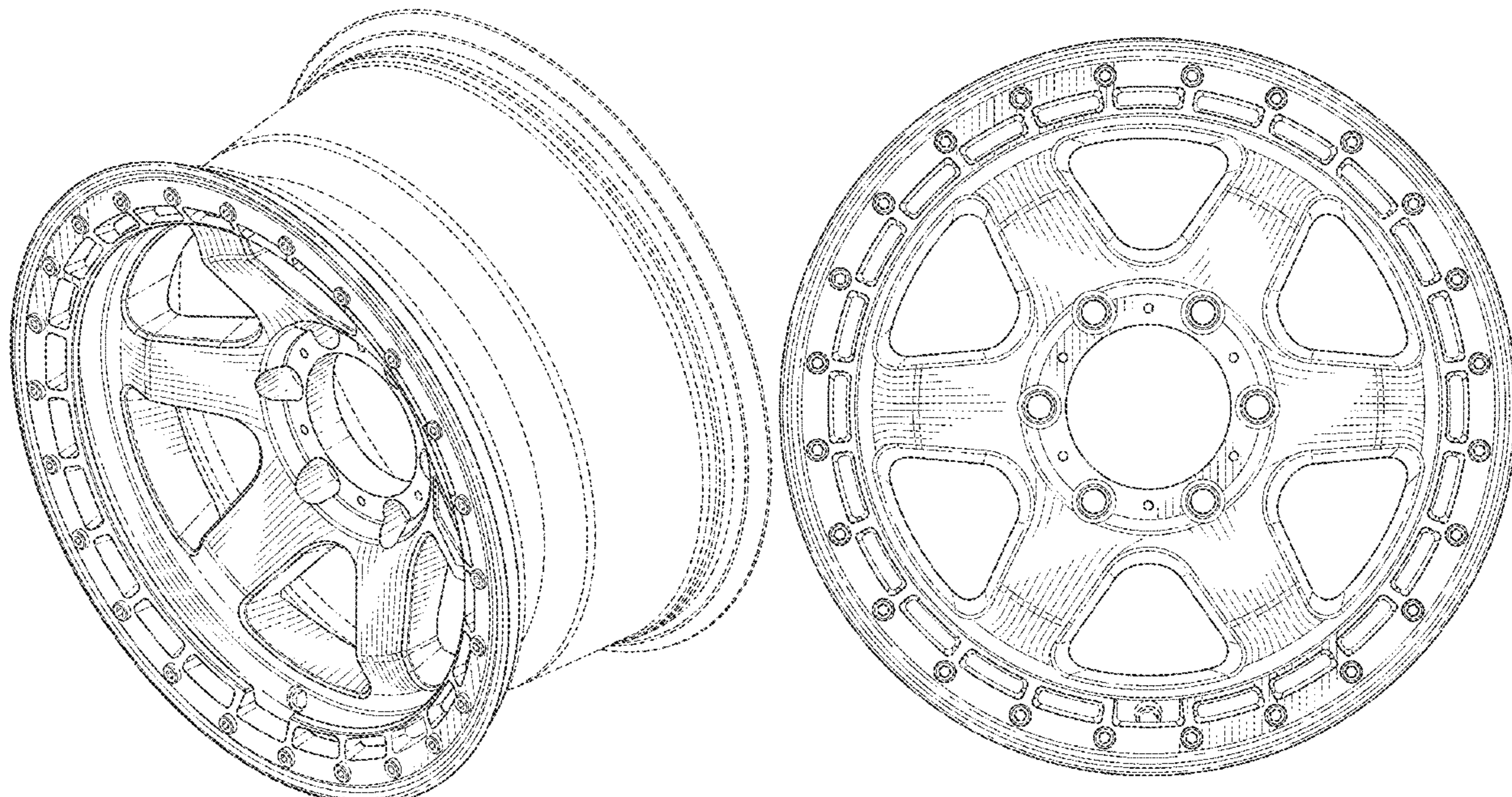
(57) **CLAIM**

The ornamental design for a wheel, as shown and described.

**DESCRIPTION**

FIG. 1 is a perspective view of a wheel showing my new design; and, FIG. 2 is a front view thereof. In the drawings the broken lines depict portions of the wheel that form no part of the claimed design.

**1 Claim, 2 Drawing Sheets**



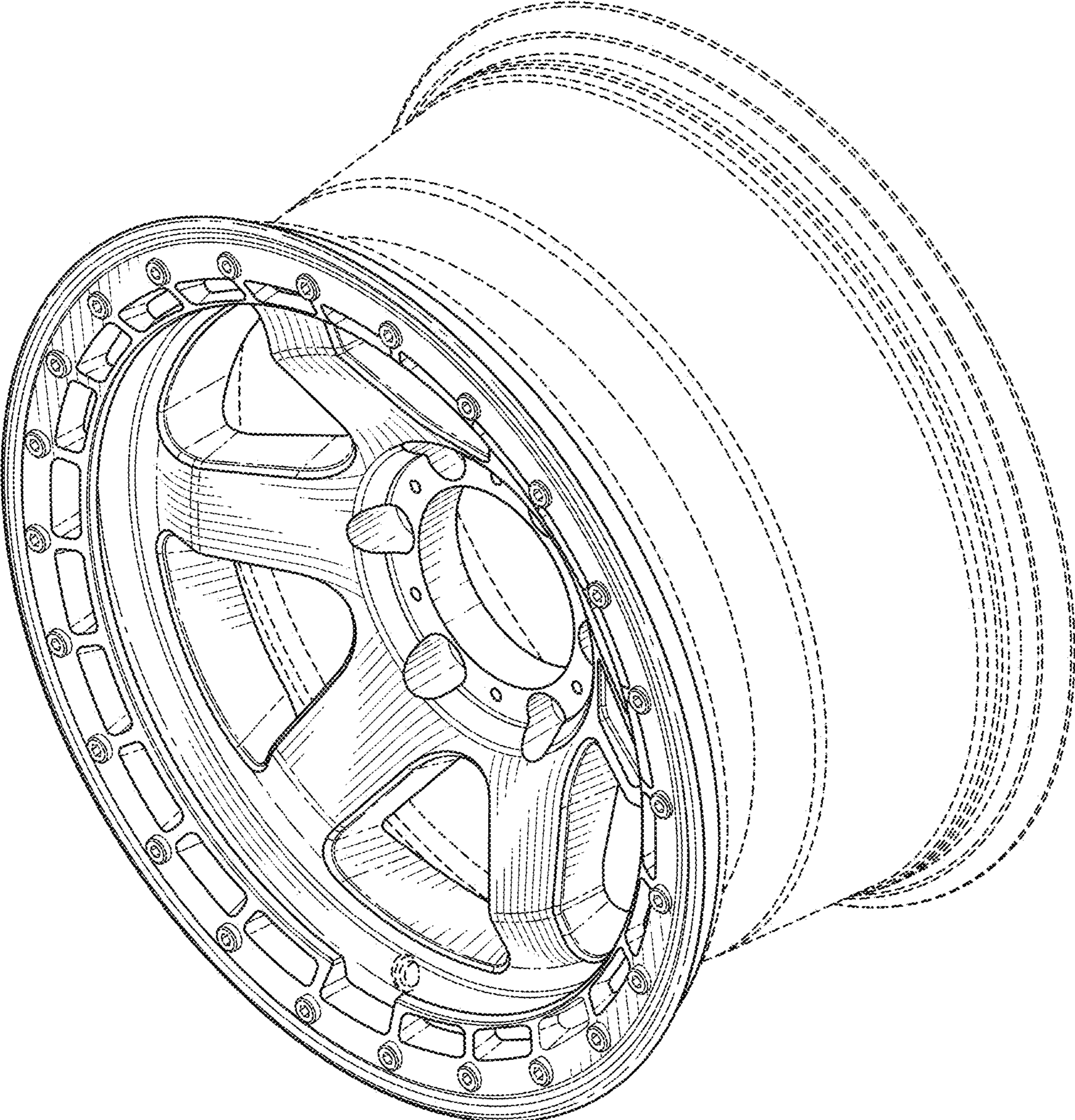


FIG. 1

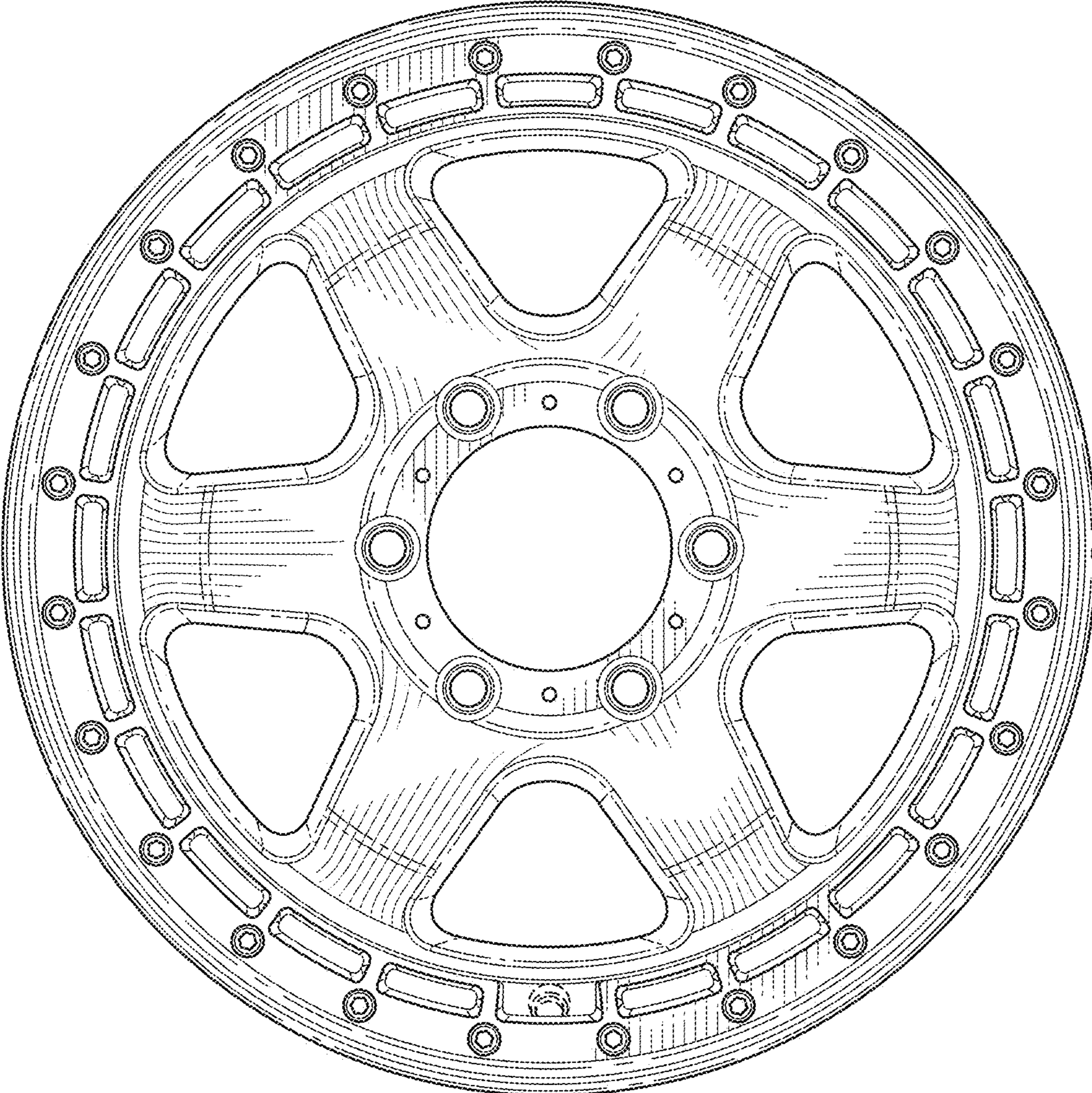


FIG. 2