



US00D929294S

(12) **United States Design Patent**
Han

(10) **Patent No.:** **US D929,294 S**

(45) **Date of Patent:** **** Aug. 31, 2021**

(54) **AUTOMOTIVE WHEEL**

(71) Applicant: **Donnie Han**, Corona, CA (US)

(72) Inventor: **Donnie Han**, Corona, CA (US)

(**) Term: **15 Years**

(21) Appl. No.: **29/747,829**

(22) Filed: **Aug. 25, 2020**

(51) **LOC (13) Cl.** **12-16**

(52) **U.S. Cl.**

USPC **D12/209**

(58) **Field of Classification Search**

USPC D12/204–213; D21/563

CPC B60B 7/00; B60B 7/02; B60B 7/04; B60B

7/01; B60B 7/06; B60B 3/02; B60B 3/04;

B60B 3/06; B60B 3/10; B60B 1/00;

B60B 1/08; B60B 1/10; B60B 1/12

See application file for complete search history.

(56) **References Cited**

U.S. PATENT DOCUMENTS

D481,663 S *	11/2003	Maifrini	D12/211
D491,872 S *	6/2004	Lai	D12/211
D536,654 S *	2/2007	Moruzzi	D12/211
D542,208 S *	5/2007	Gallert	D12/211
D542,211 S *	5/2007	Hieke	D12/211
D603,779 S *	11/2009	Futschik	D12/211
D604,221 S *	11/2009	Krisch	D12/211
D620,417 S *	7/2010	Gallert	D12/209
D646,212 S *	10/2011	Ettensberger	D12/211
D649,104 S *	11/2011	Gallert	D12/211
D656,879 S *	4/2012	Gallert	D12/211

D669,008 S *	10/2012	von Holzhausen	D12/211
D703,603 S *	4/2014	Tirado	D12/211
D746,210 S *	12/2015	Dilber	D12/211
D749,484 S *	2/2016	Stopka	D12/209
D749,485 S *	2/2016	Gallert	D12/211
D758,943 S *	6/2016	Elmitt	D12/209
D759,559 S *	6/2016	Mielke	D12/209
D780,664 S *	3/2017	Gallert	D12/211
D789,865 S *	6/2017	Giolito	D12/211
D795,154 S *	8/2017	Hans	D12/211
D803,755 S *	11/2017	Widua	D12/211
D820,186 S *	6/2018	Badstuebner	D12/211
D823,769 S *	7/2018	Gallert	D12/209
D824,313 S *	7/2018	Badstuebner	D12/209
D828,878 S *	9/2018	Sprowl	D21/563
D845,862 S *	4/2019	Kong	D12/209
D855,001 S *	7/2019	Hodges	D12/211
D876,313 S *	2/2020	Schmolz	D12/211
D885,293 S *	5/2020	Gallert	D12/211
D908,585 S *	1/2021	Mukti	D12/211
D915,986 S *	4/2021	Wachter	D12/209

* cited by examiner

Primary Examiner — Stacia A Cadmus

(57) **CLAIM**

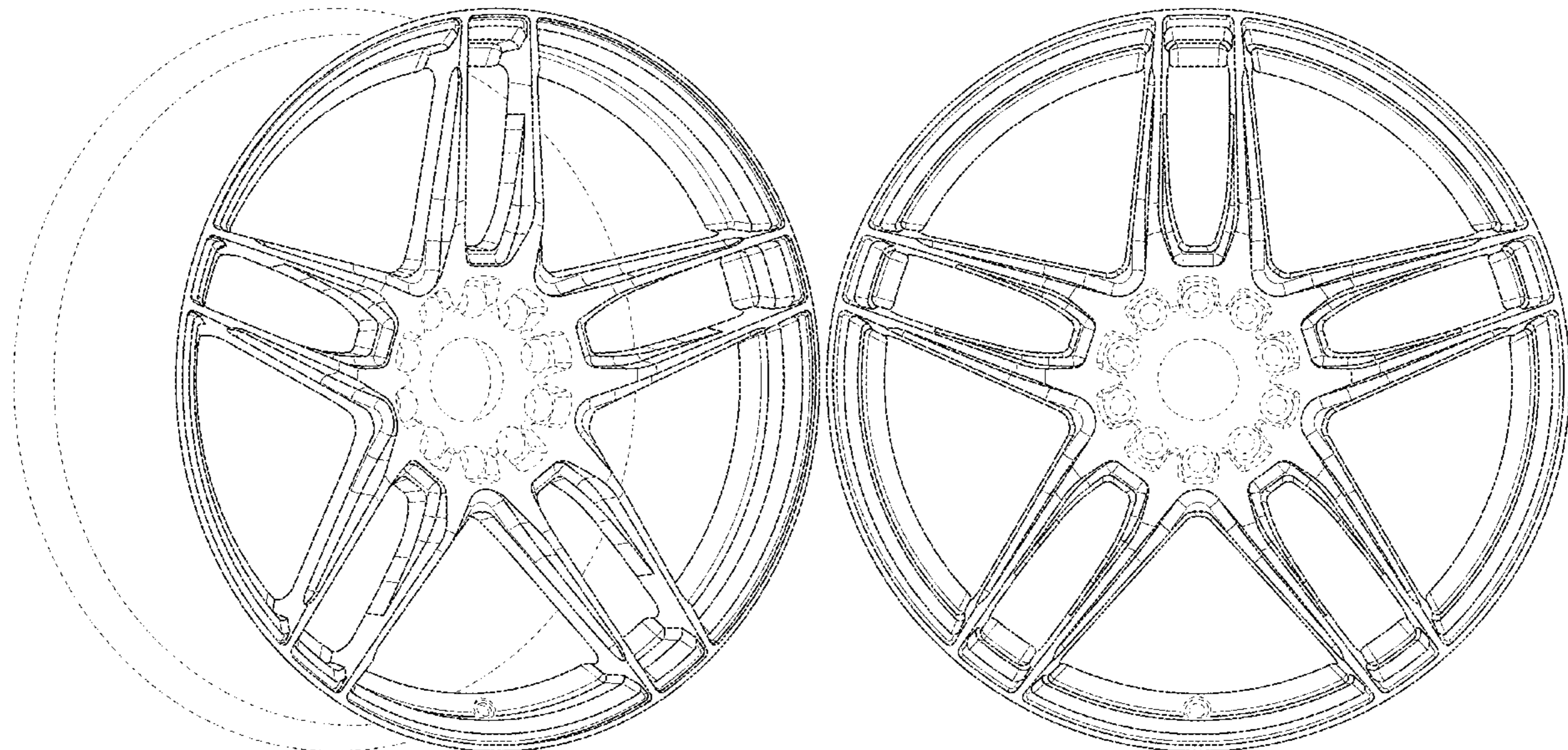
The ornamental design for an automotive wheel, as shown and described.

DESCRIPTION

FIG. 1 is a perspective view of an automotive wheel, showing my new design; and, FIG. 2 is a front view thereof.

In the drawings the broken lines depict portions of the wheel that form no part of the claimed design.

1 Claim, 2 Drawing Sheets



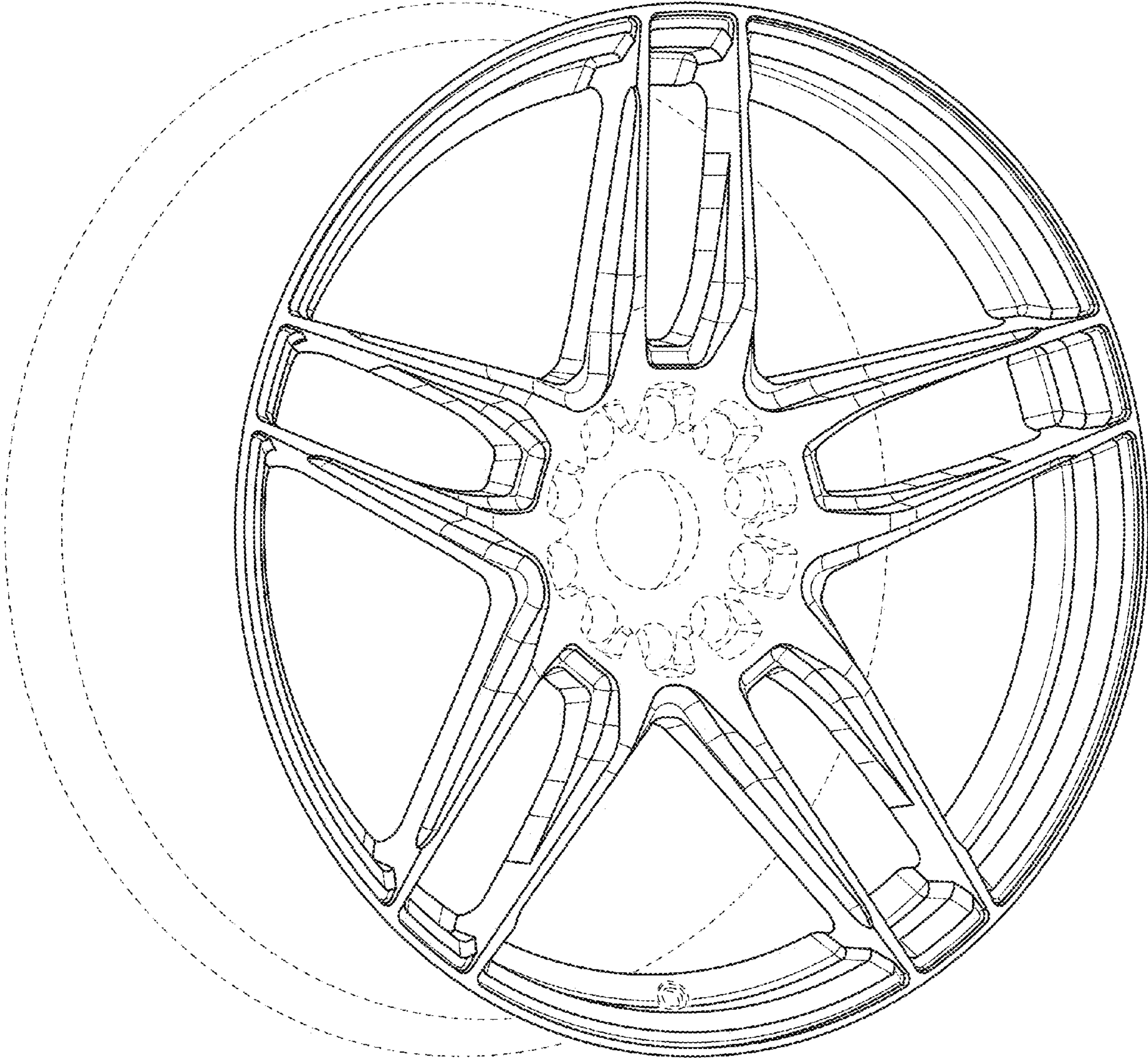


FIGURE 1

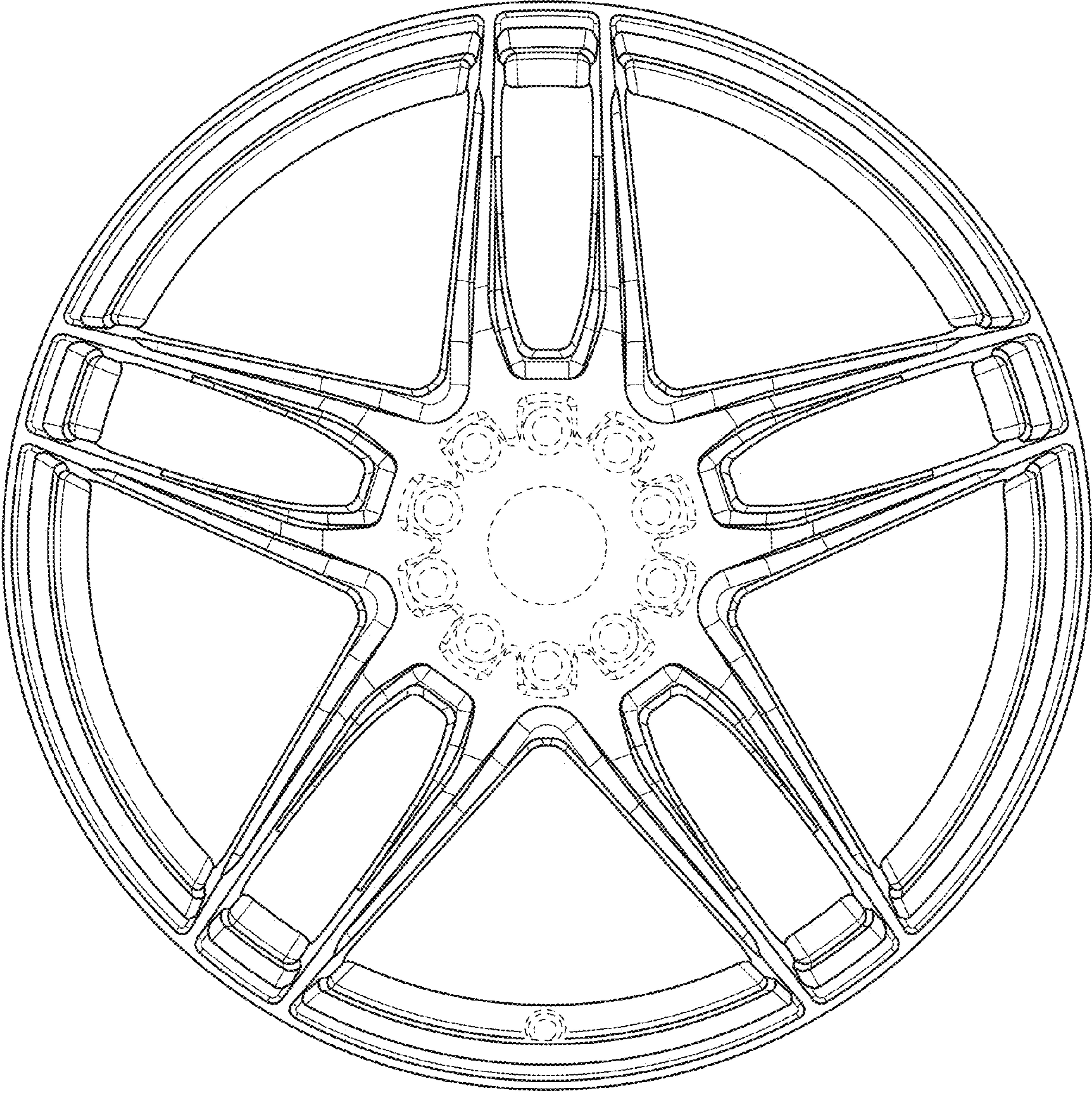


FIGURE 2