



US00D929292S

(12) **United States Design Patent**
Han

(10) **Patent No.:** **US D929,292 S**

(45) **Date of Patent:** **** Aug. 31, 2021**

(54) **AUTOMOTIVE WHEEL**

(71) Applicant: **Donnie Han**, Corona, CA (US)

(72) Inventor: **Donnie Han**, Corona, CA (US)

(**) Term: **15 Years**

(21) Appl. No.: **29/746,580**

(22) Filed: **Aug. 14, 2020**

(51) **LOC (13) Cl.** **12-16**

(52) **U.S. Cl.**
USPC **D12/209**

(58) **Field of Classification Search**
USPC D12/204-213; D21/563
CPC B60B 7/00; B60B 7/02; B60B 7/04; B60B
7/01; B60B 7/06; B60B 3/02; B60B 3/04;
B60B 3/06; B60B 3/10; B60B 1/00;
B60B 1/08; B60B 1/10; B60B 1/12
See application file for complete search history.

(56) **References Cited**

U.S. PATENT DOCUMENTS

D817,843 S * 5/2018 Hale, Jr. D12/209
D833,943 S * 11/2018 Chung D12/209
D837,709 S * 1/2019 Chung D12/209

D838,644 S * 1/2019 Chung D12/209
D838,647 S * 1/2019 Han D12/209
D840,900 S * 2/2019 Lickliter D12/211
D842,186 S * 3/2019 Kong D12/209
D855,539 S * 8/2019 Han D12/209
D856,255 S * 8/2019 Johnson D12/209
D857,592 S * 8/2019 Han D12/209
D863,190 S * 10/2019 Han D12/209
D870,632 S * 12/2019 Ash D12/209
D877,676 S * 3/2020 Lee D12/209
D889,368 S * 7/2020 Lee D12/209
D894,077 S * 8/2020 Lee D12/209
D913,183 S * 3/2021 Aslam D12/211
D918,119 S * 5/2021 Han D12/209
D920,205 S * 5/2021 Johnson D12/209

* cited by examiner

Primary Examiner — Stacia A Cadmus

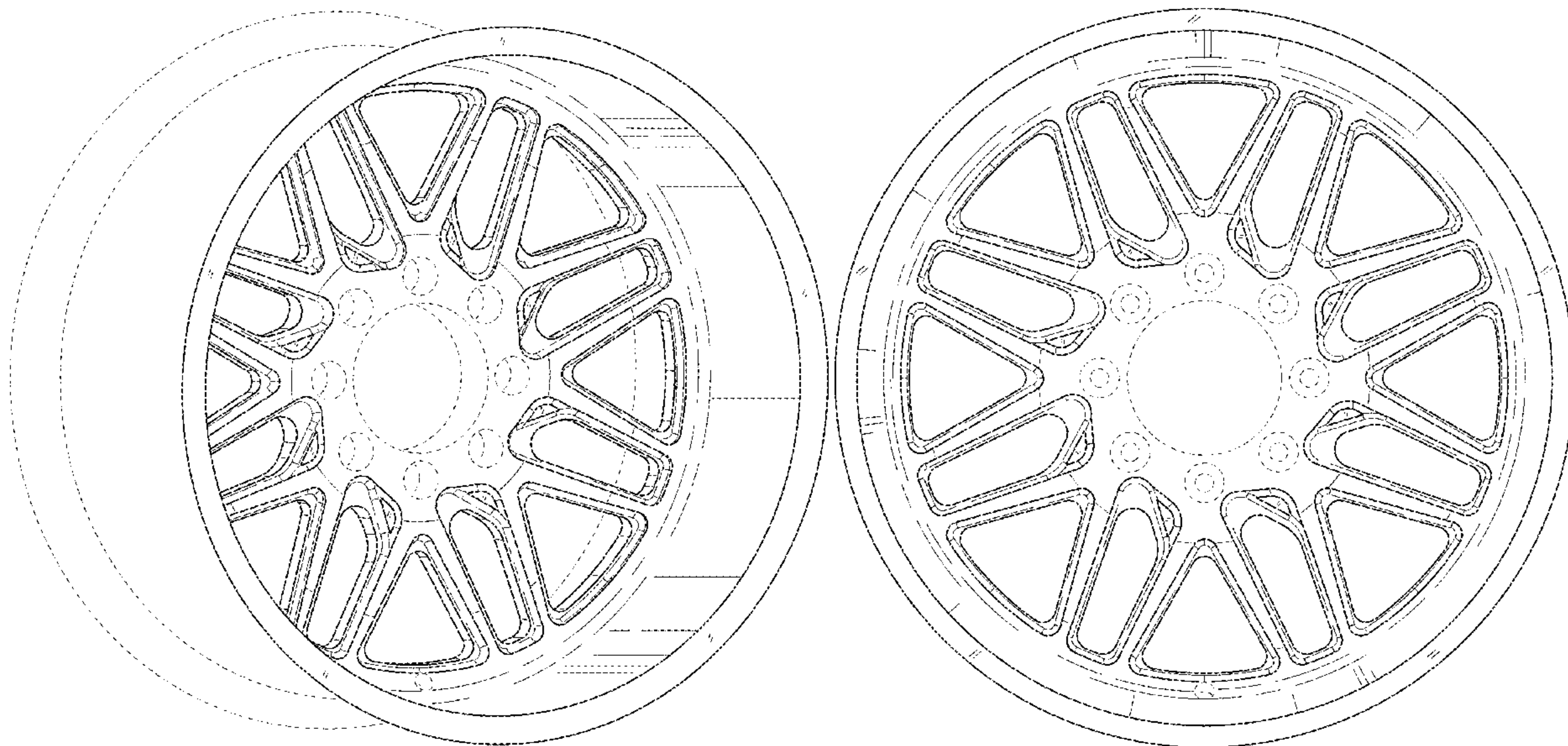
(57) **CLAIM**

The ornamental design for an automotive wheel, as shown and described.

DESCRIPTION

FIG. 1 is a perspective view of an automotive wheel, showing my new design; and, FIG. 2 is a front view thereof. In the drawings the broken lines depict portions of the wheel that form no part of the claimed design.

1 Claim, 2 Drawing Sheets



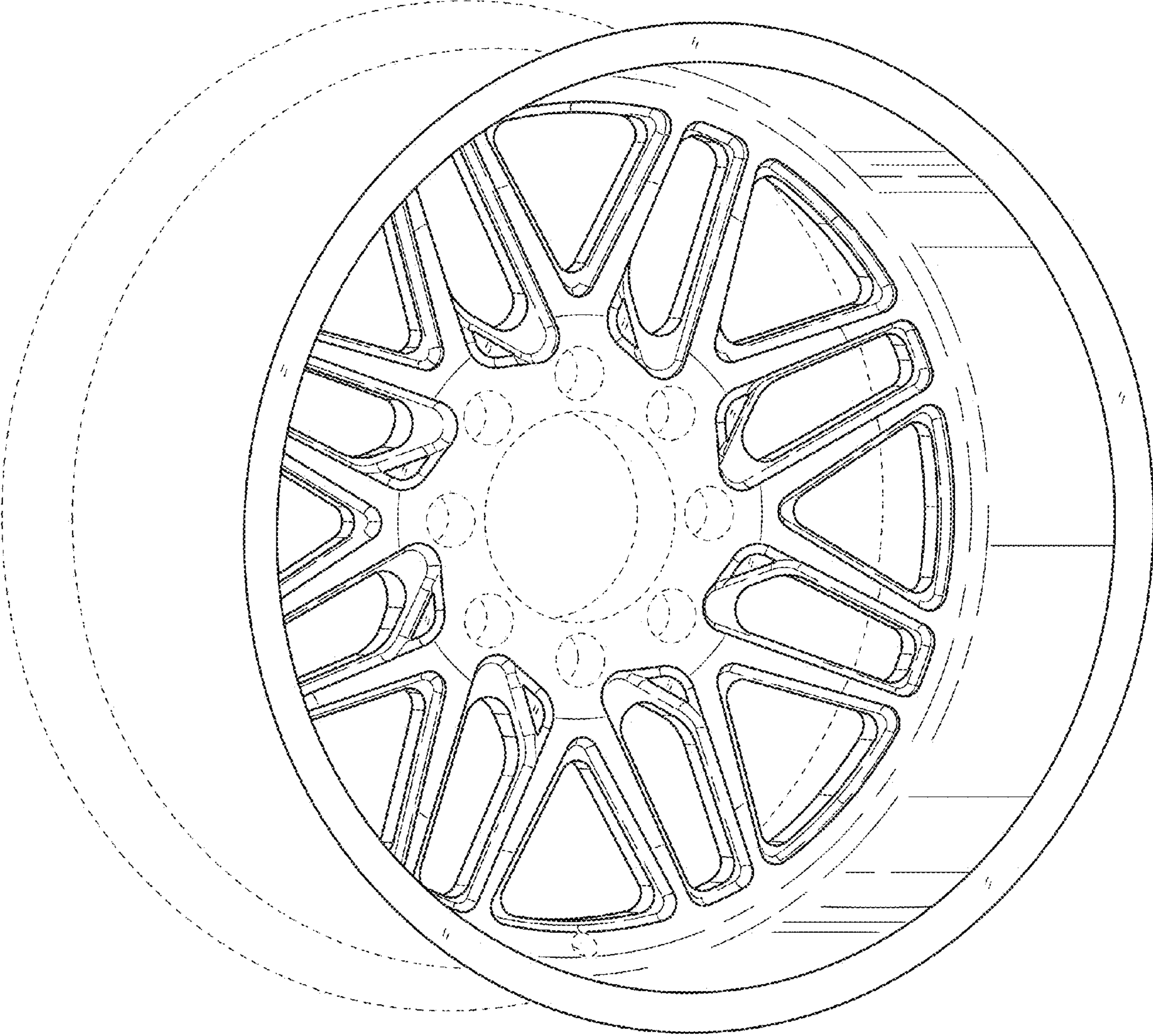


FIGURE 1

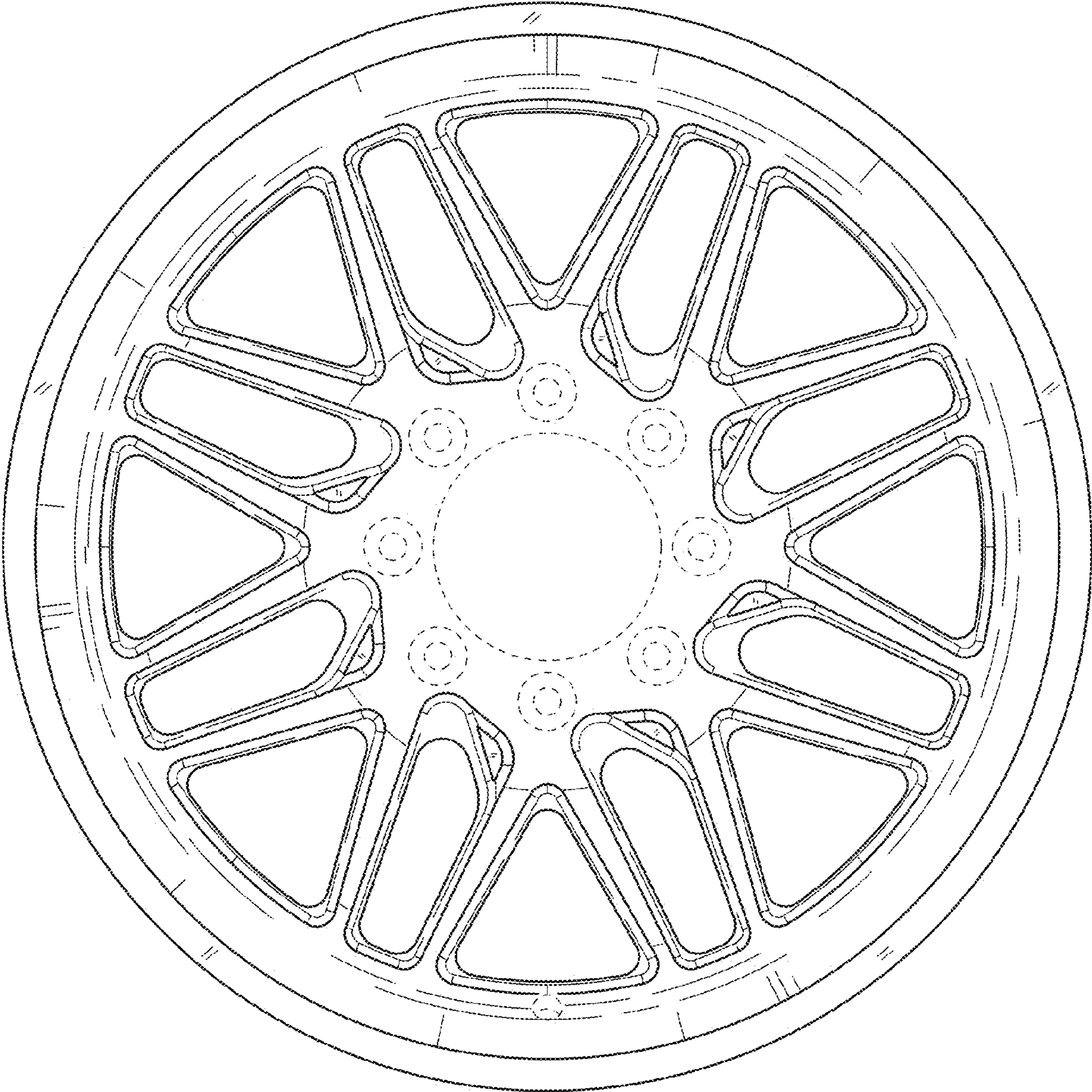


FIGURE 2