



US00D929288S

(12) **United States Design Patent**
Jonason et al.

(10) **Patent No.:** **US D929,288 S**

(45) **Date of Patent:** **** Aug. 31, 2021**

(54) **WHEEL**

(71) Applicants: **Laura M. Jonason**, Berkley, MI (US);
Jeffrey C. Gale, Rochester, MI (US)

(72) Inventors: **Laura M. Jonason**, Berkley, MI (US);
Jeffrey C. Gale, Rochester, MI (US)

(73) Assignee: **FCA US LLC**, Auburn Hills, MI (US)

(**) Term: **15 Years**

(21) Appl. No.: **29/680,055**

(22) Filed: **Feb. 13, 2019**

(51) **LOC (13) Cl.** **12-16**

(52) **U.S. Cl.**
USPC **D12/209**

(58) **Field of Classification Search**

USPC D12/204–213; D21/563
CPC B60B 7/00; B60B 7/02; B60B 7/04; B60B
7/01; B60B 7/06; B60B 3/02; B60B 3/04;
B60B 3/06; B60B 3/10; B60B 1/00;
B60B 1/08; B60B 1/10; B60B 1/12
See application file for complete search history.

(56) **References Cited**

U.S. PATENT DOCUMENTS

D426,184 S *	6/2000	Goplen	D12/209
D515,491 S *	2/2006	Elmitt	D12/209
D522,949 S *	6/2006	Elmitt	D12/211
D544,823 S *	6/2007	Hieke	D12/211
D582,330 S *	12/2008	Hieke	D12/209
D596,549 S *	7/2009	Varga	D12/211
D614,108 S *	4/2010	Varga	D12/211
D615,018 S *	5/2010	Truebsbach	D12/211
D649,104 S *	11/2011	Gallert	D12/211

D659,071 S *	5/2012	Hale, Jr.	D12/211
D666,547 S *	9/2012	Hilpert	D12/211
D666,952 S *	9/2012	Pollmann	D12/209
D688,181 S *	8/2013	Gotschke	D12/209
D780,664 S *	3/2017	Gallert	D12/211
D781,198 S *	3/2017	Owens	D12/209
D789,865 S *	6/2017	Giolito	D12/211
D803,755 S *	11/2017	Widua	D12/211
D805,457 S *	12/2017	Setter	D12/211
D808,324 S *	1/2018	Ninov	D12/211
D819,539 S *	6/2018	Badstuebner	D12/211
D824,313 S *	7/2018	Badstuebner	D12/209
D826,824 S *	8/2018	Platto	D12/209
D835,559 S *	12/2018	Langhals	D12/209
D842,196 S *	3/2019	Han	D12/209
D845,858 S *	4/2019	Chu	D12/209
D847,072 S *	4/2019	Badstuebner	D12/209
D860,906 S *	9/2019	Valencia Pollex	D12/209
D881,104 S *	4/2020	Manzoni	D12/209
D901,356 S *	11/2020	Ninov	D12/209

* cited by examiner

Primary Examiner — Stacia A Cadmus

(74) *Attorney, Agent, or Firm* — Ralph E. Smith

(57) **CLAIM**

The ornamental design for a wheel, as shown and described.

DESCRIPTION

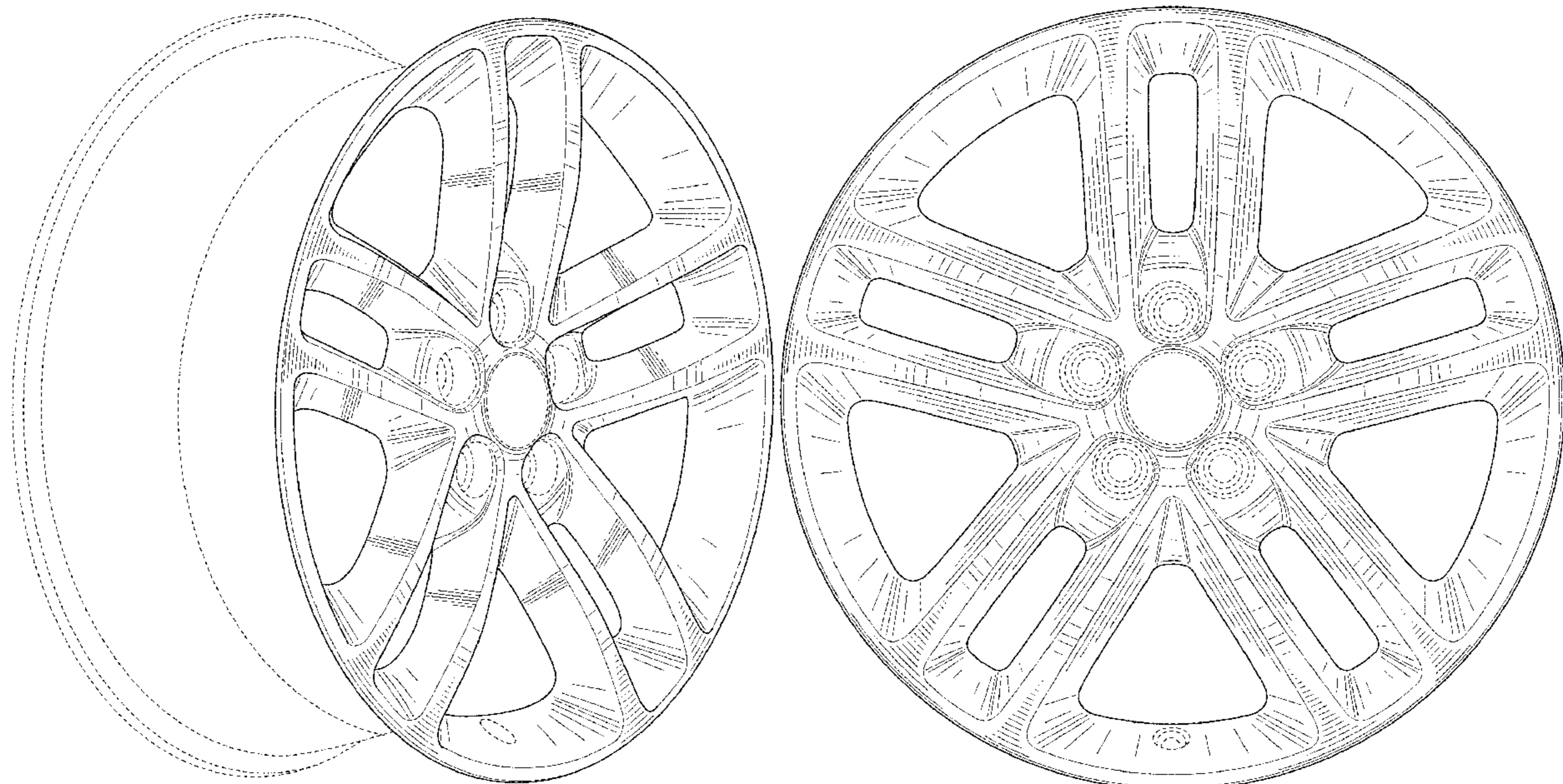
FIG. 1 is a right perspective view of a wheel showing our new design;

FIG. 2 is a left perspective view thereof; and,

FIG. 3 is a front view thereof.

It will be understood that the broken lines shown in the drawings illustrate portions of the wheel that form no part of the claimed design.

1 Claim, 3 Drawing Sheets



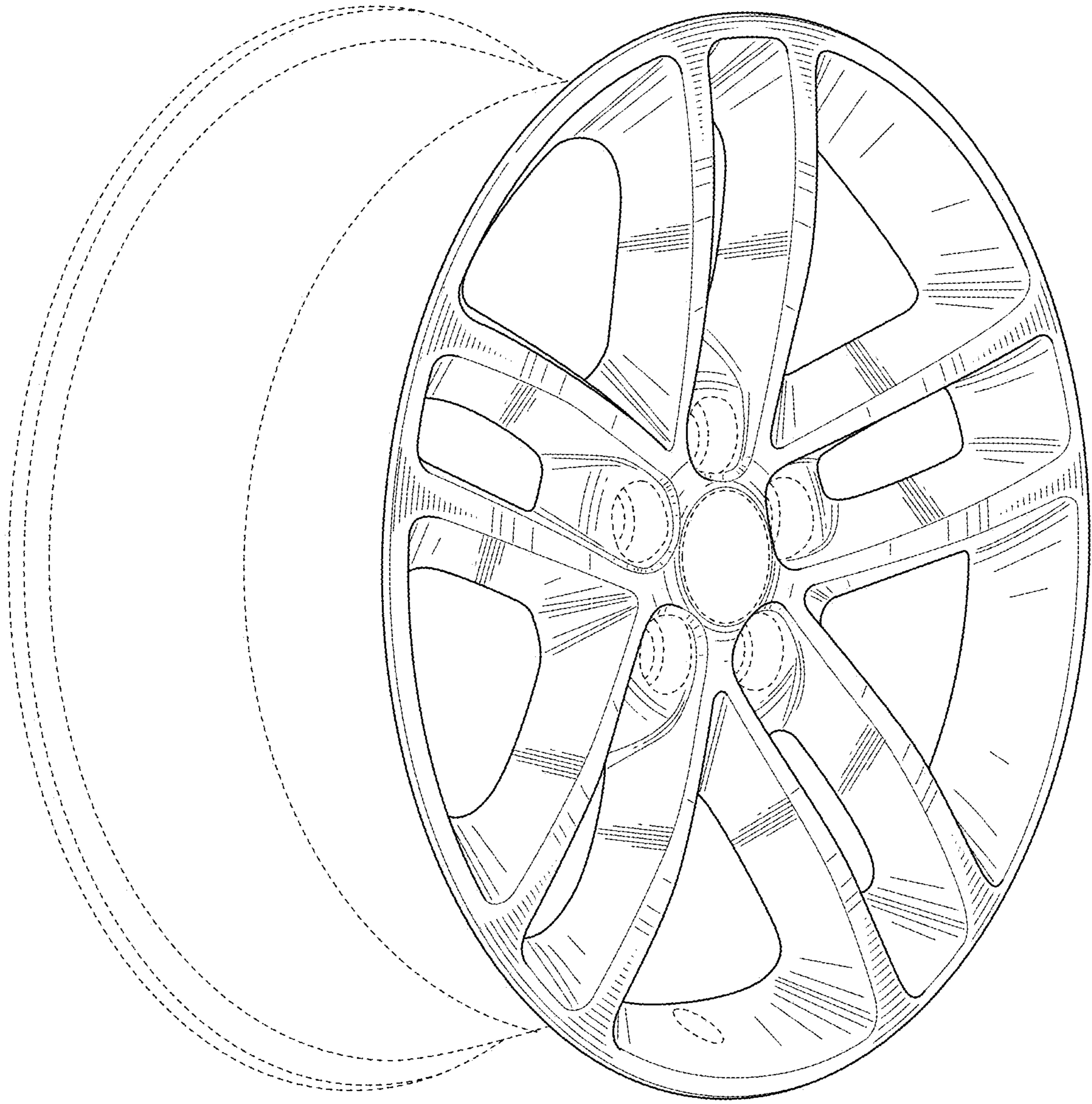


FIG. 1

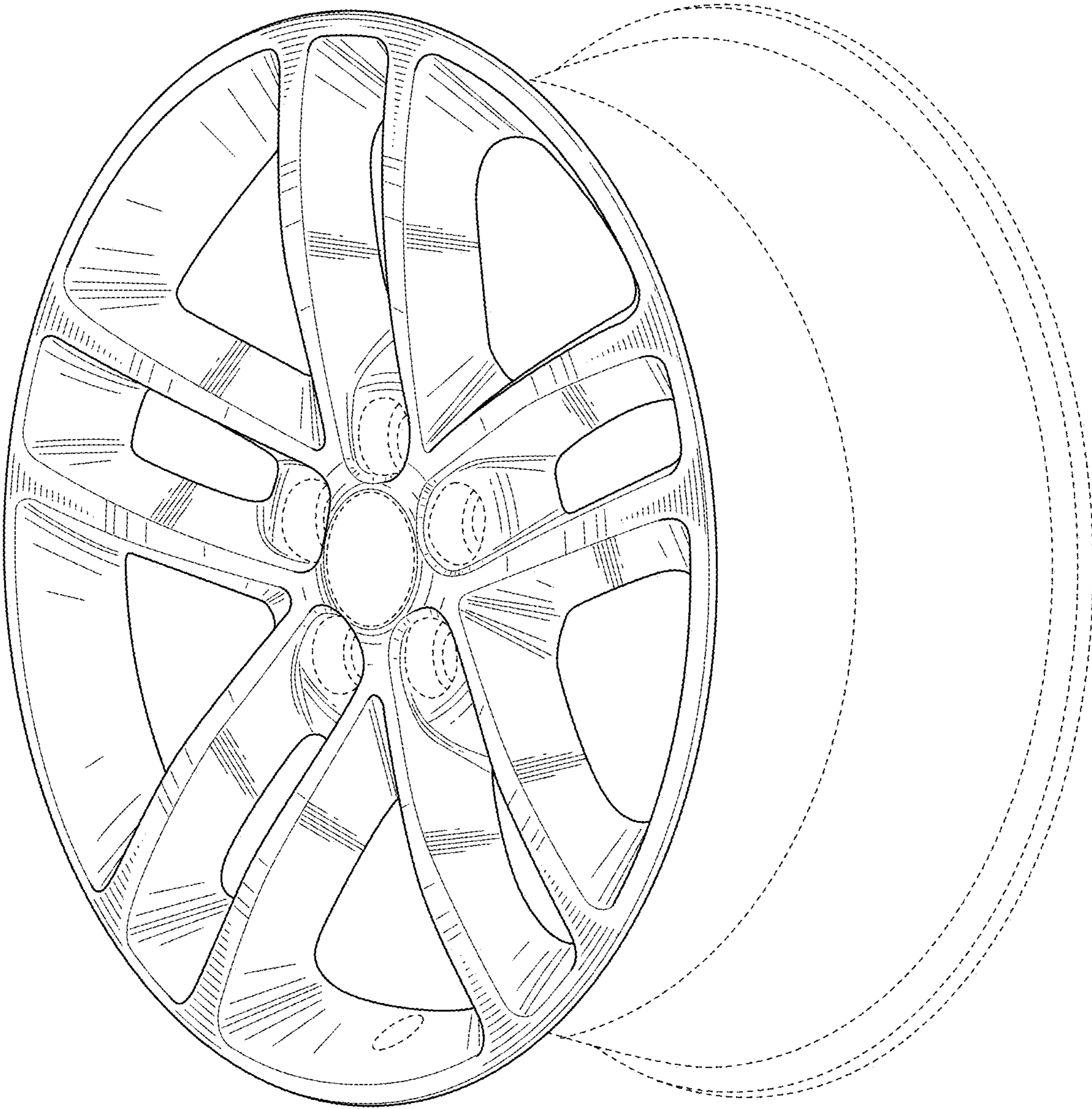


FIG. 2

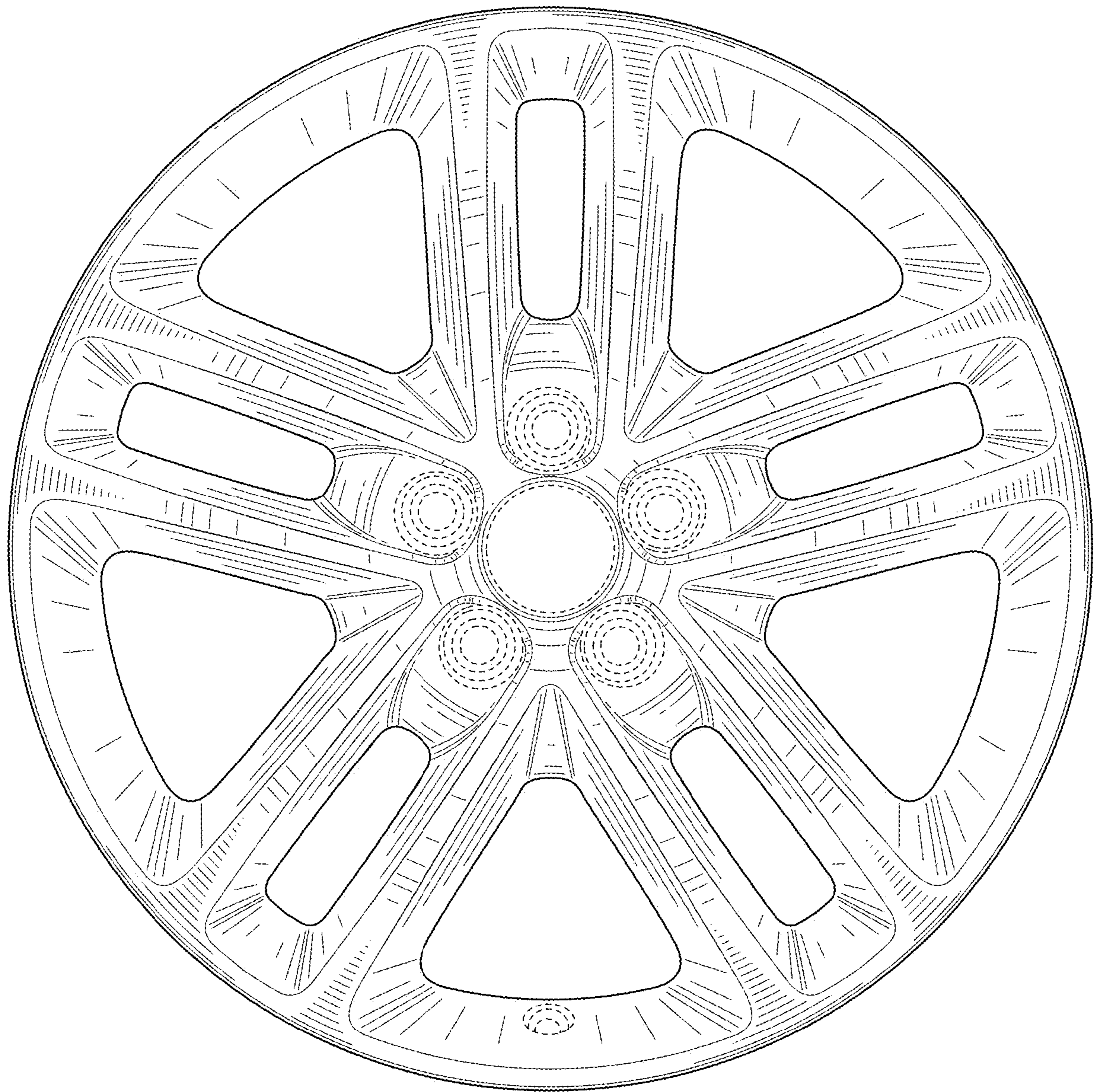


FIG. 3