



US00D929279S

(12) **United States Design Patent** (10) **Patent No.:** **US D929,279 S**  
**Woodhouse et al.** (45) **Date of Patent:** **\*\* Aug. 31, 2021**

(54) **VEHICLE FENDER**  
(71) Applicant: **Ford Global Technologies, LLC**,  
Dearborn, MI (US)  
(72) Inventors: **David Woodhouse**, Troy, MI (US);  
**Kemal Curic**, Irvine, CA (US); **Shawn**  
**Wehrly**, Northville, MI (US); **Hojoon**  
**Kang**, Novi, MI (US); **Michal**  
**Illukiewicz**, Bloomfield Hills, MI (US)  
(73) Assignee: **Ford Global Technologies, LLC**,  
Dearborn, MI (US)

D610,512 S \* 2/2010 Bucher ..... D12/184  
D615,013 S \* 5/2010 Lamm ..... D12/181  
D642,966 S \* 8/2011 Messale ..... D12/181  
D669,405 S \* 10/2012 Gifford ..... D12/184  
D680,927 S \* 4/2013 Messale ..... D12/184  
D686,125 S \* 7/2013 McCabe ..... D12/184  
D695,172 S \* 12/2013 Kavaja ..... D12/184  
D704,607 S \* 5/2014 Thurber ..... D12/184  
D722,930 S \* 2/2015 George ..... D12/184  
D740,188 S 10/2015 Blanski et al.  
D746,193 S \* 12/2015 Glover ..... D12/184  
D746,743 S \* 1/2016 Behmer ..... D12/184  
D749,478 S \* 2/2016 Battams ..... D12/184

(Continued)

(\*\*) Term: **15 Years**  
(21) Appl. No.: **29/708,730**  
(22) Filed: **Oct. 9, 2019**  
(51) **LOC (13) Cl.** ..... **12-16**  
(52) **U.S. Cl.**  
USPC ..... **D12/184**  
(58) **Field of Classification Search**  
USPC ... D12/1, 14, 82, 85, 86, 88, 89, 90, 91, 92,  
D12/93, 96, 97, 98, 99, 164, 167, 169,  
D12/170, 171, 172, 173, 181, 184, 185,  
D12/190, 192, 196, 400; D21/533, 548,  
D21/552, 561  
CPC ..... B62D 25/02; B62D 25/04; B62D 25/16;  
B62D 25/18; B62D 25/161; B62D  
25/168; B62D 25/182; B60J 5/00; B60J  
5/02; B60J 5/04; B60J 5/10; B60R 19/00  
See application file for complete search history.

(56) **References Cited**  
U.S. PATENT DOCUMENTS  
D507,514 S \* 7/2005 Nagura ..... D12/184  
D536,648 S \* 2/2007 Fujimaki ..... D12/184  
D580,327 S \* 11/2008 Lamm ..... D12/184  
D598,347 S \* 8/2009 Mattin ..... D12/184  
D600,614 S \* 9/2009 Lamm ..... D12/184

**OTHER PUBLICATIONS**

2021 Lincoln Corsair Grand Touring Plug-In Hybrd, Published date unavailable [online], [retrieved on May 16, 2021]. Retrieved from the Internet: [https://www.caricos.com/cars/1/lincoln/2021\\_lincoln\\_corsain\\_grand\\_touring/images/4.html](https://www.caricos.com/cars/1/lincoln/2021_lincoln_corsain_grand_touring/images/4.html) (Year: 2021).\*

*Primary Examiner* — Christian P. McLean  
*Assistant Examiner* — Adam C Mager  
(74) *Attorney, Agent, or Firm* — Michael Spenner

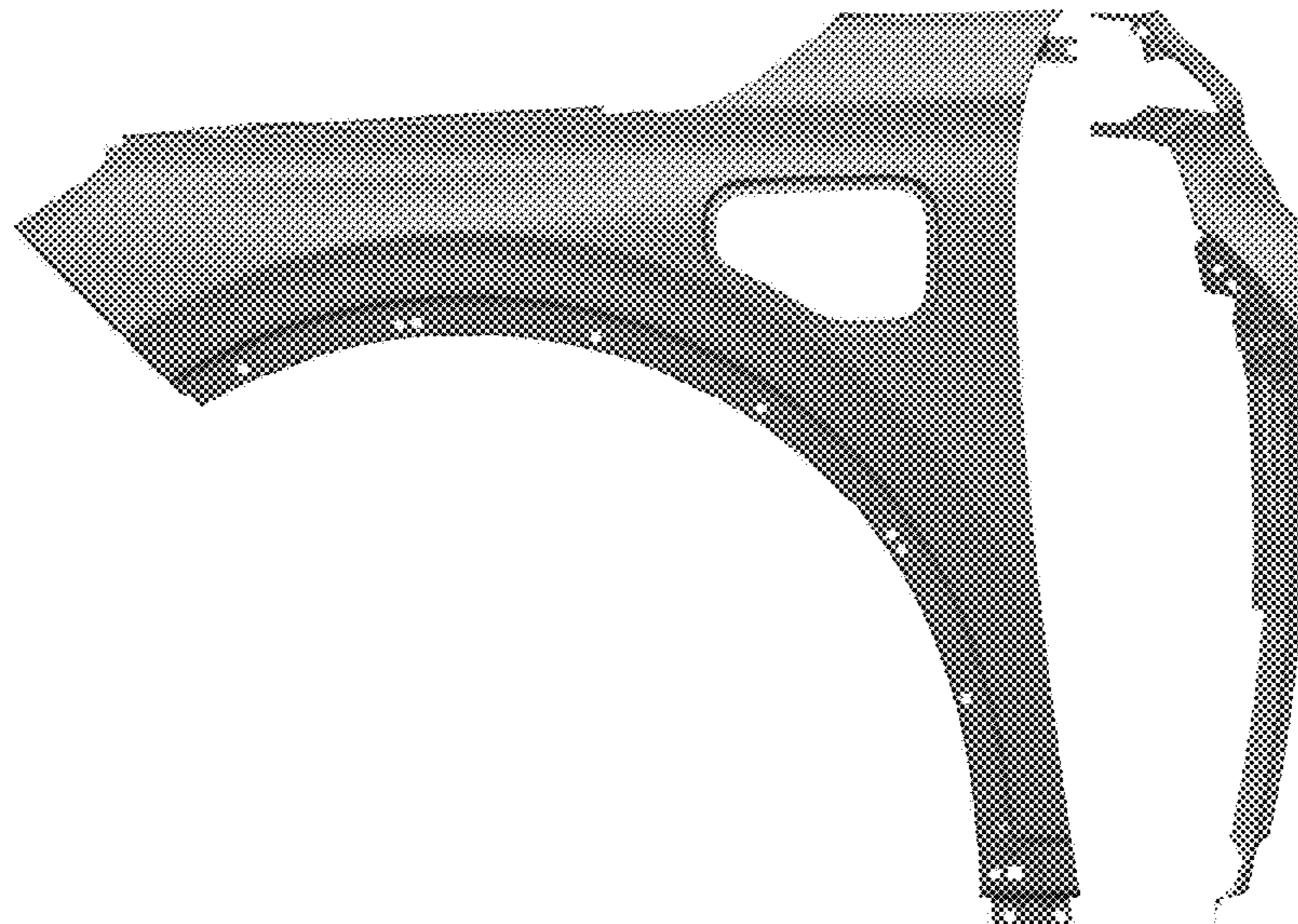
(57) **CLAIM**

The ornamental design for a vehicle fender, as shown and described.

**DESCRIPTION**

FIG. 1 is a front elevational view of a vehicle fender, showing our new design;  
FIG. 2 is a left side elevational view thereof;  
FIG. 3 is a right side elevational view thereof;  
FIG. 4 is a top plan view thereof;  
FIG. 5 is a bottom plan view thereof;  
FIG. 6 is a top, front, and left side perspective view thereof;  
and,  
FIG. 7 is a top, rear, and left side perspective view thereof.

**1 Claim, 7 Drawing Sheets**



(56)

**References Cited**

## U.S. PATENT DOCUMENTS

D756,278	S	*	5/2016	Ino	.....	D12/184
D764,362	S	*	8/2016	Pevovar	.....	D12/184
D766,149	S	*	9/2016	Kim	.....	D12/184
D775,031	S	*	12/2016	Frascella	.....	D12/184
D781,192	S	*	3/2017	Kozub	.....	D12/196
D797,623	S	*	9/2017	Kim	.....	D12/184
D797,625	S	*	9/2017	Perkins	.....	D12/184
D827,528	S	*	9/2018	Gueler	.....	D12/184
D832,753	S	*	11/2018	Razaghi	.....	D12/184
D854,990	S	*	7/2019	Smock	.....	D12/184
D855,518	S	*	8/2019	Whitla	.....	D12/184
D855,521	S	*	8/2019	Greuer	.....	D12/184
D859,246	S	*	9/2019	Thurber	.....	D12/181
D873,742	S	*	1/2020	Toriyama	.....	D12/184
D878,261	S	*	3/2020	Woodhouse	.....	D12/184
D881,092	S	*	4/2020	Tonello	.....	D12/184
D885,273	S	*	5/2020	Woodhouse	.....	D12/181
D899,982	S	*	10/2020	Metros	.....	D12/181
D899,983	S	*	10/2020	Metros	.....	D12/181
2018/0251083	A1	*	9/2018	Zentgraf	.....	B60R 13/04
2018/0281041	A1	*	10/2018	Davis	.....	B21D 24/005

\* cited by examiner



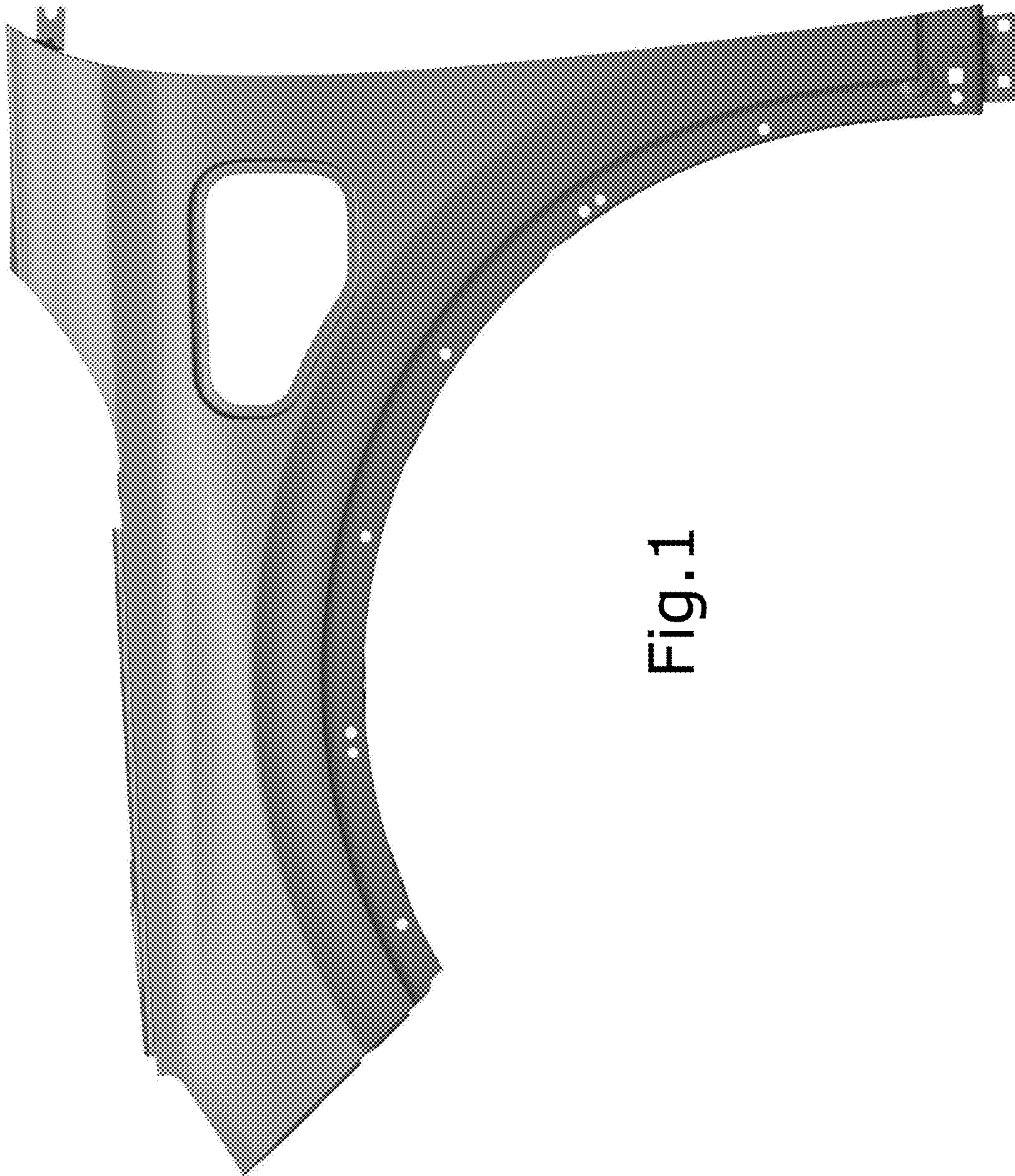


Fig.1

Fig. 2



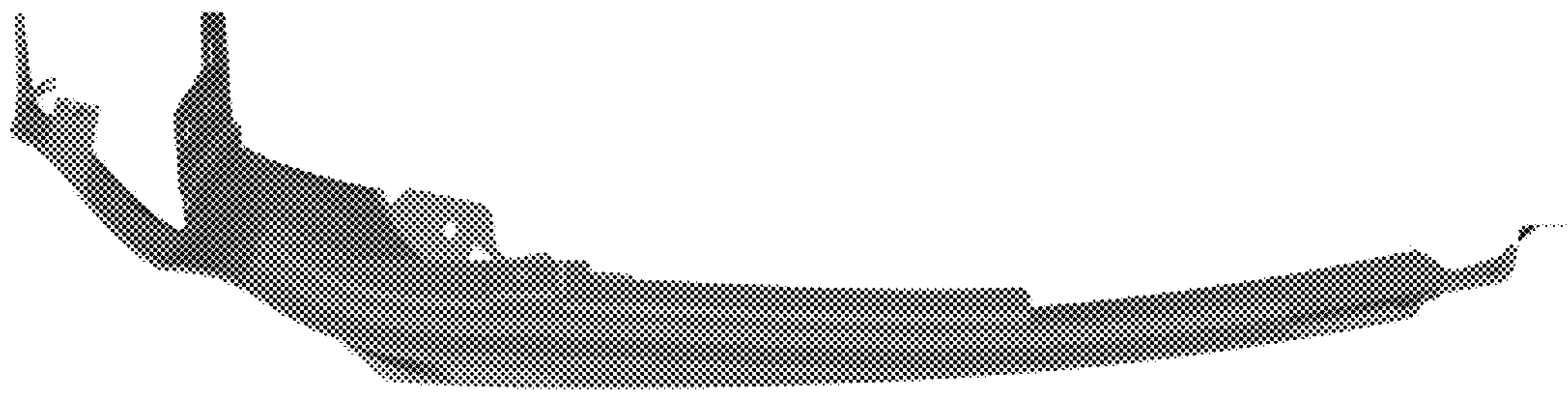


Fig. 3



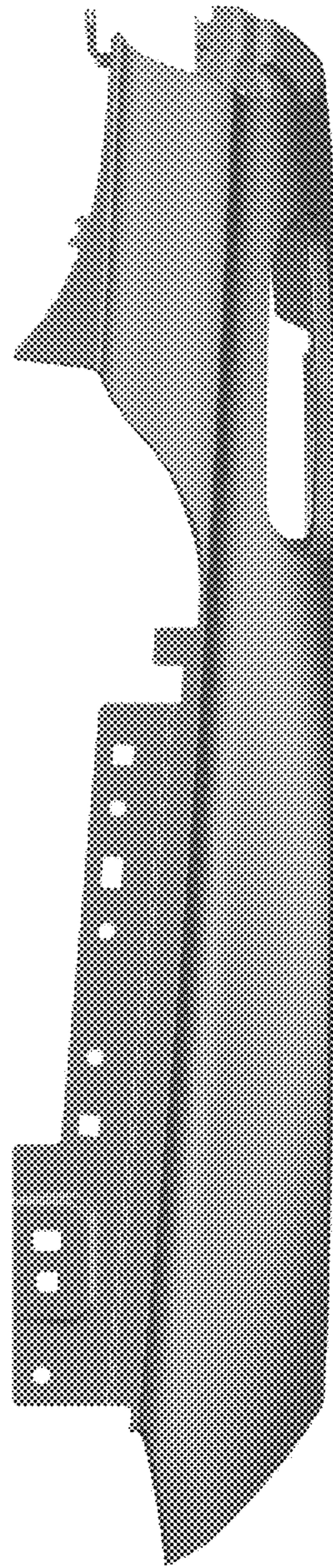


Fig.4

Fig. 5

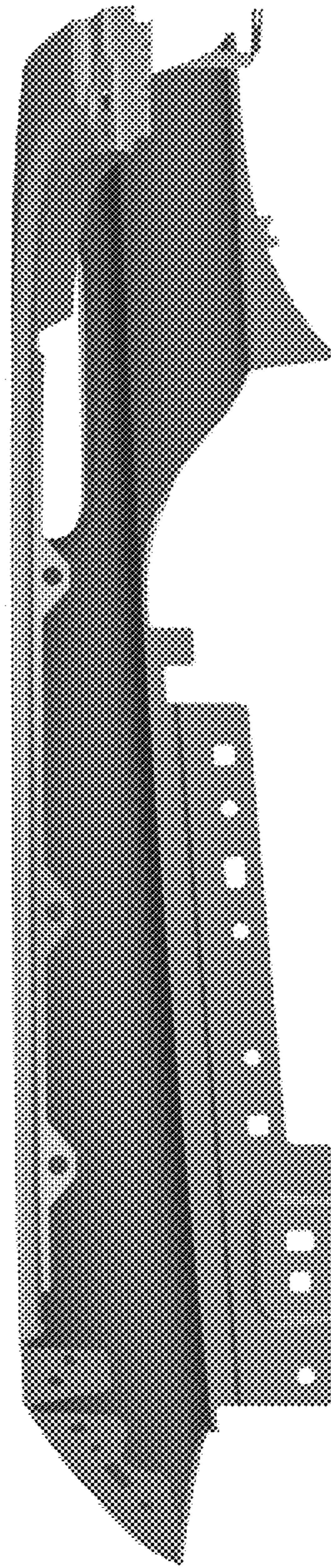






Fig. 6



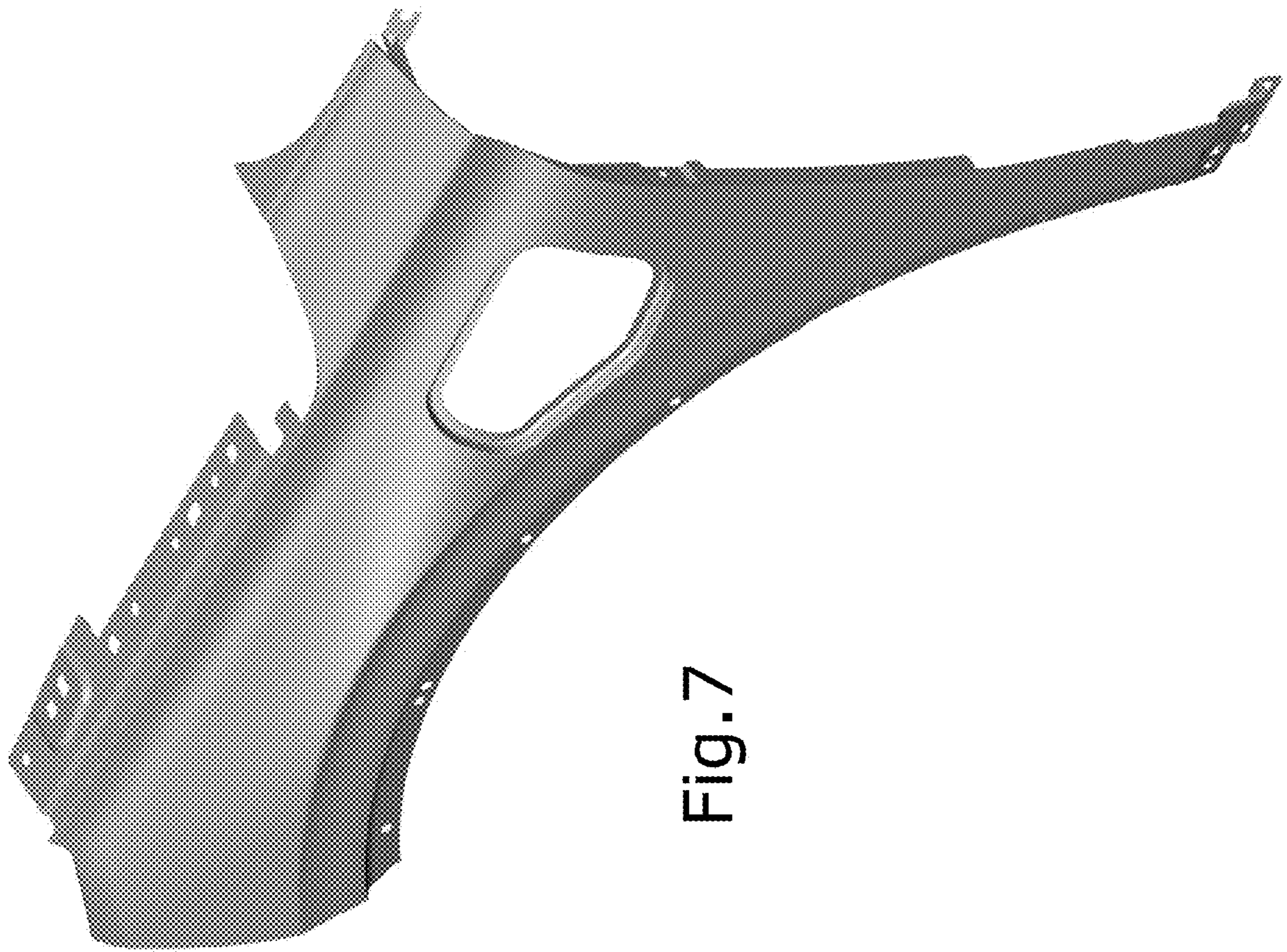


Fig. 7