



US00D929272S

(12) **United States Design Patent** (10) **Patent No.:** **US D929,272 S**
Yudin (45) **Date of Patent:** **** Aug. 31, 2021**

(54) **PART OF A WHEELCHAIR FRAME**

(71) Applicant: **Supreme Motors Limited Liability Company, Moscow (RU)**

(72) Inventor: **Nikolaj Yudin, Moscow (RU)**

(**) Term: **15 Years**

(21) Appl. No.: **35/508,526**

(22) Filed: **Aug. 23, 2019**

(80) **Hague Agreement Data**

Int. Filing Date: **Aug. 23, 2019**

Int. Reg. No.: **DM/205576**

Int. Reg. Date: **Aug. 23, 2019**

Int. Reg. Pub. Date: **Feb. 7, 2020**

(30) **Foreign Application Priority Data**

Feb. 26, 2019 (RU) RU2019500735

(51) **LOC (13) Cl.** **12-12**

(52) **U.S. Cl.**
USPC **D12/133**

(58) **Field of Classification Search**
USPC D21/423; D12/128, 133
CPC B62K 3/002; B62K 13/00; B62K 5/025
See application file for complete search history.

(56) **References Cited**

U.S. PATENT DOCUMENTS

7,699,130 B2 * 4/2010 Palmer B62K 3/002
180/180
D871,510 S * 12/2019 Martisaukas D21/423

D874,350 S * 2/2020 Jin D12/128
10,737,738 B2 * 8/2020 Fan B62K 3/002
10,822,046 B2 * 11/2020 Huang B62K 13/00
2007/0114087 A1 * 5/2007 Chiu B62K 5/025
180/208

* cited by examiner

Primary Examiner — George D. Kirschbaum

(74) *Attorney, Agent, or Firm* — Nixon & Vanderhye PC

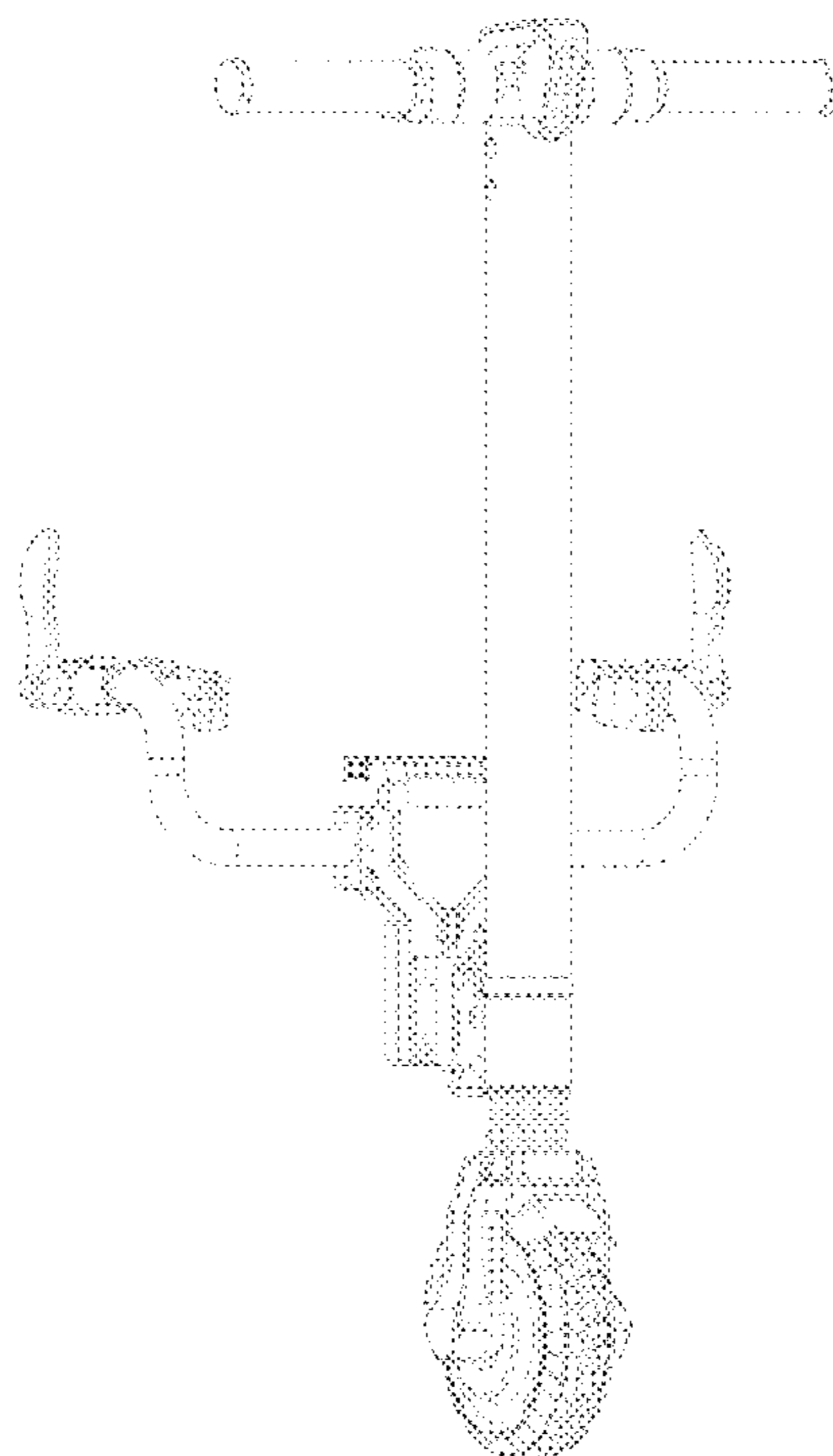
(57) **CLAIM**

The ornamental design for a part of a wheelchair frame, as shown and described.

DESCRIPTION

Fig. 1.1 is a perspective view of a part of a wheelchair frame showing my new design;
Fig. 1.2 is a top plan view thereof;
Fig. 1.3 is a bottom plan view thereof;
Fig. 1.4 is a front view thereof;
Fig. 1.5 is a rear view thereof;
Fig. 1.6 is a perspective view thereof, showing the part of a wheelchair frame in use;
Fig. 1.7 is a right side view thereof; and
Fig. 1.8 is a left side view thereof.
The broken line showing is included for the purpose of illustrating portions of the “article” and forms no part of the claimed design.

1 Claim, 8 Drawing Sheets



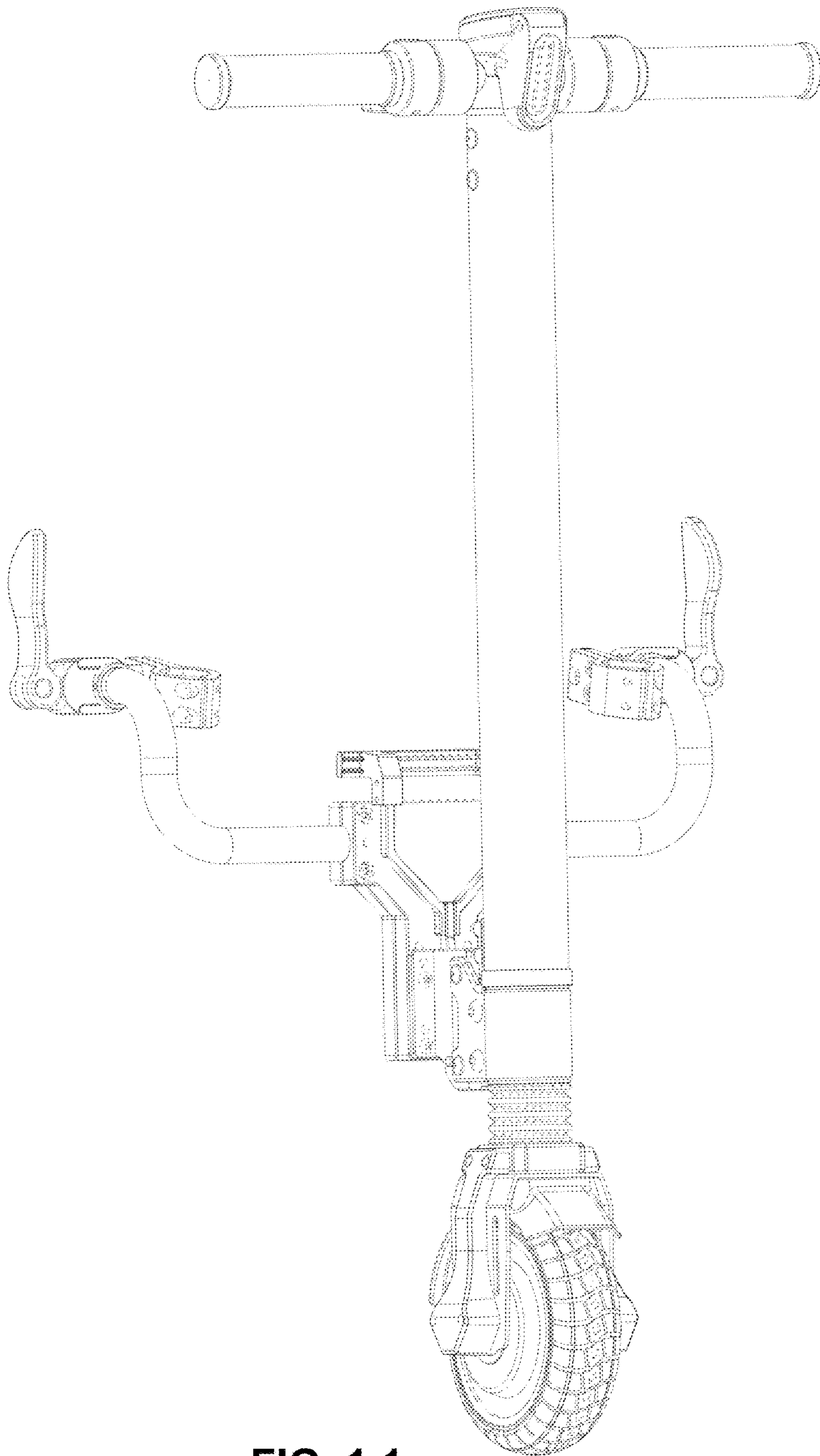


FIG. 1.1

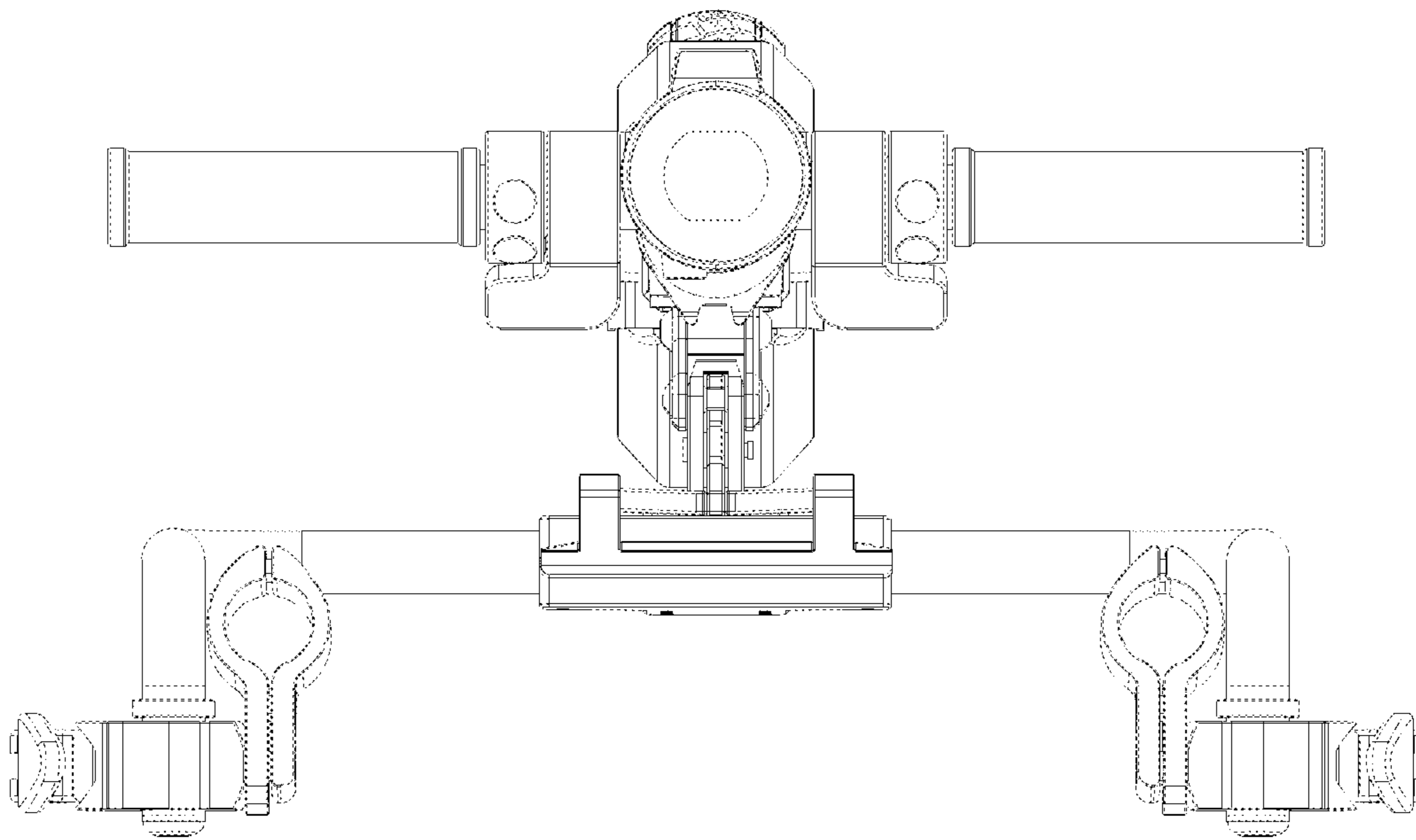


FIG. 1.2

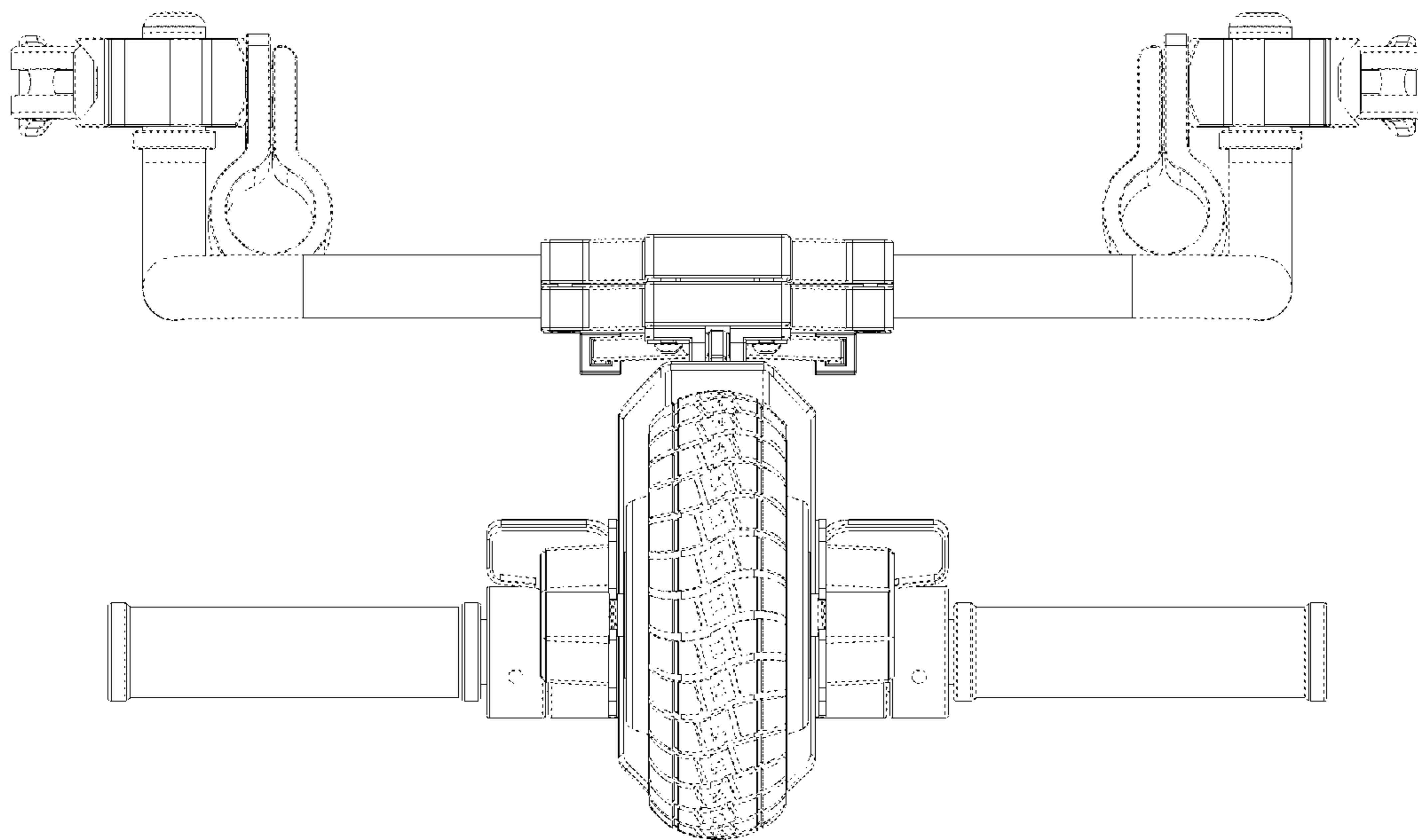
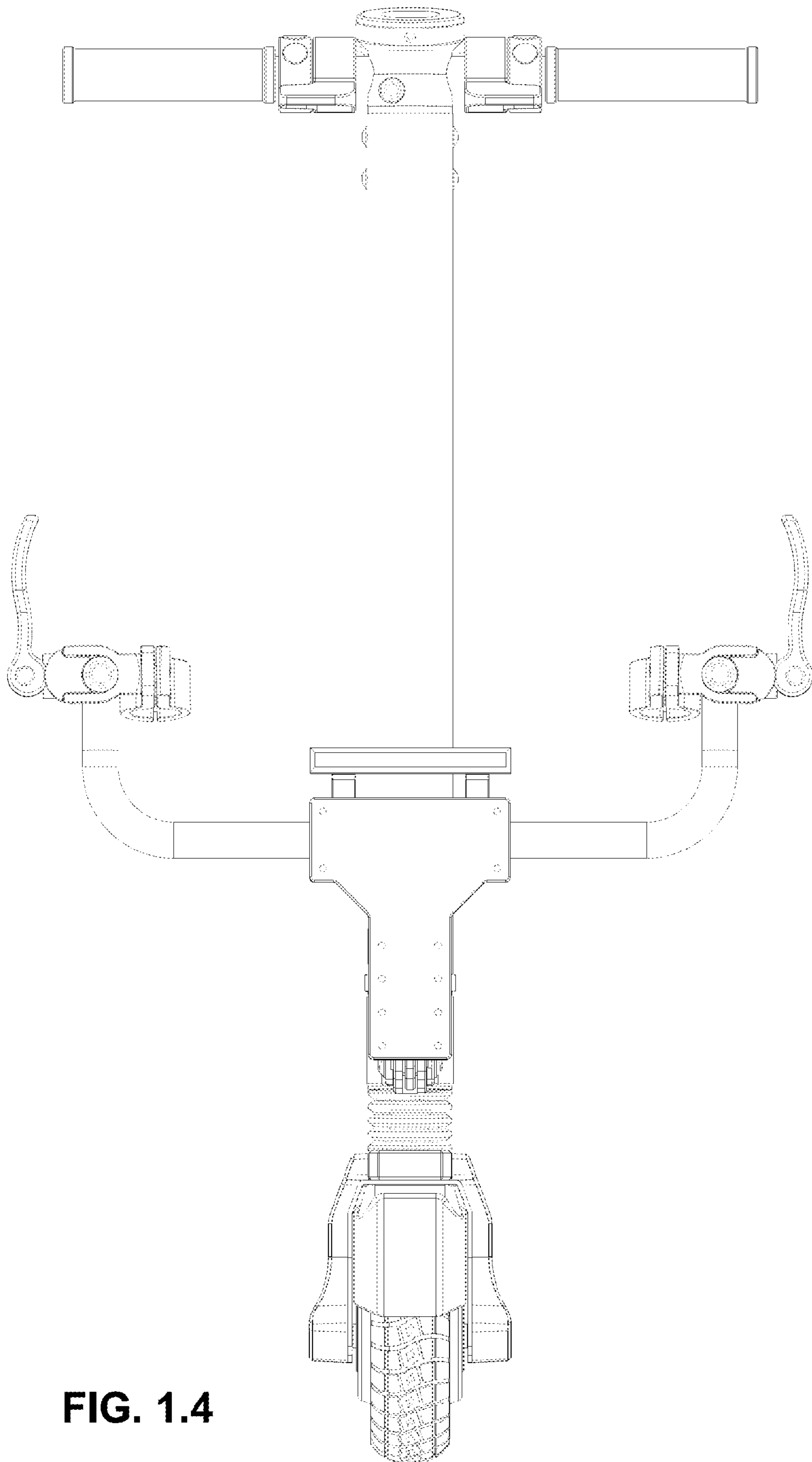


FIG 1.3



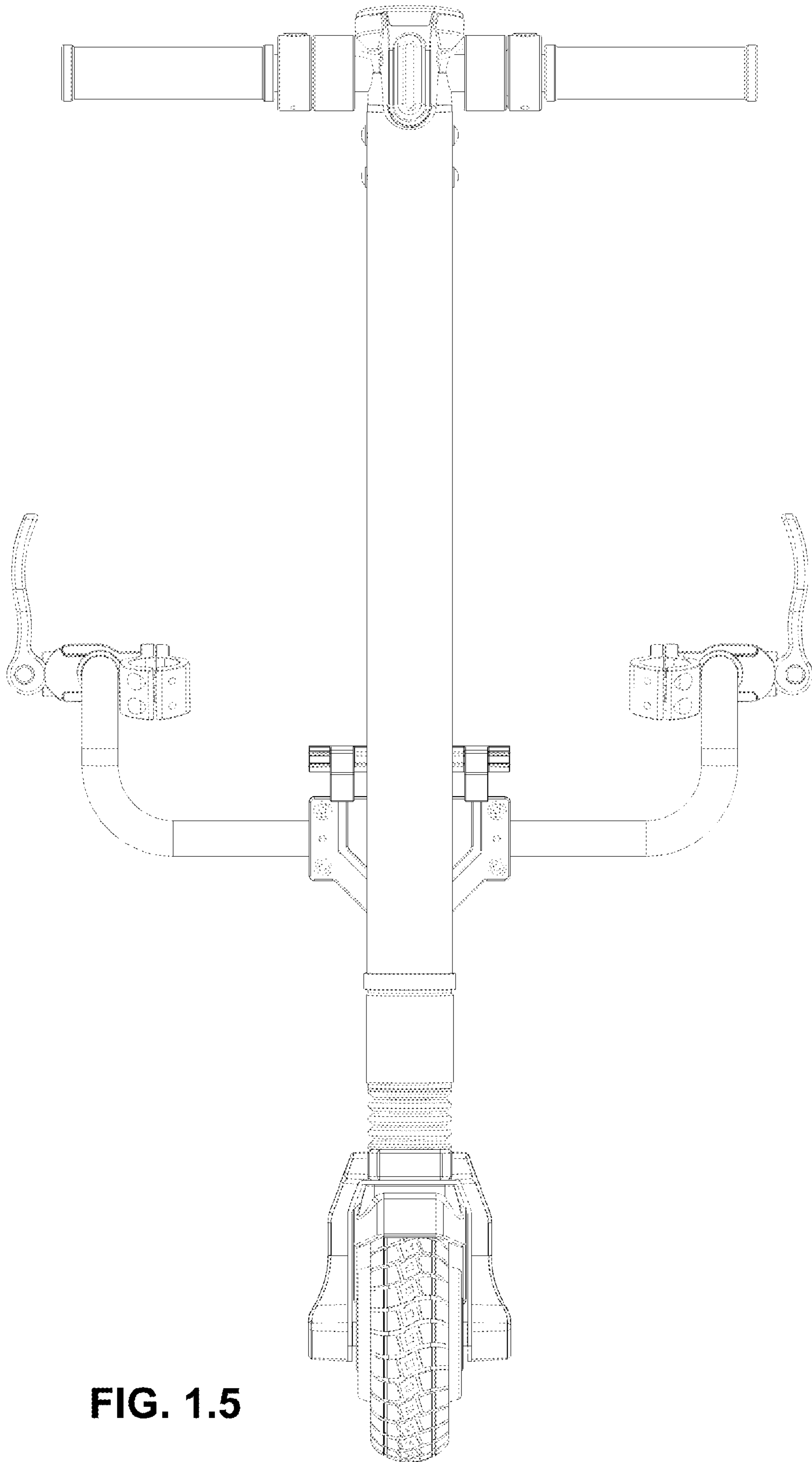


FIG. 1.5

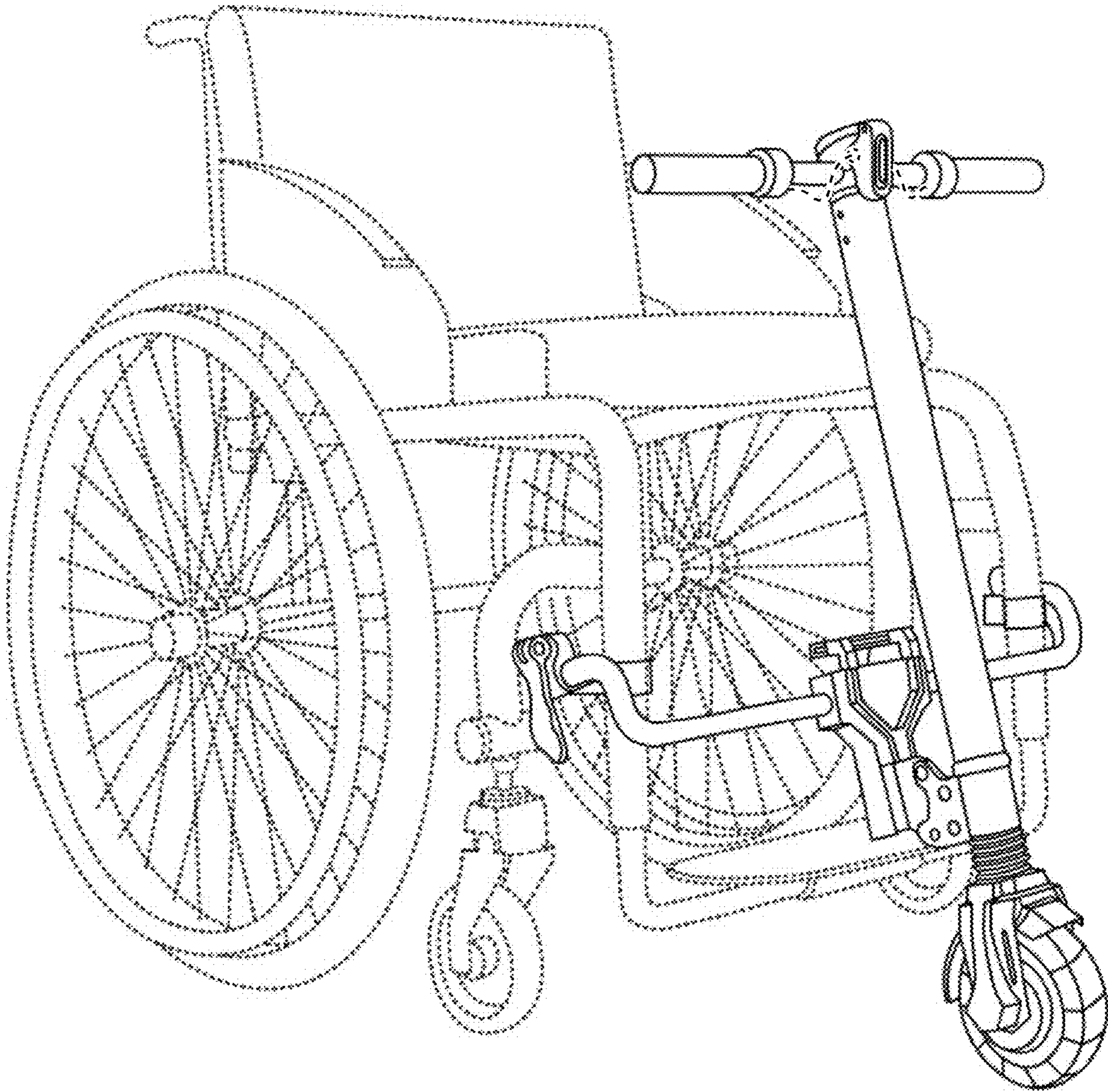


FIG. 1.6

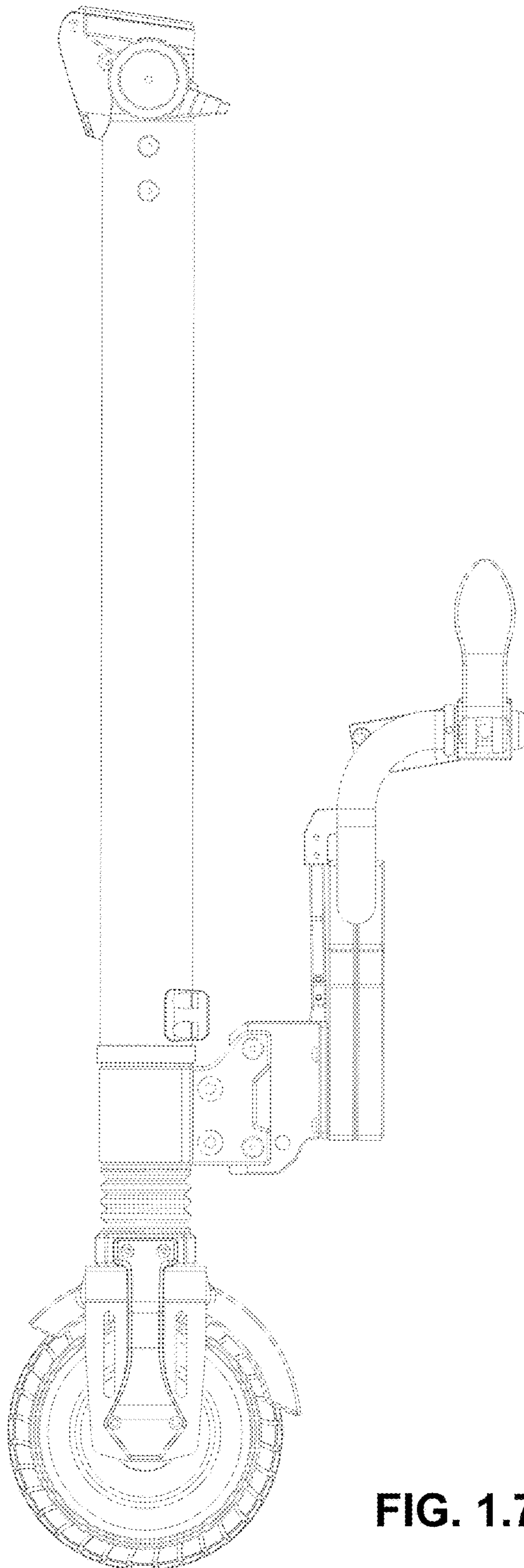


FIG. 1.7

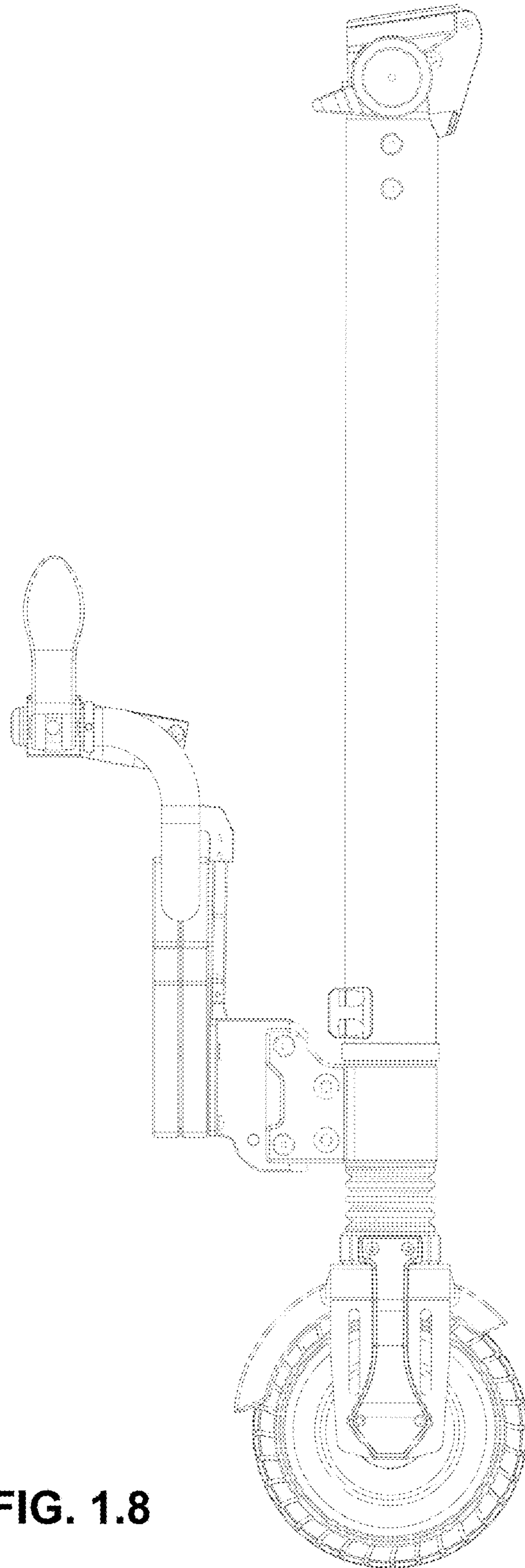


FIG. 1.8