



US00D929271S

(12) **United States Design Patent**
Fanelli

(10) **Patent No.:** **US D929,271 S**
(45) **Date of Patent:** **** Aug. 31, 2021**

- (54) **STROLLER HANDLES**
- (71) Applicant: **Jay M Fanelli**, Lafayette, CA (US)
- (72) Inventor: **Jay M Fanelli**, Lafayette, CA (US)
- (**) Term: **15 Years**
- (21) Appl. No.: **29/713,528**
- (22) Filed: **Nov. 15, 2019**
- (51) **LOC (13) Cl.** **12-12**
- (52) **U.S. Cl.**
USPC **D12/133**
- (58) **Field of Classification Search**
USPC D12/129-133
CPC B62B 7/00-04; B62B 9/00-28
See application file for complete search history.

2015/0183451 A1* 7/2015 Stierli B62B 9/206
16/111.1

* cited by examiner

Primary Examiner — Charles D Hanson
(74) *Attorney, Agent, or Firm* — Nwamu, PC

(57) **CLAIM**

The ornamental design for stroller handles, as shown and described.

DESCRIPTION

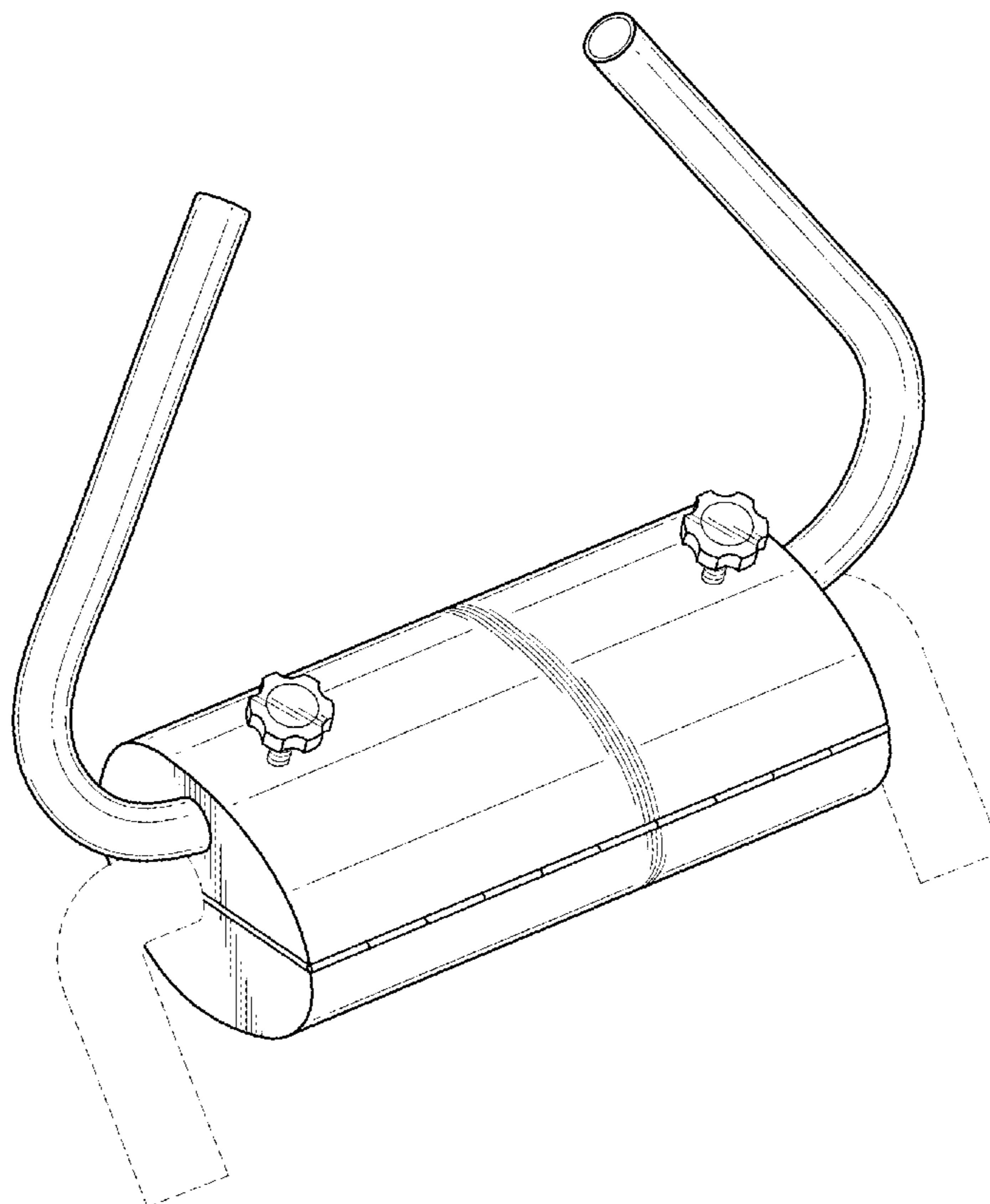
FIG. 1 is a top front perspective view of my new design for stroller handles.
 FIG. 2 is a front plan view of my new design for stroller handles.
 FIG. 3 is a back plan view of my new design for stroller handles.
 FIG. 4 is a left side plan view of my new design for stroller handles.
 FIG. 5 is a right side plan view of my new design for stroller handles.
 FIG. 6 is a top plan view of my new design for stroller handles; and,
 FIG. 7 is a bottom plan view of my new design for stroller handles.
 The dashed broken lines are for the purpose of illustrating portions of my stroller handles and form no part of the claimed design.

(56) **References Cited**

U.S. PATENT DOCUMENTS

- D705,134 S * 5/2014 Childs D12/133
- D720,666 S * 1/2015 Farmer D12/133
- 9,266,550 B1 * 2/2016 Shah B62B 9/20
- D818,883 S * 5/2018 Lundh D12/133
- 2003/0132614 A1 * 7/2003 Kreamer A63B 69/0028
280/655.1
- 2005/0246861 A1 * 11/2005 Monrad B62B 9/20
16/110.1
- 2009/0127810 A1 * 5/2009 Dotsey B60N 2/2845
280/47.371

1 Claim, 5 Drawing Sheets



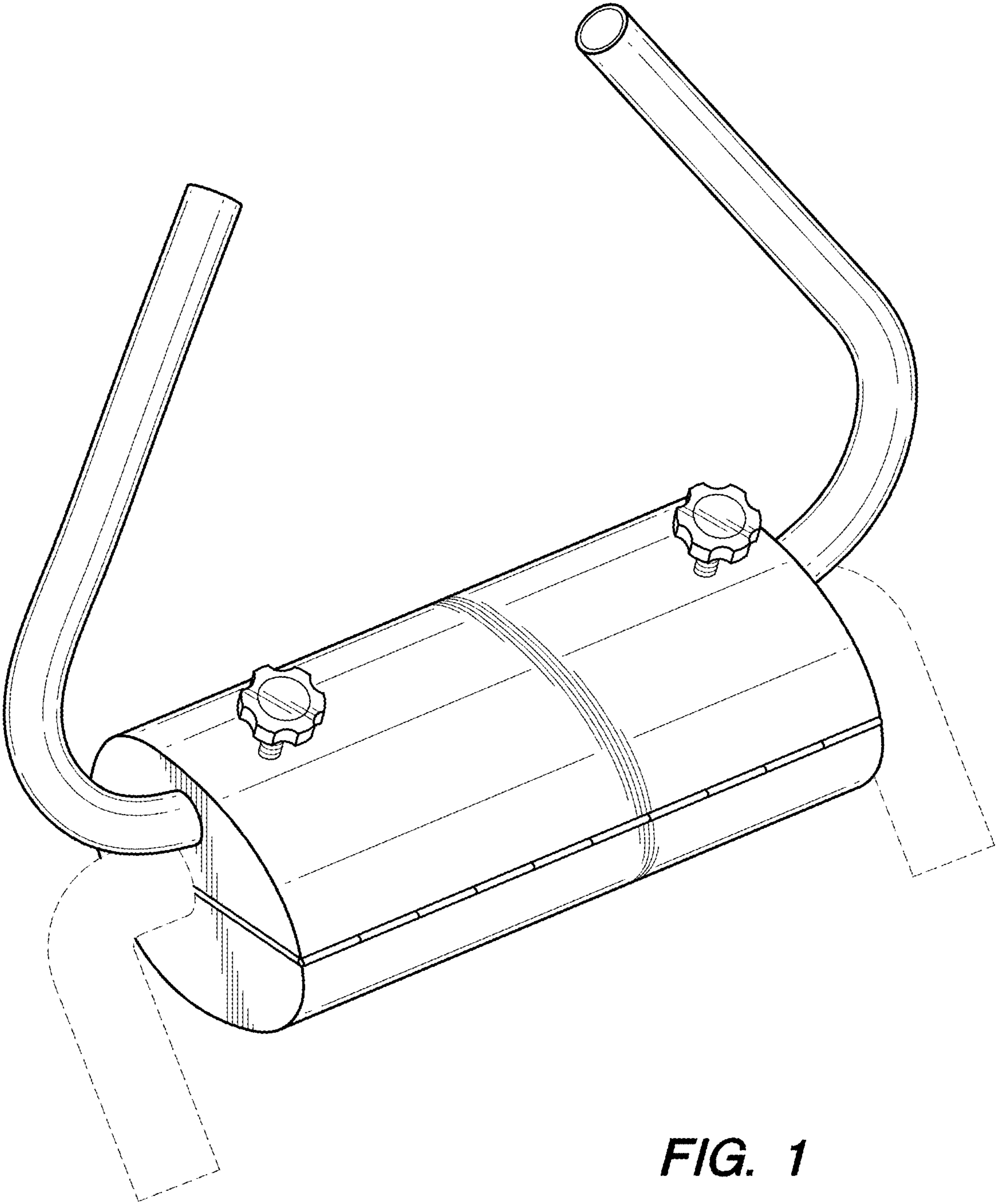


FIG. 1

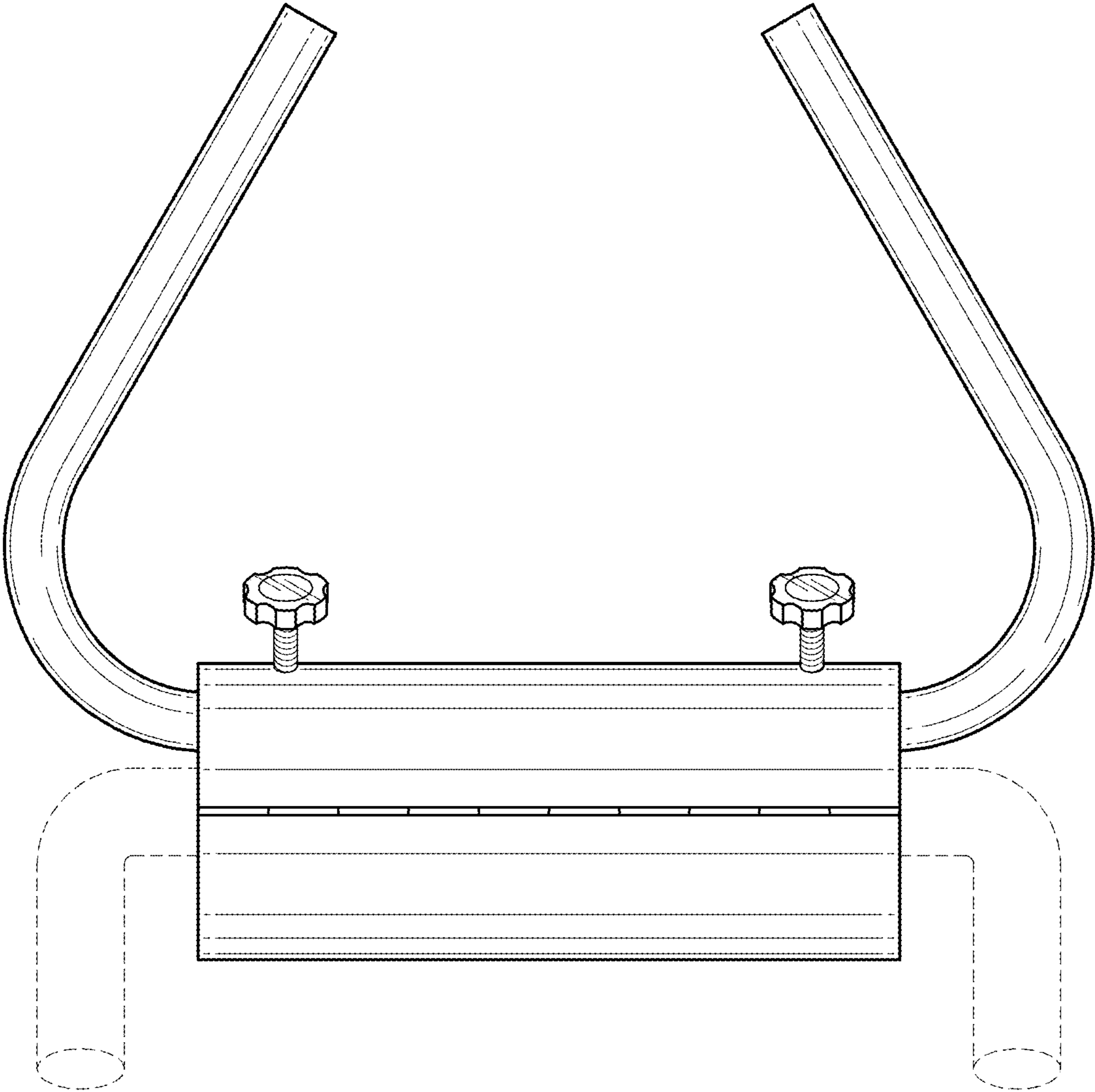


FIG. 2

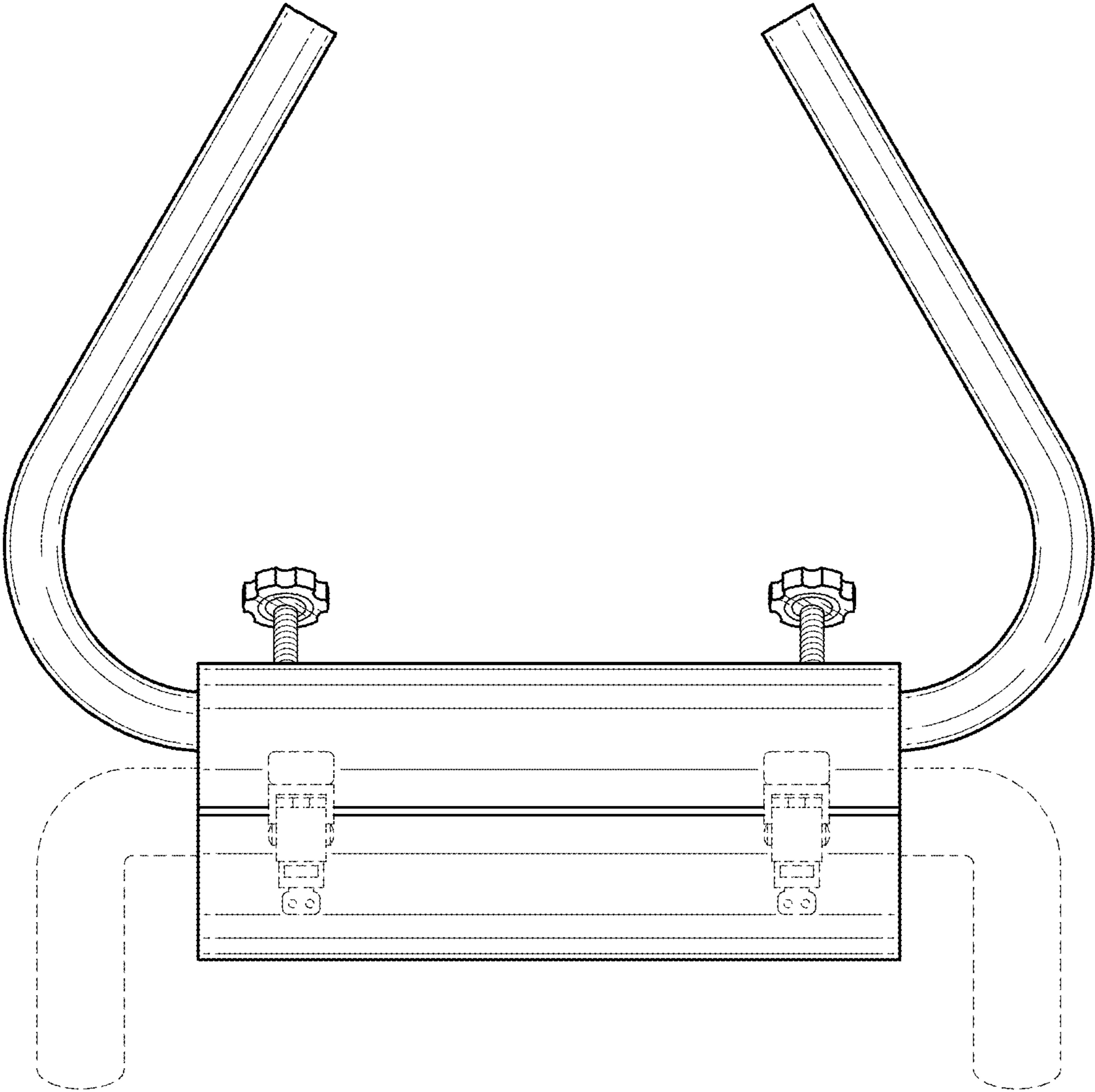


FIG. 3

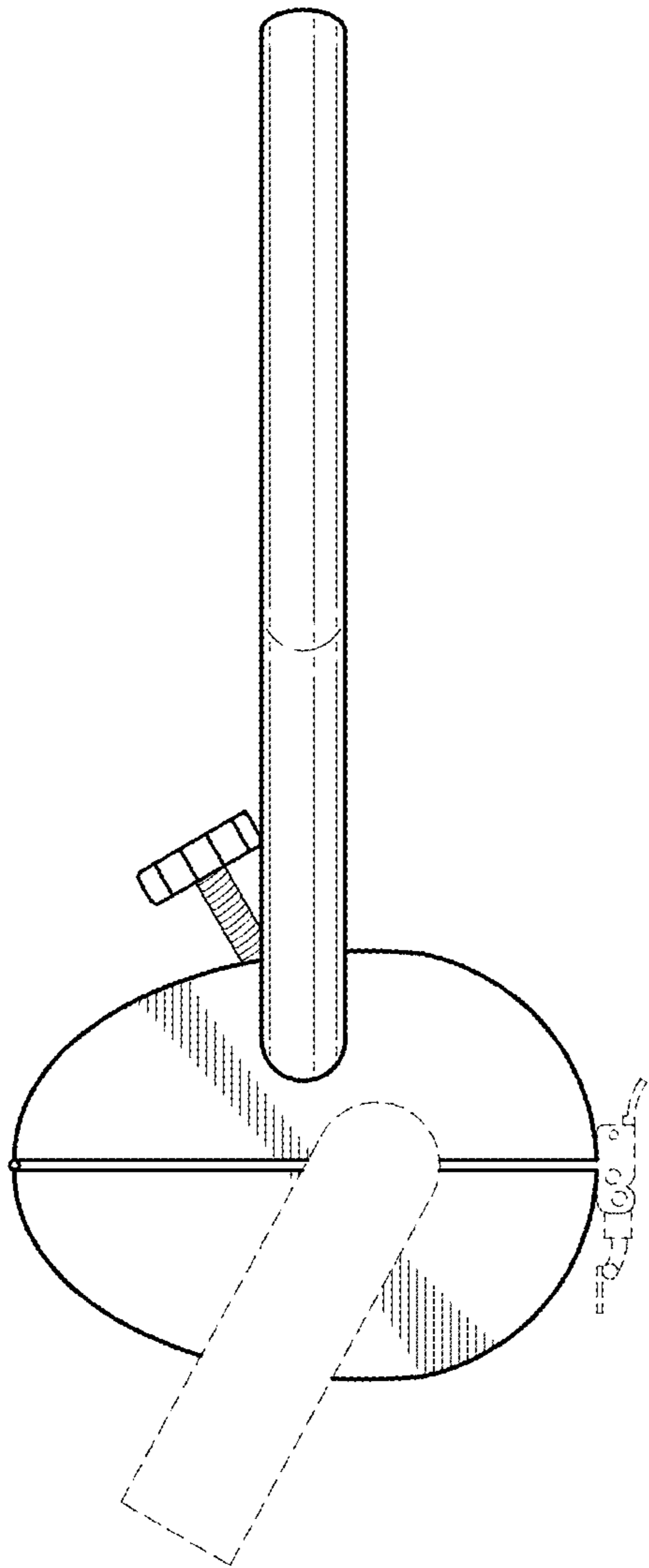


FIG. 4

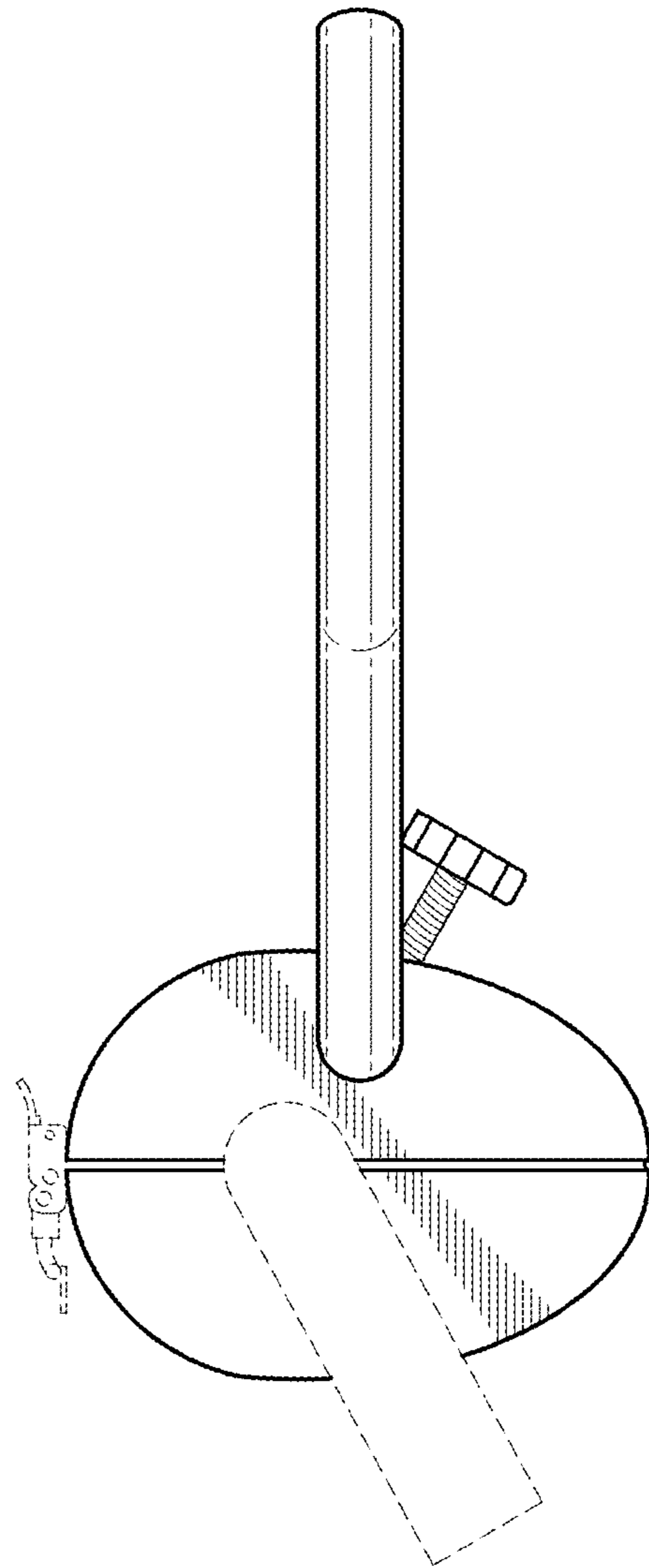


FIG. 5

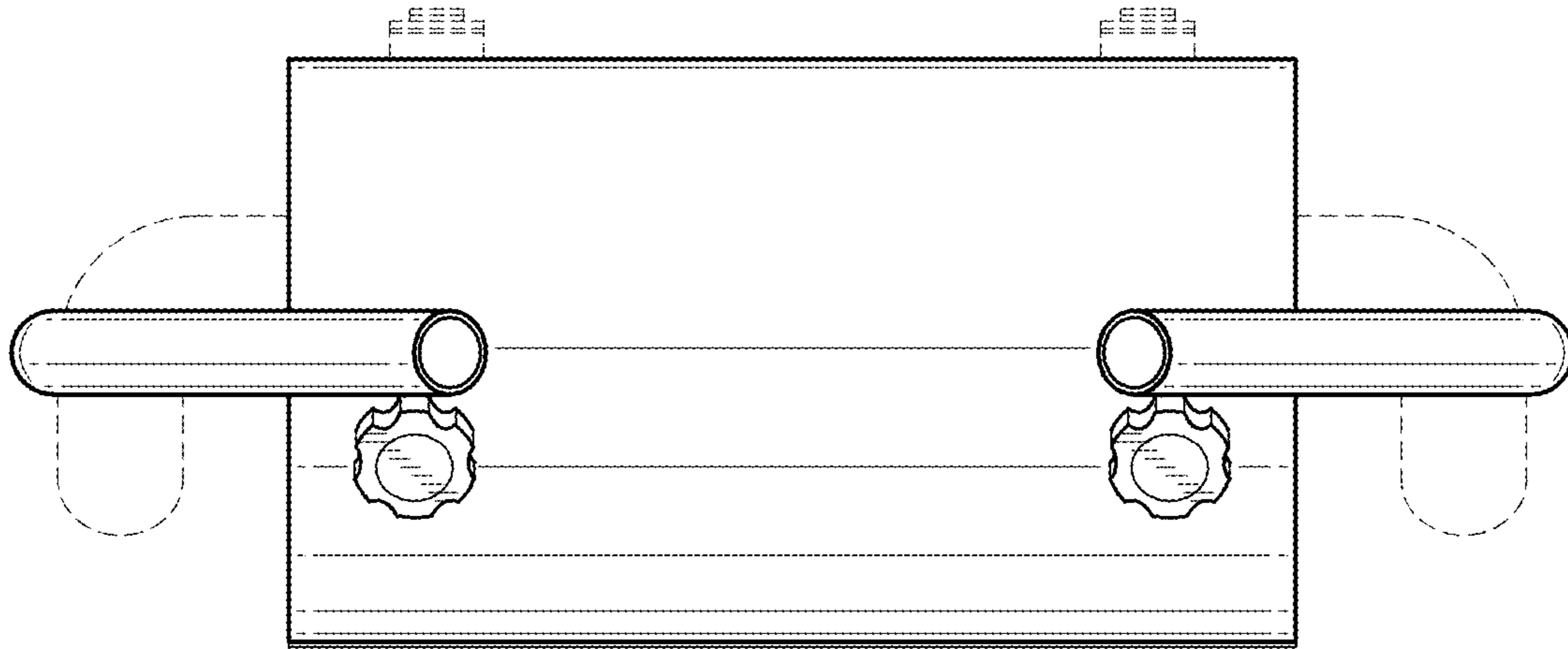


FIG. 6

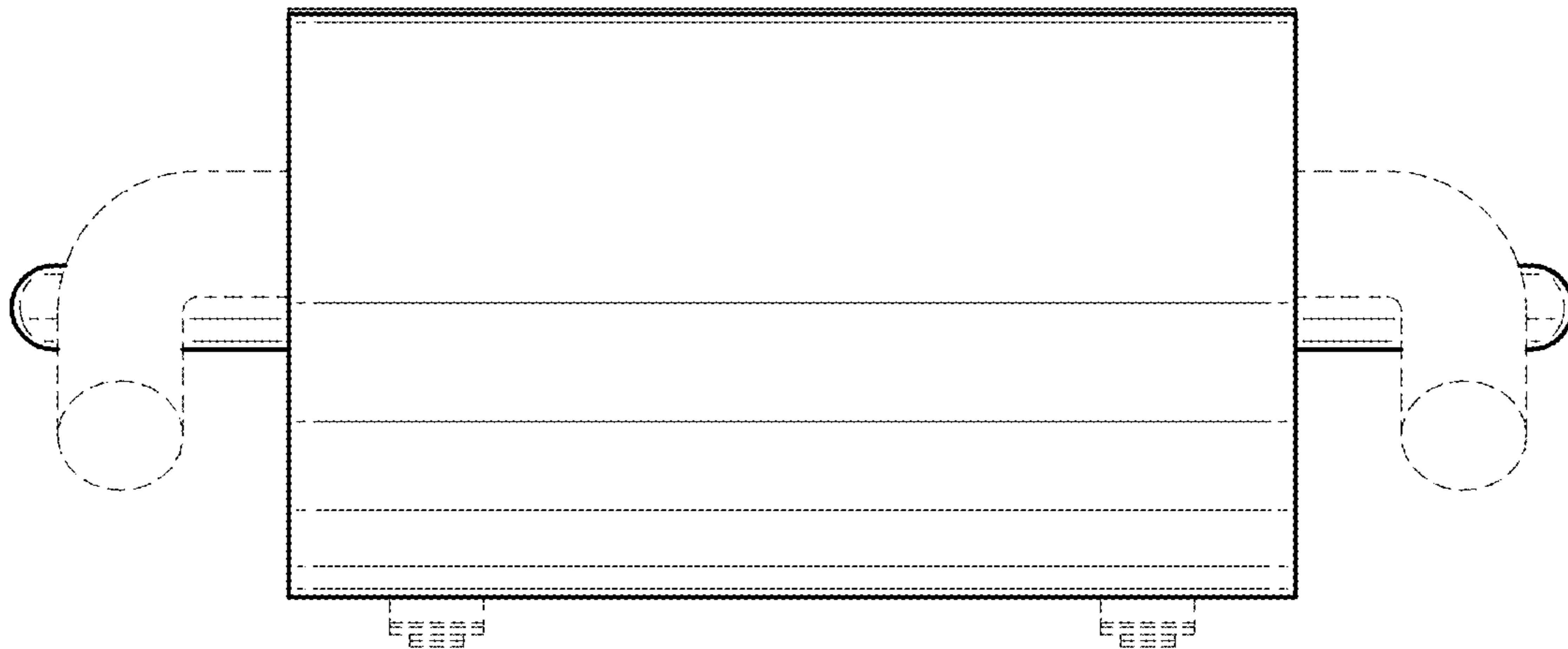


FIG. 7