



US00D929270S

(12) **United States Design Patent** (10) **Patent No.:** **US D929,270 S**
Moore et al. (45) **Date of Patent:** **** Aug. 31, 2021**

(54) **WHEELCHAIR**

FOREIGN PATENT DOCUMENTS

(71) Applicant: **Toyota Motor North America, Inc.**,
Plano, TX (US)
(72) Inventors: **Douglas A. Moore**, Fairview, TX (US);
Christopher Lee, Little Elm, TX (US);
Paul Ellsworth Nichols, Healdsburg,
CA (US); **Christina Danielle Tapp**,
Walnut Creek, CA (US); **Thomas
Mitchell Dair**, Lafayette, CA (US)

CN	302289324	1/2013
CN	303093482	2/2014
DK	MR199201074-0001	1/1993
FI	11434-0001	4/1988
JP	D1408938	3/2011
LV	10474-0001	8/1999
RU	00082235	7/2012
SE	52851-0001	12/1992

(73) Assignee: **Toyota Motor North America, Inc.**,
Plano, TX (US)

(**) Term: **15 Years**

(21) Appl. No.: **29/714,025**

(22) Filed: **Nov. 20, 2019**

(51) **LOC (13) Cl.** **12-12**

(52) **U.S. Cl.**
USPC **D12/131**

(58) **Field of Classification Search**
USPC D12/129–133
CPC A61G 5/00–14
See application file for complete search history.

(56) **References Cited**

U.S. PATENT DOCUMENTS

D475,952 S *	6/2003	Nelson	D12/131
D539,044 S *	3/2007	Solheim	D6/334
D604,208 S *	11/2009	Perk	D12/131
D742,285 S *	11/2015	Cooper	D12/131
D784,208 S *	4/2017	Zollars	D12/128
D801,880 S *	11/2017	Ahlbertz	D12/131
D896,134 S *	9/2020	Bourke	D12/131
D897,908 S *	10/2020	Johansson	D12/129

OTHER PUBLICATIONS

Foldable wheelchair with aluminum frame—adjustable backrest
(<https://swemed.co.uk/25282/wheelchairs-and-walkers/foldable-wheelchairs/foldable-wheelchair-with-aluminum-frame-adjustable-backrest/>); accessed Jun. 6, 2019.

* cited by examiner

Primary Examiner — Charles D Hanson

(74) *Attorney, Agent, or Firm* — Dinsmore & Shohl, LLP

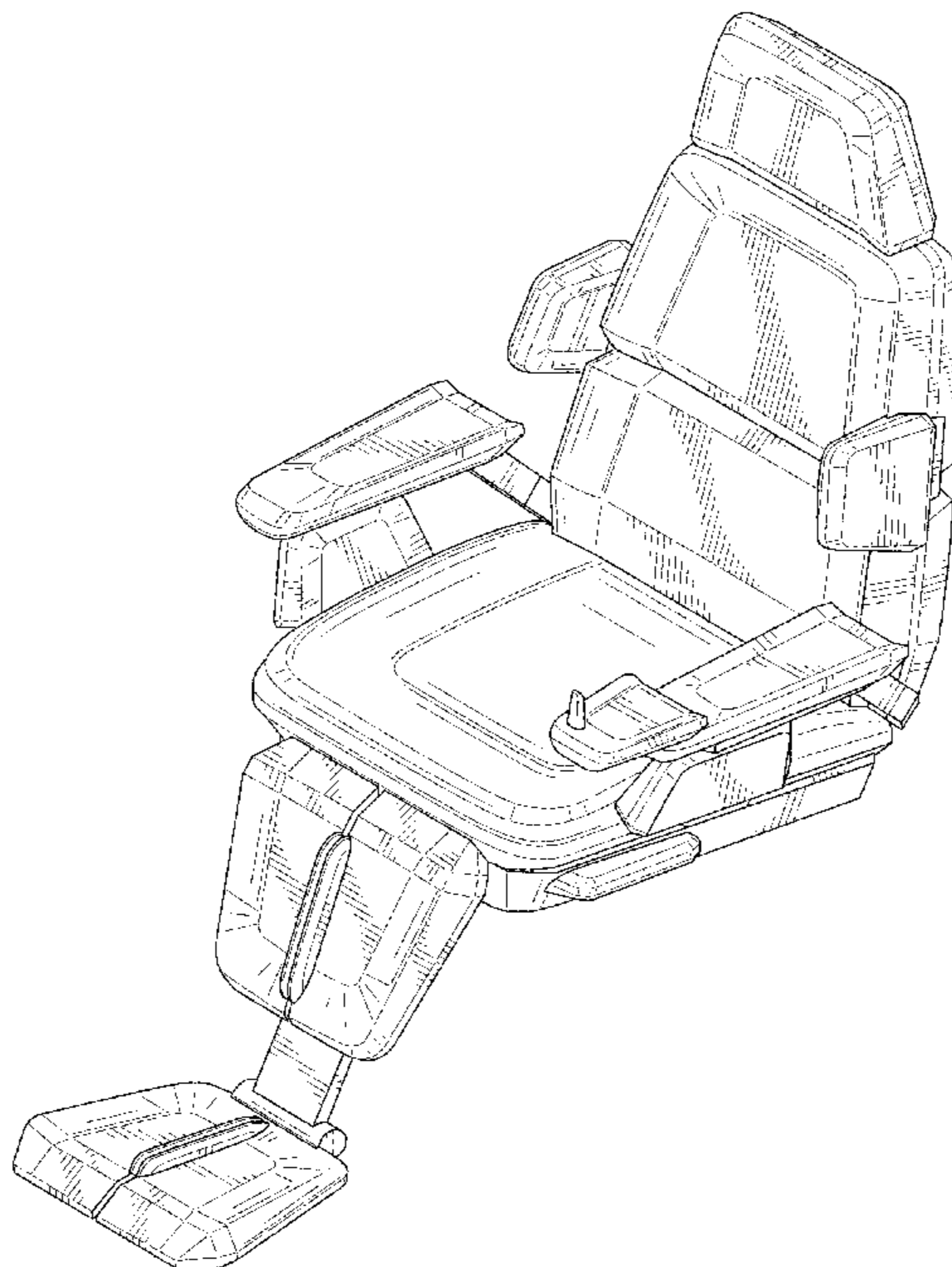
(57) **CLAIM**

The ornamental design for a wheelchair, as shown and described.

DESCRIPTION

FIG. 1 is a front perspective view of a wheelchair illustrating an embodiment of our new design;
FIG. 2 is a front view thereof;
FIG. 3 is a rear view thereof;
FIG. 4 is a left side view thereof;
FIG. 5 is a right side view thereof;
FIG. 6 is a top view thereof; and,
FIG. 7 is a bottom view thereof.

1 Claim, 7 Drawing Sheets



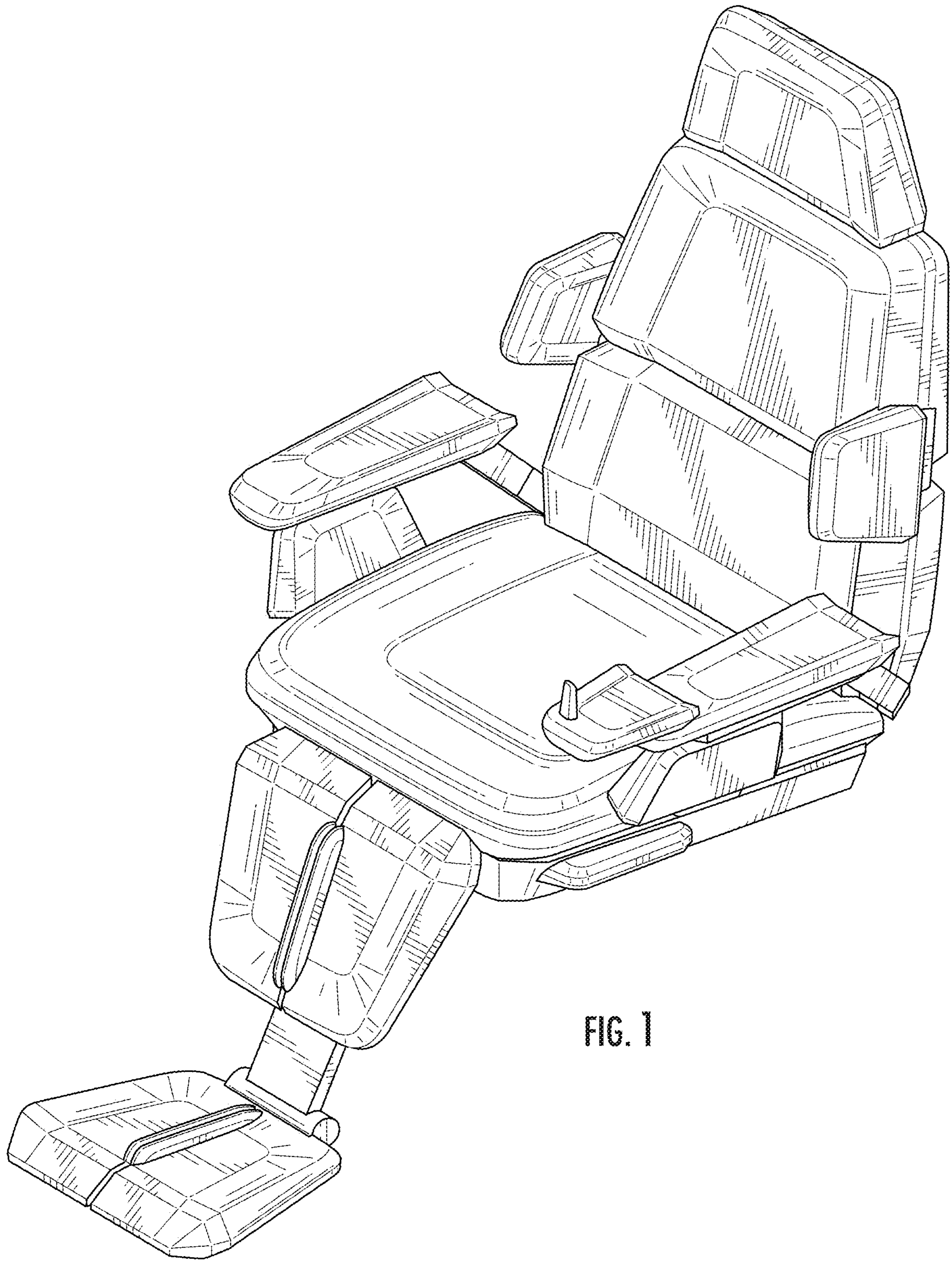


FIG. 1

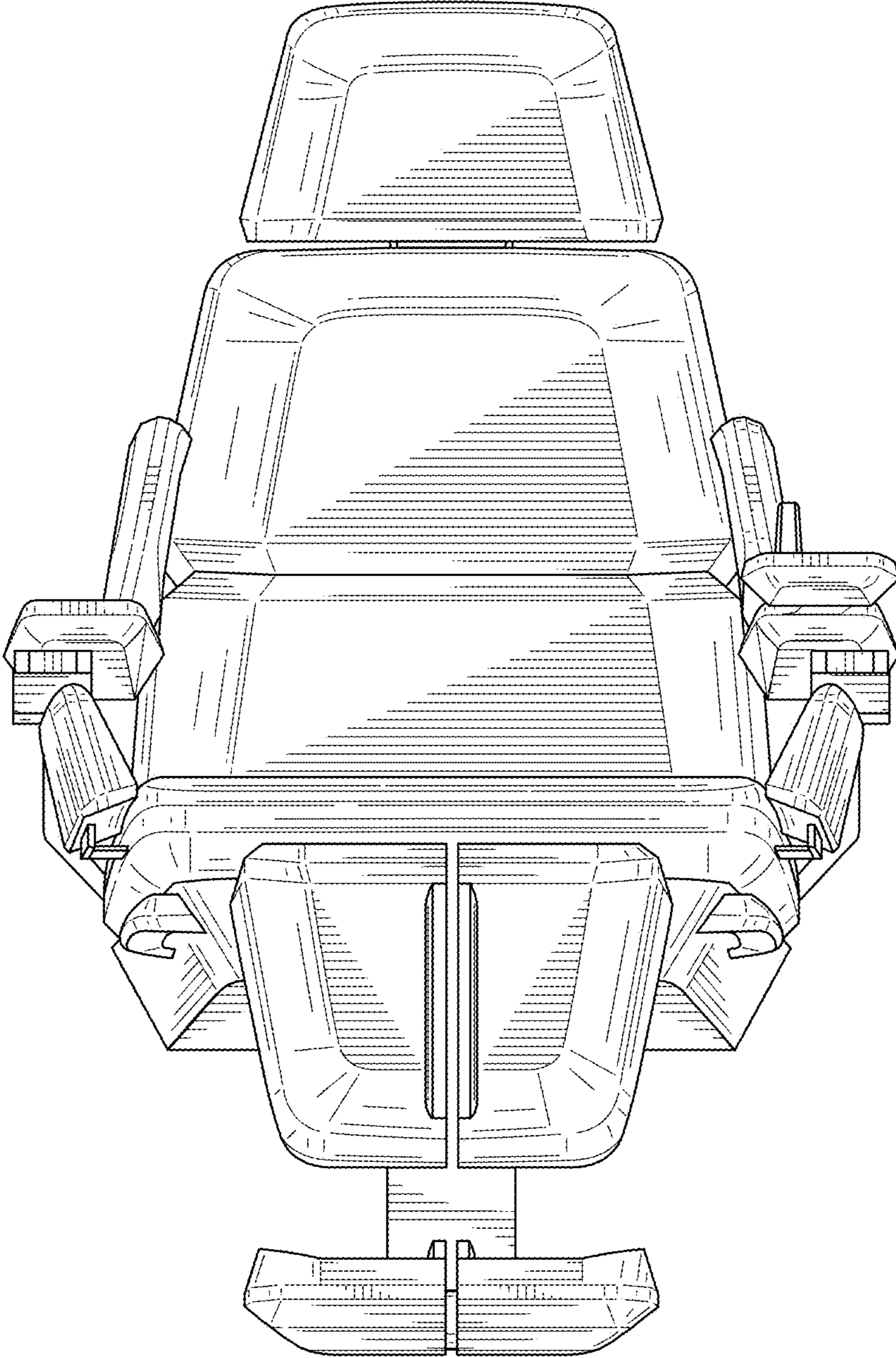


FIG. 2

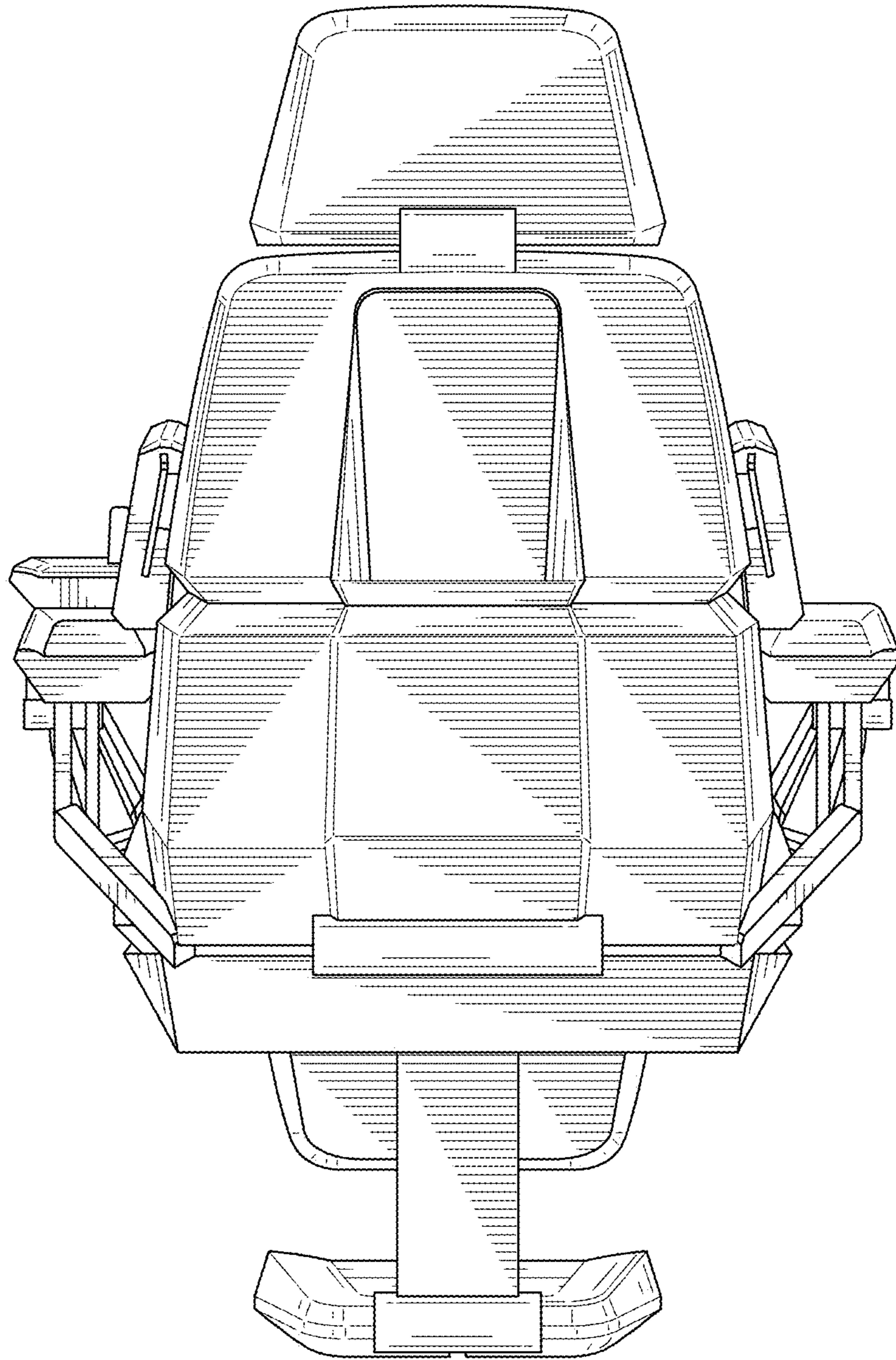


FIG. 3

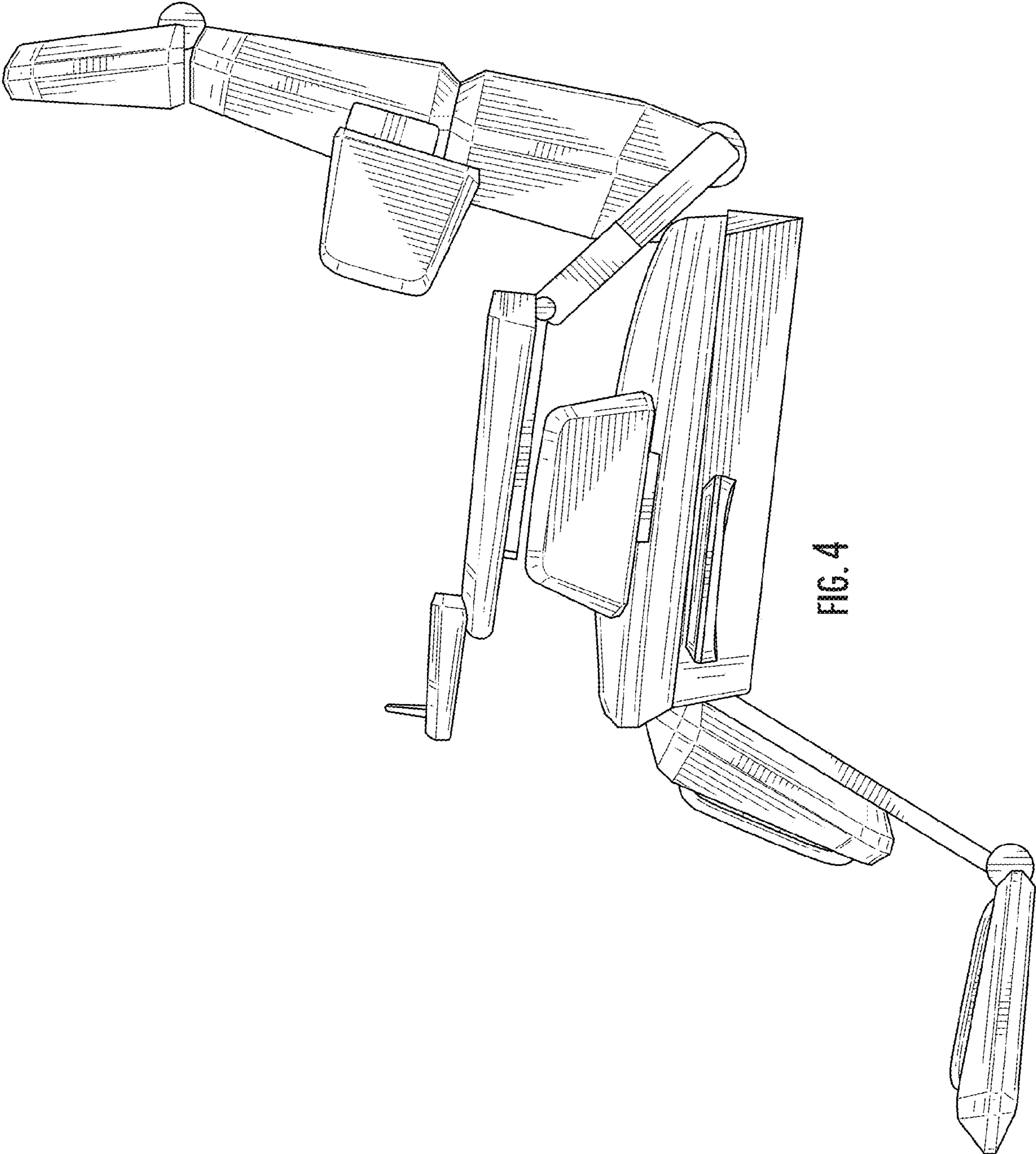


FIG. 4

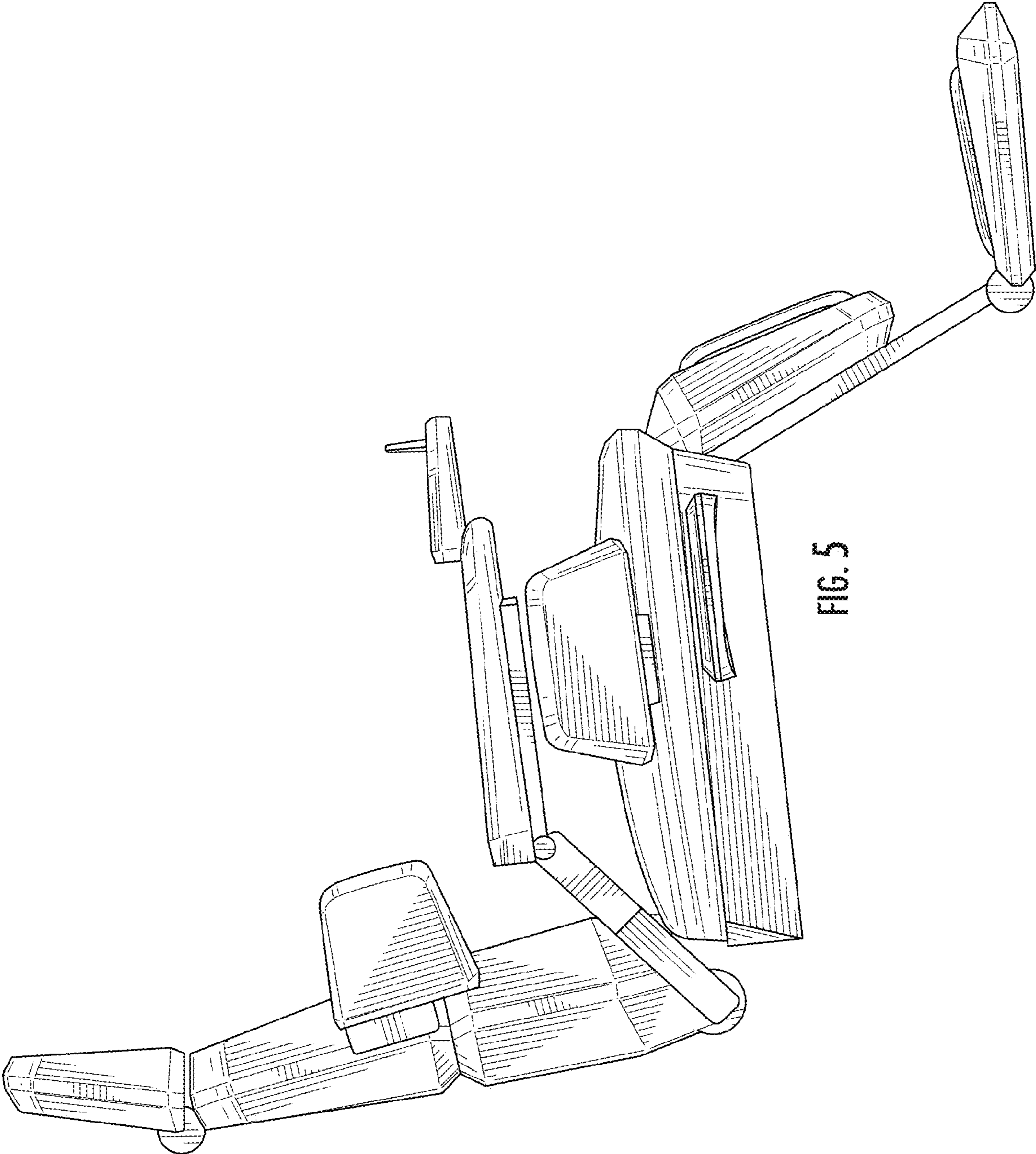


FIG. 5

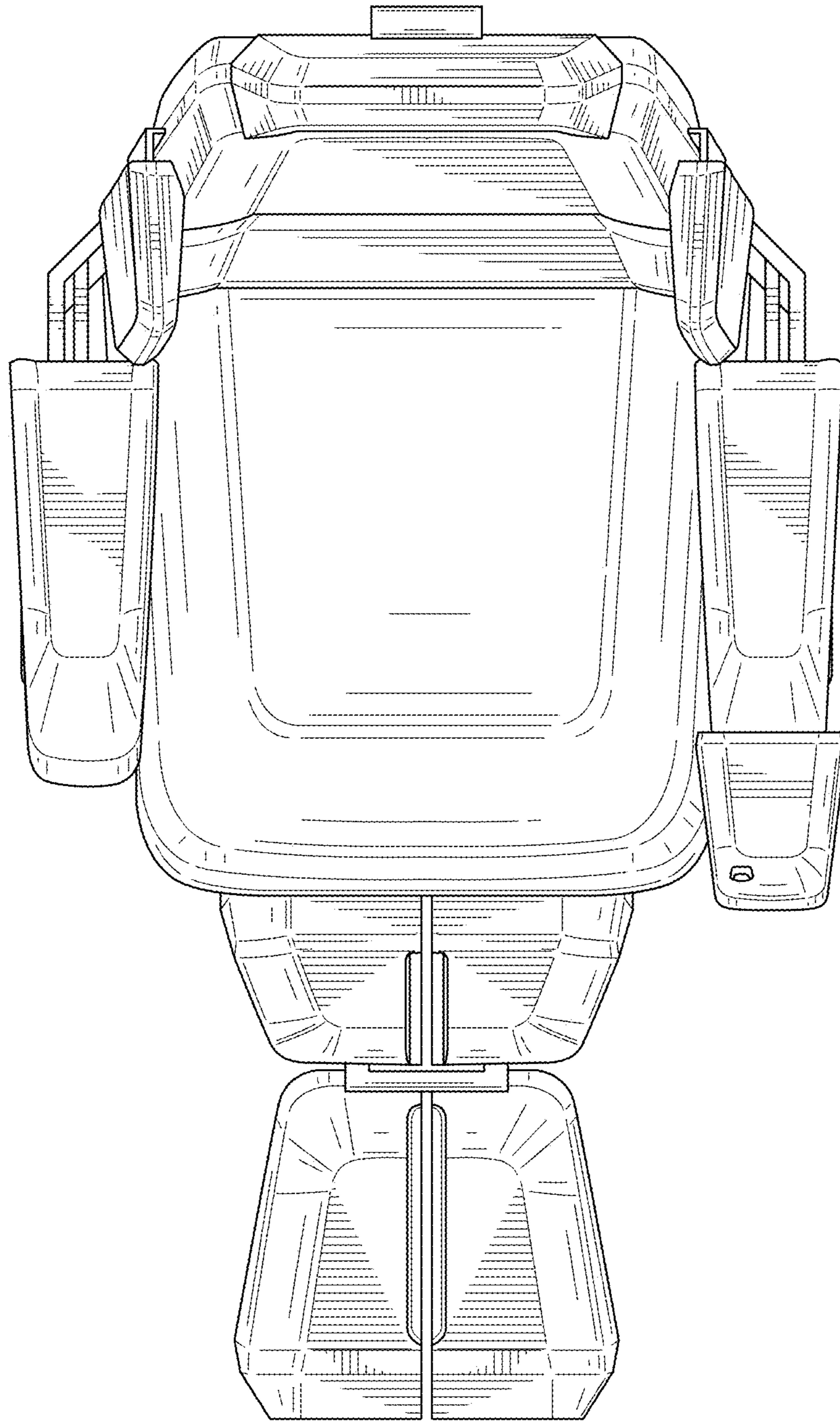


FIG. 6

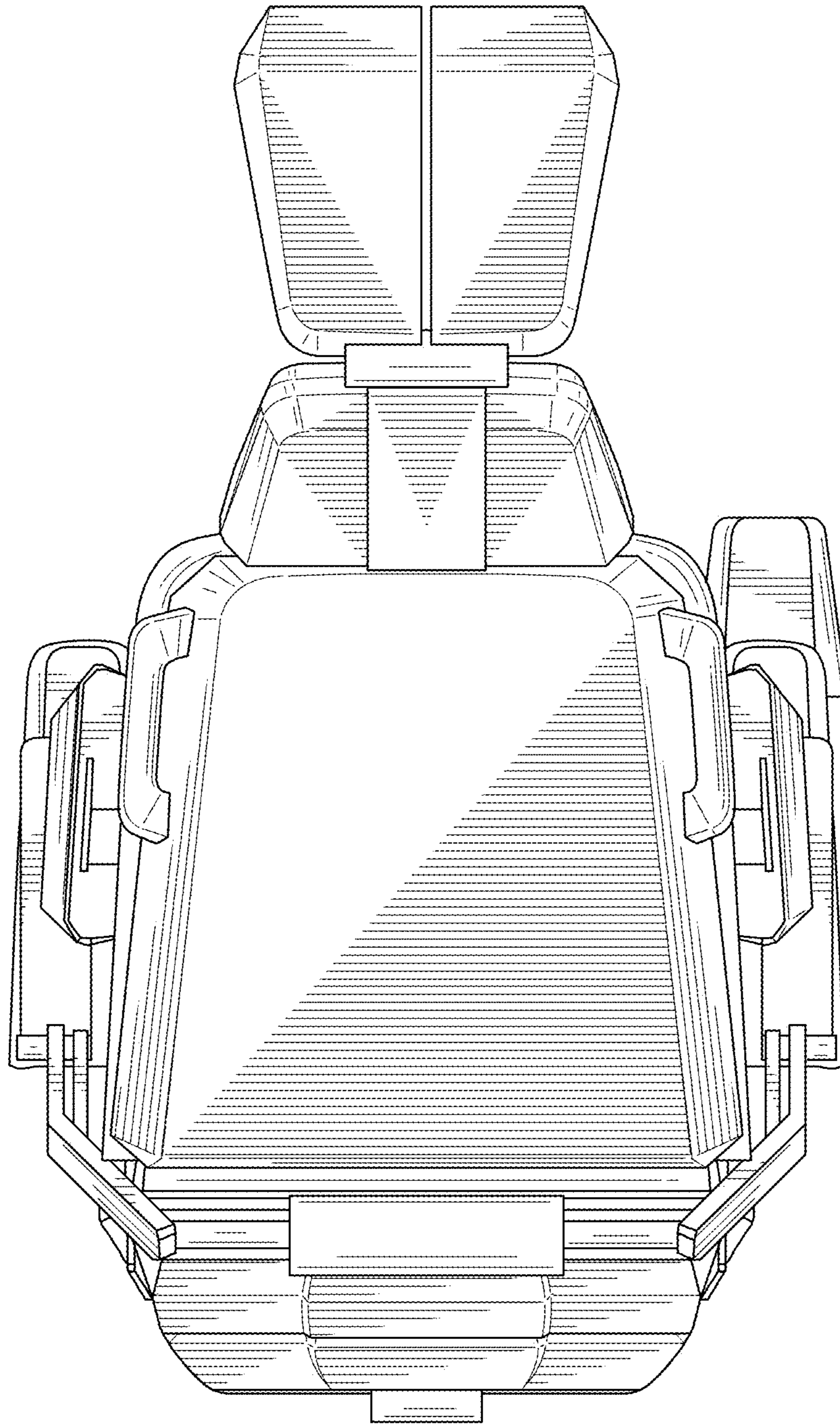


FIG. 7