



US00D929269S

(12) **United States Design Patent**
Chen

(10) **Patent No.:** **US D929,269 S**

(45) **Date of Patent:** **** Aug. 31, 2021**

(54) **ELECTRIC BICYCLE**

(71) Applicant: **GUANGZHOU SYMBOL BICYCLE CO., LTD.**, Guangzhou (CN)

(72) Inventor: **Xinsheng Chen**, Guangzhou (CN)

(73) Assignee: **GUANGZHOU SYMBOL BICYCLE CO., LTD.**, Gaungzhou (CN)

(**) Term: **15 Years**

(21) Appl. No.: **29/740,396**

(22) Filed: **Jul. 2, 2020**

(30) **Foreign Application Priority Data**

May 9, 2020 (CN) 202030206836.3

(51) **LOC (13) Cl.** **12-11**

(52) **U.S. Cl.**
USPC **D12/111**

(58) **Field of Classification Search**

USPC D12/110, 111, 117, 406, 407
CPC . B62K 3/00; B62K 3/005; B62K 9/00; B62K 19/00; B62K 19/02; B62K 19/04; B62K 19/06; B62K 19/16

See application file for complete search history.

(56) **References Cited**

U.S. PATENT DOCUMENTS

- 4,634,138 A * 1/1987 Fryer B62K 15/008 280/278
- D498,438 S * 11/2004 Ying D12/111
- D620,401 S * 7/2010 Haller D12/111
- D650,724 S * 12/2011 Chiang D12/111
- D727,215 S * 4/2015 Yang D12/111
- D729,700 S * 5/2015 De Roeck D12/111
- D756,264 S * 5/2016 Thompson D12/111
- D791,022 S * 7/2017 Lam D12/111
- D795,747 S * 8/2017 Bailie D12/111

- D807,232 S * 1/2018 Bailie D12/111
- D807,233 S * 1/2018 Zhang D12/111
- D833,333 S * 11/2018 Yu D12/111

(Continued)

FOREIGN PATENT DOCUMENTS

CN 306646385 * 6/2021

OTHER PUBLICATIONS

“Guangzhou Symbol Bicycle Co., Ltd.” Nakxus., posted date Mar. 8, 2021 [online], [retrieved on Jul. 15, 2021]. Retrieved from the Internet <URL:https://symbolbike.en.alibaba.com/> (Year: 2021).*

(Continued)

Primary Examiner — Darlington Ly

Assistant Examiner — Nasim Abdulaziz Ali

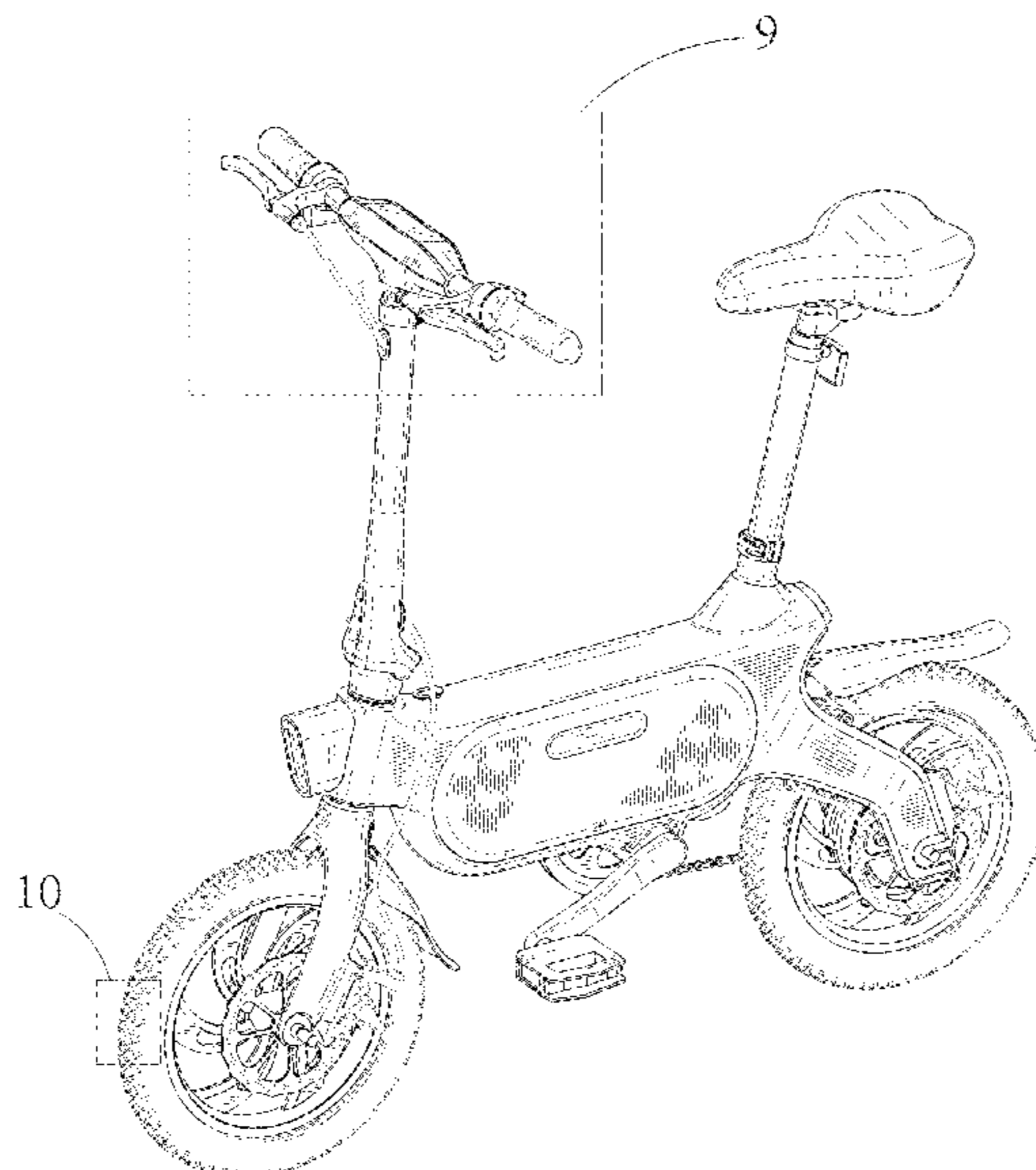
(57) **CLAIM**

The ornamental design for an electric bicycle, as shown and described.

DESCRIPTION

FIG. 1 is a front and left side perspective view of an electric bicycle embodying my new design;
FIG. 2 is a rear and right side perspective view thereof;
FIG. 3 is a left side elevation view thereof;
FIG. 4 is a right side elevation view thereof;
FIG. 5 is a front elevation view thereof;
FIG. 6 is a rear elevation view thereof;
FIG. 7 is a top plan view thereof;
FIG. 8 is a bottom plan view thereof;
FIG. 9 is an enlarged detail view thereof showing the portion identified in the reference bubble FIG. 9 in FIG. 1; and,
FIG. 10 is an enlarged detail view thereof showing the portion identified in the reference bubble FIG. 10 in FIG. 1.
The broken lines in the drawings illustrate portions of the electric bicycle which form no part of the claimed design.

1 Claim, 10 Drawing Sheets



(56)

References Cited

U.S. PATENT DOCUMENTS

D843,269 S	*	3/2019	Shi	D12/111
D846,449 S	*	4/2019	Song	D12/111
D890,633 S	*	7/2020	Zhou	D12/111
D898,625 S	*	10/2020	Lin	D12/111
D902,084 S	*	11/2020	Gauthier	D12/111
D910,497 S	*	2/2021	Sun	D12/111

OTHER PUBLICATIONS

“NAKXUS New 2021 electric bike mini folding ebike” Nakxus., posted date Feb. 21, 2021 [online], [retrieved on Jul. 15, 2021]. Retrieved from the Internet <URL:https://www.alibaba.com/product-detail/NAKXUS-New-2021-electric-bike-mini_1600154134944.html> (Year: 2021).*

“ANCHEER an-EB5 Plus Folding Electric Bike” ANCHEER., posted date Feb. 8, 2021 [online], [retrieved on Jul. 15, 2021]. Retrieved from the Internet <URL:https://www.amazon.com/ANCHEER-Folding-Electric-Scooter-Commuter/dp/B08GC5MSPJ/ref=sr_1_9?dchild=1&keywords=dyu+electric+bike&qid=1625010938&sr=8-9> (Year: 2021).*

* cited by examiner

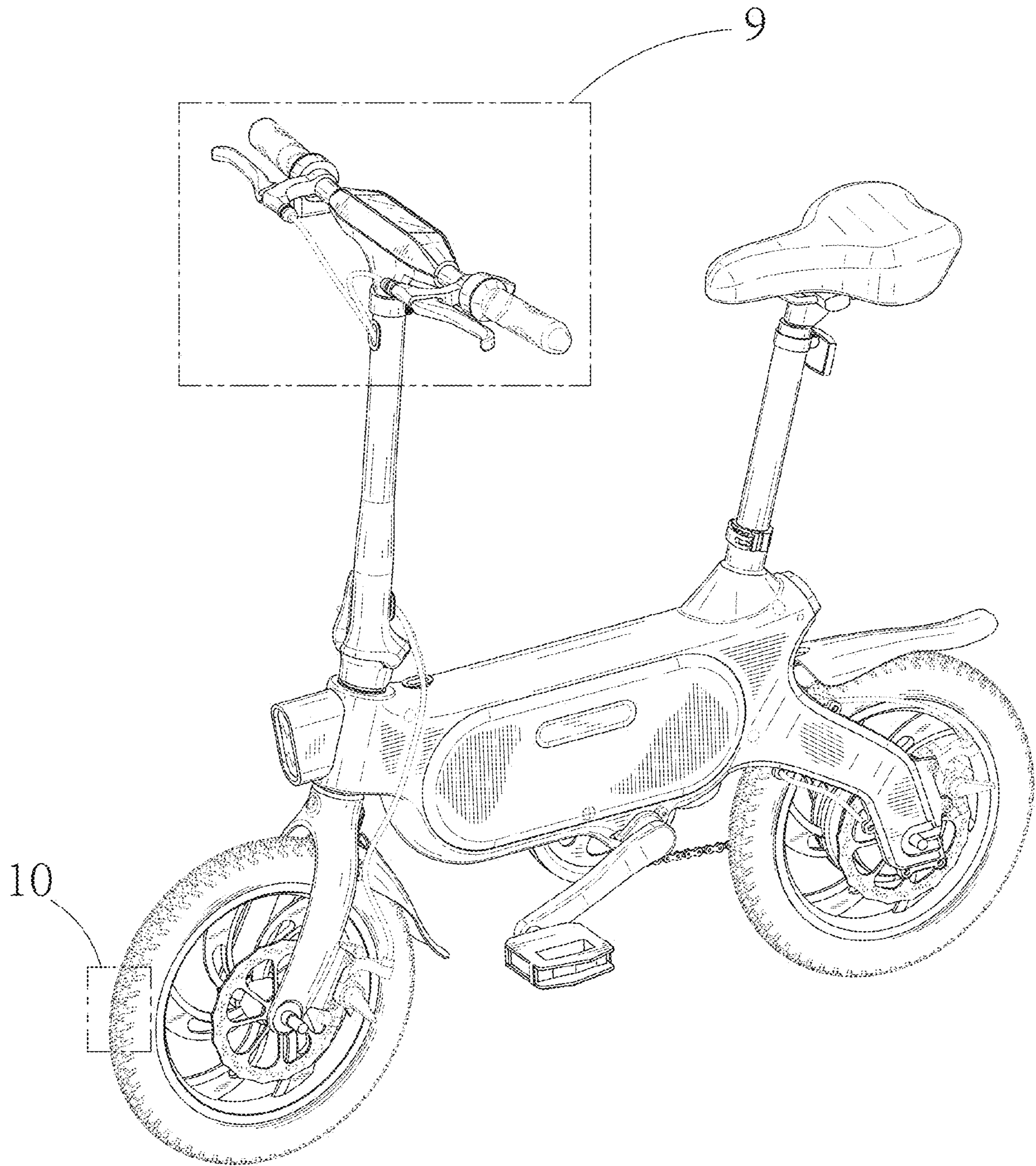


FIG. 1

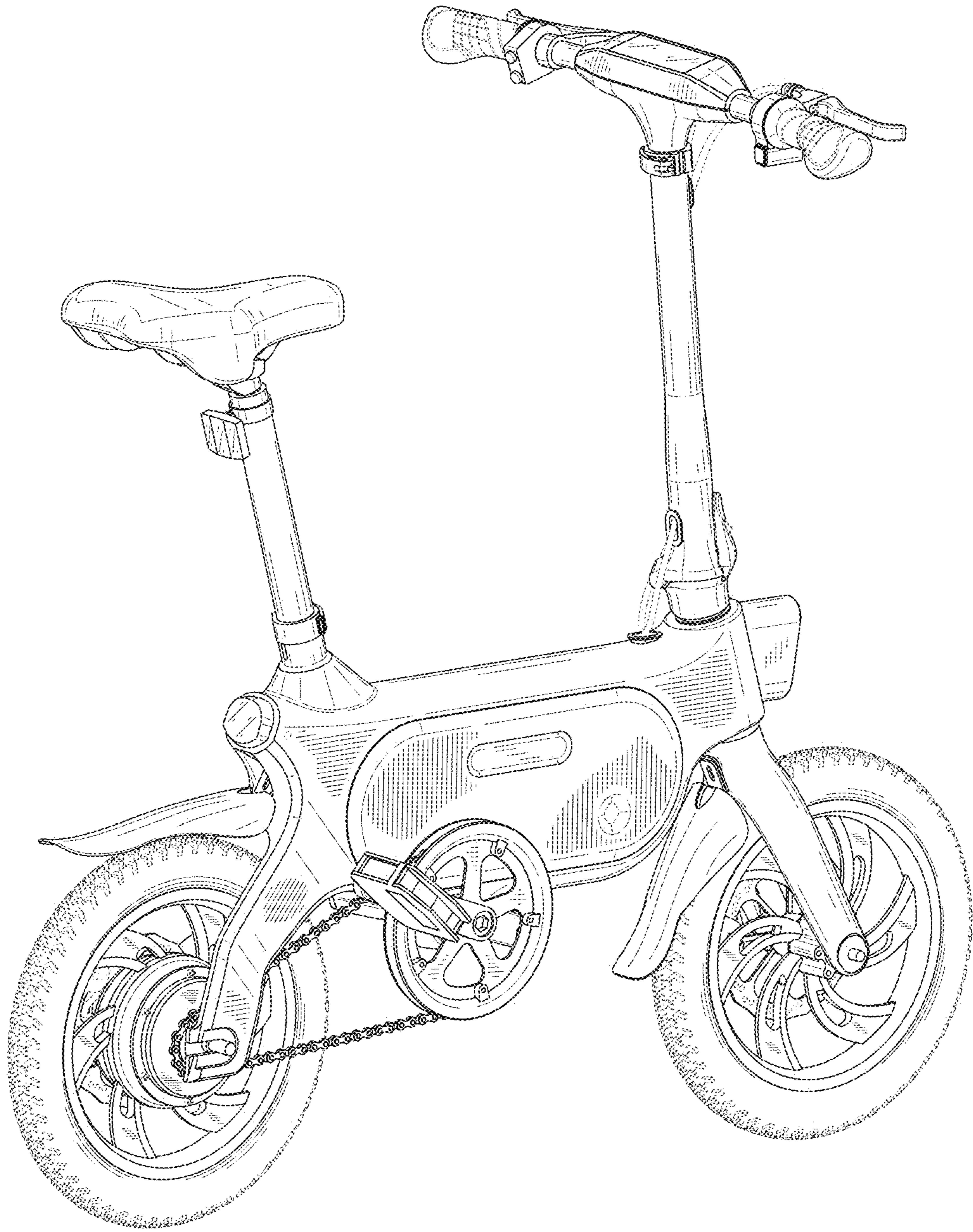


FIG. 2

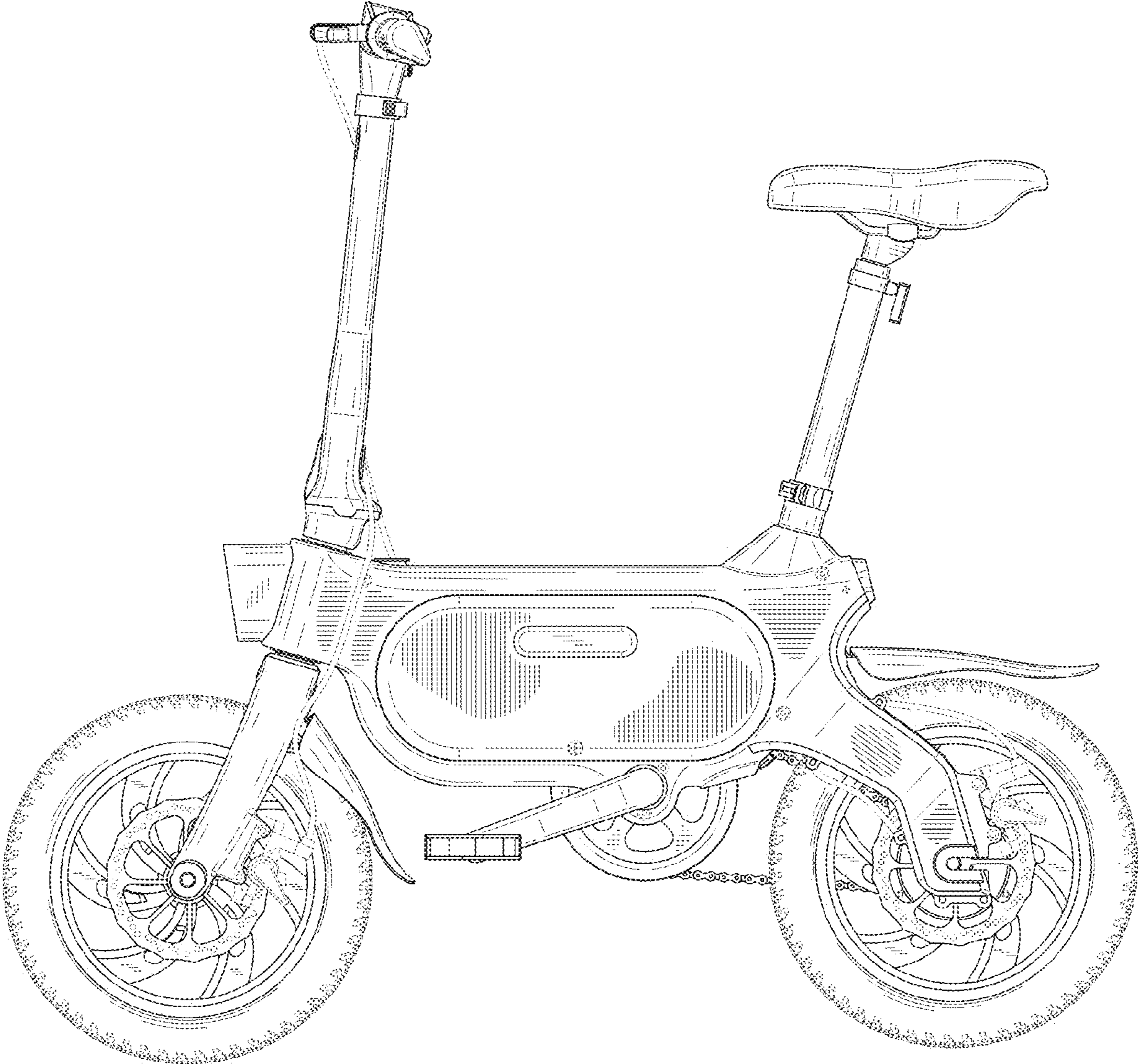


FIG. 3

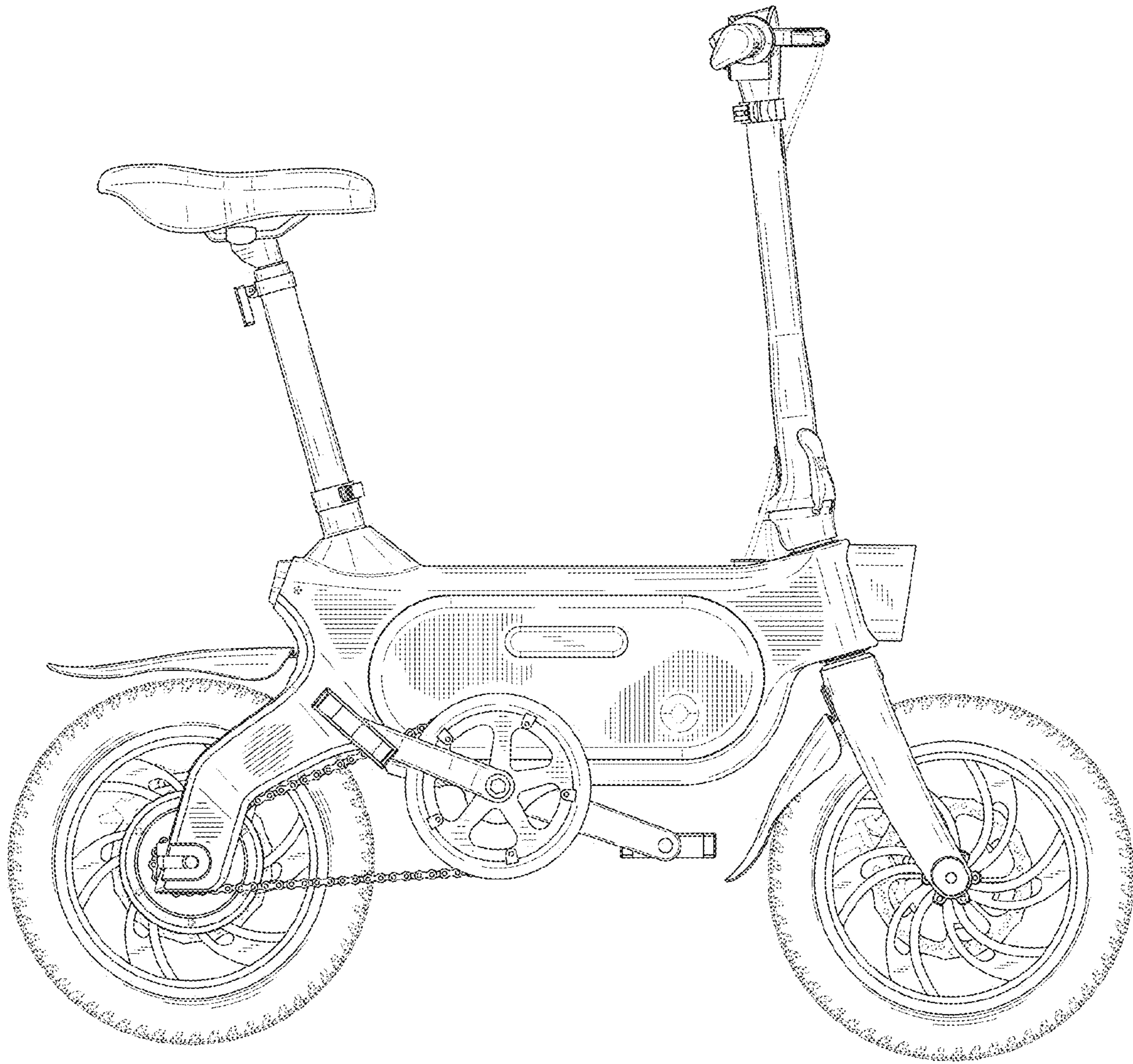


FIG. 4

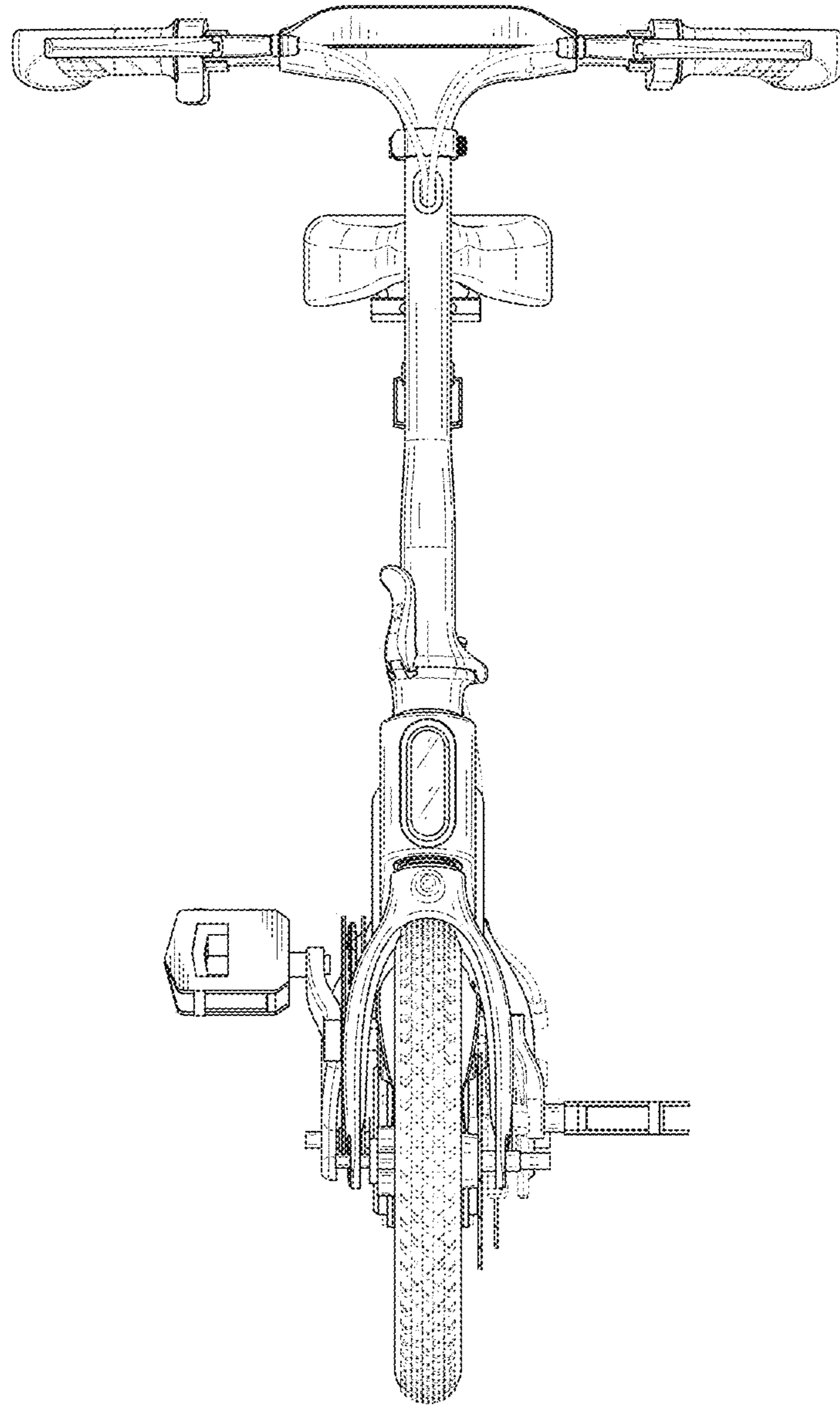


FIG. 5

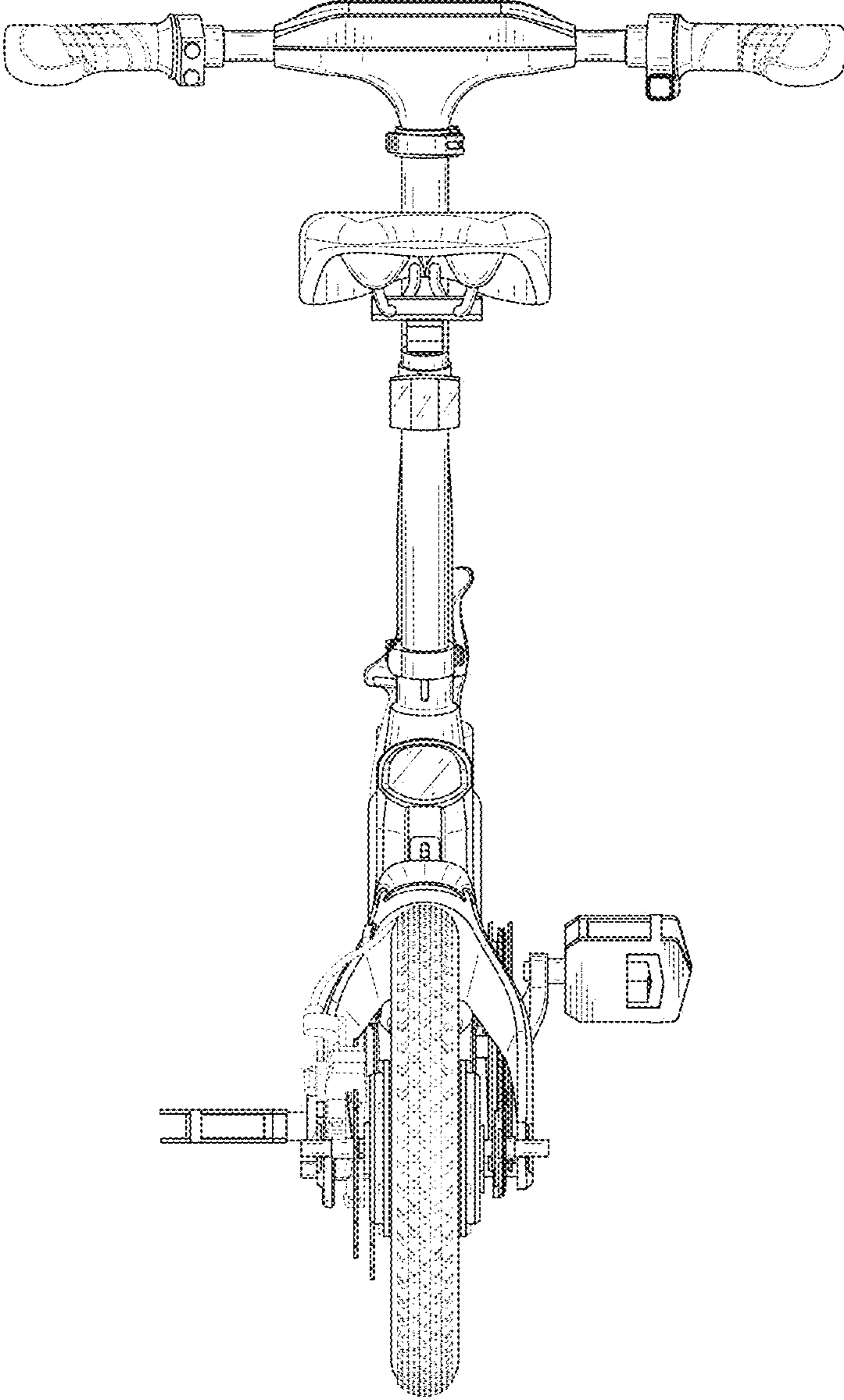


FIG. 6

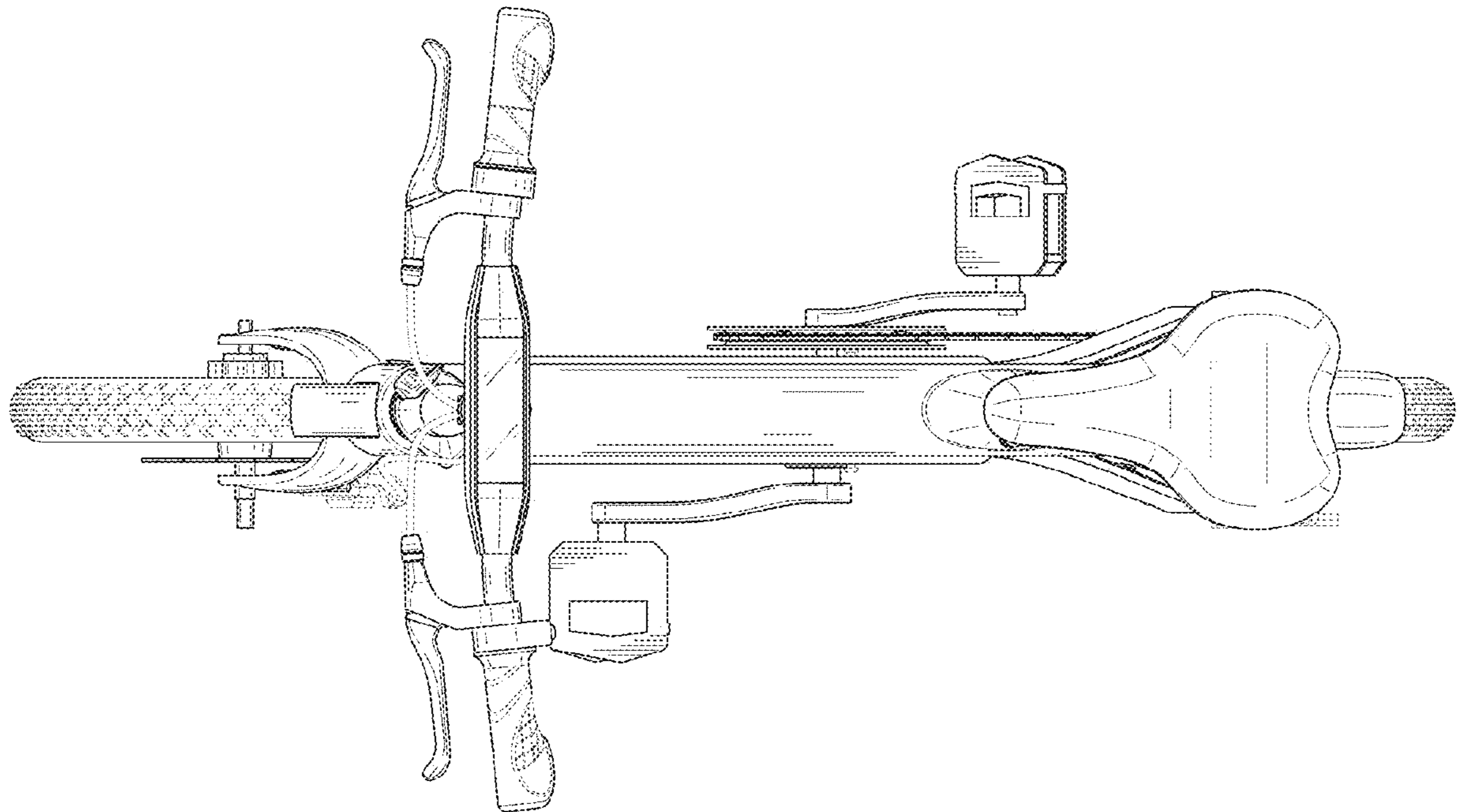


FIG. 7

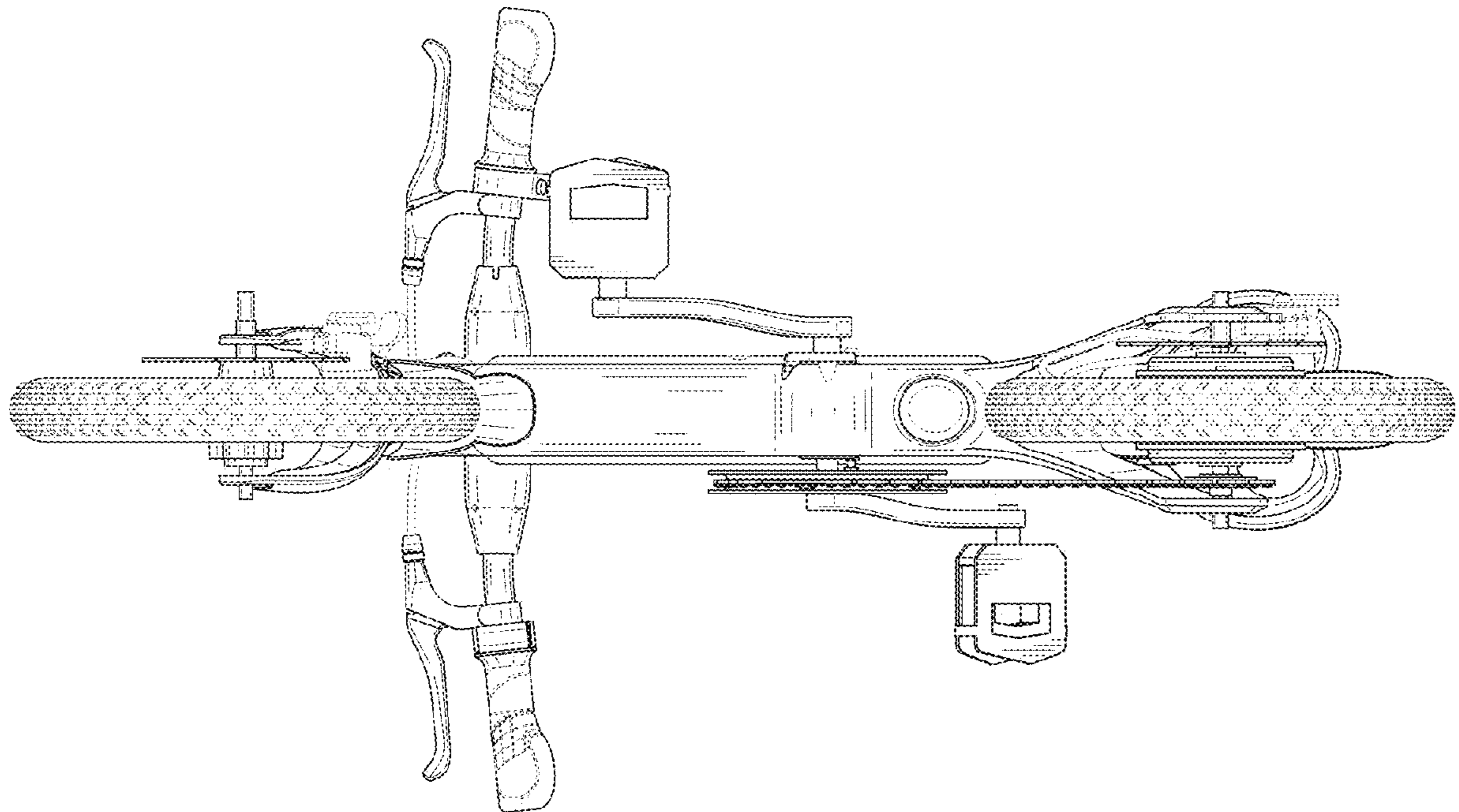


FIG. 8

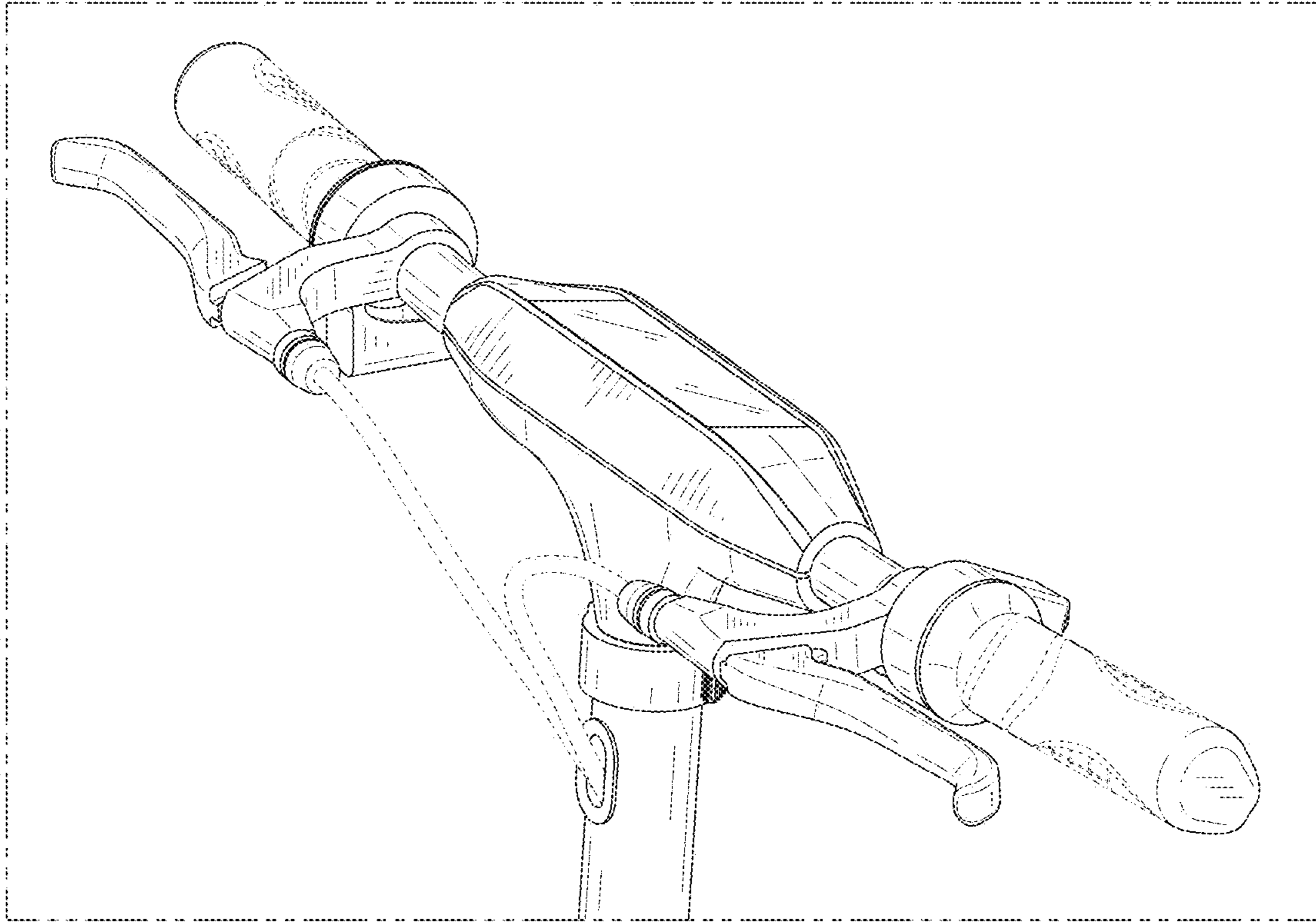


FIG. 9

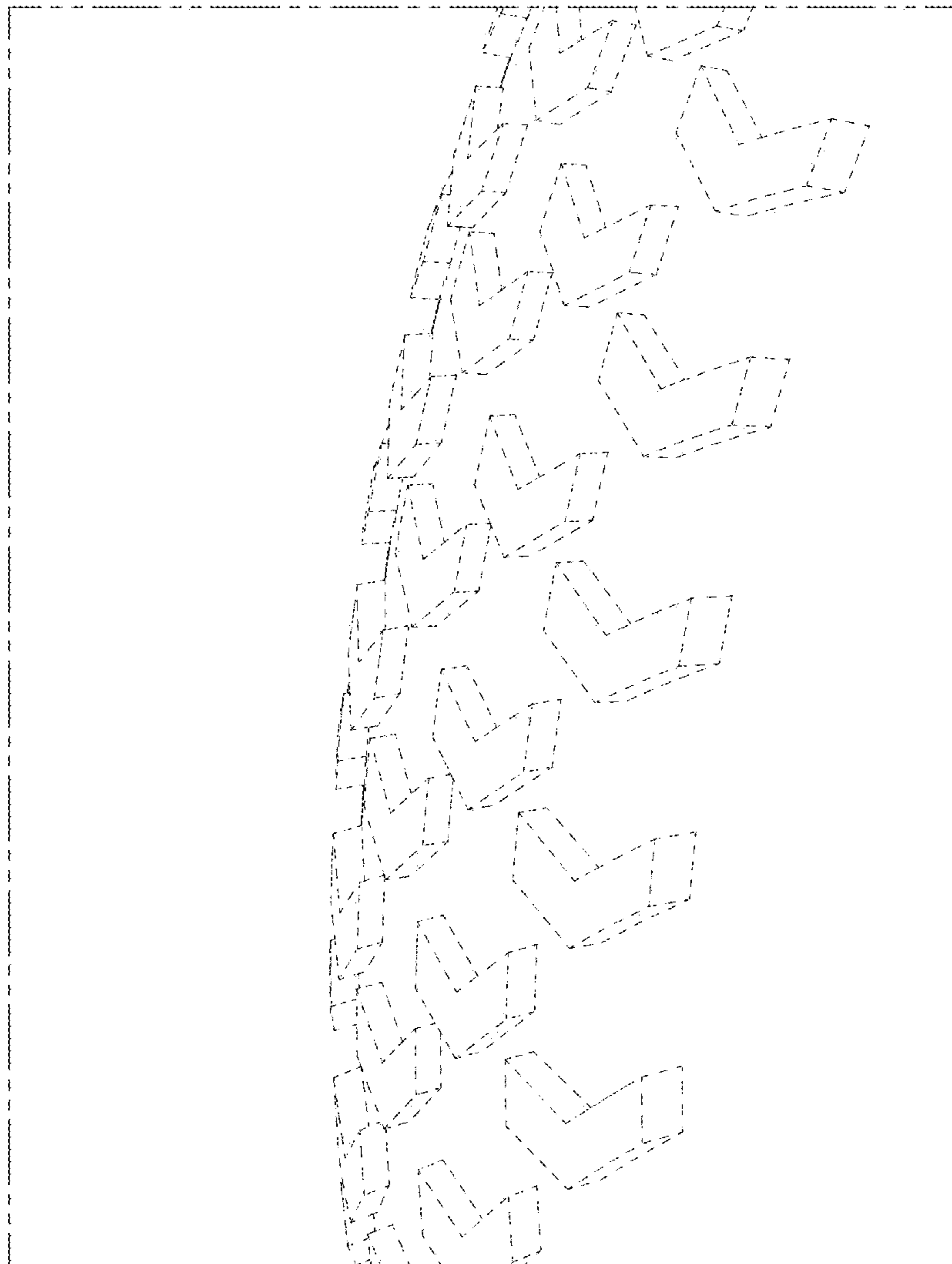


FIG. 10