



US00D929268S

(12) **United States Design Patent**  
**Bass et al.**

(10) **Patent No.:** **US D929,268 S**  
(45) **Date of Patent:** **\*\* Aug. 31, 2021**

(54) **BICYCLE**

(71) Applicant: **Serial 1 Cycle Company, LLC**, Lehi,  
UT (US)

(72) Inventors: **Benjamin Raymond Bass**, Madison,  
WI (US); **Ben Lund**, Delafield, WI  
(US); **Andrew Schmidt**, Delafield, WI  
(US); **Casey Ketterhagen**, Hartland,  
WI (US)

(73) Assignee: **Serial 1 Cycle Company, LLC**, Lehi,  
UT (US)

(\*\*) Term: **15 Years**

(21) Appl. No.: **29/702,611**

(22) Filed: **Aug. 20, 2019**

(51) **LOC (13) Cl.** ..... **12-11**

(52) **U.S. Cl.**  
USPC ..... **D12/111**

(58) **Field of Classification Search**  
USPC ..... D12/111, 117; D21/412, 414, 419,  
D21/423-428, 431-435  
CPC ..... B62K 3/00; B62K 3/02; B62K 3/06  
See application file for complete search history.

(56) **References Cited**

U.S. PATENT DOCUMENTS

6,016,882	A	1/2000	Ishikawa
6,029,990	A	2/2000	Busby
6,095,270	A	8/2000	Ishikawa
6,148,944	A	11/2000	Adomi et al.
6,155,585	A	12/2000	Busby
6,276,479	B1	8/2001	Suzuki et al.
6,428,192	B1	8/2002	Chen
6,554,307	B1	4/2003	Ockenden
7,052,422	B2	5/2006	Skidmore et al.
7,287,772	B2	10/2007	James
7,520,361	B2	4/2009	Anzai
7,637,830	B2	12/2009	Greilinger

7,703,787	B2	4/2010	Kawamura et al.
7,854,441	B2	12/2010	Scurlock
7,988,175	B2	8/2011	White
7,997,775	B2	8/2011	Hurwitz
8,276,703	B2	10/2012	Mori

(Continued)

FOREIGN PATENT DOCUMENTS

CA	2462151	A1	7/2005
CH	700148	A2	6/2010

(Continued)

OTHER PUBLICATIONS

International Search Report and Written Opinion received for PCT application No. PCT/IB2020/056631, dated Nov. 13, 2020, 25 pages.

(Continued)

*Primary Examiner* — Darlington Ly

(74) *Attorney, Agent, or Firm* — Foley & Lardner LLP

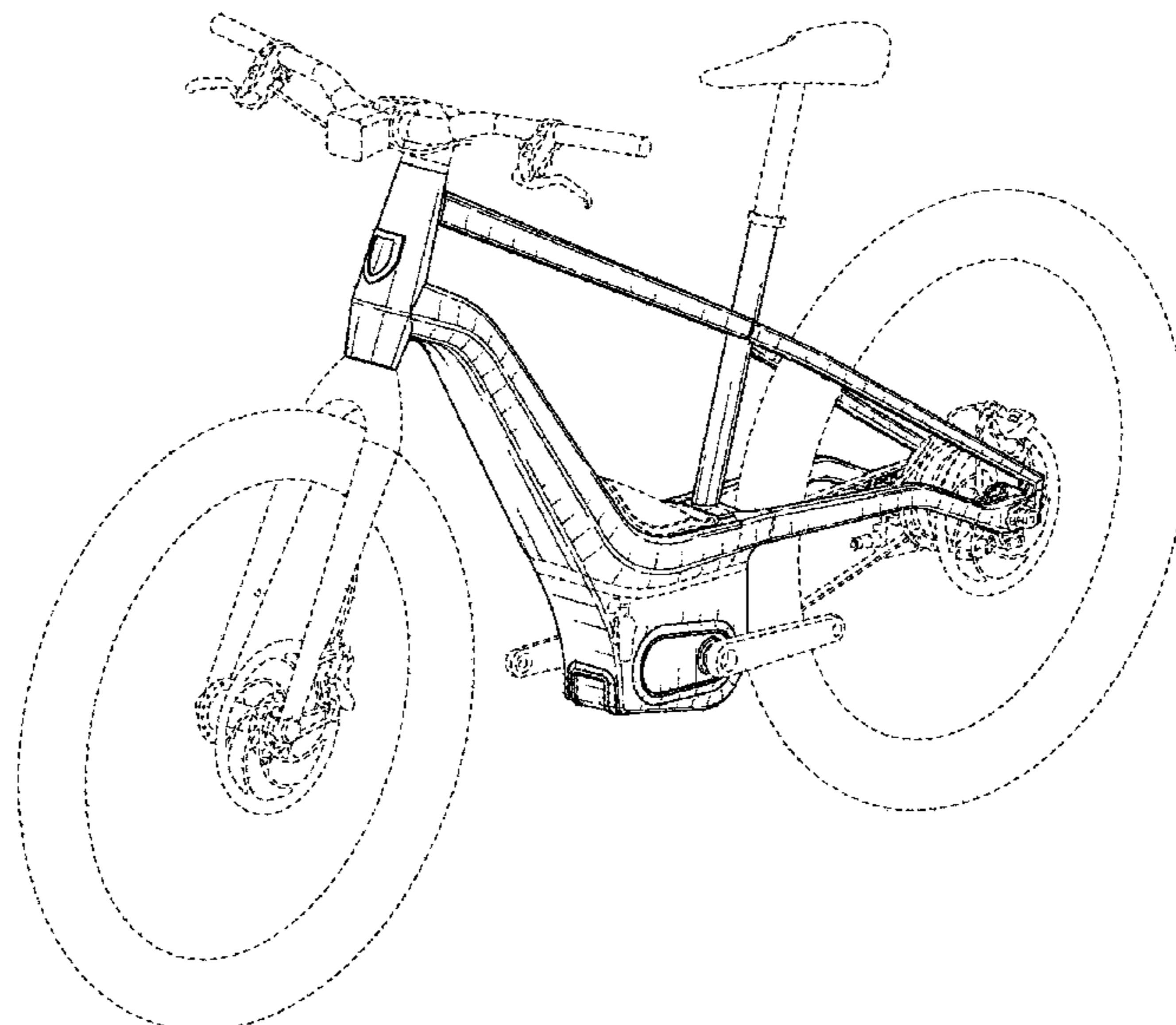
(57) **CLAIM**

We claim the ornamental design for a bicycle, as shown and described.

**DESCRIPTION**

FIG. 1 is a top, front, and right side perspective view of a bicycle embodying our new design;  
FIG. 2 is a top, rear, and left side perspective view thereof;  
FIG. 3 is a front elevation view thereof;  
FIG. 4 is a rear elevation view thereof;  
FIG. 5 is a left side elevation view thereof;  
FIG. 6 is a right side elevation view thereof;  
FIG. 7 is a top plan view thereof; and,  
FIG. 8 is a bottom plan view thereof.  
The broken lines in the drawings illustrate portions of the bicycle that form no part of the claimed design.

**1 Claim, 7 Drawing Sheets**



(56)

References Cited

U.S. PATENT DOCUMENTS

8,371,974 B2 2/2013 Morita  
 8,413,947 B2 4/2013 Chiang  
 8,424,894 B2 4/2013 Cleveland  
 8,740,239 B2 6/2014 Lumpkin  
 D720,260 S \* 12/2014 Yoshida ..... D12/111  
 8,899,606 B2 12/2014 Cocalis  
 D727,214 S \* 4/2015 Yang ..... D12/111  
 8,998,236 B2 4/2015 Trimble et al.  
 D730,779 S \* 6/2015 Arbour ..... D12/111  
 D745,836 S \* 12/2015 Poster ..... D12/111  
 9,415,828 B2 8/2016 Norstad  
 D774,971 S \* 12/2016 Lambri ..... D12/111  
 D774,972 S \* 12/2016 Lambri ..... D12/111  
 D789,836 S \* 6/2017 Gouin ..... D12/111  
 D801,875 S 11/2017 Pfeiffer et al.  
 D802,487 S \* 11/2017 Petrov ..... D12/111  
 D816,554 S \* 5/2018 Wang ..... D12/111  
 10,028,356 B2 7/2018 Luk et al.  
 10,131,401 B2 11/2018 Nolin et al.  
 10,137,954 B2 11/2018 Hendey et al.  
 10,179,626 B2 1/2019 Arbour  
 10,183,591 B2 \* 1/2019 Shieh ..... B60L 50/64  
 10,196,107 B2 2/2019 Hiramaru  
 D842,765 S 3/2019 Deltour  
 D854,969 S \* 7/2019 Gouin ..... D12/111  
 10,343,747 B2 \* 7/2019 Cunado Landa ..... B62K 19/40  
 10,363,992 B2 \* 7/2019 Watarai ..... B62M 9/122  
 2007/0147057 A1 6/2007 Mohr  
 2008/0002417 A1 1/2008 Mohr  
 2008/0192497 A1 8/2008 Chao  
 2011/0316251 A1 12/2011 Lumpkin  
 2012/0096978 A1 4/2012 Voshell et al.  
 2014/0153270 A1 6/2014 Lai  
 2016/0244124 A1 8/2016 Hon  
 2017/0267308 A1 9/2017 Geissler  
 2018/0050758 A1 2/2018 Pfeiffer  
 2018/0065704 A1 3/2018 Choi et al.  
 2018/0281896 A1 10/2018 Takeshita et al.  
 2019/0135369 A1 5/2019 Thoma  
 2019/0152258 A1 5/2019 Madhaven  
 2019/0165347 A1 5/2019 Trif et al.

FOREIGN PATENT DOCUMENTS

CN 1113016 12/1995  
 CN 2477521 Y 2/2002  
 CN 2608403 Y 3/2004  
 CN 2705380 Y 6/2005  
 CN 2851063 Y 12/2006  
 CN 200977979 Y 11/2007  
 CN 10162603 A 1/2010  
 CN 101659311 3/2010  
 CN 201545163 U 8/2010  
 CN 201999163 U 10/2011  
 CN 202414025 U 9/2012  
 CN 102295044 B 5/2013  
 CN 103112528 A 5/2013  
 CN 203064129 U 7/2013  
 CN 102420296 B 11/2013  
 CN 203283319 U 11/2013  
 CN 203731107 U 7/2014  
 CN 104097717 A 10/2014  
 CN 204659931 U 9/2015  
 CN 204713348 U 10/2015  
 CN 204937324 U 1/2016  
 CN 205239801 U 5/2016  
 CN 205574134 U 9/2016  
 CN 205601985 U 9/2016  
 CN 205645930 U 10/2016  
 CN 106143781 A 11/2016  
 CN 106143782 A 11/2016  
 CN 205707094 U 11/2016  
 CN 106184591 A 12/2016  
 CN 205837120 U 12/2016  
 CN 205872302 U 1/2017

CN 106364617 2/2017  
 CN 106428322 2/2017  
 CN 205998028 U 3/2017  
 CN 1065855789.8 A 4/2017  
 CN 206171691 U 5/2017  
 CN 206171692 U 5/2017  
 CN 206202580 U 5/2017  
 CN 206374898 U 8/2017  
 CN 206606291 U 11/2017  
 CN 107672723 A 2/2018  
 CN 207089524 U 3/2018  
 CN 207257848 U 4/2018  
 CN 207670546 U 7/2018  
 CN 108407592 A 8/2018  
 CN 207725548 U 8/2018  
 CN 207773351 U 8/2018  
 CN 108639227 A 10/2018  
 CN 108791602 A 11/2018  
 CN 208069888 U 11/2018  
 CN 109050766 A 12/2018  
 CN 208216908 U 12/2018  
 CN 208306904 U 1/2019  
 CN 208470057 U 2/2019  
 CN 109533127 A 3/2019  
 CN 208715356 U 4/2019  
 CN 208813424 U 5/2019  
 DE 10200568 A1 7/2003  
 DE 20 2004 006 422 U1 6/2004  
 DE 10 2007 059 571 A1 6/2009  
 DE 20 2009 007 953 U1 10/2009  
 DE 10 2009 038 485 A1 4/2011  
 DE 10 2012 004 171 A1 9/2013  
 DE 20 2013 008 371 U1 11/2013  
 DE 10 2012 023 582 A1 6/2014  
 DE 20 2014 005 639 U1 8/2014  
 DE 10 2014 218 036 A1 3/2015  
 DE 10 2015 208 875 A1 11/2016  
 DE 20 2016 102 118 U1 8/2017  
 DE 10 2016 003 102 A1 9/2017  
 DE 10 2016 010 261 A1 3/2018  
 DE 10 2015 215 305 B4 10/2018  
 DE 10 2018 106 946 A1 10/2018  
 DE 20 2018 005 473 U 1/2019  
 DE 20 2018 005 474 U 1/2019  
 DE 20 2018 005 475 U1 4/2020  
 EM 001468078-0001 6/2020  
 EP 0 905 014 A2 3/1999  
 EP 1 184 274 A2 3/2002  
 EP 1 188 659 A2 3/2002  
 EP 1 564 128 A2 8/2005  
 EP 1 868 877 B1 12/2007  
 EP 2 184 531 A1 5/2010  
 EP 2 716 534 A1 4/2014  
 EP 2 738 080 A1 6/2014  
 EP 2 792 588 A1 10/2014  
 EP 2 492 182 B1 4/2015  
 EP 2 955 046 B1 12/2015  
 EP 2 998 214 A1 3/2016  
 EP 2 701 948 B1 9/2016  
 EP 3 085 610 A1 10/2016  
 EP 3 109 146 A2 12/2016  
 EP 3 118 096 B1 1/2017  
 EP 3 225 524 A2 10/2017  
 EP 2 939 909 B1 10/2018  
 EP 3 431 379 1/2019  
 EP 3 010 791 B1 2/2019  
 EP 3 492 365 A1 6/2019  
 EP 3 590 813 A1 1/2020  
 FR 2996518 A1 4/2014  
 FR 3037035 A1 12/2016  
 FR 3046401 1/2018  
 GB 2 439 298 A 12/2007  
 GB 2 469 495 A 10/2010  
 GB 2 561 547 A 10/2018  
 JP 2001-219887 8/2001  
 JP 2002-274463 9/2002  
 JP 3386729 B2 3/2003  
 JP 3403874 B2 5/2003  
 JP 2003-231493 8/2003

(56)

**References Cited**

FOREIGN PATENT DOCUMENTS

JP	3552620	B2	8/2004
JP	3867836	B2	1/2007
JP	3906591	B2	4/2007
JP	2009-137375	A	6/2009
JP	4573448	B2	11/2010
JP	4721577	B2	7/2011
JP	4916591	B1	4/2012
JP	2012-201340		10/2012
JP	5097662	B2	12/2012
JP	2013-049365	A	3/2013
JP	2013-252784	A	12/2013
JP	5478481	B2	4/2014
JP	2014-213818	A	11/2014
JP	5647807	B2	1/2015
JP	5912639	B2	4/2016
JP	6054817	B2	12/2016
JP	2017-043340	A	3/2017
JP	1679649	S	2/2021
NL	2013352	B1	9/2016
WO	WO-2005/035345	A1	4/2005
WO	WO-2009/035261	A2	3/2009
WO	WO-2010/128761	A2	11/2010

WO	WO-2012/123455	A1	9/2012
WO	WO-2013/027152	A1	2/2013
WO	WO-2016/065203	A1	4/2016
WO	WO-2016/191876	A1	12/2016
WO	WO-2016/205974	A1	12/2016
WO	WO-2016/207668	A1	12/2016
WO	WO-2017/028837	A1	2/2017
WO	WO-2017/031069	A1	2/2017
WO	WO-2018/010550	A1	1/2018
WO	WO-2018/016949	A1	1/2018
WO	WO-2018/042269	A1	3/2018
WO	WO-2018/130999	A1	7/2018
WO	WO-2018/155295	A1	8/2018
WO	WO-2020/007496	A1	1/2020

OTHER PUBLICATIONS

E-Power Shape, E-Power X Vert, Bosch Active Line Plus, Japanese Patent Office, Design Division, Publication Material HC31001459, p. 3.

Notice of Allowance and English Translation received for JP Application No. 2020-025443 dated Apr. 20, 2021.

\* cited by examiner

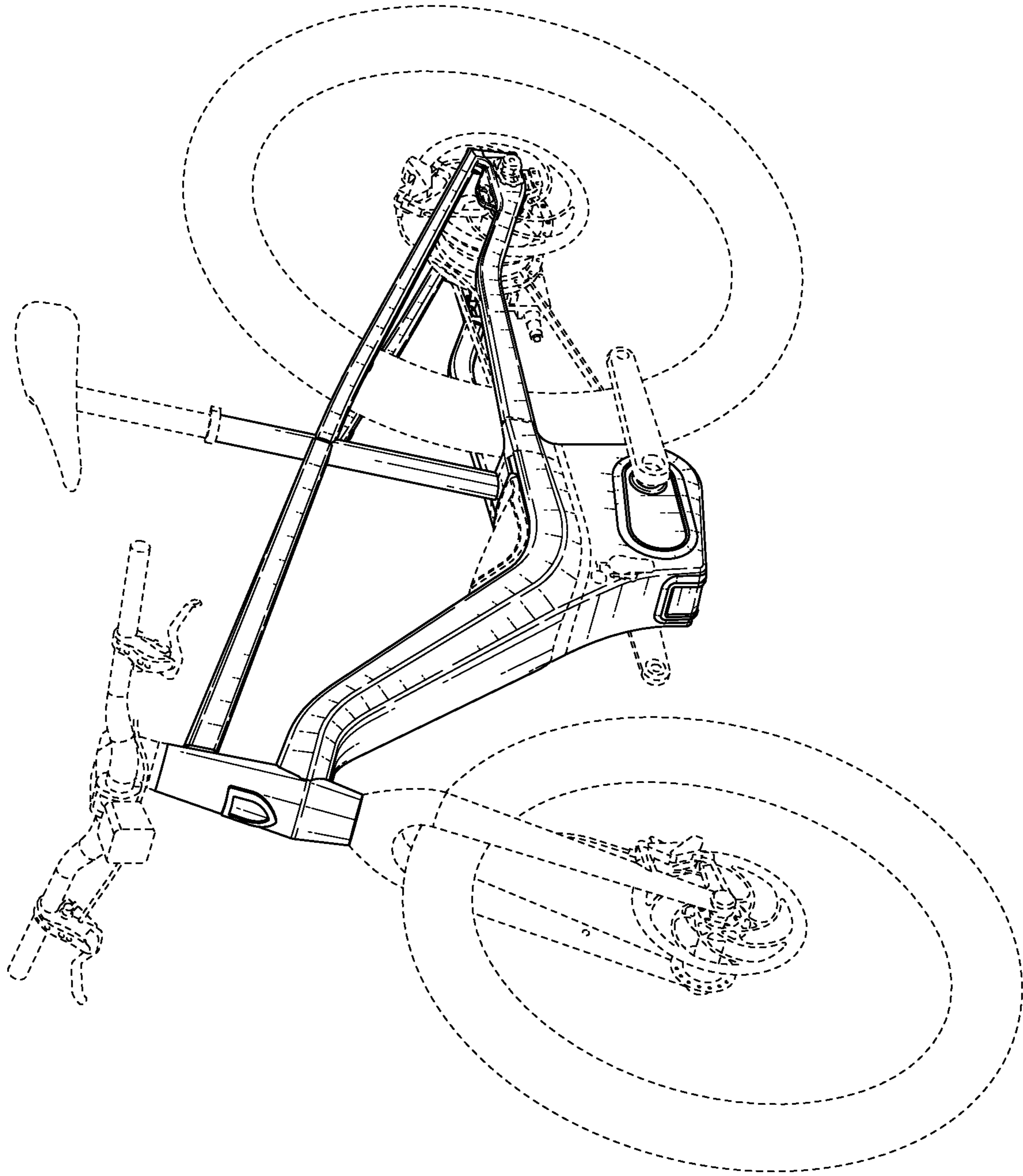


FIG. 1

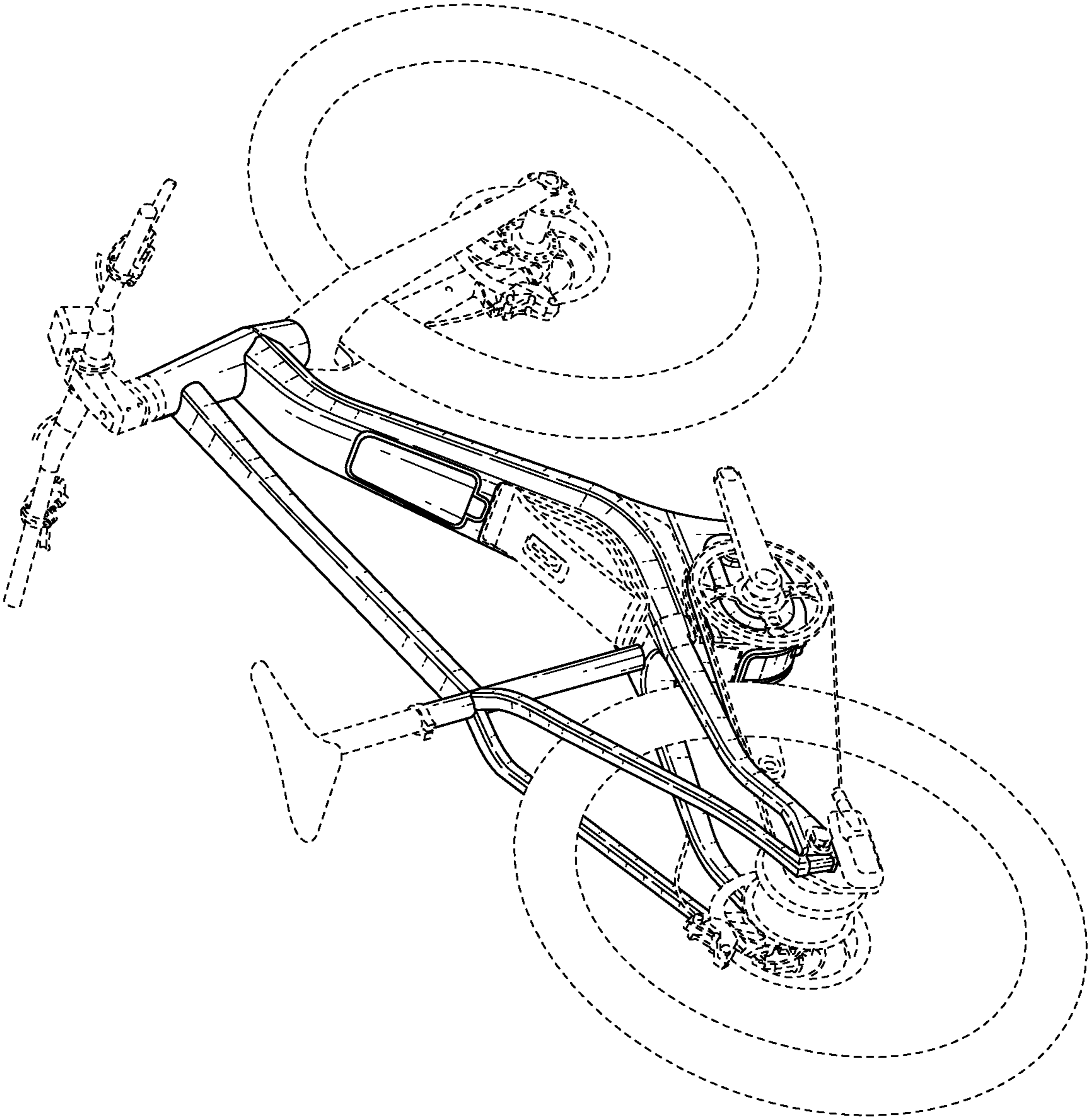


FIG. 2

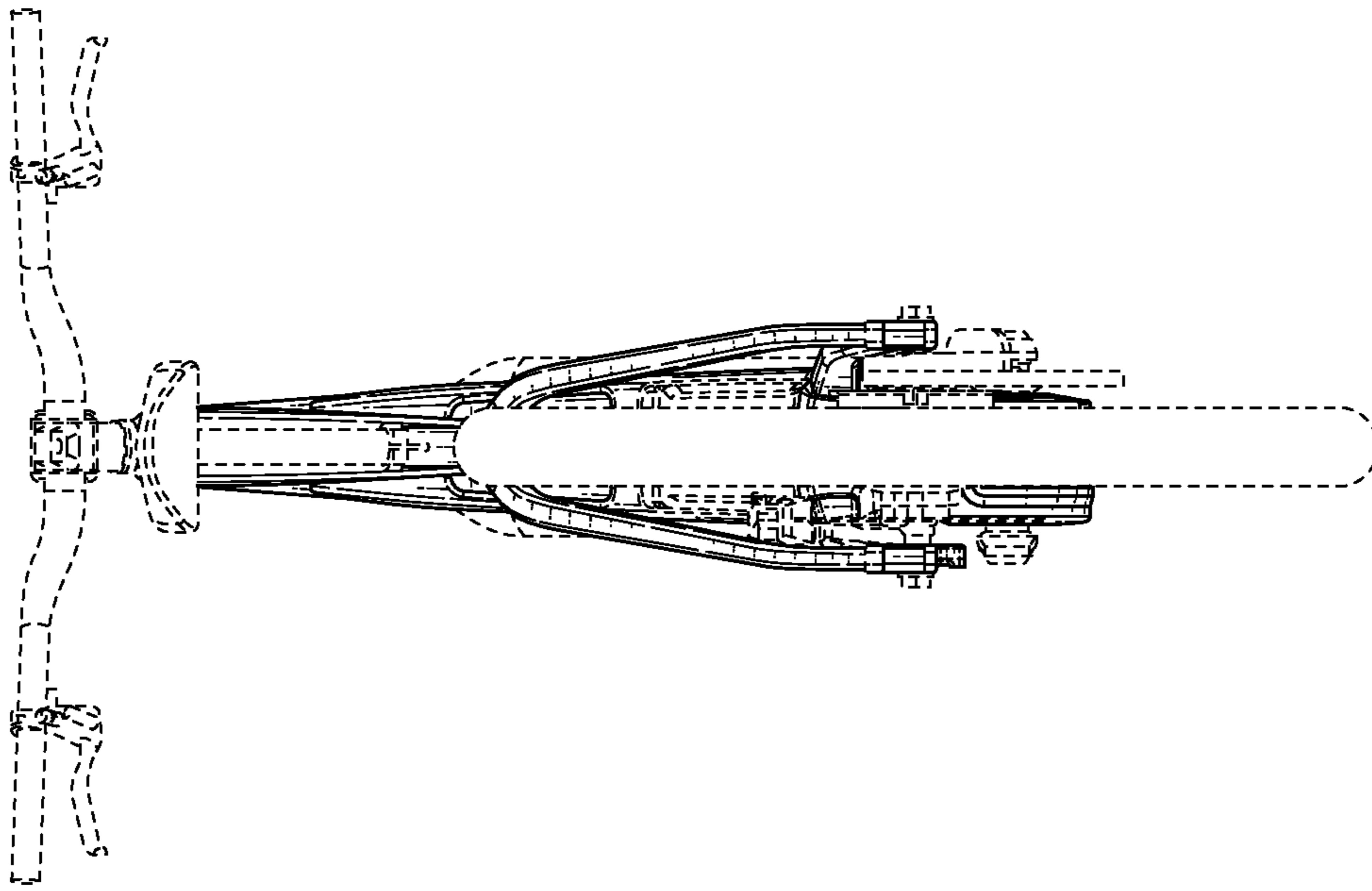


FIG. 4

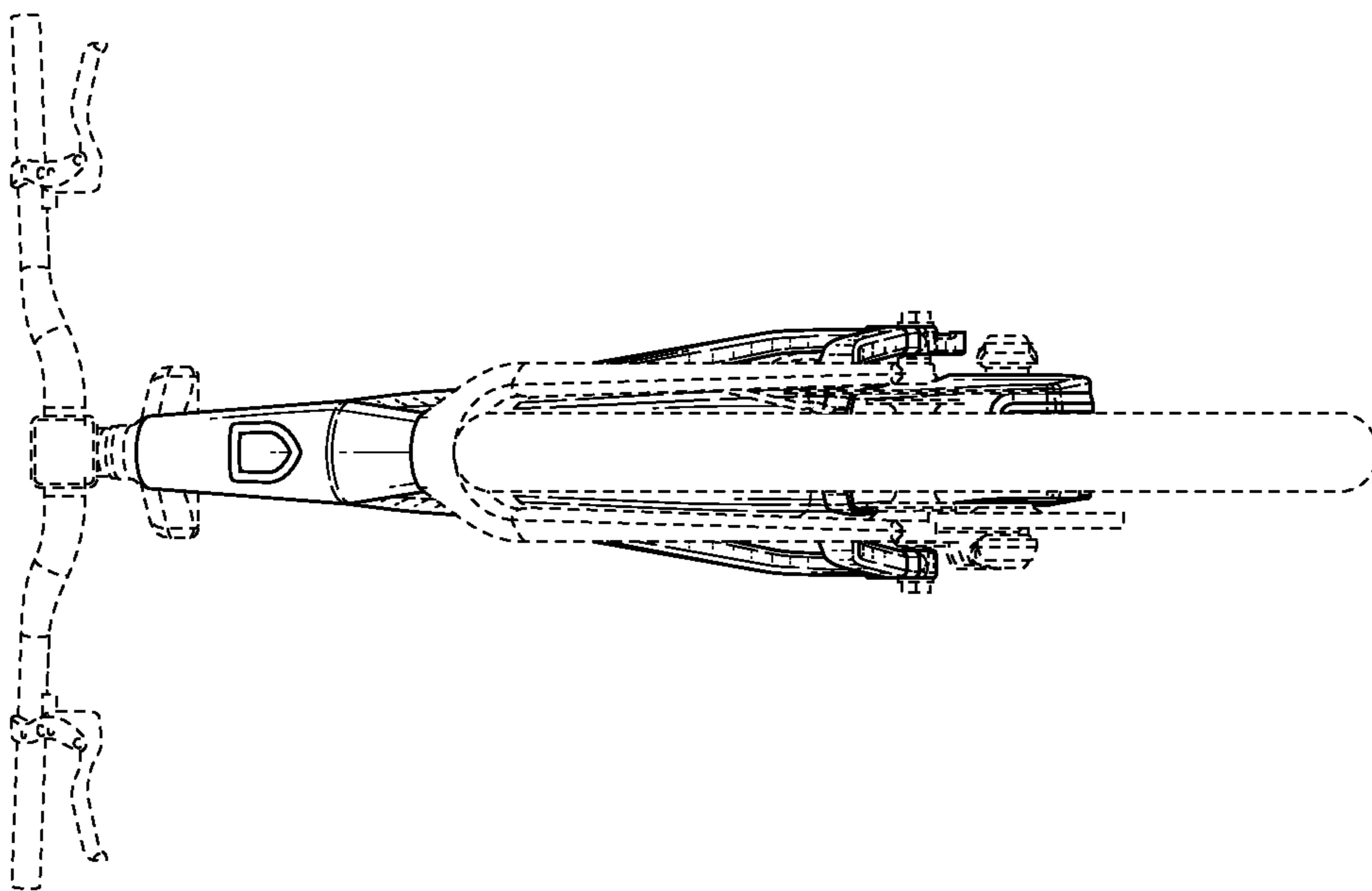


FIG. 3

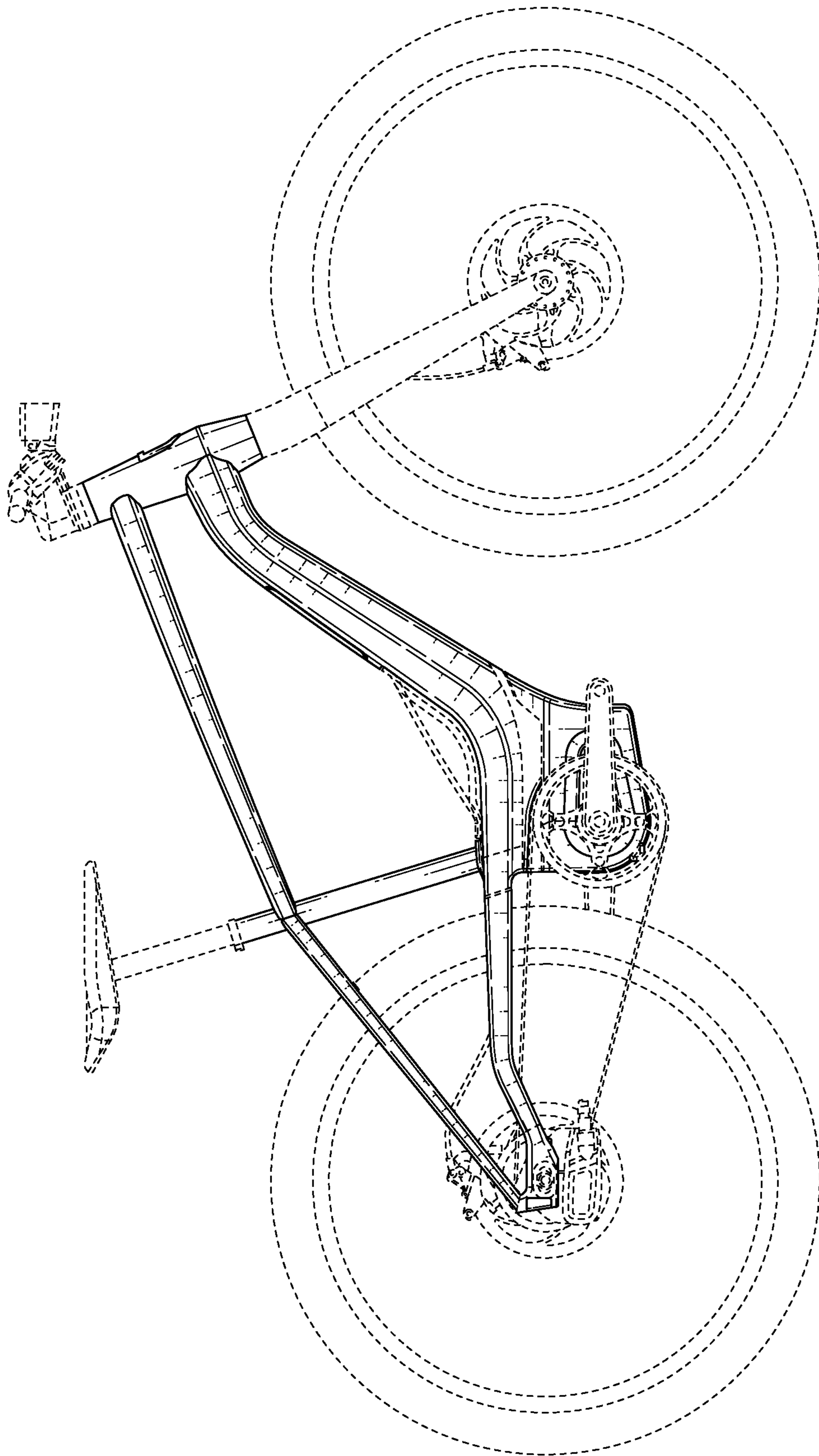


FIG. 5

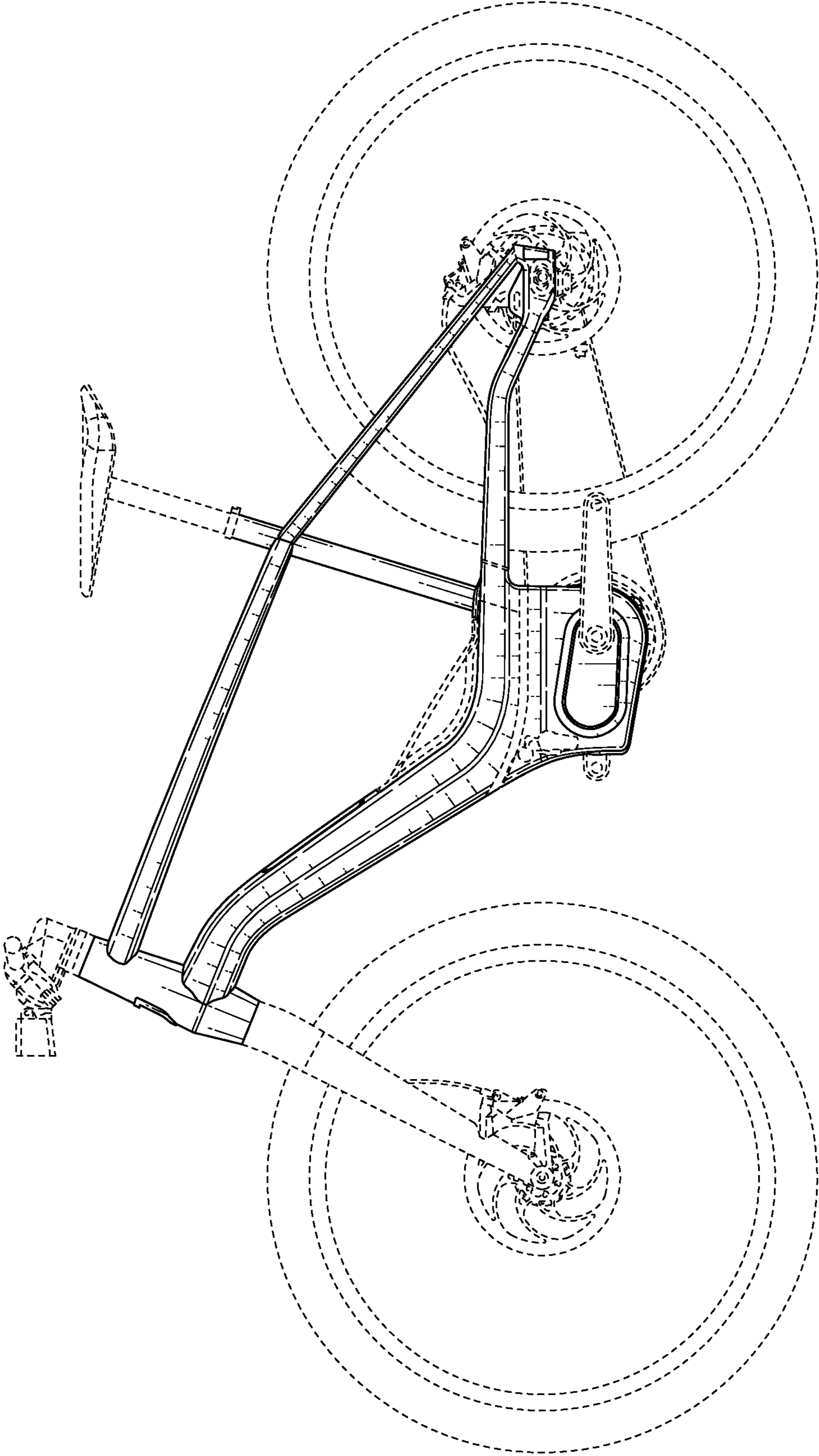


FIG. 6



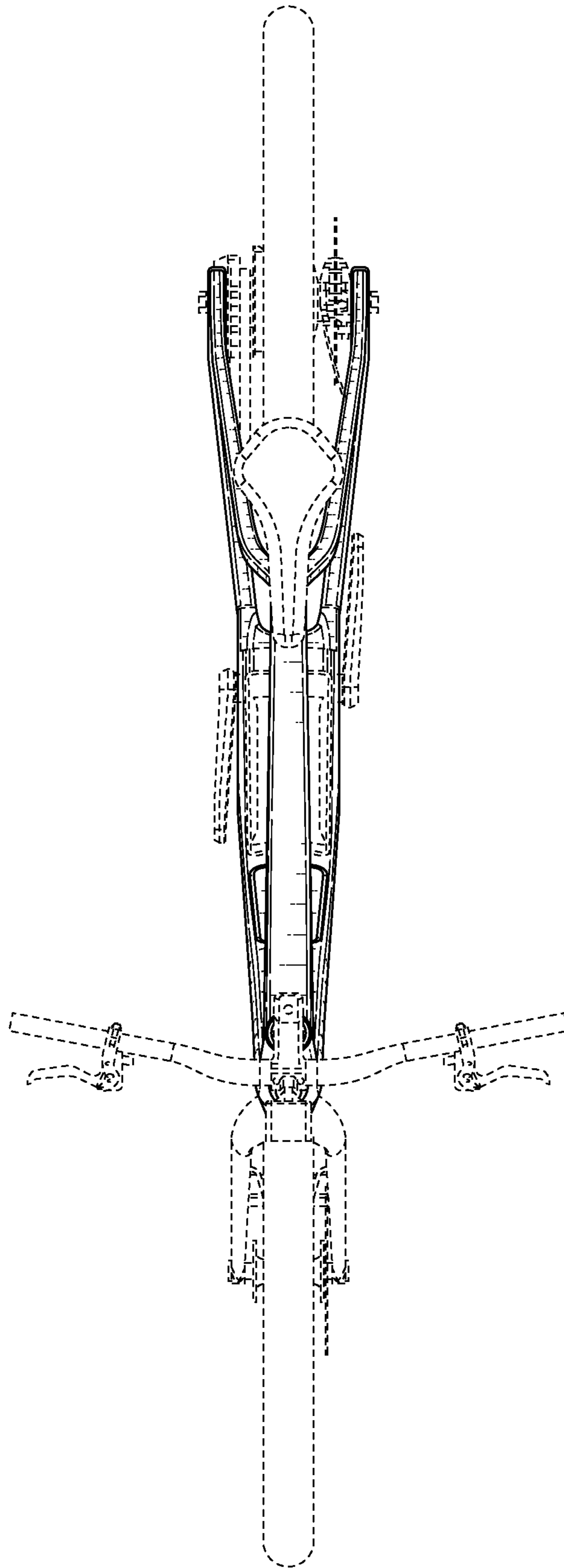


FIG. 7

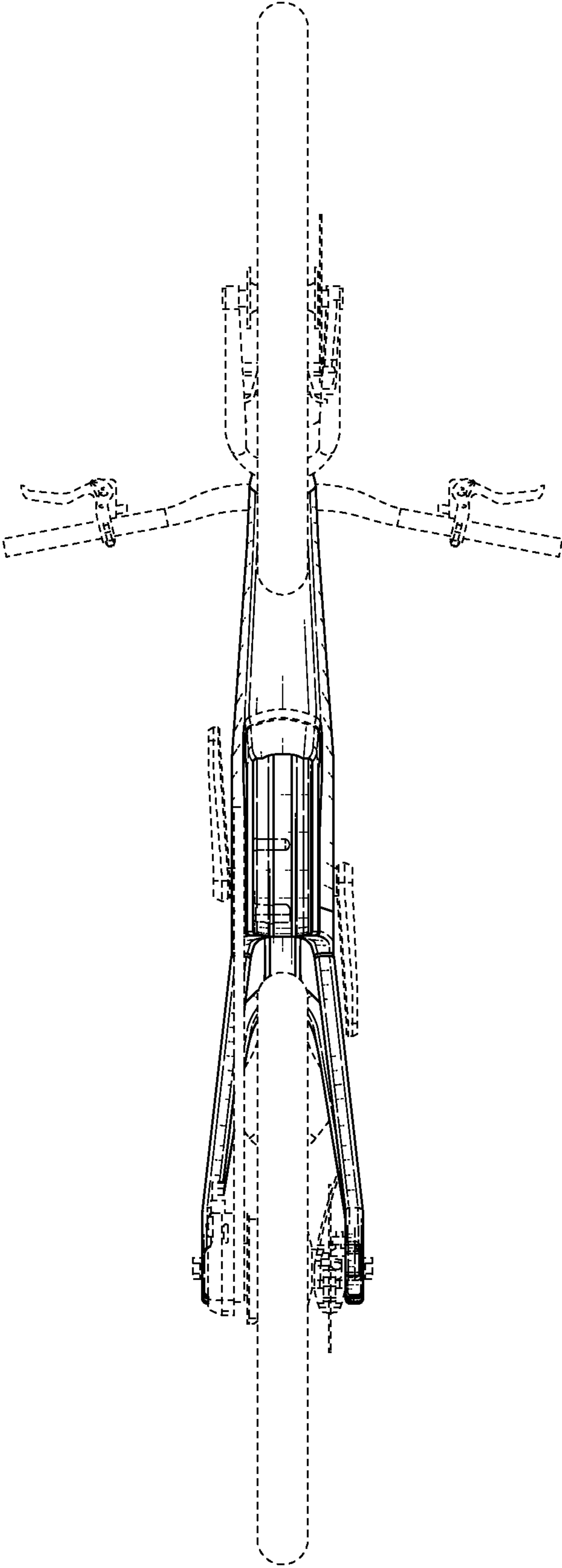


FIG. 8