



US00D929258S

(12) **United States Design Patent** (10) **Patent No.:** **US D929,258 S**  
**Wraith et al.** (45) **Date of Patent:** **\*\* Aug. 31, 2021**

(54) **MOTOR VEHICLE, TOY VEHICLE REPLICA AND/OR OTHER REPLICA**

D840,271 S \* 2/2019 Goodrich ..... D12/91  
D913,852 S \* 3/2021 Wraith ..... D12/91  
D913,853 S \* 3/2021 Wraith ..... D12/91

(71) Applicant: **Ford Global Technologies, LLC**,  
Dearborn, MI (US)

**OTHER PUBLICATIONS**

(72) Inventors: **Paul Wraith**, West Bloomfield, MI (US); **Martin B. Coons**, Detroit, MI (US); **Anthony Meyer**, Royal Oak, MI (US); **Young Kwon**, Cologne (DE); **Joseph F. Denatale, Jr.**, Royal Oak, MI (US); **Jonathan Szczupak**, Troy, MI (US)

Unknown, My observations from seeing see the actual 4-door Bronco raw, unpainted sheet metal shell, Feb. 15, 2020 <https://www.bronco6g.com/forum/threads/my-observations-from-seeing-see-the-actual-4-door-bronco-raw-unpainted-sheet-metal-shell.1048/>.

Unknown, Here's the 2021 Bronco's Tail Light Shape Illuminated, Feb. 19, 2020 <https://www.bronco6g.com/forum/threads/heres-the-2021-broncos-tail-light-shape-illuminated.1071/>.

Unknown, 2021 Bronco Interior Spied Undisguised!!, Feb. 25, 2020 <https://www.bronco6g.com/forum/threads/2021-bronco-interior-spied-undisguised.1096/>.

(73) Assignee: **Ford Global Technologies, LLC**,  
Dearborn, MI (US)

\* cited by examiner

(\*\*) Term: **15 Years**

*Primary Examiner* — Melody N Brown

(21) Appl. No.: **29/726,434**

(74) *Attorney, Agent, or Firm* — Michael Spenner

(22) Filed: **Mar. 3, 2020**

(57) **CLAIM**

(51) **LOC (13) Cl.** ..... **12-08**

The ornamental design for a motor vehicle, toy vehicle replica and/or other replica, as shown and described.

(52) **U.S. Cl.**

**DESCRIPTION**

USPC ..... **D12/91**

(58) **Field of Classification Search**

USPC ..... D12/86, 90-92, 88; D21/424, 433, 434, D21/533; 296/181.1-181.5, 183.1

CPC ..... B62D 25/00; B62D 25/06; B62D 33/00; B62D 35/00

See application file for complete search history.

FIG. 1 is a front elevational view of a motor vehicle, toy vehicle replica and/or other replica showing our new design; FIG. 2 is a rear elevational view thereof; FIG. 3 is a left side elevational view thereof; FIG. 4 is a right side elevational view thereof; FIG. 5 is a top plan view thereof.

FIG. 6 is a top, front, and left side perspective view thereof; and,

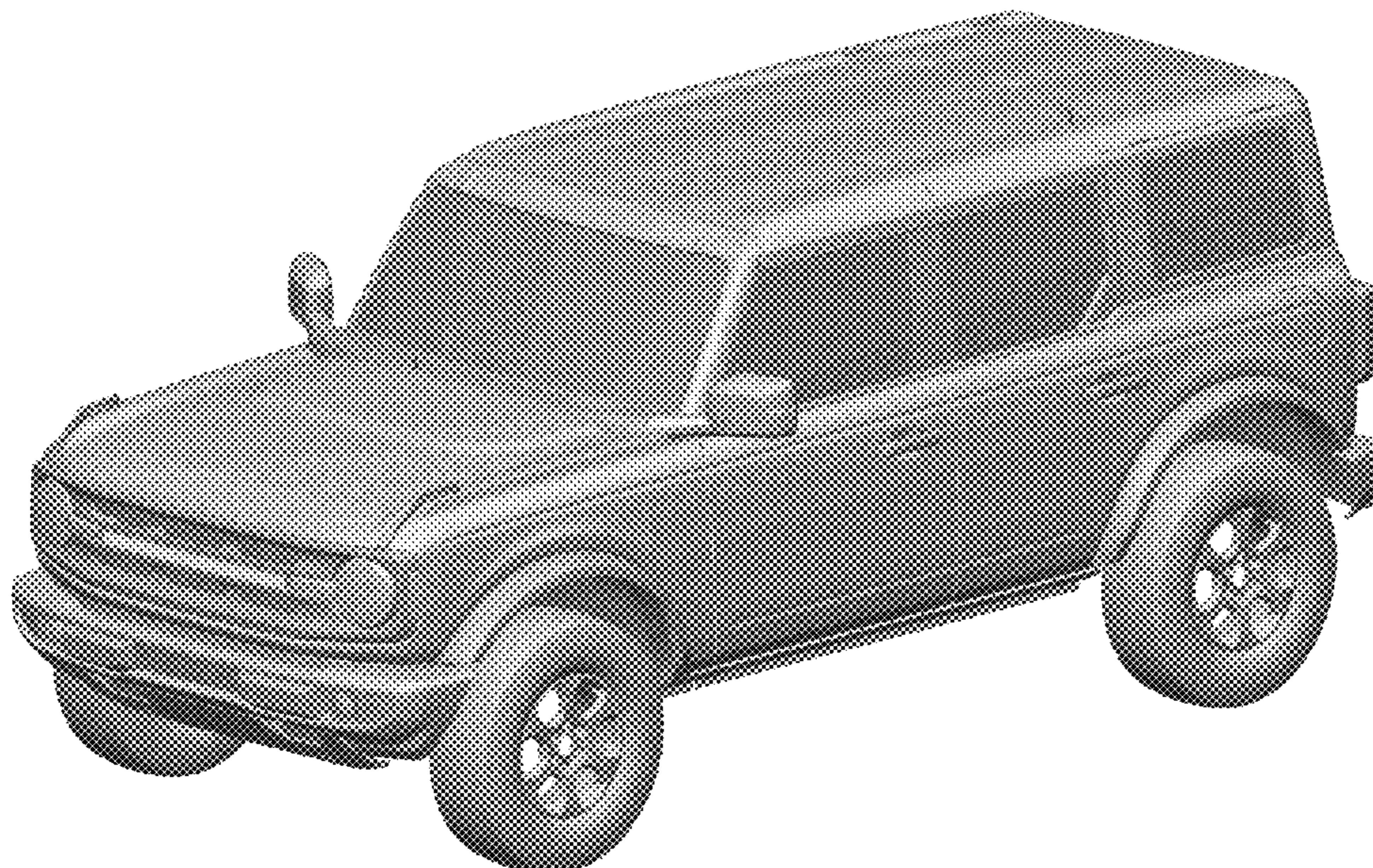
FIG. 7 is a top, rear, and left side perspective view thereof. The claimed design is indicated by the relatively dark portions in the figures. The de-emphasized and relatively light portions form no part of the claimed design.

(56) **References Cited**

**U.S. PATENT DOCUMENTS**

D801,860 S \* 11/2017 Piscitelli ..... D12/91  
D810,626 S \* 2/2018 Macey ..... D12/91  
D827,495 S \* 9/2018 Piscitelli ..... D12/91  
D840,270 S \* 2/2019 Goodrich ..... D12/91

**1 Claim, 7 Drawing Sheets**



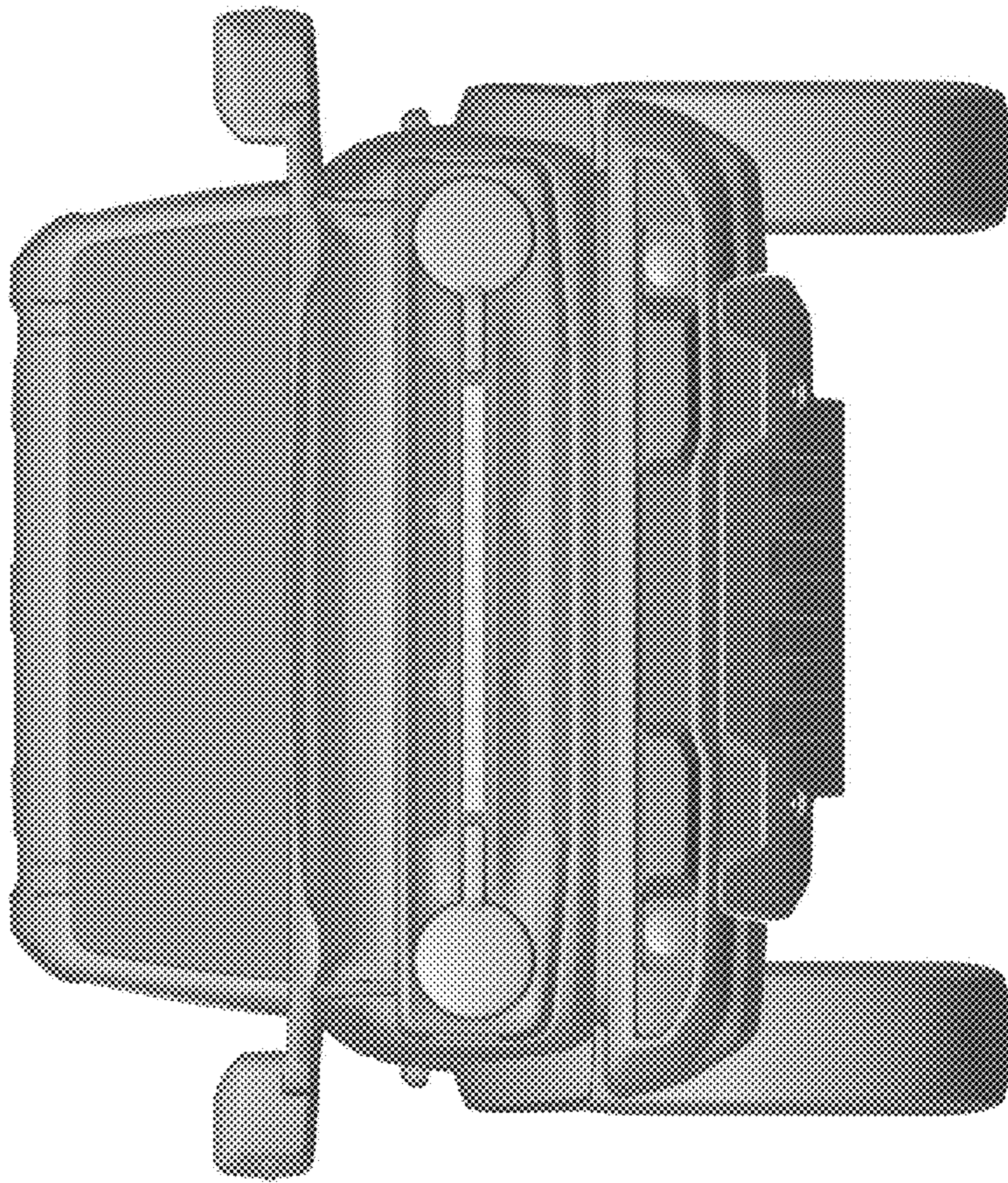


Fig. 1

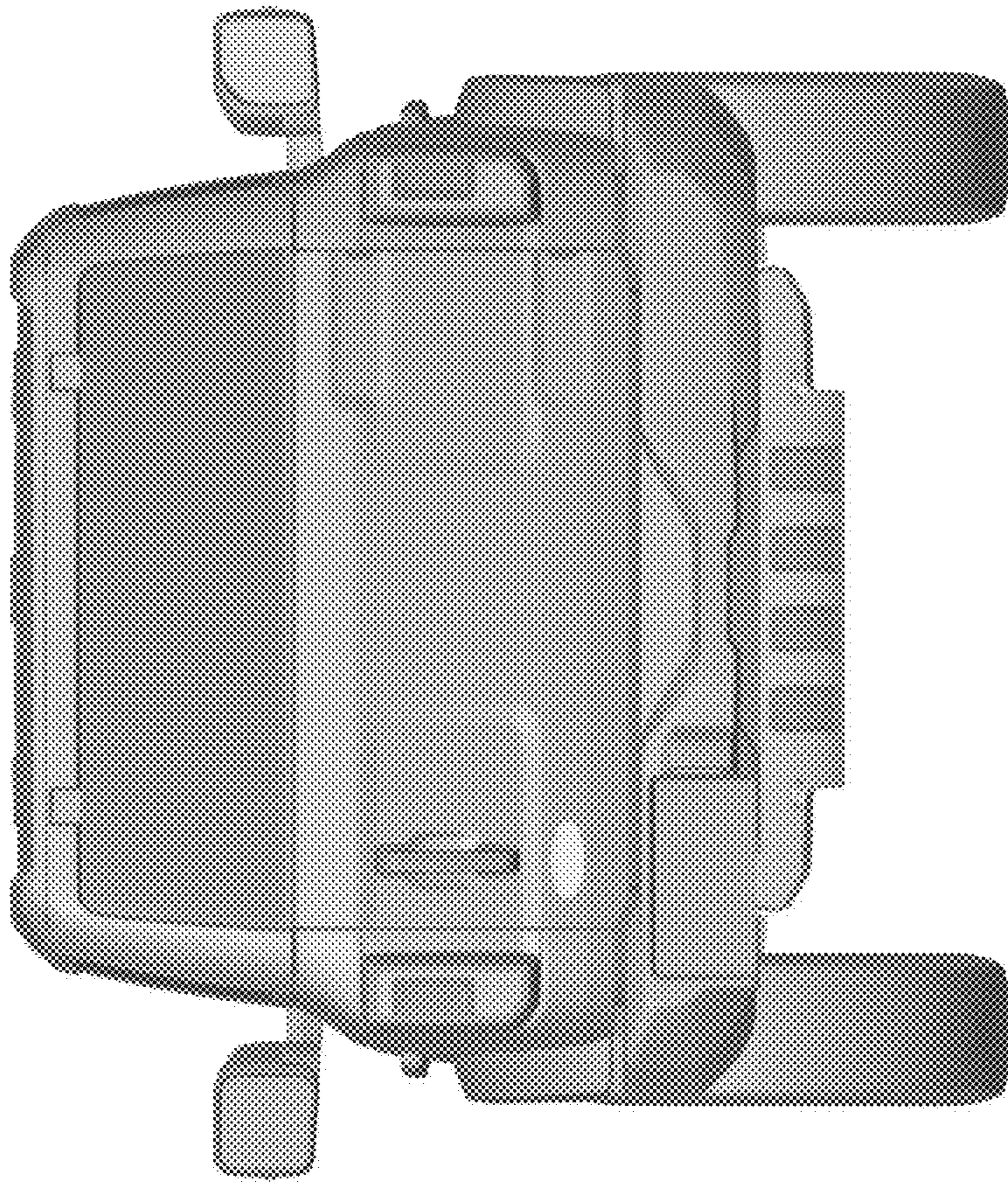


Fig. 2

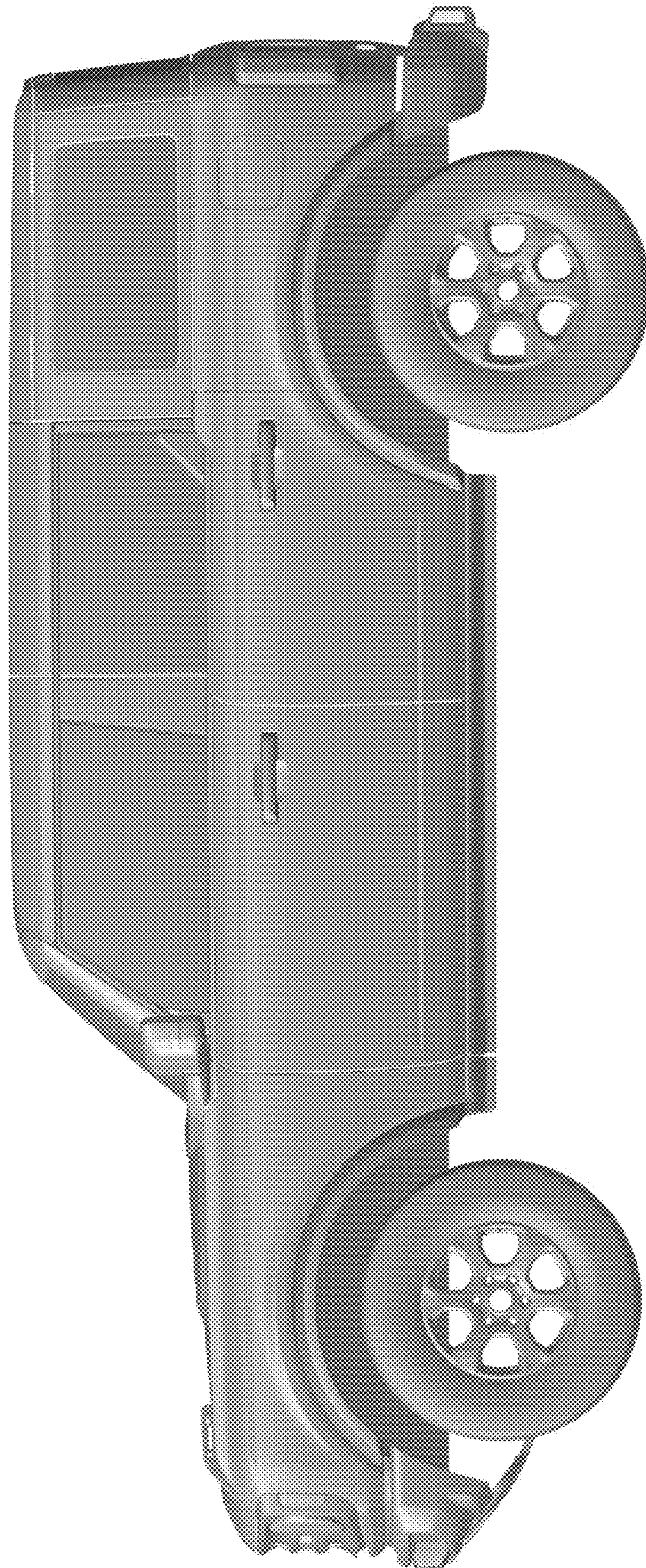


Fig. 3

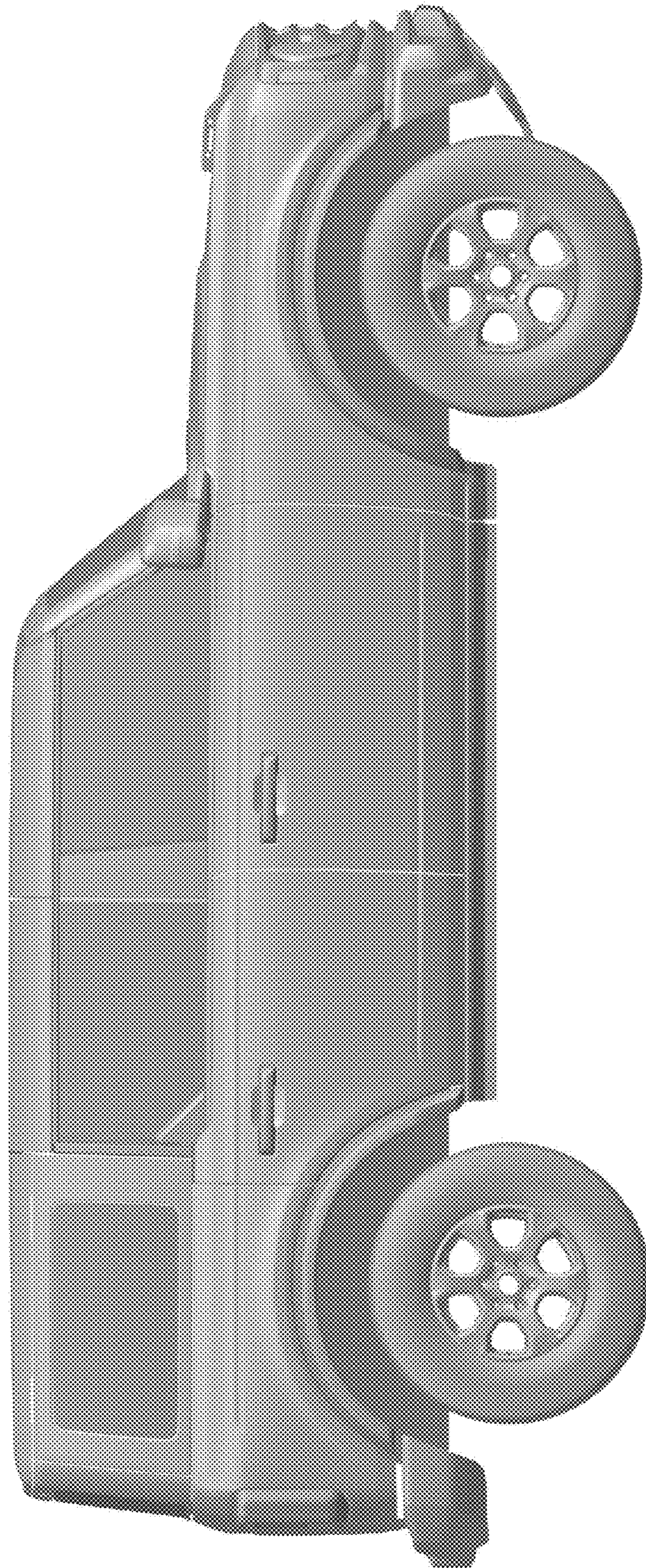


Fig.4



Fig. 5

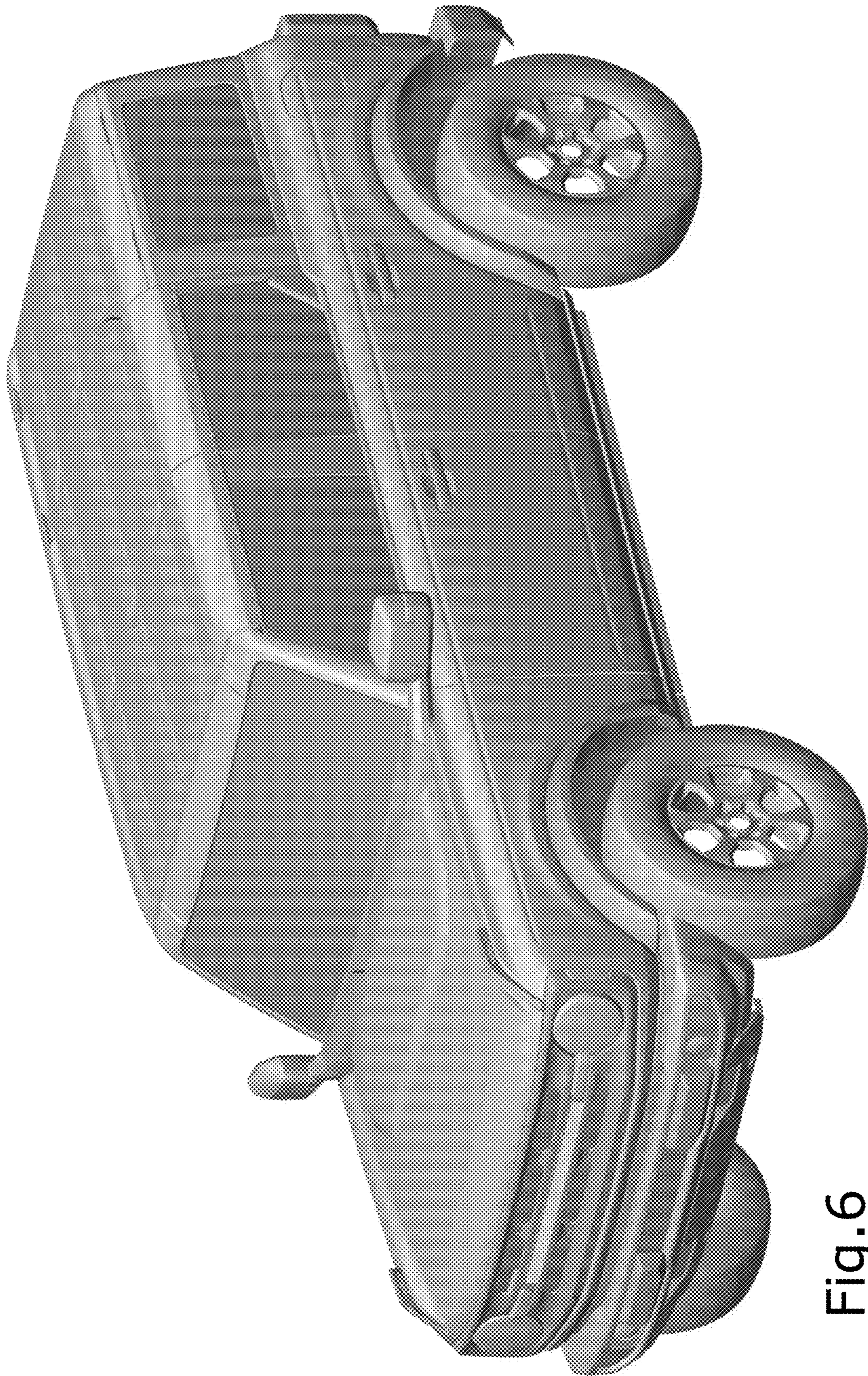


Fig. 6

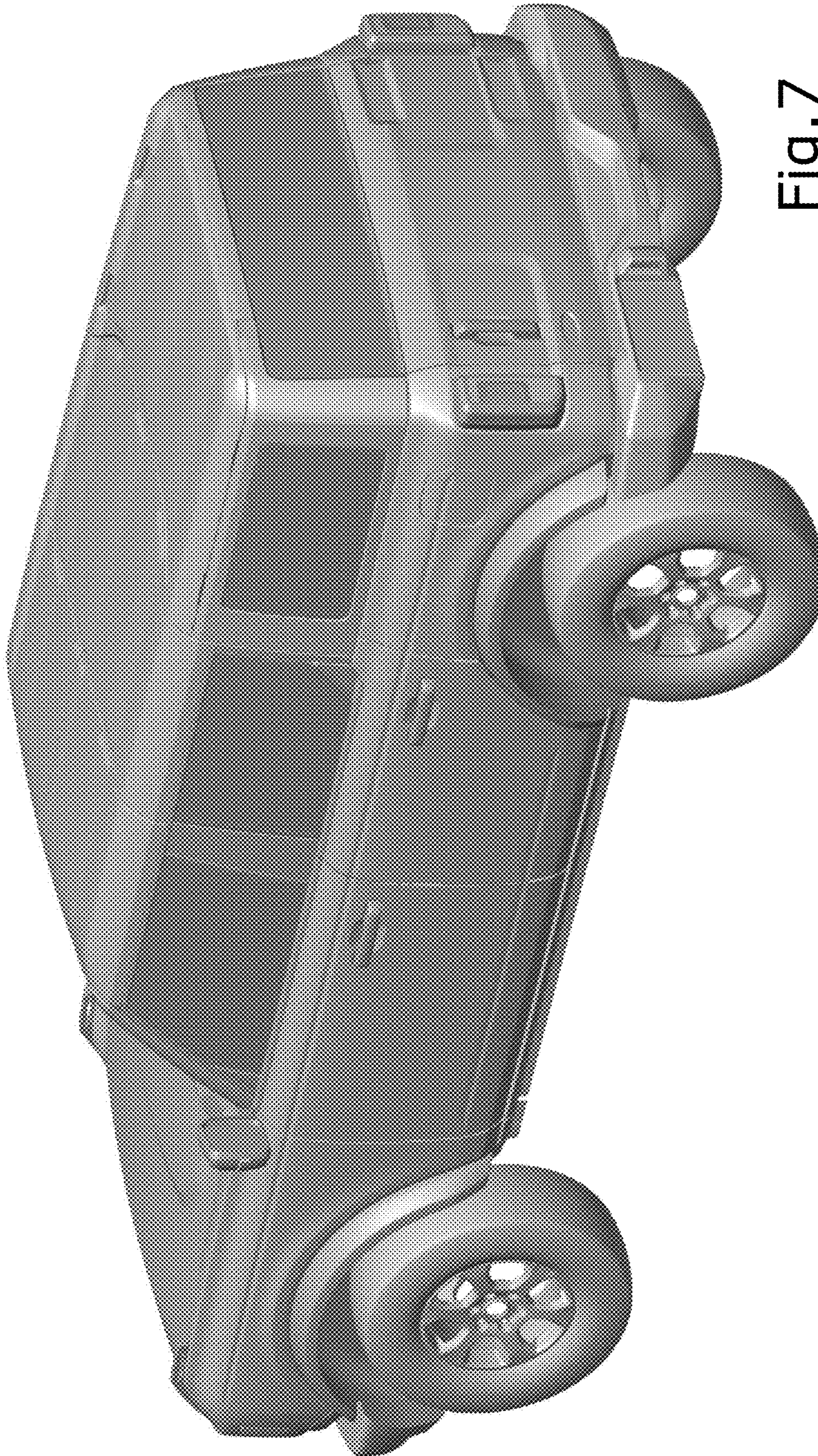


Fig. 7