



US00D929255S

(12) **United States Design Patent**
Choi

(10) **Patent No.:** **US D929,255 S**

(45) **Date of Patent:** **** Aug. 31, 2021**

(54) **BELT BUCKLE**

CPC A44B 11/25; A44B 11/26; A44B 11/00;
A44B 11/001; A44B 11/005; A44B 11/06;
A44B 11/04; A44B 11/22; A44B 11/24;
A44C 15/004; A44C 1/00

(71) Applicant: **Moon Kyung Choi**, Goyang-si (KR)

(72) Inventor: **Moon Kyung Choi**, Goyang-si (KR)

See application file for complete search history.

(**) Term: **15 Years**

(56) **References Cited**

(21) Appl. No.: **35/510,525**

U.S. PATENT DOCUMENTS

(22) Filed: **Sep. 2, 2020**

D134,069 S * 10/1942 Suarez D11/61
D134,070 S * 10/1942 Suarez D11/61
D312,761 S * 12/1990 Tremonti D11/61
D686,530 S * 7/2013 Paik D11/216
D798,191 S * 9/2017 Zander D11/222
D837,682 S * 1/2019 Ellingson D11/200

(80) **Hague Agreement Data**

Int. Filing Date: **Sep. 2, 2020**
Int. Reg. No.: **DM/210488**
Int. Reg. Date: **Sep. 2, 2020**
Int. Reg. Pub. Date: **Oct. 9, 2020**

* cited by examiner

Primary Examiner — Melanie Pellegrini

(30) **Foreign Application Priority Data**

(57) **CLAIM**

Mar. 10, 2020 (KR) 30-2020-0010710

The ornamental design for a belt buckle, as shown and described.

(51) **LOC (13) Cl.** **02-07**

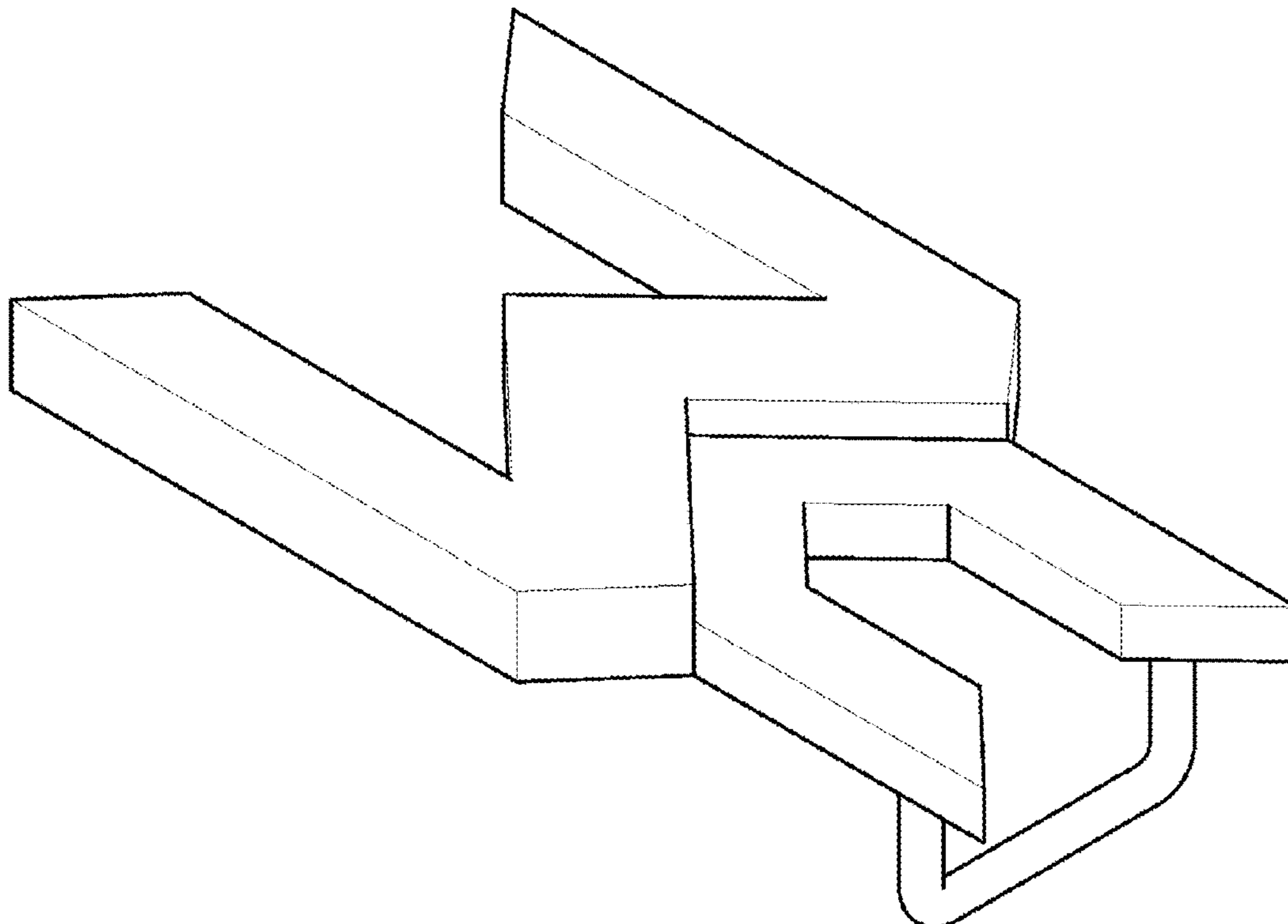
DESCRIPTION

(52) **U.S. Cl.**
USPC **D11/232**

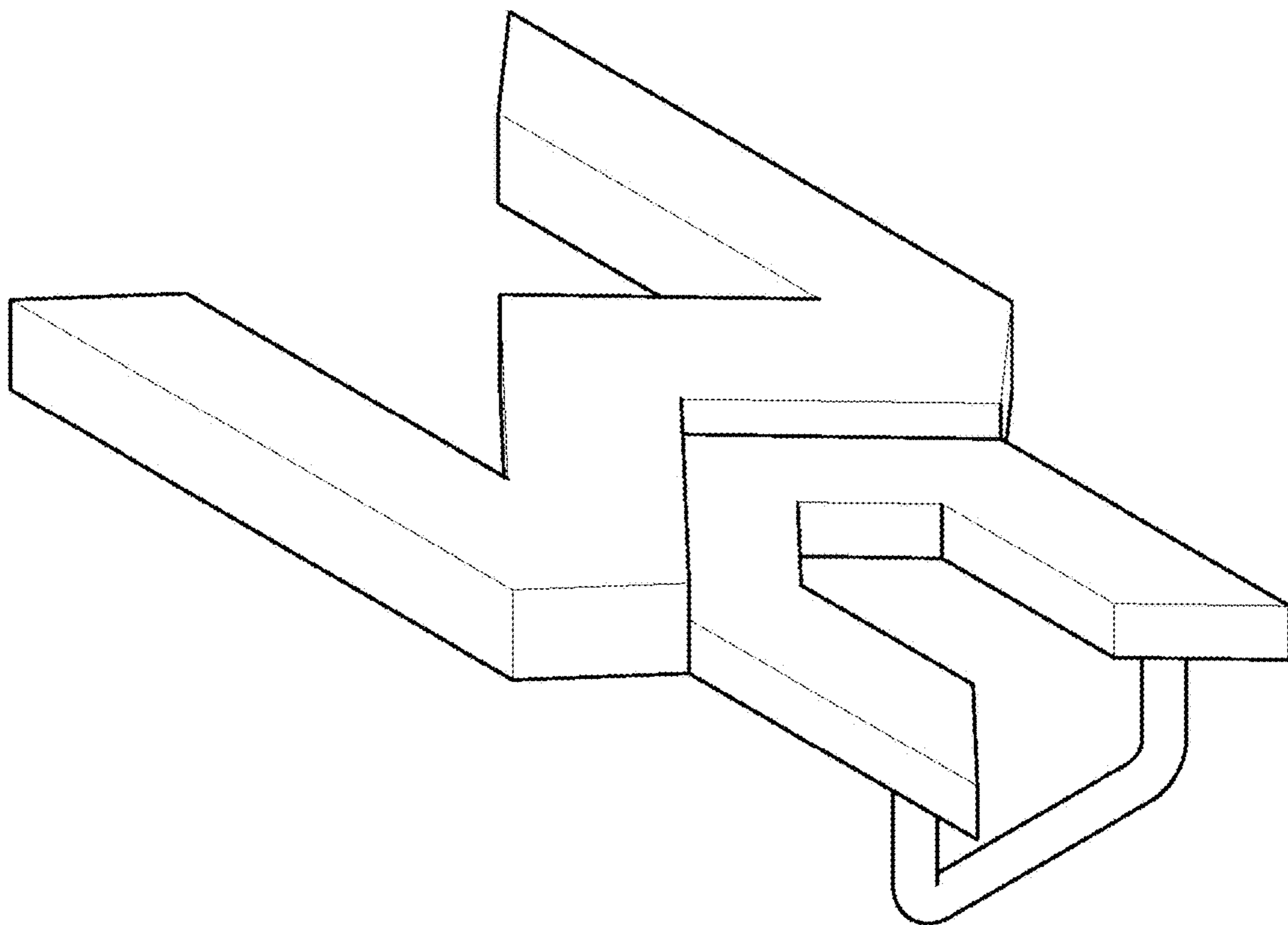
(58) **Field of Classification Search**
USPC D11/200, 202, 229, 61, 201, 206, 209,
D11/213, 214, 221, 226, 230, 231, 232,
D11/86, 87, 234, 233, 235, 236, 237, 238,
D11/1-2, 22, 40, 79; 24/163 R, 170, 335,
24/616, 173, 177-179, 191, 194-195,
24/197, 200, 578.11, 578.1; D2/976, 978,
D2/971, 853, 624

- 1. Belt buckle
- 1.1 : Perspective
- 1.2 : Front
- 1.3 : Back
- 1.4 : Top
- 1.5 : Bottom
- 1.6 : Left
- 1.7 : Right

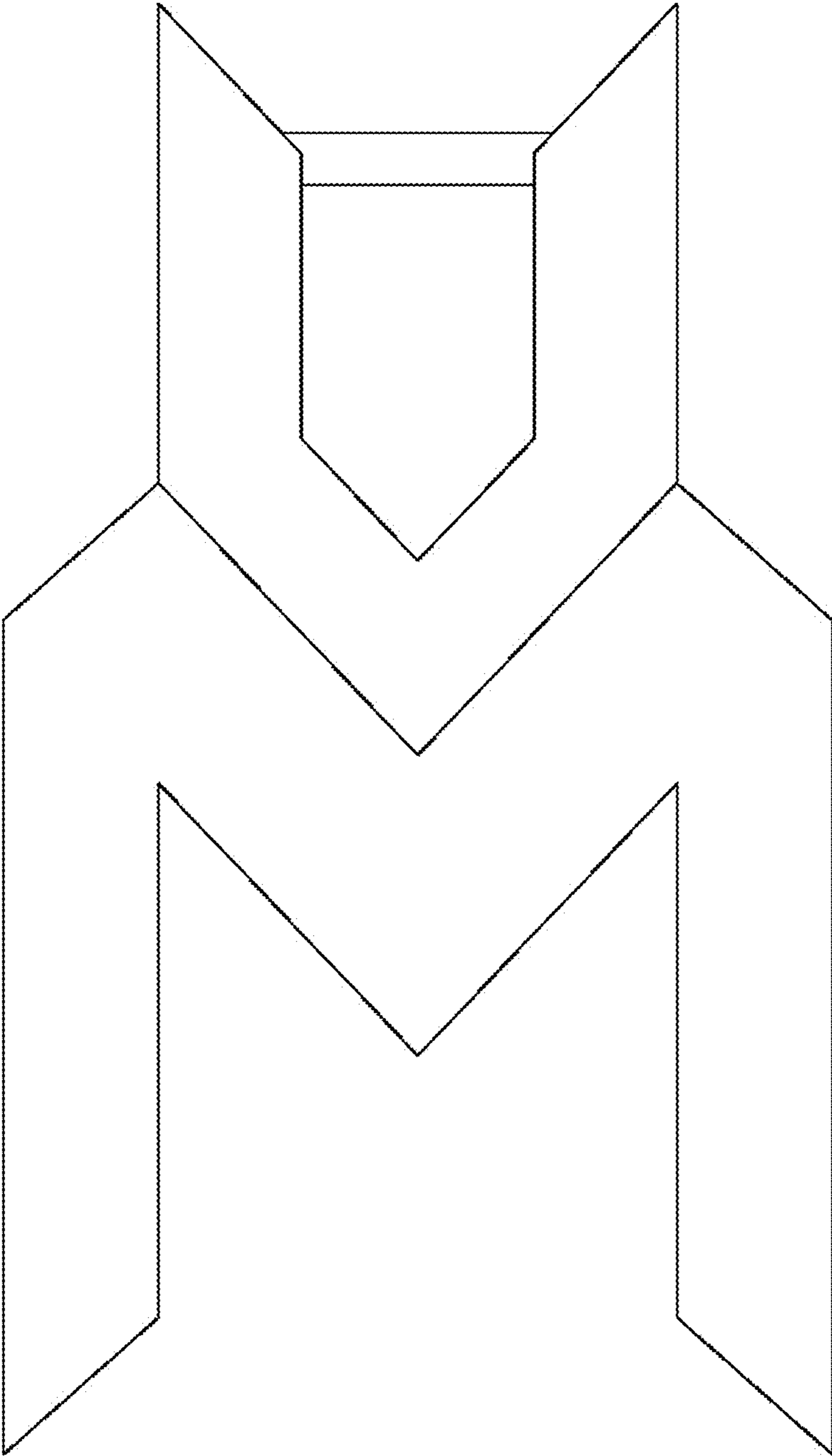
1 Claim, 7 Drawing Sheets



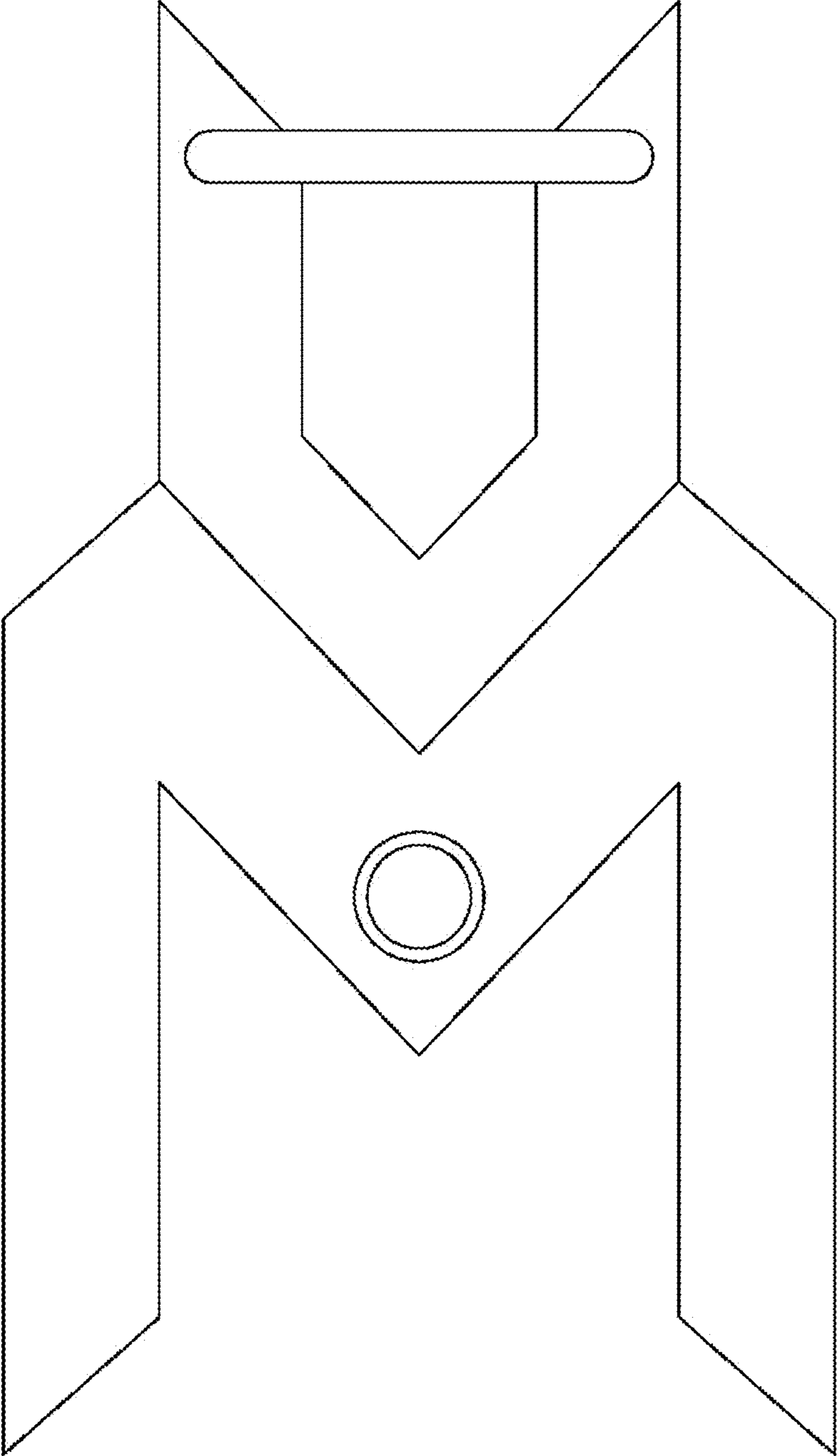
1.1



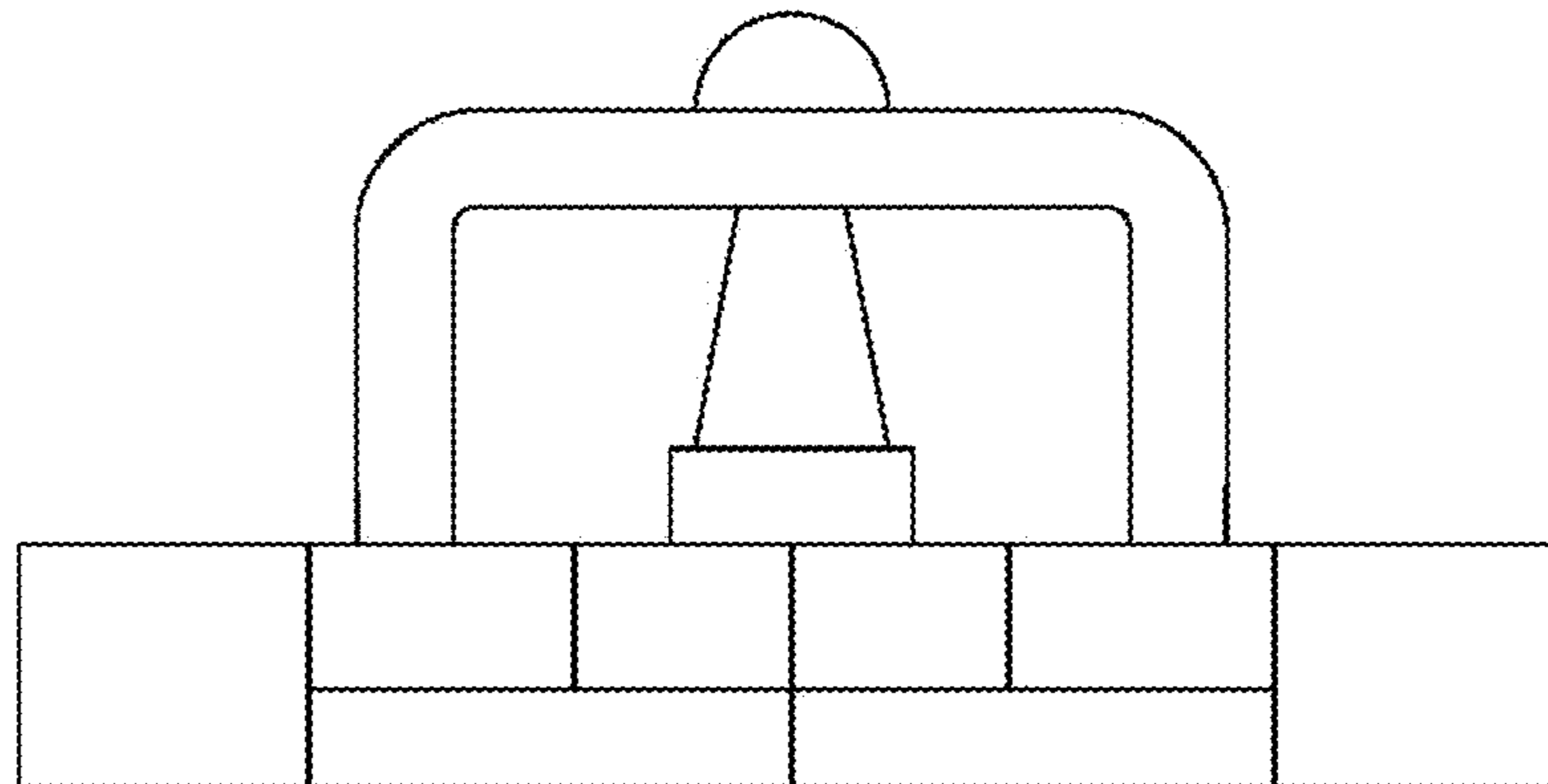
1.2



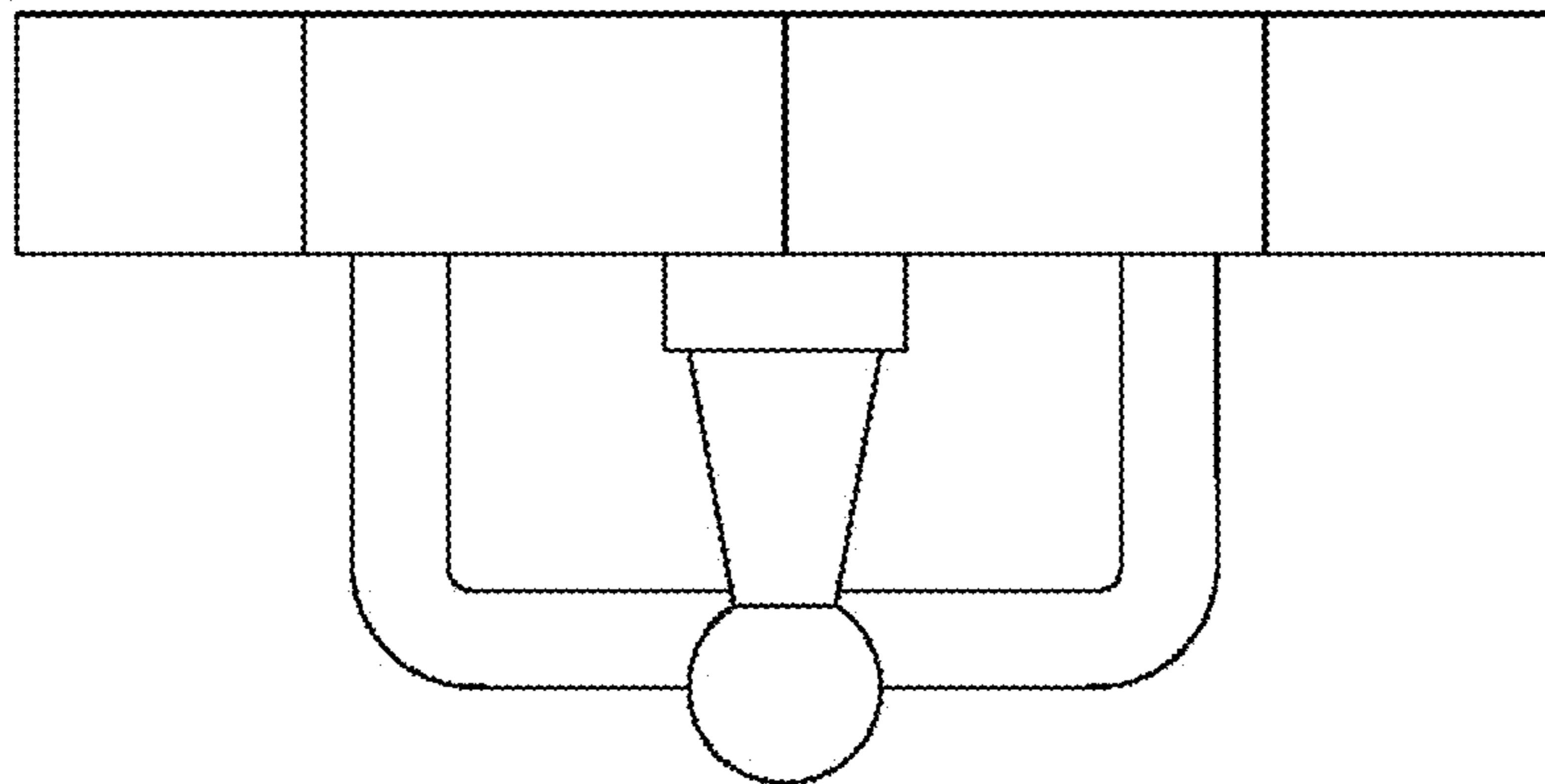
1.3



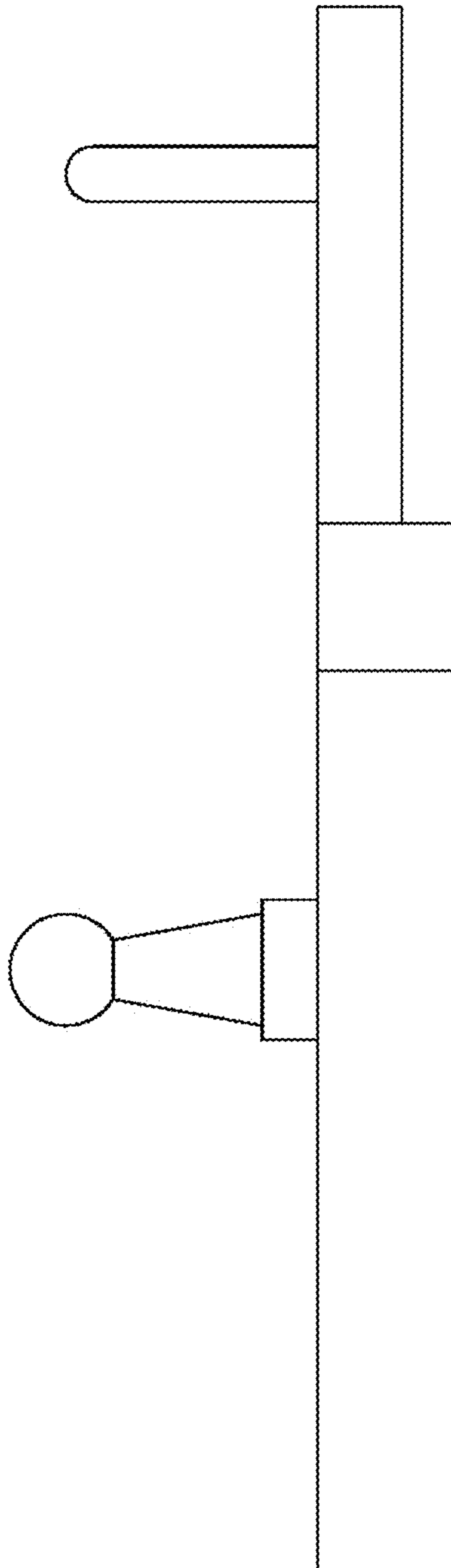
1.4



1.5



1.6



1.7

