



US00D929254S

(12) **United States Design Patent**
Barile

(10) **Patent No.:** **US D929,254 S**

(45) **Date of Patent:** **** Aug. 31, 2021**

- (54) **FLOWERPOT**
- (71) Applicant: **GABE S.R.L.**, Terlizzi (IT)
- (72) Inventor: **Gioacchino Barile**, Terlizzi (IT)
- (**) Term: **15 Years**
- (21) Appl. No.: **29/719,565**
- (22) Filed: **Jan. 6, 2020**
- (51) **LOC (13) Cl.** **11-02**
- (52) **U.S. Cl.**
USPC **D11/143**
- (58) **Field of Classification Search**
USPC D11/143–156, 164; D7/586, 587;
D9/430
CPC A01G 9/02; A01G 9/021; A01G 9/022;
A01G 9/04; A01G 27/003; A01G 27/005;
A01G 27/008; A47G 7/00; A47G 7/02;
A47G 7/06; A47G 7/08
See application file for complete search history.

- 4,355,485 A * 10/1982 Frank A01G 9/023
47/82
- 4,623,063 A * 11/1986 Balkin B65D 85/04
206/303
- D343,509 S * 1/1994 Scott, Jr. D8/1
- D490,310 S * 5/2004 Aggenberg D9/430
- D582,266 S * 12/2008 Helms, Jr. D9/430
- D599,634 S * 9/2009 Taylor, Jr. D8/29
- D684,889 S * 6/2013 Tang D11/143
- D693,181 S * 11/2013 Chase D7/586
- D714,596 S * 10/2014 Forno D8/1
- 9,272,812 B2 * 3/2016 Shuert B65D 19/18
- 9,302,834 B2 * 4/2016 Campesino B65D 71/36
- 10,178,908 B1 * 1/2019 Tseng A47B 47/0091
- D863,055 S * 10/2019 Hudson D9/430
- D893,222 S * 8/2020 Tseng D6/678
- D912,678 S * 3/2021 O'Donnell D14/445
- 2012/0279155 A1 * 11/2012 Mortreuil A01G 9/28
52/379

* cited by examiner

Primary Examiner — Elizabeth A. Albert

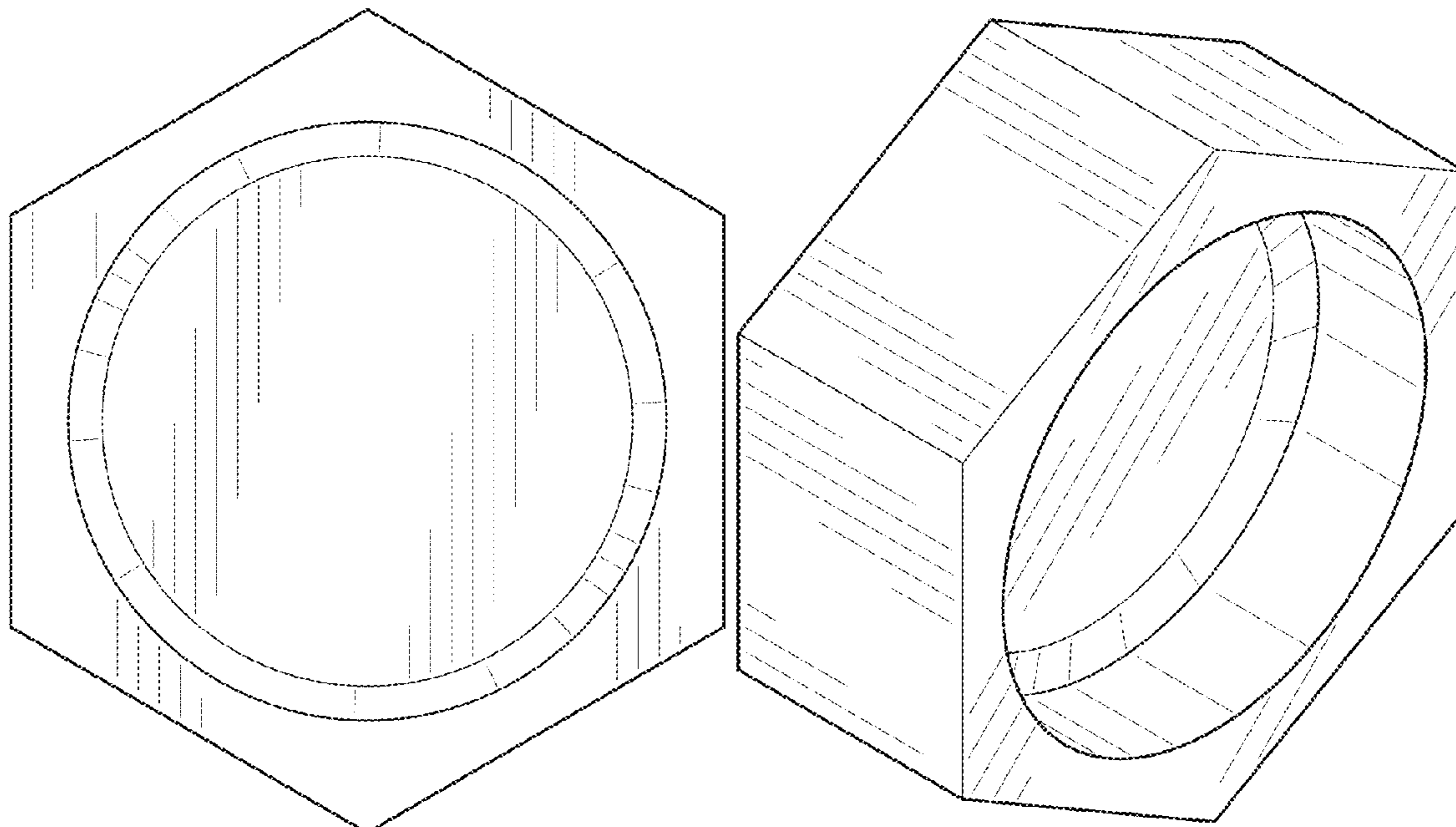
(57) **CLAIM**

The ornamental design for a flowerpot, as shown and described.

DESCRIPTION

FIG. 1 is a top view of a flowerpot showing my new design. FIG. 2 is a top, rear and left side perspective view thereof; FIG. 3 is top, front and right side perspective view thereof; FIG. 4 is a side view thereof, an opposite side view being identical; FIG. 5 is a front view thereof, a rear view being identical; and, FIG. 6 is a bottom view thereof. The broken lines of FIG. 6 illustrate portions of the flowerpot that form no part of the claimed design.

1 Claim, 2 Drawing Sheets



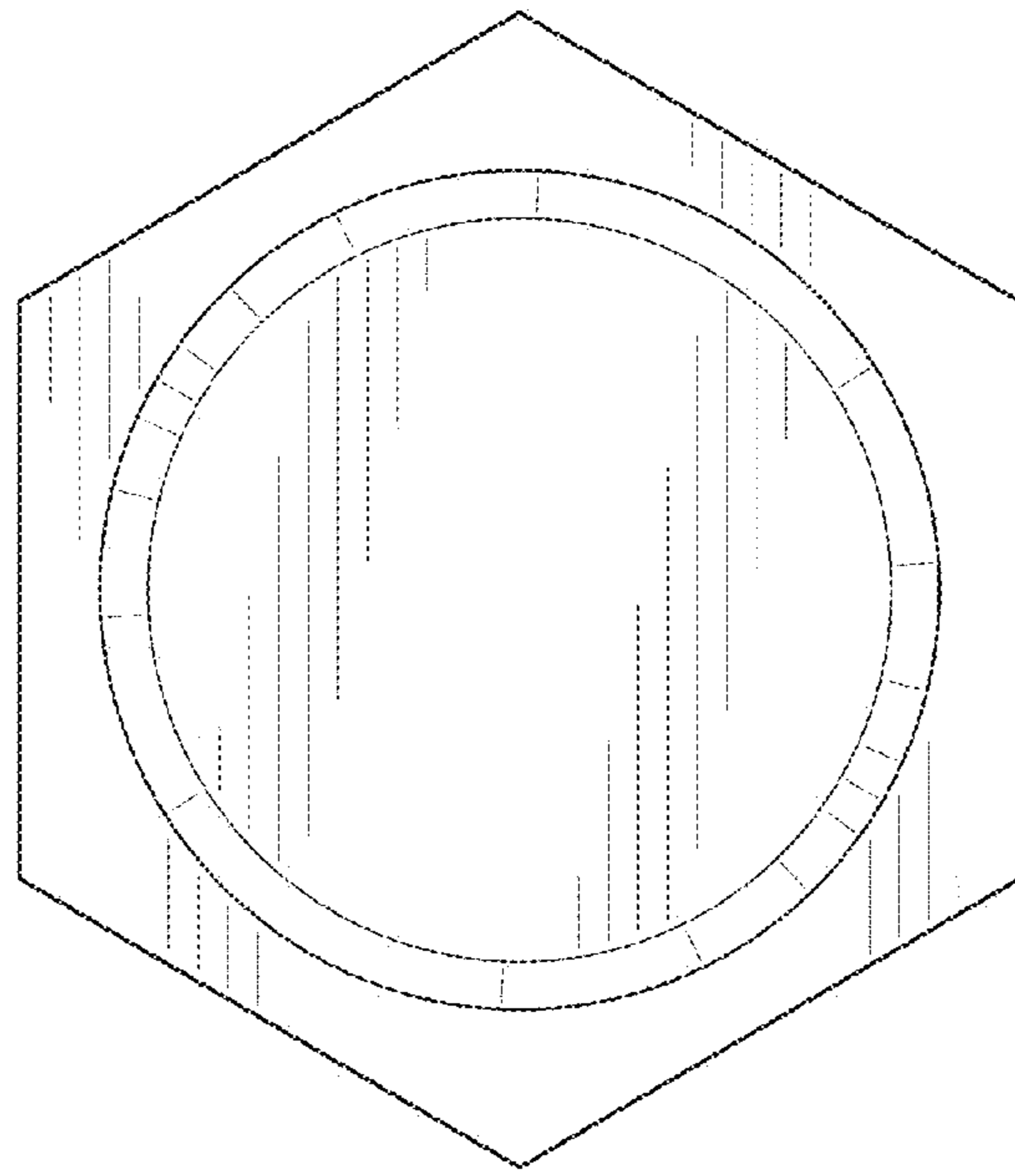


FIG. 1

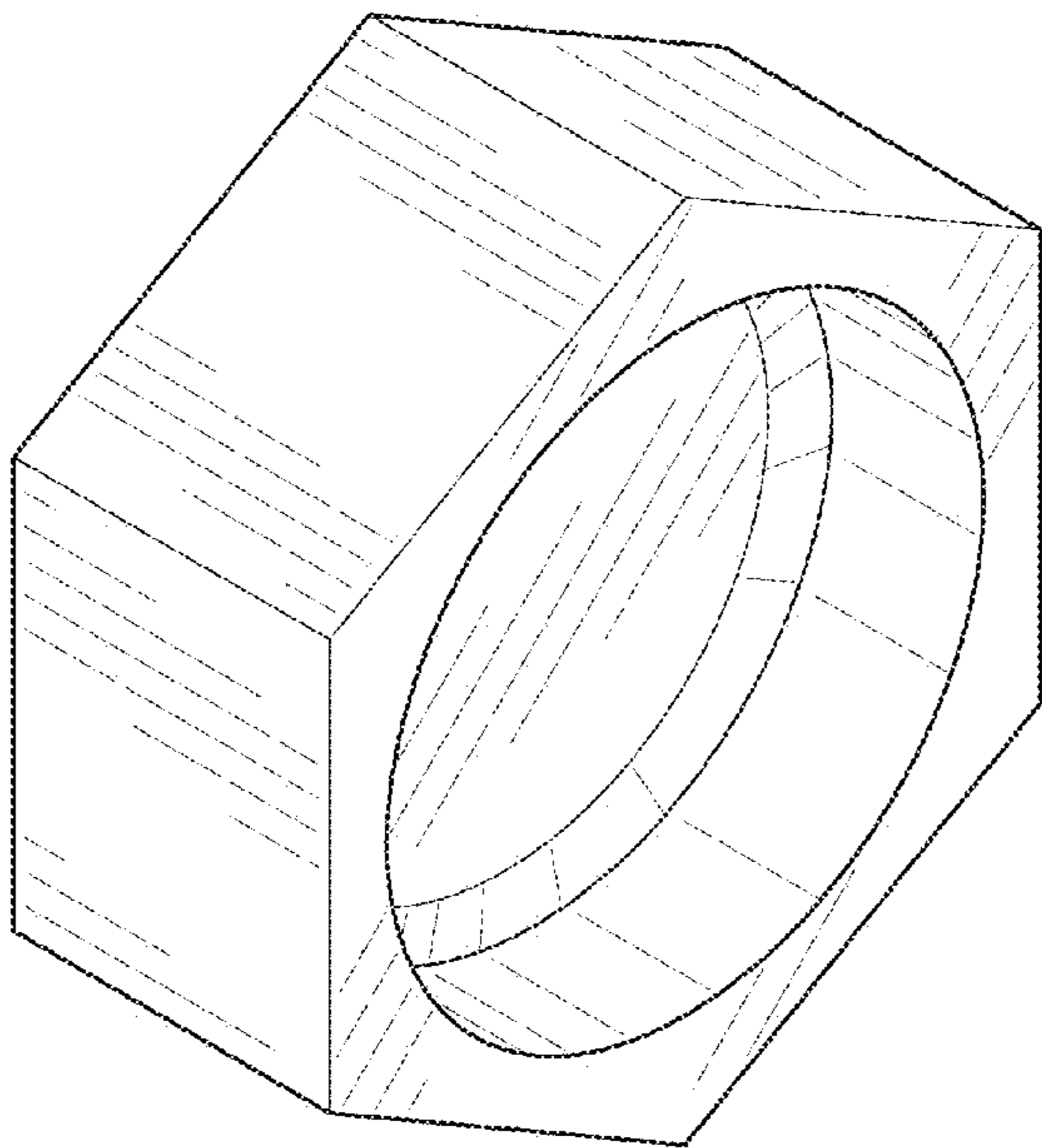


FIG. 2

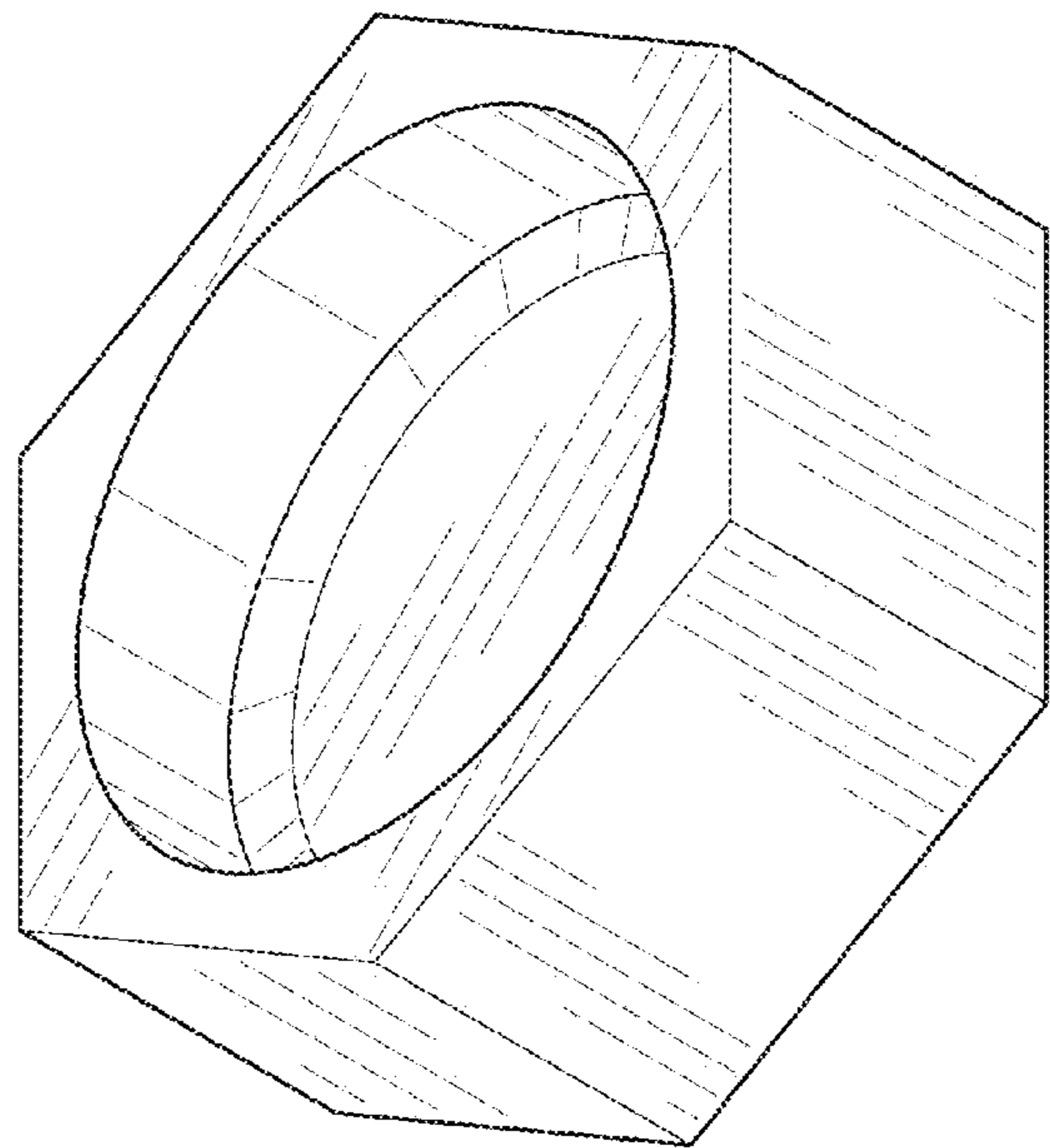


FIG. 3

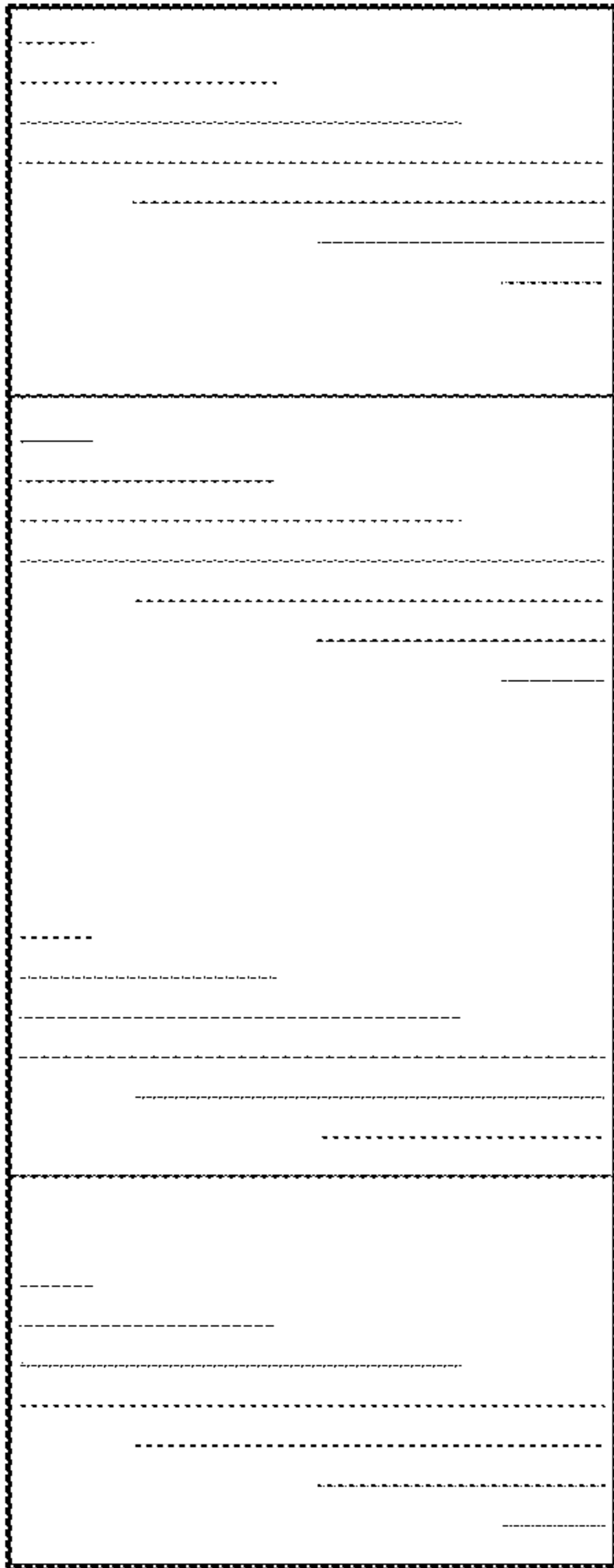


FIG. 4

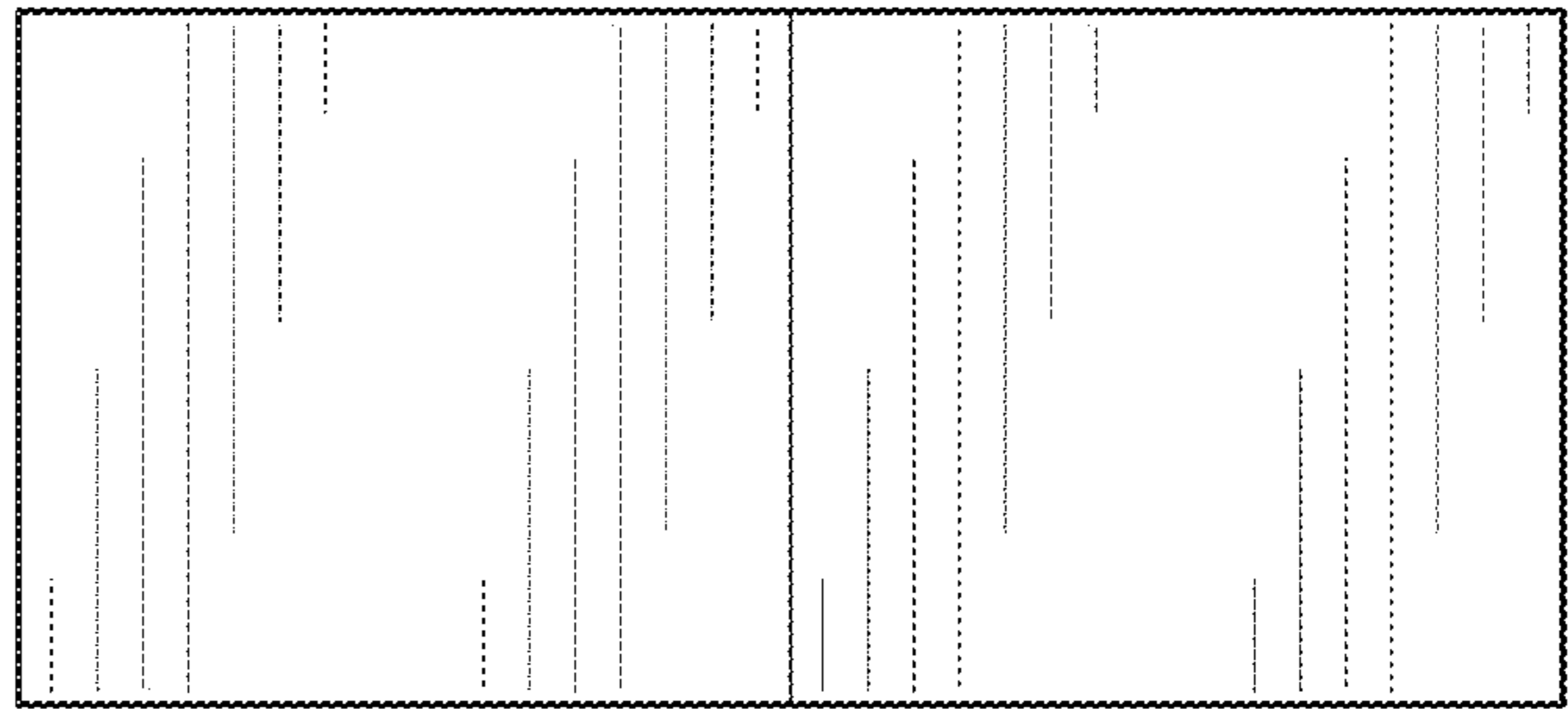


FIG. 5

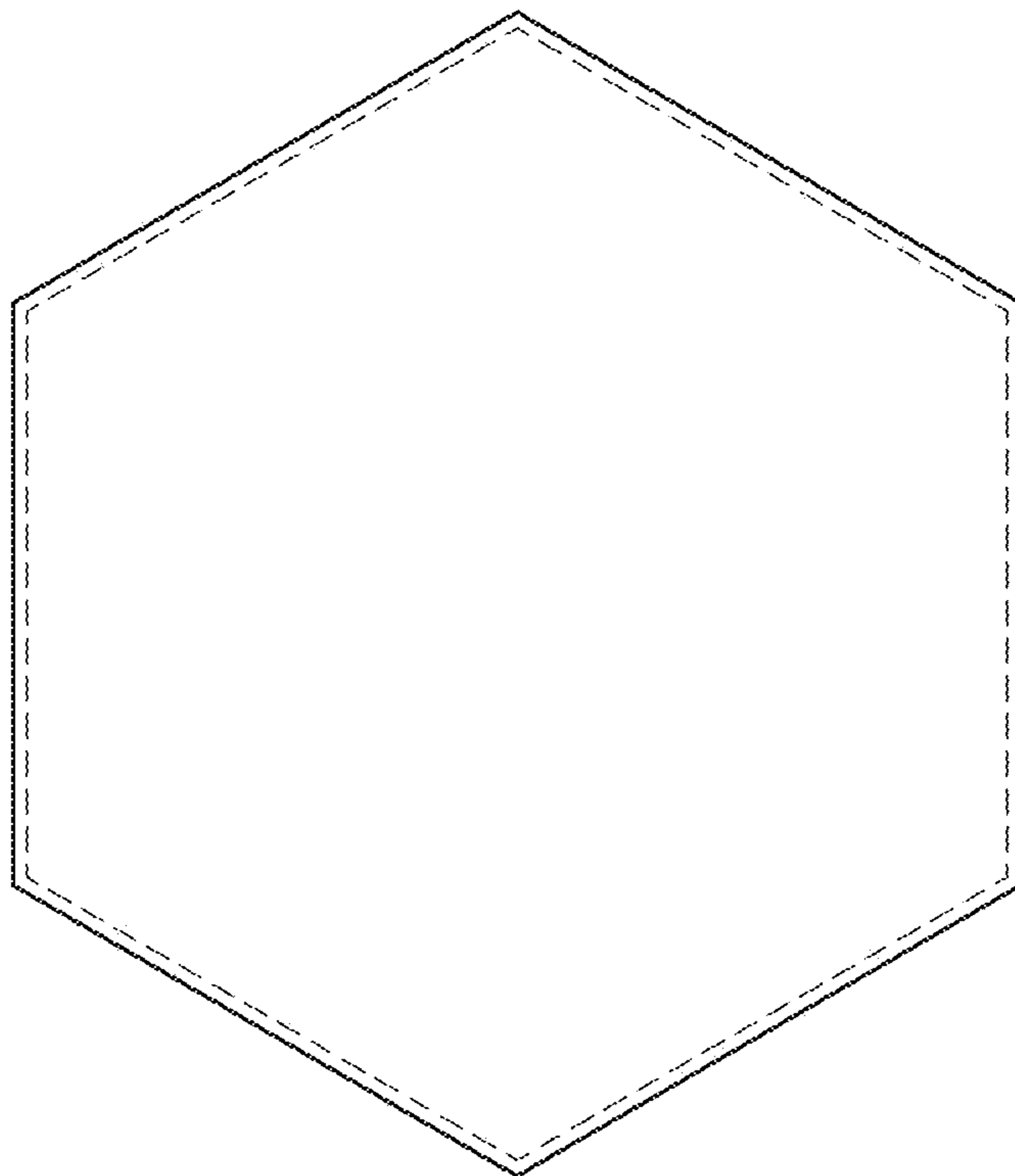


FIG. 6