



US00D929252S

(12) **United States Design Patent**
Tashjian

(10) **Patent No.:** **US D929,252 S**

(45) **Date of Patent:** **** Aug. 31, 2021**

(54) **EARRING**

(71) Applicant: **Venus by Maria Tash, Inc.**, New York, NY (US)

(72) Inventor: **Maria Tashjian**, New York, NY (US)

(73) Assignee: **Venus by Maria Tash, Inc.**, New York, NY (US)

(**) Term: **15 Years**

(21) Appl. No.: **29/758,997**

(22) Filed: **Nov. 19, 2020**

D32,523 S	4/1900	Zell
D136,958 S	10/1943	Rubel
D137,112 S	10/1943	Rubel
D139,254 S	8/1944	Philippe
D150,589 S	9/1947	Katz
D150,612 S	10/1947	Katz
D151,171 S	1/1948	Philippe
D154,608 S	1/1949	Katz
D156,271 S	7/1949	Philippe
D156,312 S	8/1949	Bogoff
D159,118 S	2/1950	Weinberg
2,502,386 A	3/1950	Mailand
D161,286 S	9/1950	Semensohn
D161,289 S	9/1950	Semensohn

(Continued)

Related U.S. Application Data

(63) Continuation of application No. 29/698,112, filed on Jul. 15, 2019, now Pat. No. Des. 902,772.

(51) **LOC (13) Cl.** **11-01**

(52) **U.S. Cl.**

USPC **D11/92**; D11/43

(58) **Field of Classification Search**

USPC D11/40-48, 3, 4, 79, 80, 81, 86, 91, 92

CPC A44C 7/00; A44C 7/002; A44C 7/003;

A44C 7/004; A44C 7/005; A44C 7/006;

A44C 7/007; A44C 7/008; A44C 7/009;

A44C 5/00; A44C 5/0007; A44C 5/0023;

A44C 5/003; A44C 5/0038; A44C

5/0046; A44C 5/0053; A44C 5/0061;

A44C 5/0069; A44C 5/0076; A44C

5/0084; A44C 5/0092; A44C 1/00; A44C

3/00; A44C 3/001

See application file for complete search history.

(56) **References Cited**

U.S. PATENT DOCUMENTS

20,480 A 6/1858 Carpenter

130,771 A 8/1872 Tryner

292,810 A 2/1884 Hartmann

OTHER PUBLICATIONS

10 pairs of tiny stud and hoop earrings that look really expensive, Get the Gloss, <https://www.getthegloss.com/article/the-best-tiny-stud-and-hoop-earrings-to-buy-on-a-budget> downloaded from Internet Nov. 2020 (1 page).

(Continued)

Primary Examiner — Melanie Pellegrini

(74) *Attorney, Agent, or Firm* — Dentons US LLP

(57)

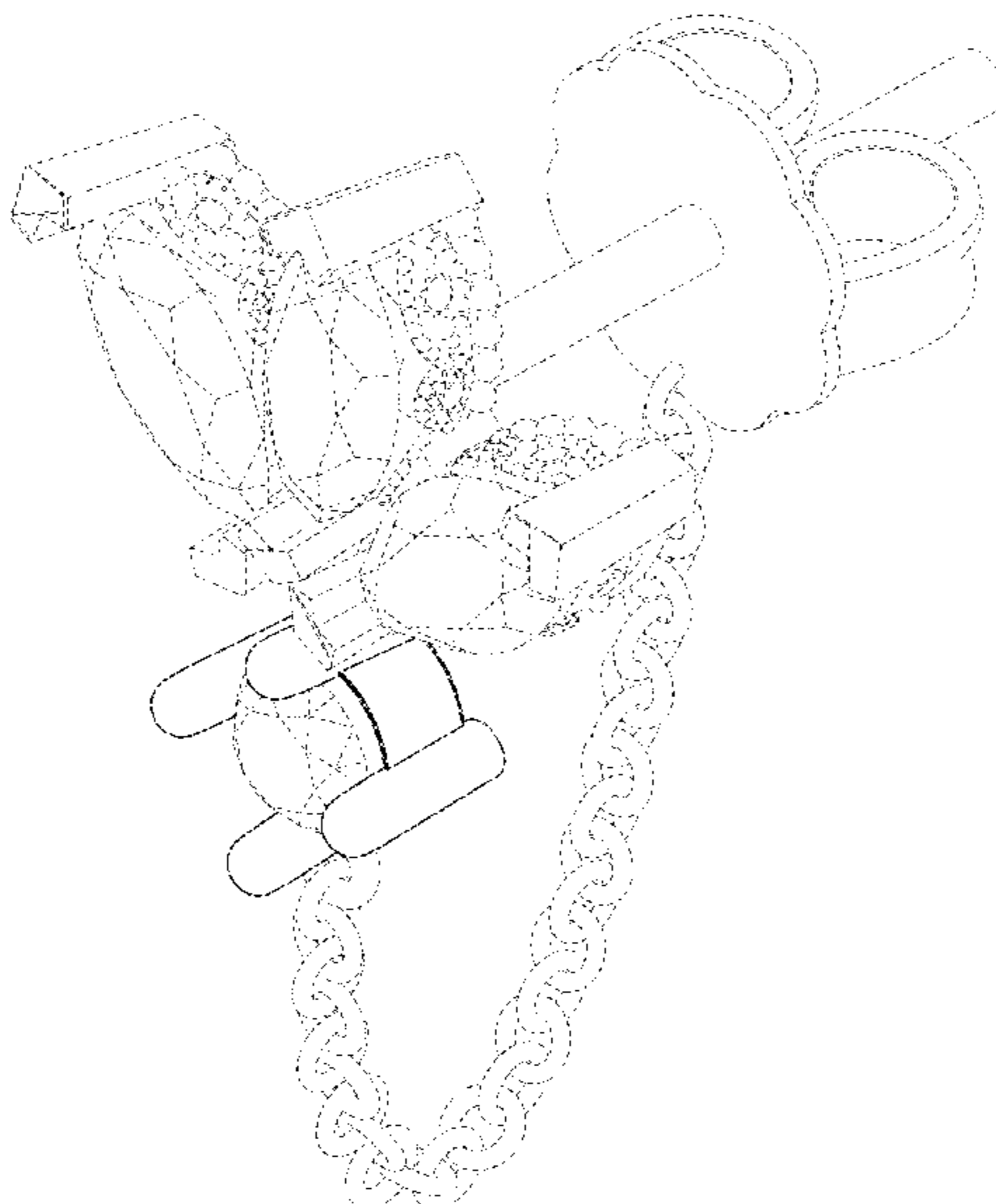
CLAIM

An ornamental design for an earring, as shown and described.

DESCRIPTION

FIG. 1 is a front perspective view of an earring; FIG. 2 is a front side view of the earring; FIG. 3 is a back side view of the earring; FIG. 4 is a right side view of the earring; FIG. 5 is a left side view of the earring; FIG. 6 is a bottom side view of the earring; and, FIG. 7 is a top side view of the earring. Broken lines shown in drawings illustrate portions of the earring that form no part of claimed design.

1 Claim, 7 Drawing Sheets



(56)

References Cited

U.S. PATENT DOCUMENTS

D162,461 S	12/1950	Philippe	D281,149 S	10/1985	Krogh
D164,946 S	7/1951	Philippe	D281,767 S	12/1985	Mason
D169,726 S	1/1953	Bell	D282,647 S	2/1986	Bulgari
D170,349 S	5/1953	Bell	D283,205 S	4/1986	Stephenson
D170,266 S	6/1953	Katz	D284,952 S	8/1986	Ricks
D171,728 S	11/1953	Philippe	D286,758 S	11/1986	Bulgari
D171,708 S	3/1954	Katz	D287,230 S	12/1986	Bulgari
D173,990 S	2/1955	Katz	D287,231 S	12/1986	Copeland
D176,782 S	1/1956	Katz	D287,577 S	1/1987	Lorberfeld
D177,121 S	3/1956	Katz	D290,446 S	6/1987	Bulgari
D187,812 S	5/1960	Randall	4,688,400 A	8/1987	Chioffe
3,261,072 A *	7/1966	Stanley A44C 17/02 29/10	D292,501 S	10/1987	Jones
			D292,560 S	11/1987	Di Maria et al.
			D292,685 S	11/1987	Bulgari
			D292,686 S	11/1987	Bulgari
			D292,687 S	11/1987	Pesonen
			D292,780 S	11/1987	Galask
3,382,589 A	5/1968	Dowling	D293,899 S	1/1988	Bulgari
D242,670 S	12/1976	Northup	D294,473 S	3/1988	Bulgari
D244,126 S	4/1977	Ladjimi	D294,684 S	3/1988	Saraga
D244,920 S	7/1977	Kelman	D295,151 S	4/1988	Saraga
D245,650 S	9/1977	Mueller et al.	D295,267 S	4/1988	Saraga
D246,357 S	11/1977	Durante	D298,611 S	11/1988	Saraga
D247,614 S	3/1978	Kelman	D301,120 S	5/1989	Alviti
D248,380 S	7/1978	Burchett	D301,314 S	5/1989	Shapiro
D248,458 S	7/1978	Gatof et al.	D301,561 S	6/1989	Westmoland
D248,801 S	8/1978	Tafoya	D301,562 S	6/1989	Gaskill
D249,129 S	8/1978	Fishman	D302,252 S	7/1989	Sykes
D249,130 S	8/1978	Fishman	D302,400 S	7/1989	Bulgari
D249,252 S	9/1978	Gatof	D302,401 S	7/1989	Weingast
D249,337 S	9/1978	Diorio	D303,230 S	9/1989	Westmoland
D250,456 S	12/1978	Fishman	D303,999 S	10/1989	Hansson
D250,457 S	12/1978	Fishman	D304,433 S	11/1989	McConnell, Jr.
D250,516 S	12/1978	Fishman	D304,532 S	11/1989	Campbell
D250,517 S	12/1978	Fishman	D304,533 S	11/1989	Campbell
D251,715 S	5/1979	Fishman	D305,311 S	1/1990	Roberts
D255,670 S	7/1980	Ambler	D305,996 S	2/1990	Bulgari
D255,885 S	7/1980	Andrews	D307,989 S	5/1990	Stewart
D256,003 S	7/1980	Barr	D308,027 S	5/1990	Bulgari
D257,023 S	9/1980	Barr	D308,179 S	5/1990	Perlmutter et al.
D257,024 S	9/1980	Barr	D308,180 S	5/1990	Bulgari
D257,026 S	9/1980	Barr	D308,348 S	6/1990	Leopoldi
D259,110 S	5/1981	Russell	D308,349 S	6/1990	Bulgari
D260,622 S	9/1981	Barr	D308,650 S	6/1990	Bulgari
D260,744 S	9/1981	Barr	D308,651 S	6/1990	Bulgari
D261,245 S	10/1981	Epstein	D308,652 S	6/1990	Bulgari
D261,246 S	10/1981	Epstein	D308,838 S	6/1990	Bulgari
D261,247 S	10/1981	Epstein	D308,949 S	7/1990	Bulgari
D261,372 S	10/1981	Fried	D308,950 S	7/1990	Greenhouse
D262,272 S	12/1981	Block	D309,879 S	8/1990	Bulgari
D264,060 S	4/1982	Epstein	D310,926 S	10/1990	Bass et al.
D265,641 S	8/1982	Bongiorno	D310,979 S	10/1990	Perry
D265,811 S	8/1982	Barr	D311,502 S	10/1990	Bulgari
D265,894 S	8/1982	Barr	D313,202 S	12/1990	Bulgari
D265,895 S	8/1982	Barr	D313,370 S	1/1991	Steiner
D267,241 S	12/1982	Bulgari	D315,211 S	3/1991	Reil
D268,016 S	2/1983	Block	D315,248 S	3/1991	Marshall
D271,952 S	12/1983	Altman	D315,654 S	3/1991	Hummel
D272,327 S	1/1984	Bulgari	D317,095 S	5/1991	Albers et al.
D272,994 S	3/1984	Serapiglia	D317,422 S	6/1991	Hardy
D273,371 S	4/1984	Bulgari	D318,197 S	7/1991	Butler
D273,472 S	4/1984	Goldstein	D319,801 S	9/1991	Bulgari
D274,418 S	6/1984	Bruce	D320,573 S	10/1991	Bulgari
D274,709 S	7/1984	Bulgari	D320,798 S	10/1991	Holt
D278,987 S	5/1985	Zauderer	D320,799 S	10/1991	Holt
D279,082 S	6/1985	Bulgari	D320,951 S	10/1991	Bulgari
D279,874 S	7/1985	Moon	D321,149 S	10/1991	Royer
D279,875 S	7/1985	Moon	D321,150 S	10/1991	Bulgari
D279,876 S	7/1985	Moon	D322,890 S	1/1992	Drews
D279,877 S	7/1985	Moon	D324,350 S	3/1992	Owens, Jr.
D279,878 S	7/1985	Moon	D324,871 S	3/1992	Cordet et al.
D279,879 S	7/1985	Moon	D325,542 S	4/1992	Rubin et al.
D279,880 S	7/1985	Moon	D325,543 S	4/1992	Gueit
D279,881 S	7/1985	Moon	D326,066 S	5/1992	Sprague
D279,882 S	7/1985	Moon	D326,429 S	5/1992	Azrielant
D279,883 S	7/1985	Moon	D326,430 S	5/1992	Ortega
D279,884 S	7/1985	Moon	D326,595 S	6/1992	Badgerow et al.
D279,885 S	7/1985	Moon	D326,828 S	6/1992	Bulgari
4,538,429 A	9/1985	Bradford	D327,030 S	6/1992	Young

(56)

References Cited

U.S. PATENT DOCUMENTS

D327,850 S	7/1992	Reil	D379,601 S	6/1997	Itzkowitz
D327,982 S	7/1992	Williams	D380,978 S	7/1997	Matye
D329,341 S	9/1992	Rhodes	D381,925 S	8/1997	Bergannini
D329,565 S	9/1992	Kane et al.	5,660,061 A	8/1997	Magida
D330,872 S	11/1992	Ball	D383,699 S	9/1997	Bulgari
5,161,391 A	11/1992	Lorberfeld	D383,700 S	9/1997	Bulgari
D331,891 S	12/1992	Foley	D383,706 S	9/1997	Archambault
D332,025 S	12/1992	Caldwell et al.	D383,998 S	9/1997	Condron
D333,279 S	2/1993	Fryklund	D385,814 S	11/1997	Kilpatrick
D334,003 S	3/1993	Vogelsang	D386,108 S	11/1997	Montaquila
D334,004 S	3/1993	Mandelbaum	D386,439 S	11/1997	Itzkowitz
D334,010 S	3/1993	Mandelbaum	D386,711 S	11/1997	Matye
D334,153 S	3/1993	Mandelbaum	D388,011 S	12/1997	Leonard
D334,353 S	3/1993	Lorberfeld	D388,012 S	12/1997	Matye
D334,855 S	4/1993	Harrington et al.	D388,013 S	12/1997	Rich
D335,959 S	6/1993	Blake	D388,357 S	12/1997	Montaquila
D335,995 S	6/1993	Soles	D388,734 S	1/1998	Montaquila
D336,574 S	6/1993	Rhodes	D388,735 S	1/1998	Webber
D336,621 S	6/1993	Vogelsang	D389,085 S	1/1998	Montaquila
D337,741 S	7/1993	Garfolo	D389,424 S	1/1998	Montaquila
D337,910 S	8/1993	Paluba	D389,775 S	1/1998	Bulgari
D337,963 S	8/1993	Gladorisi	D389,776 S	1/1998	Montaquila
D338,117 S	8/1993	Caldwell et al.	D390,151 S	2/1998	Blum et al.
D339,310 S	9/1993	Azielant	D390,802 S	2/1998	Bulgari
D342,691 S	12/1993	Milgrom	D391,516 S	3/1998	Kothari
D342,894 S	1/1994	DiDomenico	D391,756 S	3/1998	Home
D343,535 S	1/1994	Scott	D391,887 S	3/1998	Barr
D343,749 S	2/1994	Thompson	D391,888 S	3/1998	Fox
D344,910 S	3/1994	Nelson	D392,041 S	3/1998	Reil
D345,051 S	3/1994	Wills	D392,042 S	3/1998	Reil
D346,343 S	4/1994	Haugh	D392,206 S	3/1998	Kothari
D347,801 S	6/1994	Church	D393,604 S	4/1998	Webber
D348,023 S	6/1994	Horner et al.	D393,812 S	4/1998	Silveri
D348,854 S	7/1994	Salsgiver	D394,021 S	5/1998	Matye
D348,997 S	7/1994	Menner	D394,769 S	6/1998	Flint
D350,027 S	8/1994	Downes et al.	D394,821 S	6/1998	Montaquila
D352,190 S	11/1994	Tucker	D394,823 S	6/1998	Vos
5,363,675 A	11/1994	Carter	D398,875 S	9/1998	Kothari
D353,120 S	12/1994	Pandel	D398,876 S	9/1998	Kothari
D353,501 S	12/1994	Kral	D401,182 S	11/1998	Bulgari
D354,016 S	1/1995	Schubert	D401,486 S	11/1998	Becker
D354,927 S	1/1995	Andrau	D401,884 S	12/1998	Gruosi
D356,751 S	3/1995	Gross et al.	D406,544 S	3/1999	Leonard
D358,067 S	5/1995	Graves	D407,344 S	3/1999	Dubnicka
D358,210 S	5/1995	Reil	D408,315 S	4/1999	Lavalais
D359,254 S	6/1995	Gross et al.	D408,317 S	4/1999	Karmeli
D359,705 S	6/1995	Ball	D410,589 S	6/1999	Lagergren
D359,706 S	6/1995	DeAngelis	D413,830 S	9/1999	Moten
D361,451 S	8/1995	Reiland	D415,446 S	10/1999	Kattan
D362,821 S	10/1995	Marchessault	D417,636 S	12/1999	Ambar
D363,218 S	10/1995	Mann	D418,079 S	12/1999	Porcell
D363,602 S	10/1995	Asher	D419,908 S	2/2000	Leonard
D363,683 S	10/1995	Spurgeon et al.	D420,304 S	2/2000	Porcell
D365,779 S	1/1996	Archambeault	D420,934 S	2/2000	Montaquila
D366,729 S	1/1996	Reil	D423,979 S	5/2000	Montaquila
D367,384 S	2/1996	DiFranco et al.	D424,468 S	5/2000	Bergagnini
D368,671 S	4/1996	Ross	D424,695 S	5/2000	Reil
D370,372 S	6/1996	Kraft	D427,540 S	7/2000	Calvani
D370,866 S	6/1996	Lange	D429,658 S	8/2000	Biagi
D371,754 S	7/1996	Dunham	D430,815 S	9/2000	Montaquila
D371,982 S	7/1996	Price	D434,877 S	12/2000	Harral
D372,312 S	7/1996	Lange	D435,476 S	12/2000	Gruosi
D372,380 S	8/1996	Montalbo et al.	D436,727 S	1/2001	Hsu
D373,742 S	9/1996	Janice	D439,190 S	3/2001	Itzkowitz
D374,637 S	10/1996	Esser	D439,193 S	3/2001	Gruosi
D374,837 S	10/1996	Austin	D441,313 S	5/2001	Turner
D375,703 S	11/1996	Lowe et al.	D450,615 S	11/2001	Ambar
D376,335 S	12/1996	Shechter	D454,810 S	3/2002	Knee
D376,476 S	12/1996	Tepen et al.	D455,974 S	4/2002	Torres
D376,768 S	12/1996	Ross	D458,182 S	6/2002	Gruosi
5,588,309 A	12/1996	Chioffe	D461,409 S	8/2002	Kardush
D377,461 S	1/1997	Kloppenborg, Jr. et al.	D468,494 S	1/2003	Holloway
D378,360 S	3/1997	Montaquila	D472,497 S	4/2003	Bonnet
D378,808 S	4/1997	Shechter	D474,353 S	5/2003	Gist Skinner
D379,305 S	5/1997	VanFleet	D479,145 S	9/2003	Newman
			D481,326 S	10/2003	Bonifacio
			D481,646 S	11/2003	Bonifacio
			D484,822 S	1/2004	Crova
			D485,203 S	1/2004	Pachachi

(56)

References Cited

U.S. PATENT DOCUMENTS

D485,204 S	1/2004	Sandberg		D626,881 S	11/2010	Meneau
D486,091 S	2/2004	Pachachi		D627,252 S	11/2010	Warren
D486,416 S	2/2004	Pachachi		D627,253 S	11/2010	Meneau
D487,408 S	3/2004	Coin		D628,113 S	11/2010	Papadimitriou
D489,639 S	5/2004	Castle		D628,114 S	11/2010	Papadimitriou
D506,158 S *	6/2005	McMullan D11/91	D629,325 S	12/2010	Papadimitriou
D506,406 S	6/2005	Sandberg		D630,965 S	1/2011	Papadimitriou
D507,985 S	8/2005	Sandberg		D630,967 S	1/2011	Lebail
D511,310 S	11/2005	Gruosi		D631,383 S	1/2011	Papadimitriou
D513,392 S	1/2006	Arbore		D631,384 S	1/2011	Papadimitriou
D515,452 S	2/2006	Arbore		D631,385 S	1/2011	Lebail
D516,453 S *	3/2006	Kayamori D11/40	D632,605 S	2/2011	Marchand
D520,897 S	5/2006	Sandberg		D634,214 S	3/2011	Janssen
D531,078 S	10/2006	Chan		D635,608 S	4/2011	Gray
D533,803 S	12/2006	Corso		D636,696 S	4/2011	Lebail
D535,580 S	1/2007	Arbore		D637,103 S	5/2011	Lebail
D537,377 S	2/2007	Becker		D637,104 S	5/2011	Papadimitriou
D537,750 S	3/2007	Allin		D639,692 S	6/2011	Papadimitriou
D537,751 S	3/2007	Becker		D639,694 S	6/2011	Papadimitriou
D538,195 S	3/2007	Williams		D640,585 S	6/2011	Nolan
D538,701 S	3/2007	Williams		D642,086 S	7/2011	Modi
D539,690 S	4/2007	Allin		7,980,095 B1	7/2011	Masterson
D540,212 S	4/2007	Becker		D647,421 S	10/2011	Nolan
D541,694 S	5/2007	Ping		D648,242 S	11/2011	Hara
D542,170 S	5/2007	Bruno et al.		D653,151 S	1/2012	Bennett
D542,696 S	5/2007	Cilluffo		D655,193 S	3/2012	Janssen
D542,697 S *	5/2007	Schumacher D11/91	D658,090 S	4/2012	Papadimitriou
D542,698 S *	5/2007	Schumacher D11/92	D658,529 S	5/2012	Papadimitriou
D543,480 S *	5/2007	Schumacher D11/91	D658,530 S	5/2012	Papadimitriou
7,217,014 B2	5/2007	Nielson		D659,583 S	5/2012	Papadimitriou
D544,389 S	6/2007	Ooten		D660,743 S	5/2012	Crafton
D545,716 S	7/2007	Bulgari		D660,744 S	5/2012	Papadimitriou
D546,235 S *	7/2007	Sabet D11/91	D660,745 S	5/2012	Papadimitriou
D549,125 S	8/2007	Malone		D661,219 S	6/2012	Papadimitriou
D549,607 S	8/2007	Mouclier		D662,005 S	6/2012	Bennett
D550,583 S	9/2007	Karachi-Langane		D664,061 S	7/2012	Papadimitriou
D554,020 S	10/2007	Bruno et al.		D664,062 S	7/2012	Papadimitriou
D555,030 S	11/2007	Hardy		D665,297 S	8/2012	Parris
D556,620 S	12/2007	Chan		D665,298 S	8/2012	Papadimitriou
D562,718 S	2/2008	Wong		D665,693 S	8/2012	Bennett
D567,132 S	4/2008	Bulgari		D668,986 S	10/2012	Friedman
D567,133 S	4/2008	Crawford		D669,386 S	10/2012	Papadimitriou
D567,134 S	4/2008	Bulgari		D669,387 S	10/2012	Kwon
D567,702 S	4/2008	Walters		D670,191 S	11/2012	Bennett
D568,201 S *	5/2008	Lai D11/92	D671,439 S	11/2012	Bennett
D574,745 S	8/2008	Nolan		D672,681 S	12/2012	Bennett
D574,746 S	8/2008	Nolan		D673,070 S	12/2012	Papadimitriou
D588,490 S	3/2009	Momjian		D674,719 S	1/2013	Bennett
D591,192 S	4/2009	Nolan		D674,720 S	1/2013	Bennett
D592,538 S	5/2009	Momjian		D676,349 S	2/2013	Papadimitriou
D599,694 S	9/2009	Nolan		D678,101 S	3/2013	Parvex
D599,695 S	9/2009	Nolan		D680,024 S	4/2013	Le Bail
D600,586 S	9/2009	Nolan		D684,085 S	6/2013	Papadimitriou
D601,056 S	9/2009	Atallah		D689,392 S	9/2013	Parvex
D601,917 S	10/2009	Nolan et al.		D692,261 S	10/2013	Sharp
D603,289 S	11/2009	Lebail		D692,342 S	10/2013	Bennett
D605,968 S	12/2009	Colombani		D693,260 S	11/2013	Papadimitriou
D605,970 S	12/2009	Colombani		D693,721 S	11/2013	Papadimitriou
D606,443 S	12/2009	Traglio		D694,146 S	11/2013	Beeson
D606,896 S	12/2009	Traglio		D703,084 S	4/2014	Parvex
D607,363 S	1/2010	Traglio		D707,151 S	6/2014	Kimbrough et al.
D607,364 S	1/2010	Marks		D707,152 S	6/2014	Shields
D608,239 S	1/2010	McCarty-O'Brien		D708,540 S	7/2014	Norendzayan
D610,033 S	2/2010	Colombani		D708,541 S	7/2014	Norendzayan
D610,934 S	3/2010	Papadimitriou		D709,792 S	7/2014	Singer et al.
D610,935 S	3/2010	Papadimitriou		8,763,357 B1	7/2014	Arnone
D614,073 S	4/2010	Cabarbaye		D714,673 S	10/2014	Bradley
D619,030 S	7/2010	Papadimitriou		D716,685 S	11/2014	Oh
D619,488 S	7/2010	Gruosi		D718,649 S	12/2014	Harel-Klein et al.
D620,833 S	8/2010	Papadimitriou		D718,650 S	12/2014	Weems
D621,279 S	8/2010	Janssen		D720,647 S	1/2015	Kwon
D621,281 S	8/2010	Janssen		D722,907 S	2/2015	Miceli
D621,721 S	8/2010	Walker-Spry		D726,577 S	4/2015	Weems
D623,081 S	9/2010	Papadimitriou		D727,773 S	4/2015	Kwon
D624,843 S	10/2010	Colombani		D727,774 S	4/2015	Kwon
				D727,775 S	4/2015	Yatsugi-Kang
				D727,776 S	4/2015	Weems
				D727,778 S	4/2015	Levinson et al.
				D728,410 S	5/2015	Yatsugi-Kang

(56)

References Cited

U.S. PATENT DOCUMENTS

D729,107 S 5/2015 Riviere
 D729,108 S 5/2015 Kwon
 D731,347 S 6/2015 Zeuner
 D733,574 S 7/2015 Walker-Spry
 D737,717 S 9/2015 Weems
 D738,774 S 9/2015 Vartanian
 D738,775 S * 9/2015 Vartanian D11/40
 D740,153 S * 10/2015 Vartanian D11/40
 D740,154 S 10/2015 Vartanian
 D742,779 S 11/2015 Traglio
 D743,293 S 11/2015 Weems
 D746,719 S 1/2016 Weems
 D747,665 S 1/2016 Hooper
 D747,666 S 1/2016 Yatsugi-Kang
 D748,003 S 1/2016 Vartanian
 D748,004 S 1/2016 Vartanian
 D748,005 S 1/2016 Vartanian
 D748,006 S 1/2016 Vartanian
 D748,522 S 2/2016 Vartanian
 D748,524 S 2/2016 Vartanian
 D748,525 S 2/2016 Tatsugi-Kang
 D749,456 S 2/2016 Gruosi
 D749,978 S 2/2016 Holubar
 D749,981 S * 2/2016 Vartanian D11/42
 D751,451 S 3/2016 Kwon
 D752,472 S 3/2016 Riviere
 D753,012 S 4/2016 Yatsugi-Kang
 D753,015 S 4/2016 Crafton et al.
 D753,533 S 4/2016 Roth
 D758,911 S 6/2016 Kwon
 D760,110 S 6/2016 Miller
 D760,618 S 7/2016 Yatsugi-Kang
 D761,658 S 7/2016 Walker-Spry
 D763,720 S 8/2016 Yatsugi-Kang
 D764,342 S 8/2016 Bulgari
 D764,343 S 8/2016 Bulgari
 D772,099 S 11/2016 Roth
 D778,200 S 2/2017 Iacomucci
 D780,034 S 2/2017 Kwon
 D780,036 S 2/2017 Silvestri
 D780,037 S 2/2017 Magallanes-Leal
 D780,038 S 2/2017 Riviere
 D780,039 S 2/2017 Abdourahim
 D780,040 S 2/2017 Galli
 D781,739 S 3/2017 Nickels
 D782,934 S 4/2017 Riviere
 D783,442 S 4/2017 Yatsugi-Kang
 D784,846 S 4/2017 Abdourahim
 D785,491 S 5/2017 Yatsugi-Kang
 D789,826 S 6/2017 Riviere
 D792,266 S 7/2017 Hardy
 D792,803 S 7/2017 Abdourahim
 D796,372 S 9/2017 Gruosi
 D797,599 S 9/2017 Yatsugi-Kang
 D800,012 S 10/2017 Oliner-Katz
 D807,774 S 1/2018 Hardy
 D808,851 S 1/2018 Kwon
 D809,419 S 2/2018 Hardy
 D809,960 S 2/2018 Marchand
 D809,961 S 2/2018 Magallanes-Leal
 D809,962 S 2/2018 Le Bail
 D810,612 S 2/2018 Corey et al.
 D811,928 S 3/2018 Stern
 D812,510 S 3/2018 Levy
 D813,080 S 3/2018 Sallard
 D813,708 S 3/2018 Lane
 D813,709 S 3/2018 Dholakiya
 D814,291 S 4/2018 Taylor
 D815,556 S 4/2018 Stern
 D816,538 S 5/2018 Nickels
 D818,867 S 5/2018 Heller
 D820,145 S 6/2018 Galli
 D822,531 S 7/2018 Stern
 D822,532 S 7/2018 Stern
 D824,276 S 7/2018 Blootacker

D824,277 S 7/2018 Sallard
 D826,080 S 8/2018 Gentile et al.
 D834,988 S 12/2018 Silvestri
 D836,018 S 12/2018 An
 D842,753 S 3/2019 Morin
 D846,423 S 4/2019 Buccellati
 D847,683 S 5/2019 Buccellati
 D851,532 S 6/2019 Yamada
 D851,537 S * 6/2019 Shah D11/92
 D852,079 S 6/2019 Sivriere
 D878,958 S 3/2020 Tashjian
 D891,973 S * 8/2020 Tashjian D11/45
 D902,772 S * 11/2020 Tashjian D11/45
 10,905,206 B1 * 2/2021 Tashjian A44C 7/003
 2008/0022720 A1 1/2008 Ciccone
 2010/0212356 A1 8/2010 Namiki
 2011/0083471 A1 4/2011 Chough
 2013/0186134 A1 7/2013 Goldstein
 2014/0150496 A1 6/2014 Briggs-Jenkins
 2017/0079388 A1 3/2017 Kita
 2018/0343990 A1 12/2018 Repossi

OTHER PUBLICATIONS

18k Gold Plated Sterling Silver Cz Marquise Chain Stud Earrings Retro—Alibaba.com, https://www.alibaba.com/product-detail/18K-gold-plated-sterling-silver-CZ_1600101995122.html?spm=a_2700_galleryofferlist.normal_offer.d_image.798a14a2tpXmMR downloaded from Internet Nov. 2020 (1 page).
 Amethyst Triple Marquise Stud Earrings, Curated Los Angeles, <https://www.curated-losangeles.com/products/amethyst-triple-marquise-stud-earrings> downloaded from Internet Nov. 2020 (1 page).
 Blue Buddha Boutique, Cre8time Movement: Jewelry Project in 8 steps of Less—Coiled Earrings, <http://www.bluebuddhaboutique.com/blog/2013/04/cre8time-movement-jewelry-project-in-8-steps-or-less-coiled-earrings/>, Apr. 6, 2013 (6 pages).
 BVLA Rose Gold Mini Kandy, Mercari, https://www.mercari.com/us/item/m42882037488/?ref=brand_detail downloaded from Internet Nov. 2020 (1 page).
 Casasconil.info Chandelier, Glass Crystal Chandelier Drops, Jul. 28, 2018 (54 pages).
 Crafty Blog Stalker, How to Make Crystal Drop Earrings, <https://thecraftyblogstalker.com/diy-rhinestone-drop-earrings/>, last updated Jun. 17, 2019 (12 pages).
 Crystal Dangle Hoop Earrings 925 Sterling Silver Dianty Dangling Charms Cubic Zirconia Small Huggie Round Hoops 10mm Delicate Jewelry for Women Girls Birthday Gifts: Clothing, Amazon.com, <https://www.amazon.com/Earrings-Sterling-Dangling-Zirconia-Delicate/dp/B0895FQB6X> downloaded from Internet Nov. 2020 (1 page).
 CZ Marquise Dangle screw flat back cartilage stud, helix earring | Etsy, https://www.etsy.com/listing/777314953/cz-marquise-s-dangle-screw-flat-back?ga_order=most_relevant&ga_search_type=all&ga_view_type=gallery&ga_search_query=triple+marquise+stud&ref=sr_gallery-1-8&pr_o=1 downloaded from Internet November 2020 (1 page).
 Dangling Gemstone Earring 925 Solid Sterling Silver Rose Gold | Etsy, https://www.etsy.com/listing/851972585/dangling-gemstone-earring-925-solid?ga_order=most_relevant&ga_search_type=all&ga_view_type=gallery&ga_search_query=MARIA+TASH&ref=sr_gallery-1-1&organic_search_click=1&frs=1&col=1 downloaded from Internet Nov. 2020 (1 page).
 Djula, Gold and Diamond Multi tassel hoop piercing, <https://www.djula.fr/en/piercings/567-multi-tassel-hoop-piercing.html> downloaded from Internet Nov. 2020 (1 page).
 Free People, 6.5mm Gold Tassel Eternity Single Earring <https://www.freepeople.com/shop/65mm-gold-tassel-eternityingle-earring/>. Retrieved by USPTO Examiner Aug. 31, 2019.
 Gold Marquise Dangle Stud Earring | Adina's Jewels <https://adinasjewels.com/products/marquise-dangle-stud-earring> downloaded from Internet. Nov. 2020 (1 page).
 Gold Plated Earrings Jewelry 925 Sterling Silver Sparkly Marquise Dangle Cubic Zircon Chain Stud Earrings—Alibaba.com, https://www.alibaba.com/product-detail/18K-gold-plated-sterling-silver-CZ_1600101995122.html?spm=a_2700_galleryofferlist.normal_offer.d_image.798a14a2tpXmMR downloaded from Internet Nov. 2020 (1 page).

(56)

References Cited

OTHER PUBLICATIONS

www.alibaba.com/product-detail/Gold-Plated-Earrings-Jewelry-925-Sterling_62451516048.html?s_pma=a2700.galleryofferlist.normal_offer.d_title.798a14a2tpXmMR downloaded from Internet Nov. 2020 (1 page).

Luxury Exaggeration Big Round Pearl Hoop Earrings for Women Boho Geometric Large Statement Hanging Earrings 2019 Fashion Jewelry Hoop Earrings—AliExpress, https://www.aliexpress.com/item/33011429560.html?spm=a2g0o.productlist.0.0.8bf2647ds4vMa6&algo_pvid=9ea83007-0e57-451b-9bca-bcdedcd698d7&algo_expid=9ea83007-0e57-451b-9bca-bcdedcd698d7-30&btsid=0bb0622f16033748731547472ee84d&ws_ab_test=searchweb0_0.searchweb201602_.searchweb201603 downloaded from Internet Nov. 2020 (1 page).

Maria Tash Black Rainbow Sapphire 14k Yellow Gold, eBay, <https://www.ebay.com/itm/14k-Yellow-Gold-Maria-Black-Rainbow-Sapphire-Nwt-358-Vry-Maria-Tash-TLL/293780593993?hash=item4466b01d49:g:JP4AAOSwZRNfLe~Z> downloaded from Internet Nov. 2020 (1 page).

Maria Tash Brand, Shopo Tam, Ebay, <http://shopotam.ru/brand/manatash/> downloaded from Internet Nov. 2020 (1 page).

Maria Tash Brands, Amato Fine Jewelry, <https://www.amatopiercing.com/brand/maria-tash/> downloaded from Internet Nov. 2020 (1 page).

Maria Tash Coronet Earrings, Cheaponline, <https://ar.cheaponline2020.net/category?name=coronet%20earrings> downloaded from Internet Nov. 2020 (1 page).

Maria Tash Diamond and Chain Orbit Joining Earring White Gold 2mm, PicClick UK, <https://picclick.co.uk/Maria-Tash-White-Gold-2mm-Diamond-and-Chain-174458974872.html> downloaded from Internet Nov. 2020 (1 page).

Maria Tash Diamond Butterfly, RisingBastards, <https://risingbastards.com/2020/10/20/diamond-butterfly-maria-tash/> downloaded from Internet Nov. 2020 (1 page).

Maria Tash Diamond Princess Ring 2mm White Gold, https://rootip.rosendalehistorical.org/index.php?main_page=product_info&products_id=11835 downloaded from Internet Nov. 2020 (1 page).

Maria Tash Diamond Spike Eternity Earring 18K Yellow Gold 8mm Diameter, PicClick, <https://picclick.com/Maria-Tash-Diamond-Spike-Eternity-Earring-18K-Yellow-333743759231.html> downloaded from Internet Nov. 2020 (1 page).

Maria Tash Double Row Gem Clicker Ring 14ct White Gold, Isha Body, <https://ishabodyjewellery.co.uk/products/14ct-white-gold-elegant-clicker-ring?variant=29157947572317> downloaded from Internet Nov. 2020 (1 page).

Maria Tash EUC Silver Tone Mirrored Compact, Poshmark, <https://poshmark.com/listing/EUC-Maria-Tash-Silver-Tone-Mirrored-Compact-5f4fef19e1316439c30fdd81> downloaded from Internet Nov. 2020 (1 page).

Maria Tash Gold Clicker Eternity Earring Yellow Gold and Pearl Hoop, The Luxury Closet, <https://theluxurycloset.com/us-en/women/maria-tash-gold-clicker-eternity-yellow-gold-and-pearl-single-hoop-earring-p288862> downloaded from Internet Nov. 2020 (1 page).

Maria Tash Gold Jewelry, Bodyartforms, <https://bodyartforms.com/products.asp?brand=venus+by+maria+tash> downloaded from Internet Nov. 2020 (1 page).

Maria Tash Inspired Gold Earring With Chain Ring, <https://www.sekaimon.com/s/maria%20tash/-/all> downloaded from Internet Nov. 2020.

Maria Tash Jewelry, Stylight, <https://www.stylight.com/Maria-Tash/Jewelry/> downloaded from Internet Nov. 2020 (1 page).

Maria Tash Navel Ring Belly Button Ring, Poshmark, <https://poshmark.com/listing/Maria-Tash-navel-ring-belly-button-ring-5c7ac13c8ad2f9c803c2d159> downloaded from Internet Nov. 2020 (1 page).

Maria Tash Products, Pirate Piercing, <https://shop.piratepiercing.be/> downloaded from Internet Nov. 2020 (1 page).

Maria Tash Septum Chains, Poshmark, <https://poshmark.com/listing/Maria-Tash-Septum-Chains-599706fef739bc9b4401c73c> downloaded from Internet Nov. 2020 (1 page).

Maria Tash Verkooppunt Vederland, <https://www.piercingboutique.nl/pages/maria-tash-verkooppunt> downloaded from Internet Nov. 2020 (1 page).

Maria Tash, 14g 8mm Single Chain Septum Spinner, <https://www.mariatash.com/14g-8mm-single-chain-septum-spinner.html#>; downloaded from Internet Aug. 31, 2020 (1 page).

Maria Tash, 16mm Diamond In-Set Lotus Coronet Hoops Pair, <https://www.mariatash.com/16mm-diamond-inet-lotcoronet-hoops-pair.html?metal=White%20Gold>. Retrieved by USPTO Examiner Sep. 9, 2019.

Maria Tash, 3mm Diamond Engraved Lotus Threaded Stud, <https://www.mariatash.com/jewelry/helix-jewelry/3mm-diamond-engraved-lotus-threaded-stud.html#> downloaded from Internet Nov. 2020 (1 page).

Maria Tash, 6.5mm Diamond Eternity Ring and Two Cuffs, <https://www.mariatash.com/jewelry/earlobe/diamond-1-4-tripie-eternity-ringnd-two-cuffs-earlobe.html?metal=White%20Gold>. Retrieved by USPTO Examiner Sep. 9, 2019.

Maria Tash, 6.5mm Diamond Tassel Eternity Ring, <https://www.mariatash.com/jewelry/earlobe/1-4-diamond-tassel-eternity-ring.html?metal=White%20Gold>. Retrieved by USPTO Examiner Aug. 31, 2019.

Maria Tash, Diamond Delia and Marquise Dangle Chain Orbital, <https://www.mariatash.com/jewelry/earlobe/diamond-delia-marquisend-rounds-chainnd-dangles-orbital.html?metal=Rose%20Gold>. Retrieved by USPTO Examiner Aug. 17, 2019.

Maria Tash, Diamond Eternity Ring and Cuff, <https://modesens.com/product/maria-tash-diamond-eternity-ringnd-cuff-18kt-rose-goldingle-earring-pink-5724852/> Retrieved by USPTO Examiner Sep. 9, 2019.

Maria Tash, Earrings, <https://mariatash.com/jewelry/earlobe.html>; downloaded from Internet Jun. 30, 2019 (35 pages).

Maria Tash, Invisible Diamond Lotus Close Garland Ear Climber, <https://www.mariatash.com/jewelry/invisible-diamond-lotus-garland-ear-climber.html>, Retrieved by Examiner Jul. 5, 2020 (2 pages).

Marquise Baguette Dangling Chains Wrap Stud Earrings | Etsy, https://www.etsy.com/listing/853121609/cartilage-stud-earrings-cartilage-chain?ga_order=most_relevant&ga_search_type=all&ga_view_type=gallery&ga_search_query=marquise%20bearings&ga_bref=sc_gallery-2-19&ga_bplkey=76c432b01b045f75add569a8af782f33fe250c00%3A853121609&ga_bpro=1&ga_bcol=1 downloaded from Internet Nov. 2020 (1 page).

Marquise Cz Flower Shaped Stud Earrings With Dangling Charm—Alibaba.com, https://www.alibaba.com/product-detail/Marquise-CZ-Flower-Shaped-Stud-Earrings_1700001431499.html?spm=a2700.galleryofferlist.normal_offer.d_image.798a14a2tpXmMR downloaded from Internet Nov. 2020 (1 page).

Marquise CZ Flower Stud Earrings, S925 Sterling Silver Post 14K Gold Plated Minimalist Dainty Flower Shaped Stud Earrings With Dangling Charm Marquise Studs Earrings Cartilage Earring: Jewelry, Amazon.com, https://www.amazon.com/Marquise-Earrings-Sterling-Minimalist-Cartilage/dp/B08BCQ8PMG/ref=sr_1_18?dchild=1&keywords=marquise%20stud%20bearings&qid=1603376238&sr=8-18&th=1 downloaded from Internet Nov. 2020 (1 page).

Marquise Diamond Simple in Style Earrings Jewelry S925 Sterling Silver—Alibaba.com, https://www.alibaba.com/product-detail/S925-sterling-silver-marquise-diamond-simple_1600118221984.html?spm=a2700.galleryofferlist.normal_offer.d_title.798a14a2tpXmMR downloaded from Internet Nov. 2020 (1 page).

Marquise Shape Diamond Stud Earring, SGL Certified 0.64 Ct Diamond Flower Earring, Body Jewellery, Petal Cartilage Earring, Helix Piercing, 18K Yellow Gold Flat Screw on Back 7mm: Jewelry, Amazon.com, https://www.amazon.com/Marquise-Certified-Jewellery-Cartilage-Piercing/dp/B08JX7S7V2/ref=sr_1_96?dchild=1&keywords=marquise+stud+earrings&qid=1603376238&sr=8-96 downloaded from Internet Nov. 2020 (1 page).

Marquise turquoise studs, 925 earrings, gold stud earrings | Etsy, https://www.etsy.com/listing/832205081/925-earrings-marquise-turquoise-studs?ga_order=most_relevant&ga_search_type=all&ga_view_type=gallery&ga_search_query=marquise+studs&ref=sr_gallery-2-3&pro=1 downloaded from Internet Nov. 2020 (1 page).

(56)

References Cited

OTHER PUBLICATIONS

Minimalist Marquise CZ Flower Shaped Stud Earrings With Dangling Charm | Etsy, https://www.etsy.com/listing/740432826/minimalist-marquise-cz-flower-studs?ga_order=most_relevant&ga_search_type=all&ga_view_type=gallery&ga_search_query=marquise+studs&ref=sc_gallery-2-20&plkey=5824c downloaded from Internet Nov. 2020 (1 page).

Minimalist Marquise CZ Flower studs Dainty earrings Cz gold | Etsy, https://www.etsy.com/listing/740432826/minimalist-marquise-cz-flower-studs?ga_order=most_relevant&ga_search_type=all&ga_view_type=gallery&ga_search_query=marquise+studs&ref=sc_gallery-2-20&plkey=5824c downloaded from Internet Nov. 2020 (1 page).

Minimalist Marquise Tiny Cz Cubic Zirconia Stud Earrings Jewelry—Alibaba.com, https://www.alibaba.com/product-detail/2020-New-925-Sterling-Silver-minimalist_1600125651312.html?spm=a2700.galleryofferlist.normal_offer.d_image.798a14a2tpXmMR downloaded from Internet Nov. 2020 (1 page).

Moet, Mercury Mist Threadless End, Buddha Jewelry Organics, <https://www.buddhajewelryorganics.com> downloaded from Internet Nov. 2020 (1 page).

Pair of White Gold, Blue Topaz, Pink Tourmaline and Diamond Fringe Hoop Earrings for Sale at Auction on Tue, Feb. 22, 2011—07:00—Fine Jewelry and Contents of Abandoned Safe Deposit Boxes from Bank of America | Doyle Auction House, <https://doyle.com/auctions/11jl01-fine-jewelry-and-contents-of-abandoned-safe-deposit-boxes-from-bank-of-america-148> downloaded from Internet Nov. 2020 (1 page).

Rhinestone Fringe Hoop Earrings 1 pair | Shein USA, <https://us.shein.com/Rhinestone-Fringe-Hoop-Earrings-1pair-p-621973-cat-1757.html> downloaded from Internet Nov. 2020 (1 page).

Rustic Diamond Marquise Three Leaf Earrings | TWISTonline, <https://www.twistonline.com/collections/dangles/products/rustic-diamond-marquise-three-leaf-earrings> downloaded from Internet Nov. 2020 (1 page).

Sequito Elegant Costume Jewelry Pave Purple CZ with Light Green Water Drop Tassel Drop Hoop Earrings for Women Boho Round Earing SE-190 | Lazada PH, <https://www.lazada.com.ph/products/sequito-elegant-costume-jewelry-pave-purple-cz-diamond-with-light-green-water-drop-tassel-drop-hoop-earrings-for-women-boho-round-earring-se-190-i925580578.html> downloaded from Internet Nov. 2020 (1 page).

Single Half Pair 18k Gold Genuine Diamond Lotus Flower | Etsy, https://www.etsy.com/listing/836784442/new-single-half-pair-18k-gold-genuine?ga_order=most_relevant&ga_search_type=all&ga_view_type=gallery&ga_search_query=MARIA+TASH&ref=sr_gallery-2-14&organic_search_click=1&pro=1&frs=1 downloaded from Internet Nov. 2020 (1 page).

Sparkly Marquise Dangle Stud Earrings, J&CO Jewellery, <https://www.jcojewellery.com/collections/nature/products/sparkly-marquise-dangle-stud-earrings> downloaded from Internet Nov. 2020 (1 page).

Triple Marquise CZ Leaf Helix earring Conch Earring | Etsy, https://www.etsy.com/listing/750423781/triple-marquise-cz-leaf-helix-earring?ga_order=most_relevant&ga_search_type=all&ga_view_type=gallery&ga_search_query=triple+marquise+stud&ref=sr_gallery-1-5&col= downloaded from Internet Nov. 2020 (1 page).

Umba Sapphire Baby Teardrop Fringe Hoops(18k) | TalismanUnlimited.com, <https://www.talismanunlimited.com/products/umba-sapphire-baby-teardrop-fringe-hoops> downloaded from Internet Nov. 2020 (1 page).

Yeslady Tassel Hoop Earrings, Small CZ Rhinestone Dangle Earrings at Amazon.in, <https://www.amazon.in/YESLADY-Tassel-Earrings-Rhinestone-Dangle/dp/B07QZQ14RF> downloaded from Internet Nov. 2020 (1 page).

* cited by examiner

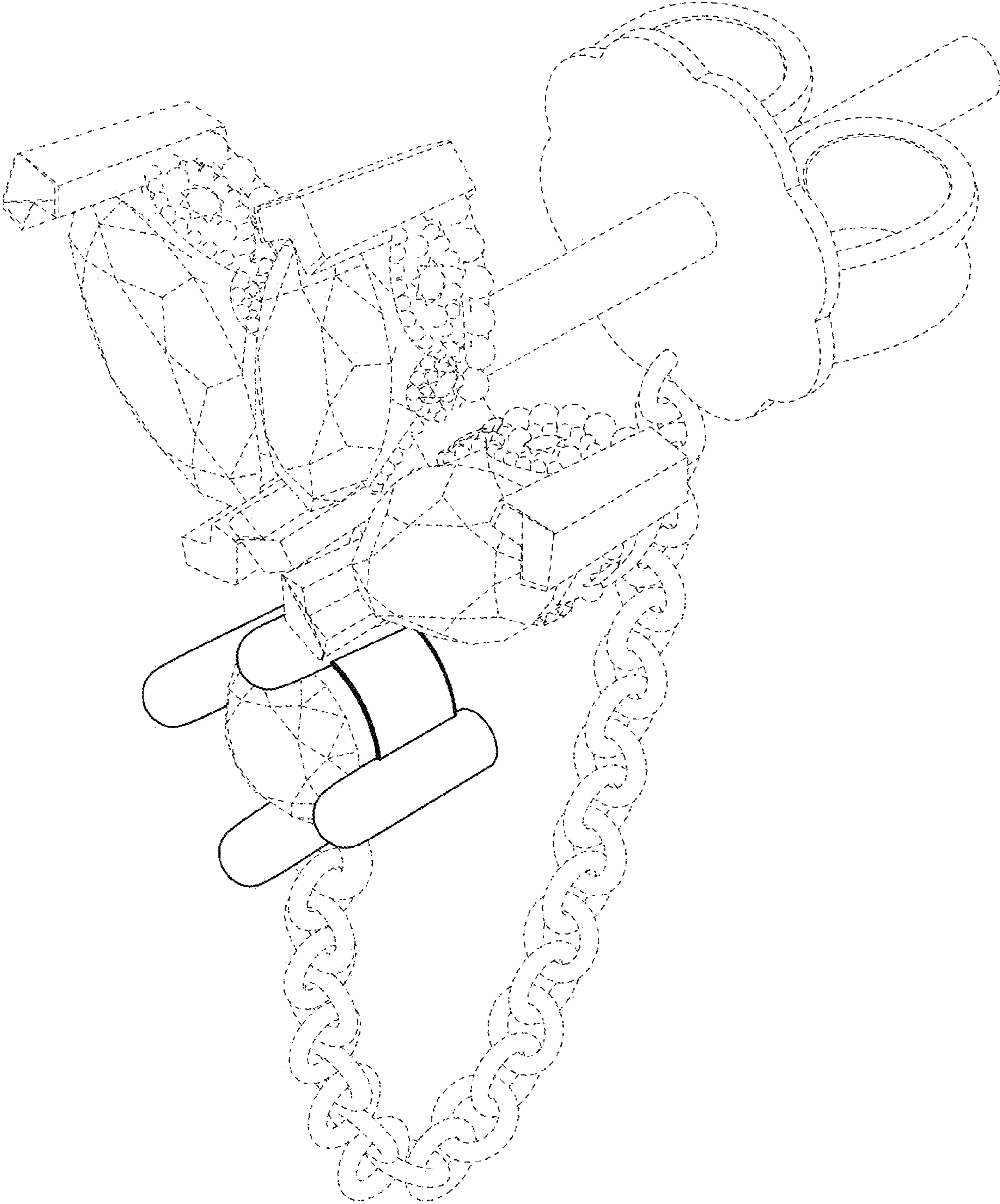


FIG. 1

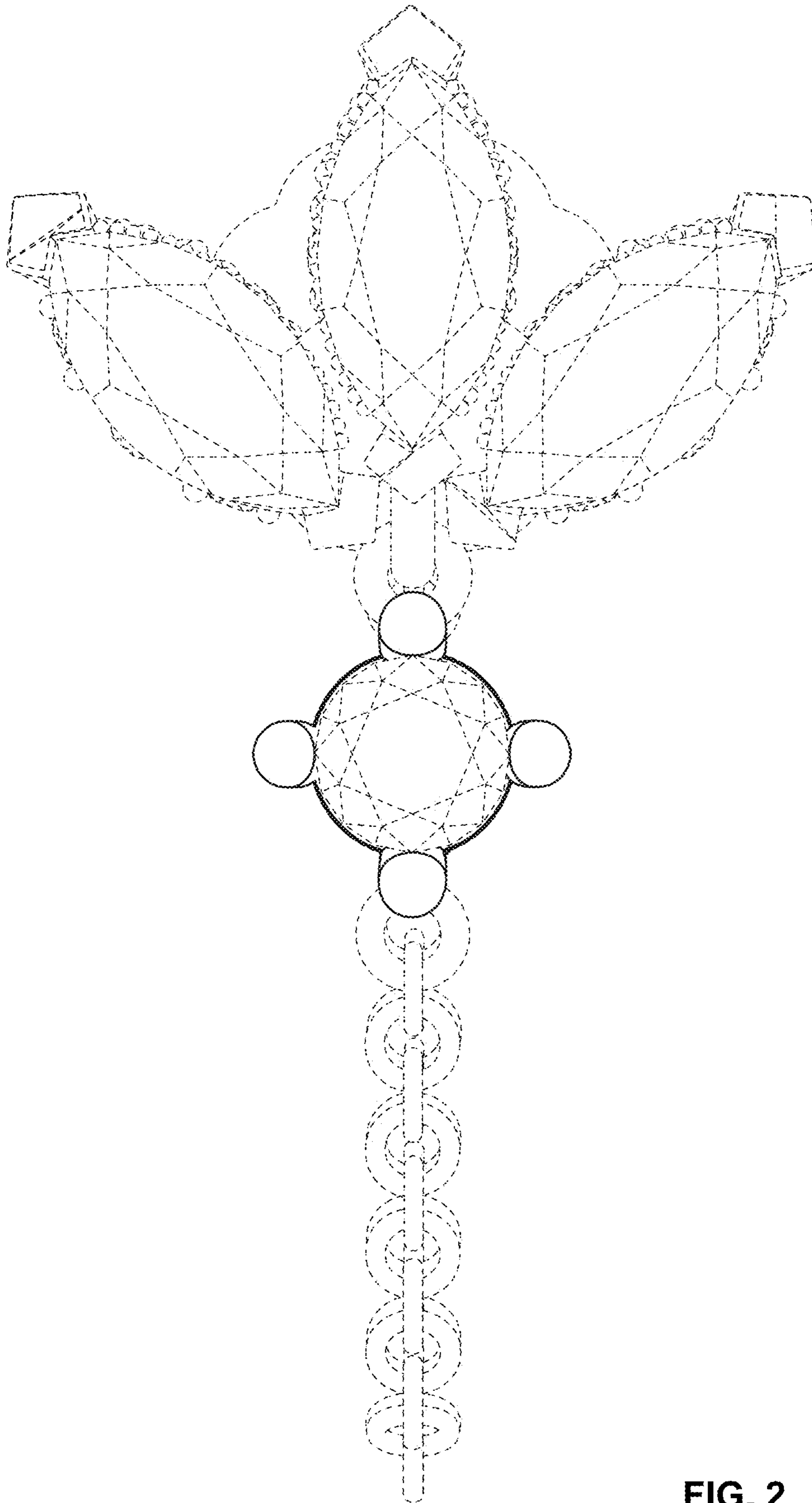


FIG. 2

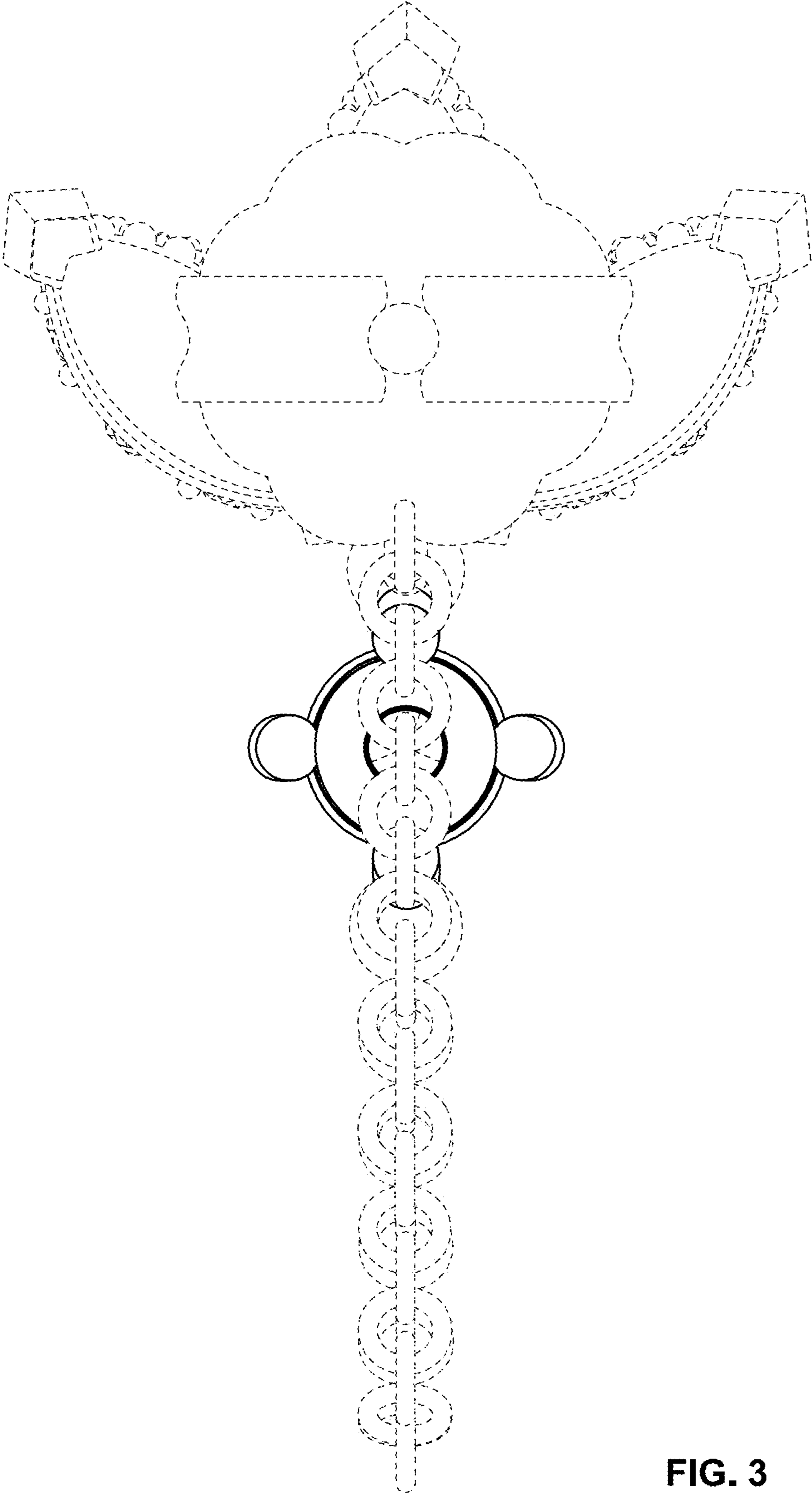


FIG. 3

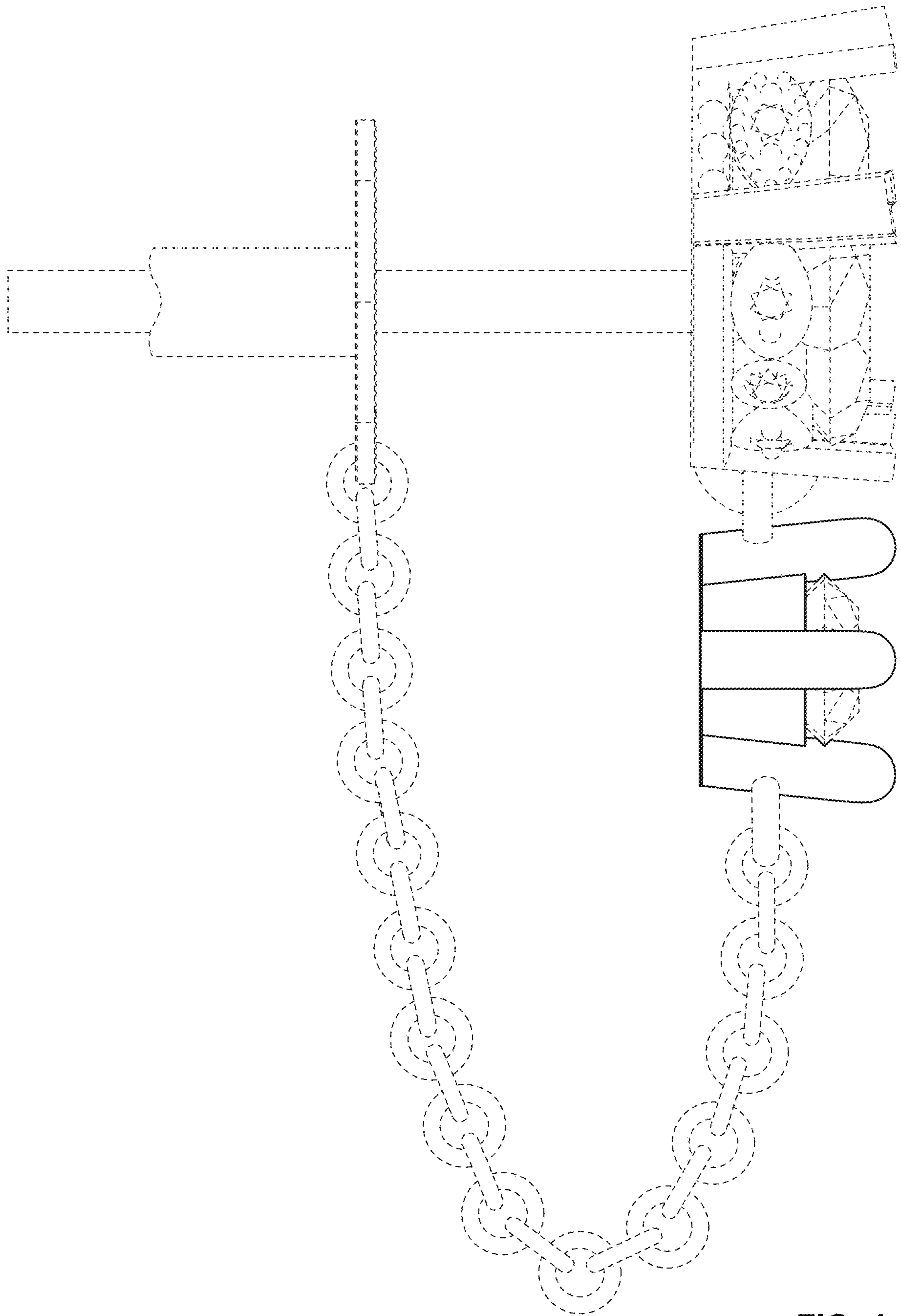


FIG. 4

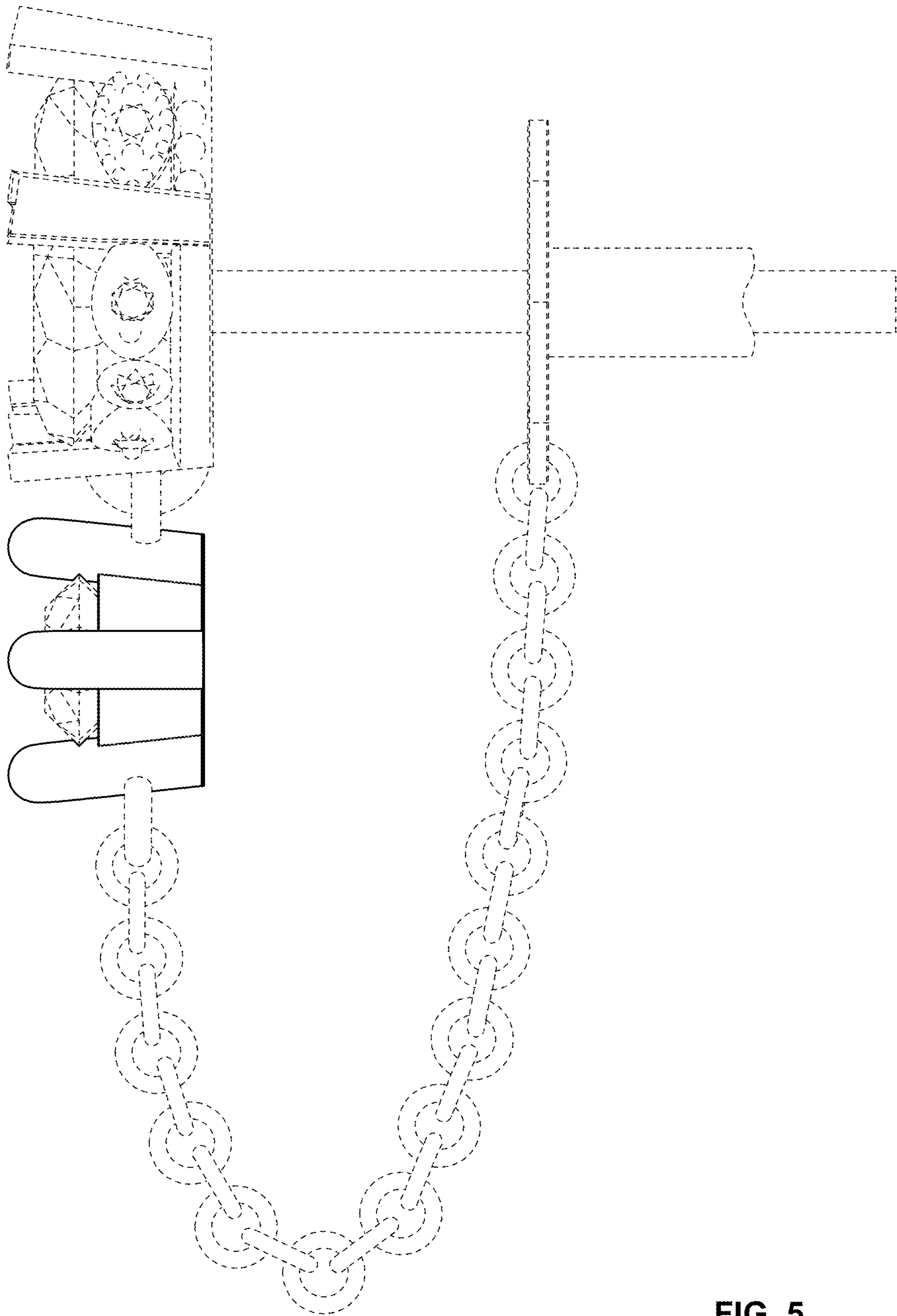


FIG. 5

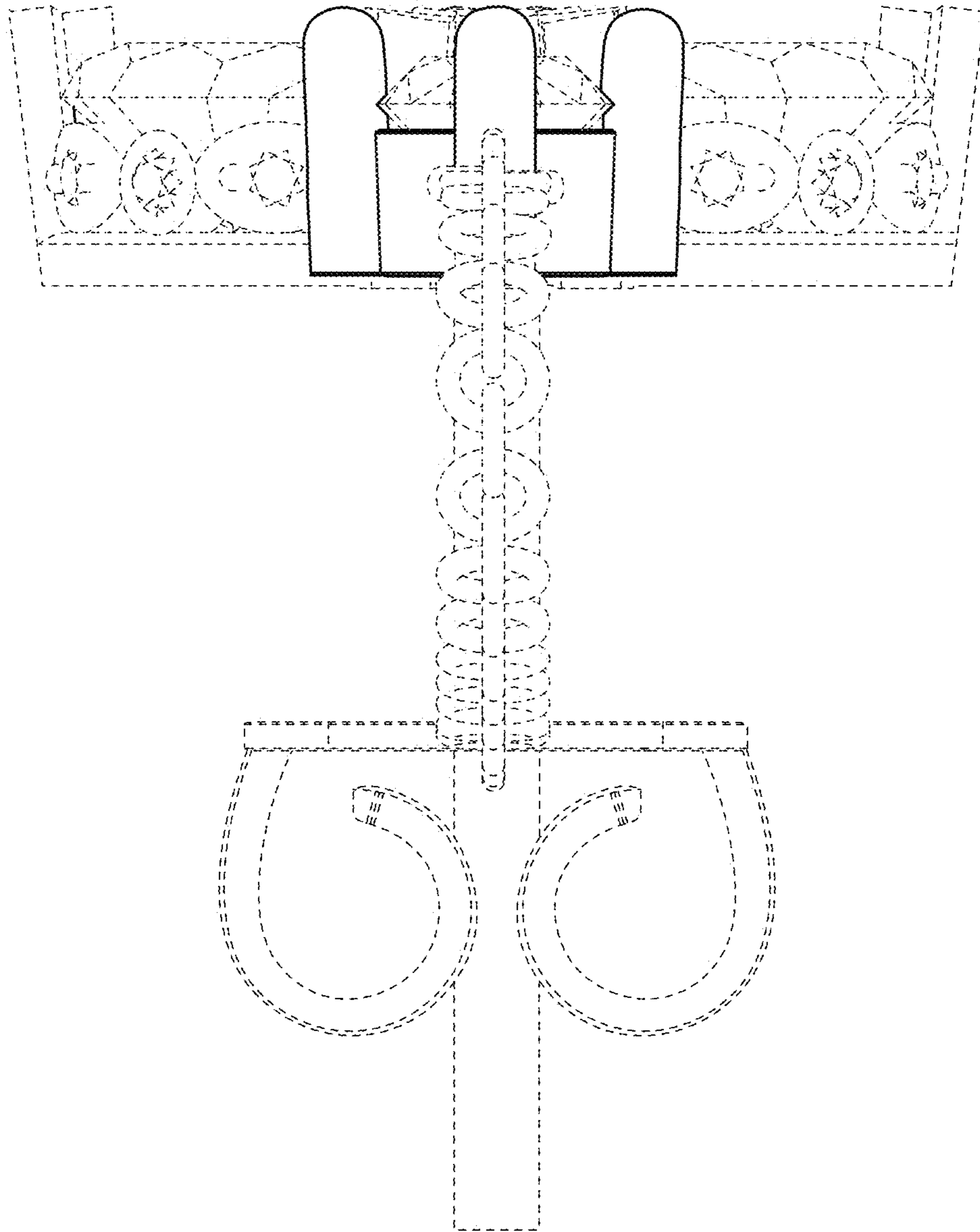


FIG. 6

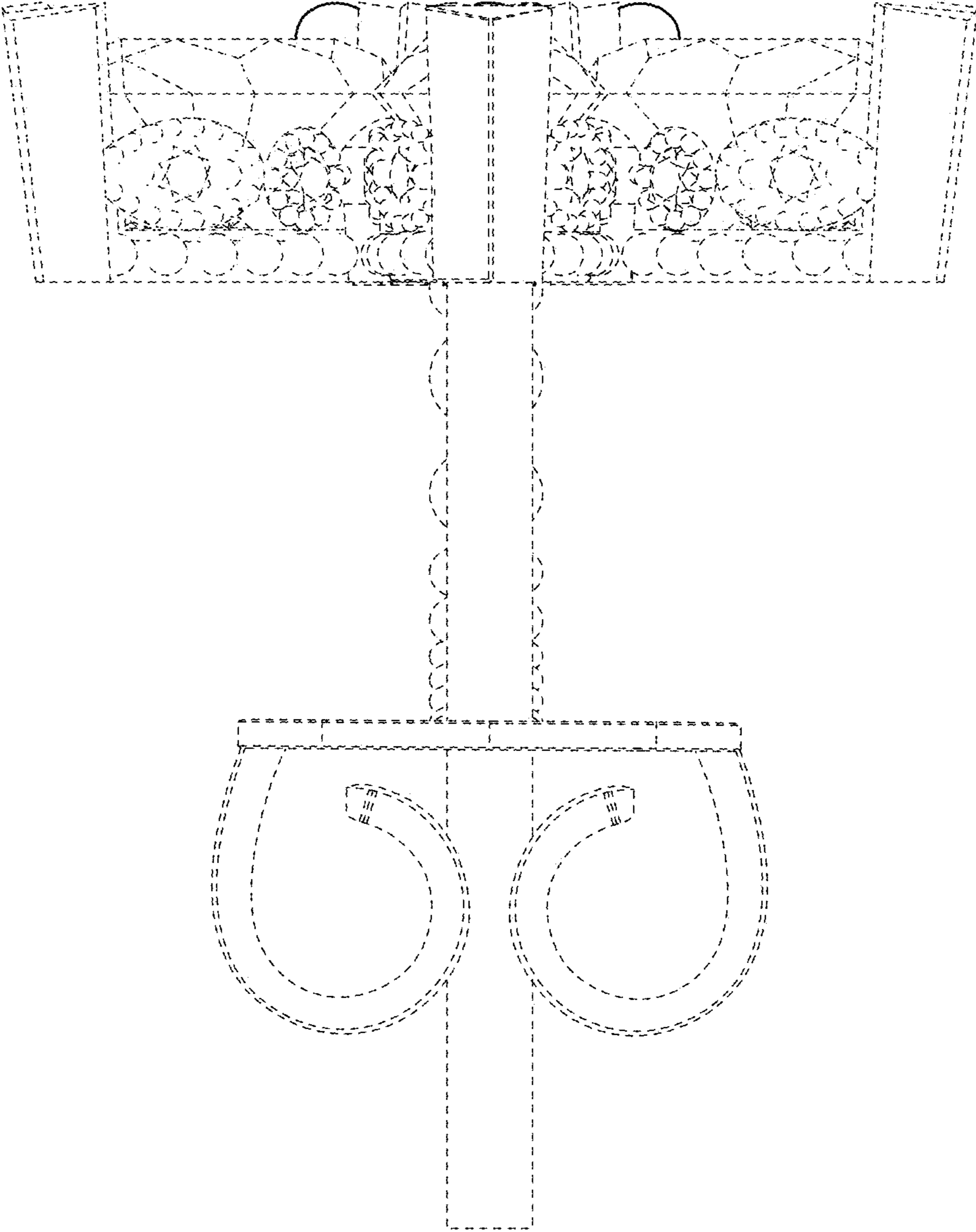


FIG. 7